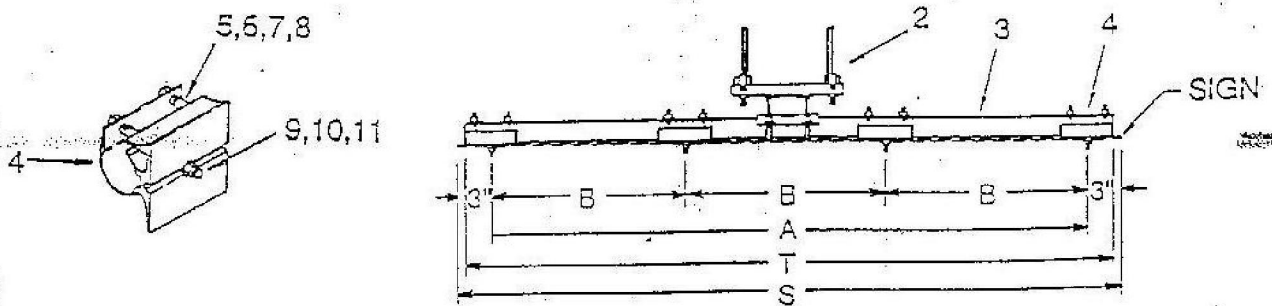
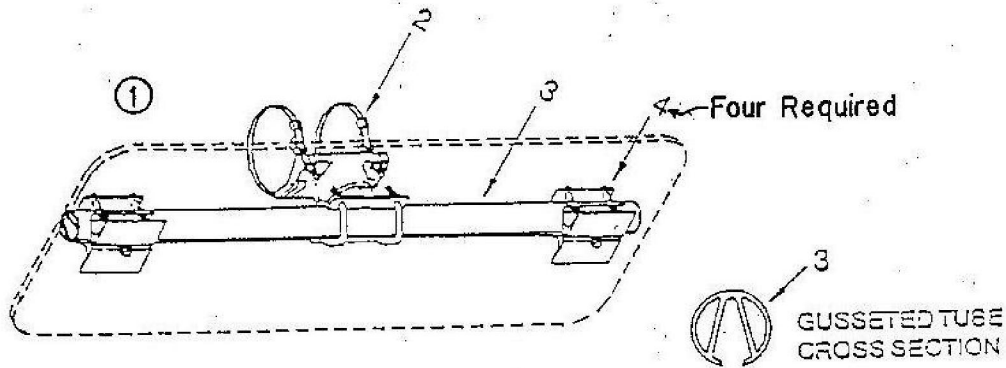


MAST ARM SIGN MOUNT



SIGNS 3'-6" to 8'-0" LONG

SIGN LENGTH S	TUBE LENGTH T	CTC	
		A	B
3'-6"	40"	36"	12"
4'-0"	46"	42"	14"
4'-6"	52"	48"	16"
5'-0"	58"	54"	18"
5'-6"	64"	60"	20"
6'-0"	70"	66"	22"
6'-6"	76"	72"	24"
7'-0"	82"	78"	26"
7'-6"	88"	84"	28"
8'-0"	94"	90"	30"

ITEM	DESCRIPTION
①	SIGN BRACKET. For Overhead Street Name Signs
2	BRACKET CLAMP KIT
3	GUSSETED TUBE, 1½" x Length (-T)
4	SIGN CLAMP w/ Hardware
5	CARRIAGE BOLT, ½"-20 x 2½"
6	FLATWASHER, ¼"
7	LOCKWASHER, ¼", Stainless
8	NUT, Hex., ½"-20
9	BOLT, Square Hd., 5/16"-18 x 1"
10	FLATWASHER, 5/16"
11	NUT, Hex., 5/16"-18