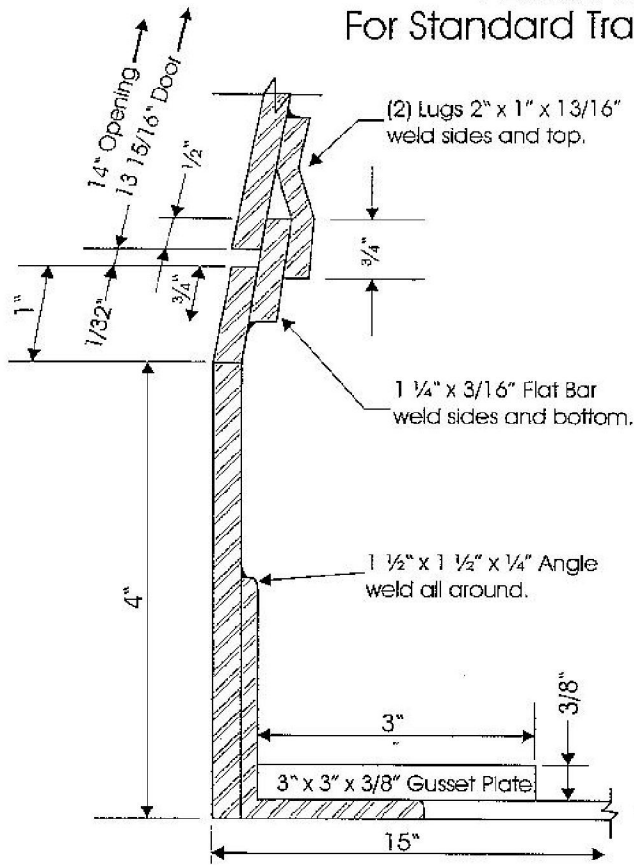


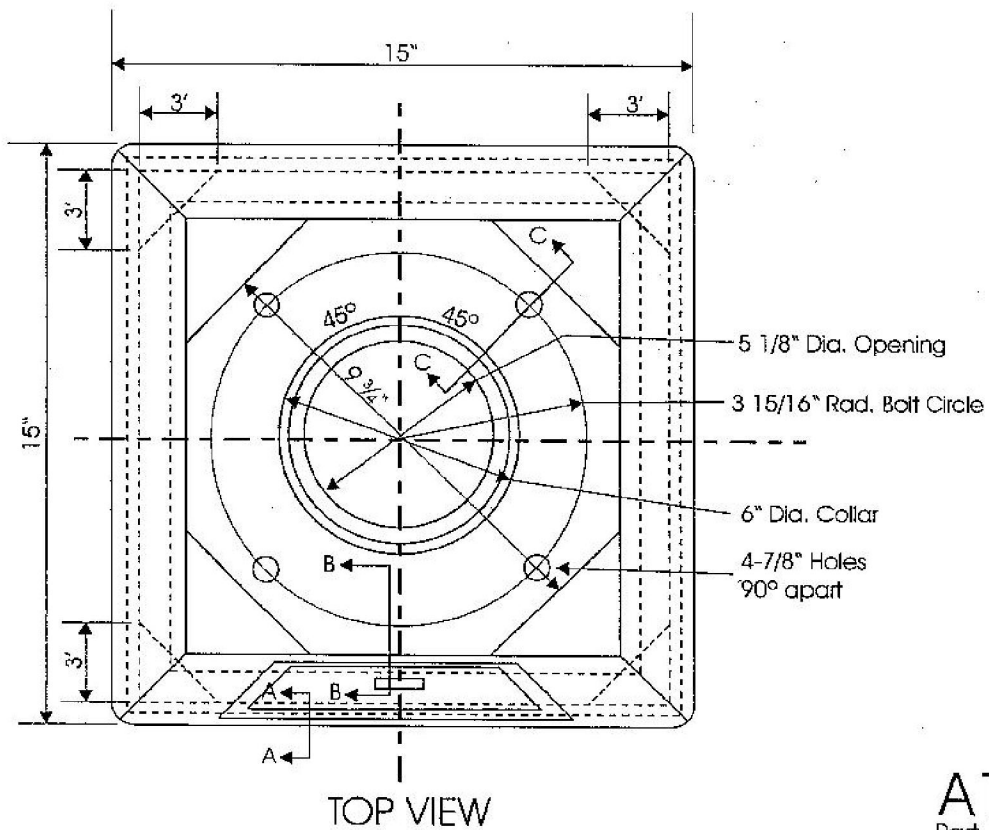
PEDESTAL BASE For Standard Traffic Signal Post



SECTION A-A

NOTES:

- 1) All welds shall be continuous and of Standard Proportions.
- 2) All exterior joints shall be watertight.
- 3) Sides of base shall be fabricated of aluminum alloy 356 (ASTM-SG70A).
- 4) All material & workmanship shall be to the satisfaction of the BID.
- 5) All exterior welds shall be ground smooth after fabrication.
- 6) All surfaces shall be painted in accord. With section 800 subsection 815.61 of the Commonwealth of Massachusetts Standard Specifications for Highways and Bridges.



TOP VIEW

Rev. 3-11-97

A14.1
Part #1