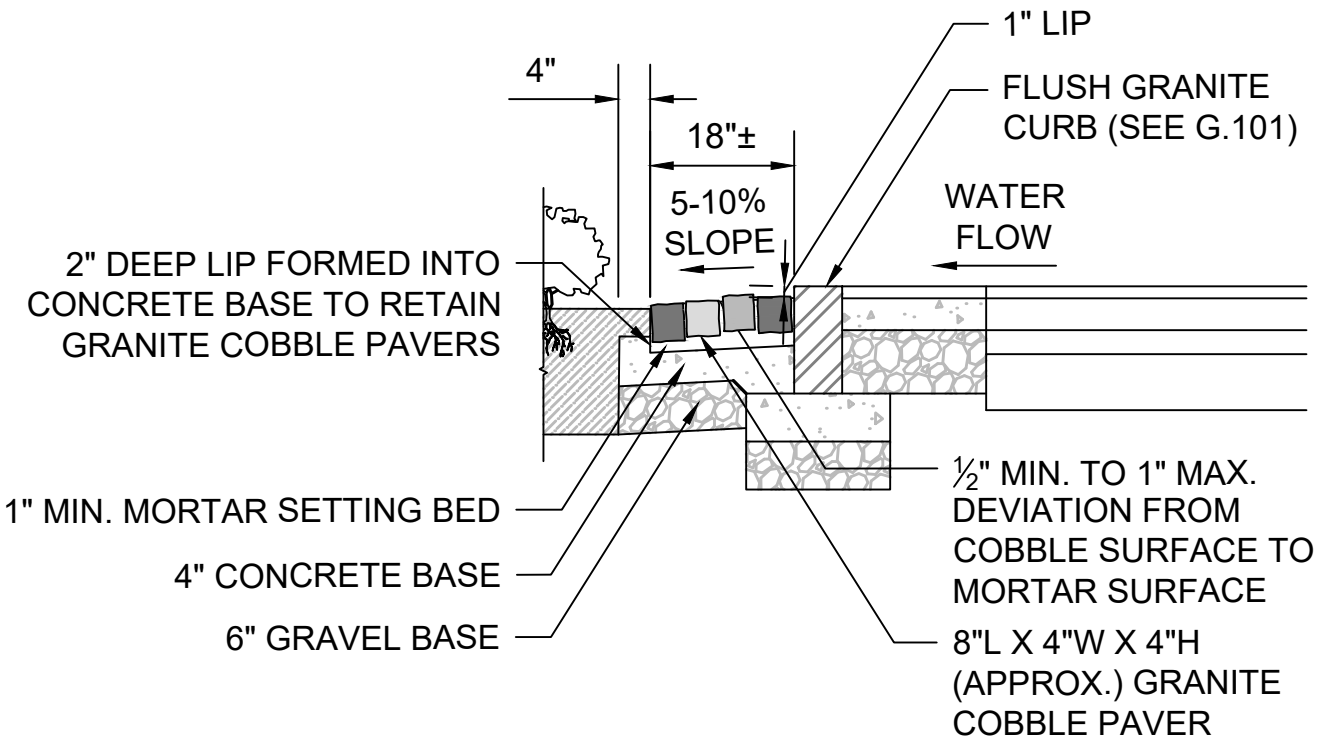


PLAN VIEW



SECTION A-A



**Public Works Department
Engineering Division**

1 CITY HALL SQUARE, ROOM 710
BOSTON, MA 02201
(617) 635-4968

GRANITE COBBLE PAVER
SPLASH PAD

DATE OF ISSUE:
DECEMBER 2024

SCALE: N.T.S.

DETAIL NO.

G.102