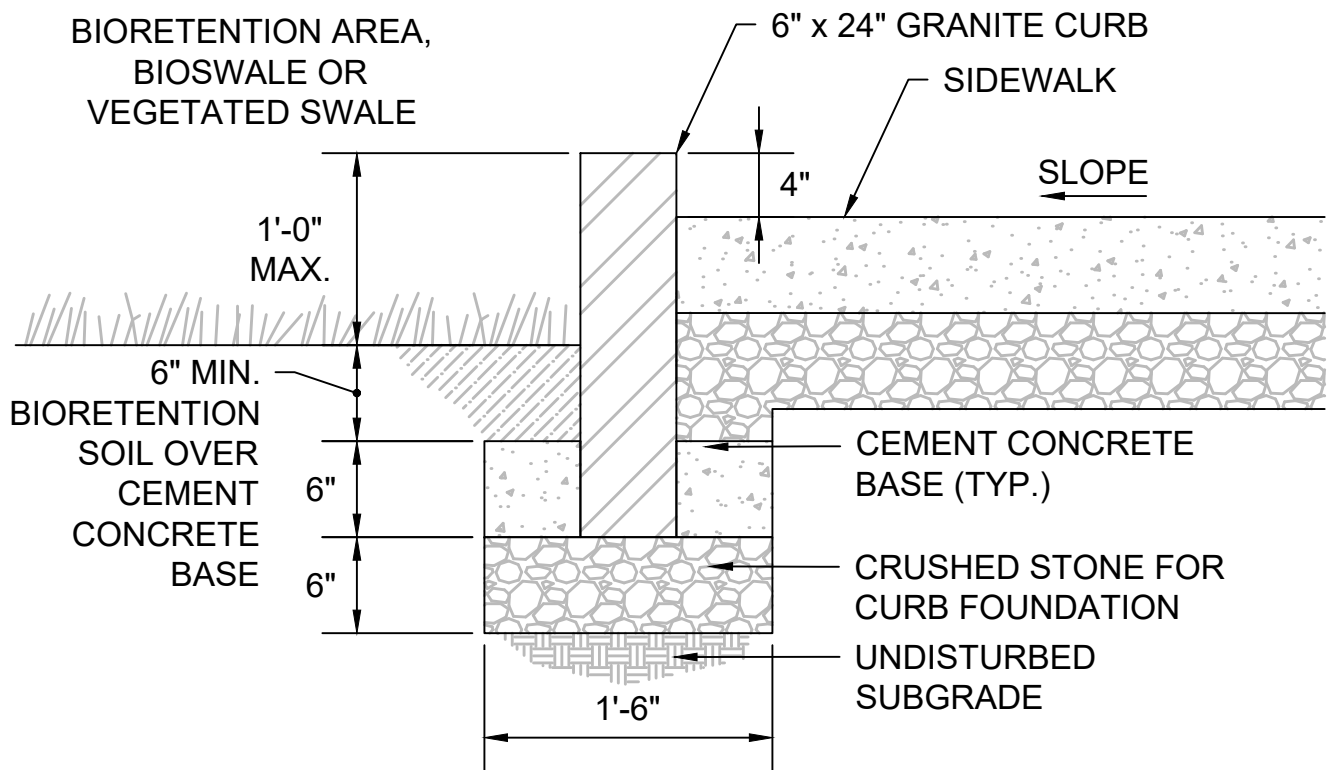


ELEVATION VIEW



SECTION

NOTES:

1. PROVIDE 4" BREAKS IN REVEAL AT 6'-0" O.C. TO ALLOW FOR SIDEWALK RUNOFF INTO BIORETENTION AREAS (UNLESS NOTED OTHERWISE ON THE PLANS).



**Public Works Department  
Engineering Division**

1 CITY HALL SQUARE, ROOM 710  
BOSTON, MA 02201  
(617) 635-4968

GRANITE CURB FOR  
GREEN INFRASTRUCTURE  
NEAR SIDEWALK

DATE OF ISSUE:  
DECEMBER 2024

SCALE: N.T.S.

DETAIL NO.

G.301