

8" Surface Mount Intercom

Product Specifications

Display

- Brightness: 1500 nit (cd/m²)
- Diagonal length: 8"
- Resolution: 720 × 1280
- Contrast ratio: 1000 (typical)
- Capacitive touch with multi-touch capability
- Anti-reflection and anti-fingerprint coated (anti-UV for the blacked-out portion around the screen)
- Chemical resistant: 26H (hardness)

Features

- Credential reader (RFID, compatible with ButterflyMX Access Control System)
- Wide-angle camera for optimized field of view
- Audio noise cancellation
- Security light
- ADA-compliant help button on bottom of intercom
- Intuitive mounting system design
- Robust aluminum housing with silver powder coating
- Temperature: -40°C ~ +60°C (-40°F ~ +140°F); 5-95% humidity non-condensing
- Wiegand compatibility (coming soon)

Dimensions

- 11.54" H x 5.67" W x 2.43" D (maximum depth)
- Weight (with mounting plate): 4lbs 7oz

Power Requirements

- Intercom input voltage: 9-24VDC (powered by AC power brick)
- DC Output: DC +24V @ 2.08A
- Standby Power Consumption: 12.7W
- Maximum Power Consumption: 34W
- Relay Max Switching Current: 2A (Max Switching Power 62.5VA)
- UPS required, not provided

Network Requirements


- Wired connectivity: Ethernet (Cat 5e/Cat6, minimum bandwidth of 2 Mb/s)
- Wireless: WiFi (802.11ac, 5GHz)
- Alternative connectivity methods: Point-to-point, Cellular router

Certifications

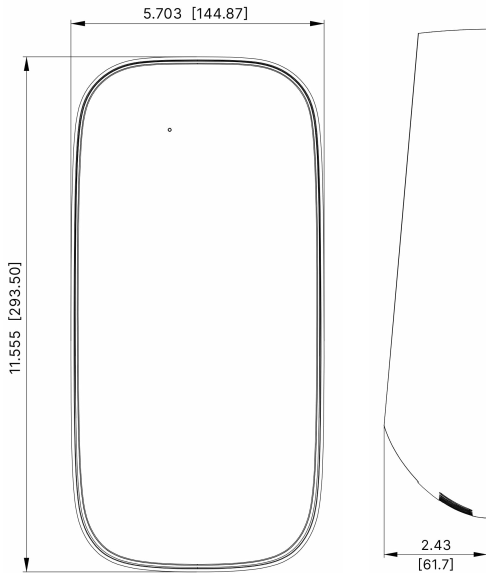
- IP65 dust and water resistance
- FCC Part 15
- IC (Canada)
- CE (EU)
- UL 62368, 50E, 294
- CP65
- TSCA
- IFETEL and NOM
- Materials: REACH, WEEE 3R, and ROHS

8" Surface Mount Intercom

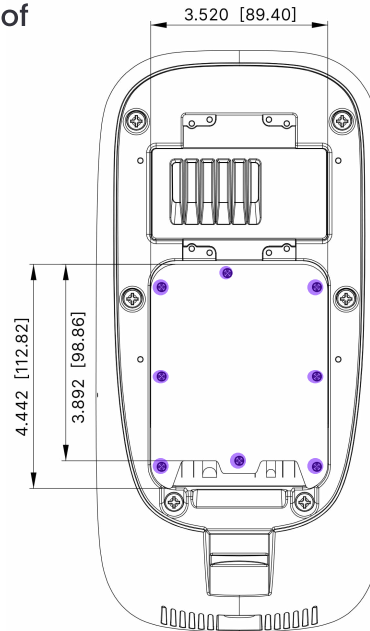
Product Cut Sheet

 Images are not to scale.

Front and Side of Intercom

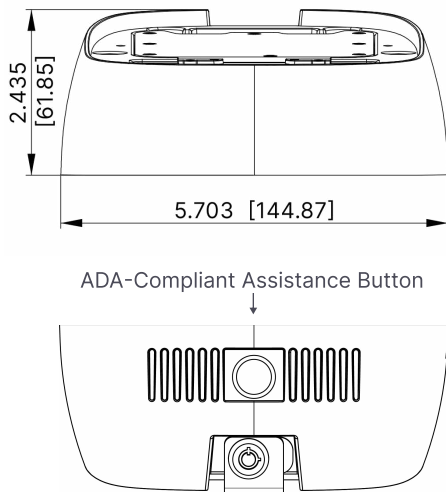


Rear Side of Intercom

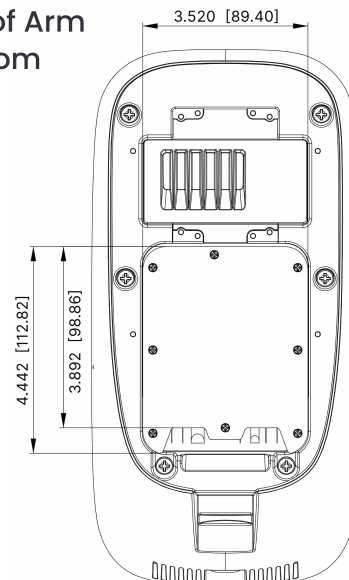


The purple highlighted screws are the removable screws required to access I/O ports.

Top and Bottom Side of Intercom



Rear Side of Arm and Intercom

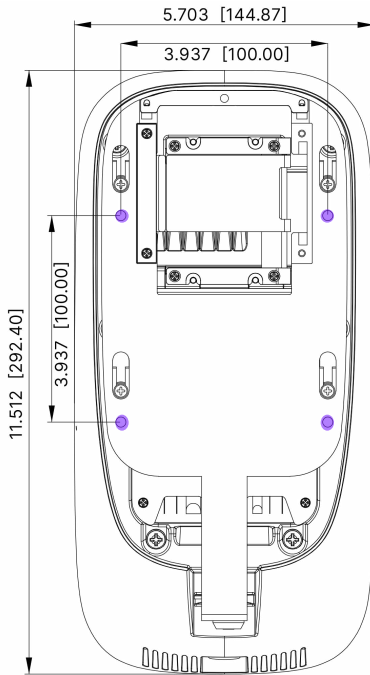


8" Surface Mount Intercom

Product Cut Sheet

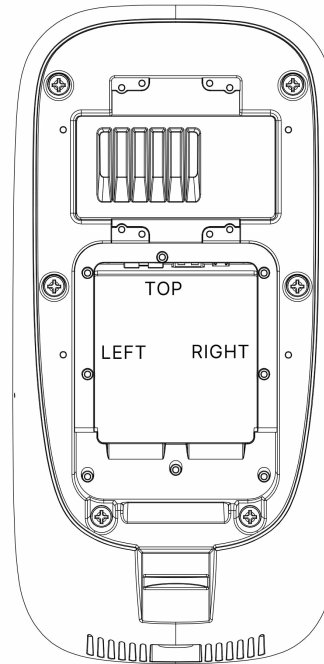
 Images are not to scale.

Back Plate

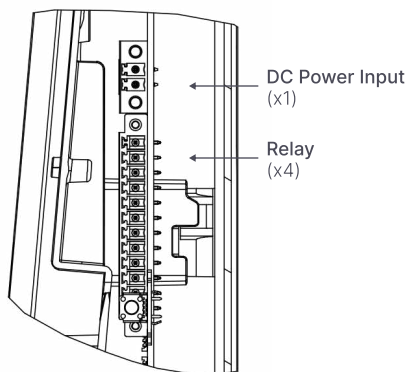


The purple highlighted holes are for mounting.

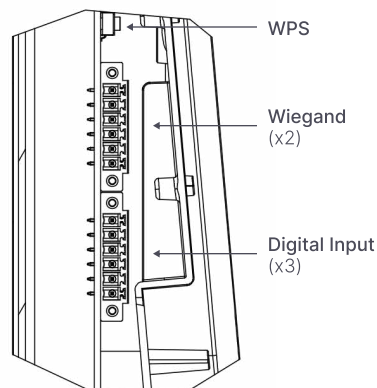
I/O Plate Removed



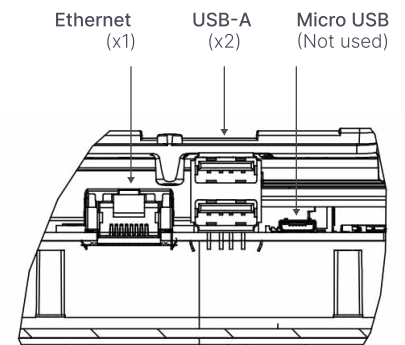
Left Side Interface



Right Side Interface



Top Side Interface

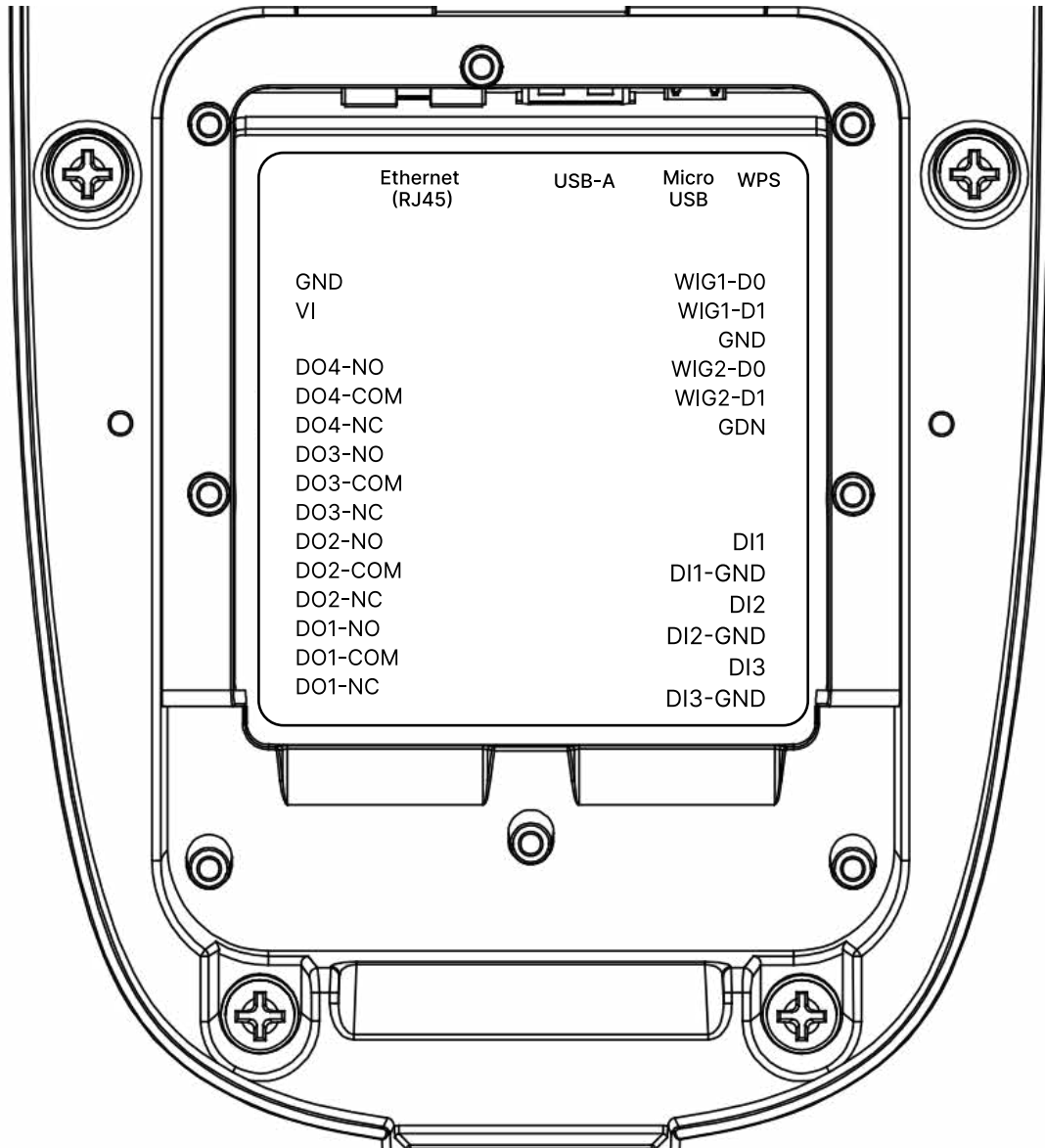


8" Surface Mount Intercom

Product Cut Sheet

 Images are not to scale.

Door Open (Interior Panel Diagram Detail)

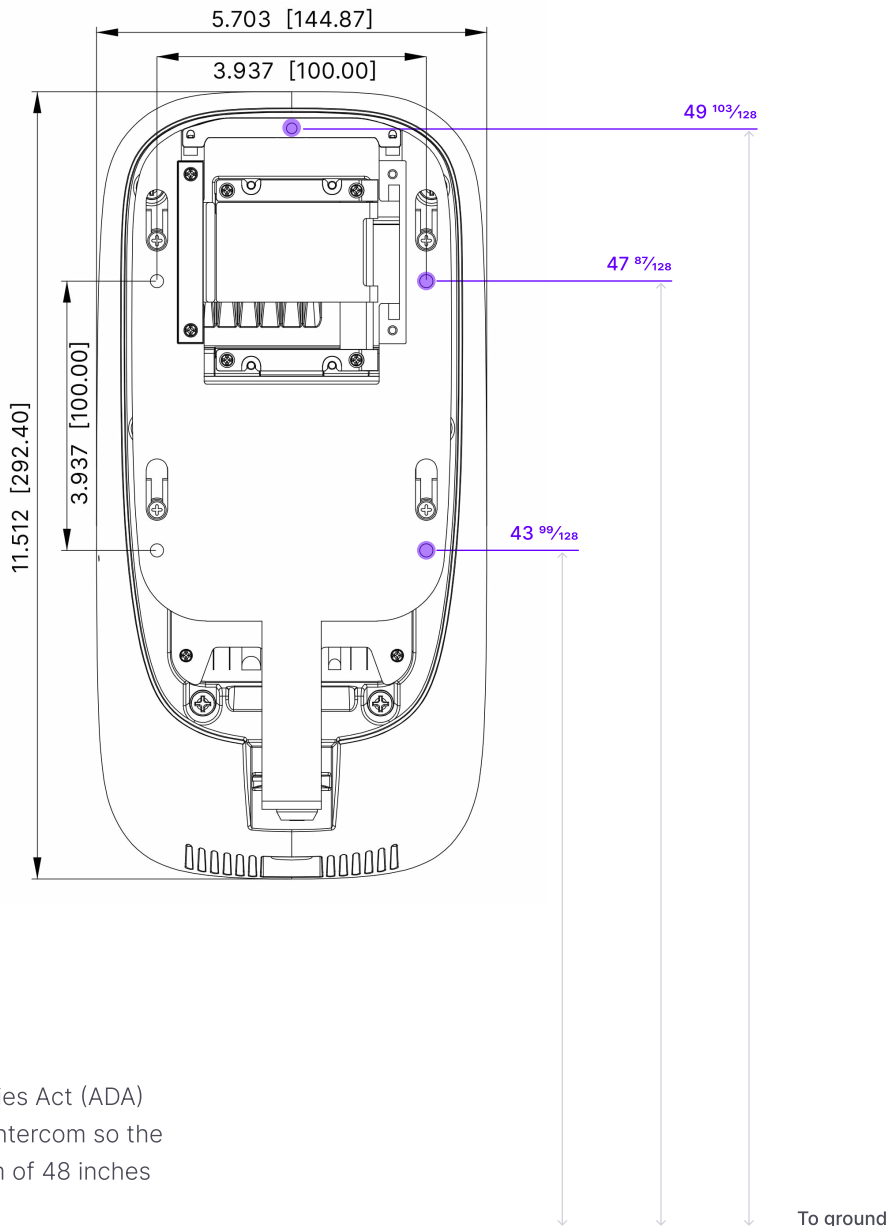


8" Surface Mount Intercom

Product Cut Sheet

 Images are not to scale.

ADA guidelines



The Americans with Disabilities Act (ADA) recommends mounting the Intercom so the touchable area is a maximum of 48 inches from the ground.

ACP Communications Corp
Fire & Security
PO Box 3065
Woburn, MA 01888



Proposal: Street and Company ButterflyMX Installation

Prepared for:

Michael Fay
of
Street and Company

Prepared by:

Matthew Duffy
on
9/27/2024



Proposed

Quote # ACPQ12337

Date: 9/27/2024

Sales Rep. Matt

Quote To:

65 Anderson St
C/O Street and Company
78 Charles St #1
Boston MA 02114
Att. Michael Fay

Property Name:

65 Anderson St
65 Anderson St
Boston Ma 02114

PH. 617-742-3787 FX.

ButterflyMX Installation

Qty	Description	Unit Price	Ext.Price
1	8" SURFACE MOUNT TOUCHSCREEN PANEL & 2 YEAR WARRANTY		
1	POSTAL LOCK RELAY INTEGRATION WITH BUTTERFLYMX		
1	MINI PROGRAMMABLE TIMER,BUZZER OUTPUT,FORM C RELAY		
1	BRASS ENCLOSURE		
1	24/4 CAT5E CMR WHITE		
1	18/2 STR JKT		
1	850VA DESKTOP LCD UPS WITH 12 (6 BATTERY BACKUP) OUTLETS AND 5' CORD		
1	ALTRONIX AL125UL ACCESS CONTROL POWER SUPPLY CHARGER, 2 PTC CLASS 2 OUTPUTS, 12/24VDC @ 1A, 115VAC, BC100 ENCLOSURE		
1	BUTTERFLYMX SYSTEM SET-UP COORDINATION BY ACP		
1	BUTTERFLYMX SHIPPING		
1	ELECTRICAL SUPPLIES FOR INSTALLATION		
	INSTALLATION LABOR: 1 TECH, 1 ASSIST		
	SUBTOTAL		\$8,343.42

SCOPE OF WORK:

PLEASE NOTE, SIGNATURE OF THIS PROPOSAL WILL START THE ORDER PROCESS BUT THE CUSTOMER MUST HAVE BHAC APPROVAL GRANTED. THE CUSTOMER WILL SEND THE 50% DEPOSIT ONLY ONCE BHAC APPROVAL IS GIVEN. IN THE EVENT THE BUTTERFLYMX IS NOT APPROVED THERE IS NO MONEY DUE FROM THE CUSTOMER AND THE ORDER WILL BE CANCELLED.

- ACP SHALL INSTALL AN 8" SURFACE MOUNT BUTTERFLYMX SYSTEM
- ACP SHALL INSTALL A CUSTOM MADE BRASS ENCLOSURE FOR THE BUTTERFLYMX
- ACP SHALL RUN INTERNET WIRE AND POWER TO THE PANEL
- ACP SHALL WORK WITH ISP AND BUTTERFLYMX TO ENSURE THE UNIT IS FULLY FUNCTIONAL
- ACP SHALL INSTALL THE REQUIRED DOOR POWER SUPPLIES
- ACP SHALL INSTALL AN UNINTERRUPTED POWER SUPPLY AND SURGE PROTECTOR
- ACP SHALL INSTALL A NEW POSTAL LOCK WITH TIMER TIED TO THE RELAY BOARD OF THE BUTTERFLYMX
- BUTTERFLY WILL ASSIST WITH THE INITIAL PROGRAMMING.
- ANNUAL SOFTWARE AND SUPPORT SHALL BE PAID DIRECTLY FROM THE CUSTOMER TO BUTTERFLY (NOT INCLUDED IN THIS PROPOSAL)
- BUTTERFLY WILL SET THE CUSTOMER UP WITH SOFTWARE ACCESS TO MAKE CHANGES.

NOTE:

REMOVING THE INTERCOM ENTRY PANEL WILL RENDER THE IN APARTMENT STATIONS INOPERABLE. THIS PROPOSAL DOES NOT INCLUDE THE REMOVAL OF APARTMENT STATIONS.

THIS PROPOSAL ASSUMES THE EXISTING ELECTRIC STRIKE IS IN GOOD WORKING ORDER, IF IT IS NOT CONDUSIVE ACP WILL OFFER A REPLACEMENT FOR AN ADDITIONAL COST.

CUSTOMER MUST OBTAIN INTERNET FOR THE BUILDING THAT HAS AN UPLOAD/DOWNLOAD SPEED OF AT LEAST 2 MB/S. DSL IS NOT RECOMMENDED. IF SHARING THE INTERNET WITH OTHER DEVICES THERE SHOULD BE A MINIMUM BANDWIDTH ESTABLISHED FOR BUTTERFLYMX TO ENSURE REQUIREMENTS ARE MET.

IT IS ASSUMED THAT THE WIRING FOR DOOR RELEASE/OPENER IS IN WORKING ORDER AND SUITABLE FOR THIS INSTALLATION AND THAT THE DOOR STRIKE IS POWERED PROPERLY IF ADDITIONAL WIRING, POWER SUPPLIES, OR DOOR STRIKE REPLACEMENT IS REQUIRED A SEPARATE PROPOSAL SHALL BE PROVIDED.

CUSTOMER MUST SUPPLY 110V OUTLET WITHIN FIVE (5) FEET OF HEAD END EQUIPMENT.

CUSTOMER MUST PROVIDE FREE & CLEAR ACCESS TO ALL AREAS ON THE DAY(S) OF INSTALLATION. ALL ACCESS MUST BE MADE AVAILABLE FOR THE DURATION OF THE PROJECT. ANY RETURN TRIPS DUE TO NO ACCESS SHALL BE BILLED AT AN ADDITIONAL RATE OF \$150.00 PER HOUR, PER TECHNICIAN + TRAVEL.

WHEN WIRING, IT MAY BE NECESSARY TO CUT HOLES IN CEILINGS AND/OR

WALLS. ACP WILL MAKE EVERY EFFORT TO KEEP THE SIZE AND QUANTITY OF THE HOLES TO MINIMUM AND ROUGH-PATCH HOLES. IT IS THE CUSTOMER'S RESPONSIBILITY TO FINISH-PATCH AND PAINT. ACP SHALL NOT BE RESPONSIBLE FOR SUPPLYING PAINT OR WALLPAPER. PIPE MAY BE REQUIRED IN SOME AREAS.

THIS PROPOSAL DOES NOT INCLUDE PERMITS AND FEES, IF APPLICABLE.

PARKING MUST BE PROVIDED.

BUTTERFLY INSTALLATION WARRANTY

UNLIKE OTHER INSTALLATIONS, A BUTTERFLYMX PANEL IS PURCHASED DIRECTLY FROM THE MANUFACTURER BUTTERFLYMX AND INCLUDES THEIR 2-YEAR WARRANTY ON ALL PARTS AND PROGRAMMING. ALL PROGRAMMING SERVICES ARE PROVIDED BY BUTTERFLYMX. REFER TO BUTTERFLYMX.COM/WARRANTY/ FOR ADDITIONAL DETAILS.

ACP COMMUNICATION CORP DBA ACP FIRE & SECURITY IS ACTING AS YOUR INSTALLATION COMPANY. ACP WILL INSTALL THE SUPPLIED BUTTERFLYMX PANEL AND EQUIPMENT. THE ACP 1 YEAR LIMITED WARRANTY FOR OTHER SYSTEM INSTALLATIONS DOES NOT APPLY TO BUTTERFLYMX. ACP WILL PROVIDE A 90 DAY WARRANTY FOR THE INSTALLATION PORTION OF YOUR SYSTEM I.E. WIRING, RELAYS, ADDITIONAL POWER SUPPLIES, AND ADDITIONAL MATERIAL NEEDED BEYOND WHAT IS SUPPLIED BY BUTTERFLYMX TO INSTALL YOUR SYSTEM. THE BUTTERFLYMX PANEL AND EQUIPMENT IS EXCLUDED FROM ANY ACP WARRANTY AND IF REPLACEMENT OR SERVICE IS NEEDED SERVICE CHARGES MAY APPLY.

PAYMENT SHALL BE AS FOLLOWS:

50% DEPOSIT DUE IMMEDIATELY UPON ACCEPTANCE OF THIS PROPOSAL
 50% BALANCE DUE IMMEDIATELY UPON COMPLETION OF WORK
 FINANCE CHARGES SHALL APPLY TO ALL OUTSTANDING INVOICES

Sub Total	\$8,343.42
Sales Tax	\$274.59
Total	\$8,618.01

All information contained within this document is valid for 30 days and is subject to change thereafter. See addendum page for additional terms and conditions. By signing this agreement, customer acknowledges receiving the attached addendum. Warranties do not cover negligence, vandalism, or acts of nature. Warranties do not cover bulbs, fuses, or batteries. ACP shall not honor warranties for damages caused by equipment installed by others. All service labor is warranted for 30 days. All service parts and partial replacement of existing systems are warranted for 90 days. All ACP complete installations are covered for 1 year parts and labor. ACP will assist with manufacturer warranties greater than covered periods; however ACP is not responsible for documenting, labor, shipping, or other charges related to such warranties.

65 Anderson Street, existing intercom





2.25 inches deep

23.25
inches
tall

6 inches wide

7 inches available



65 Anderson Street front exterior



65 Anderson Street front exterior



1 Chestnut Street, front exterior



1 Chestnut Street, front exterior



1 Chestnut Street, current ButterFlyMX Intercom



1 Chestnut Street, current ButterFlyMX Intercom



1 Chestnut Street, current ButterFlyMX Intercom