



208"

13.60"

10.50"



Nan Xiang Express Soup Dumplings

10.00"

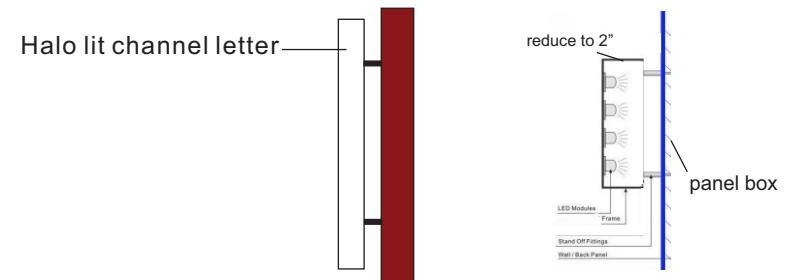
Specifications:

- * 040 aluminum panel w/ Welded 1"x1" Galvanized tubing frame.
- * 040 aluminum panel print in red (brand color Pantone 485C).
- * 040 white aluminum letters boxes 2" return.
- * Internal white led lighting illumination, UL Listed.
- * Letter boxes to be mounted on the panel.

Sign installed in location shown on attached photo.

This sign is intended to be installed in accordance with the requirement of Article 600 of the National Electrical Code and/or other applicable local code. This includes proper grounding and bonding of the sign.

side view:



Halo-Lit Channel Letter Sign

This image is for general reference only, and may not accurately represent the actual product.

Customer: So Lim Ting
 Company: Nan Xiang Express
 Phone: 917-682-0038
 Original: 01/09/2024 Revision:
 Estimate (\$0 Means No Price):

Address: 1750 Washington St.
 City/Town: Boston
 State/Zip: MA 02118
 File Name: Nan Xiang Express South End
 Job No: 05076

The undersigned, in his or her individual and official capacity, hereby certifies that the quoted prices, designs, specifications, terms, and conditions are accepted. New CC Sign is authorized to perform the work as specified.

X _____ Date _____

 Print Name _____

NEW CC SIGN

259 Quincy Ave. Quincy, MA 02169
 TEL: 617.479.8552 / 617-210-7982

Fax: 617.479.4852

ccsignboston@gmail.com

NEW CC Sign ALL RIGHTS RESERVED



Mounting:
 Letters and logo will be double tape and silicon to the wall.
 no holes necessary.

Specifications:

- * 3/4" PVC lettering paint in red (brand color Pantone 485C) and white.
- * Letter to be mounted to the building individual.

Sign installed in location shown on attached photo

PVC Sign:

This image is for general reference only, and may not accurately represent the actual product.

Customer: So Lim Ting
 Company: Nan Xiang Express
 Phone: 917-682-0038
 Original: 01/09/2024 Revision:
 Estimate(\$0 Means No Price):

Address: 1750 Washington St.
 City/Town: Boston
 State/Zip: MA 02118
 File Name: Nan Xiang Express South End
 Job No:

The undersigned, in his or her individual and official capacity, hereby certifies that the quoted prices, designs, specifications, terms, and conditions are accepted. New CC Sign is authorized to perform the work as specified.

X _____ Date _____

 Print Name _____

NEW CC SIGN

259 Quincy Ave. Quincy, MA 02169
 TEL: 617.479.8552 / 617-210-7982
 Fax: 617.479.4852

ccsignboston@gmail.com

NEW CC Sign ALL RIGHTS RESERVED

Existing

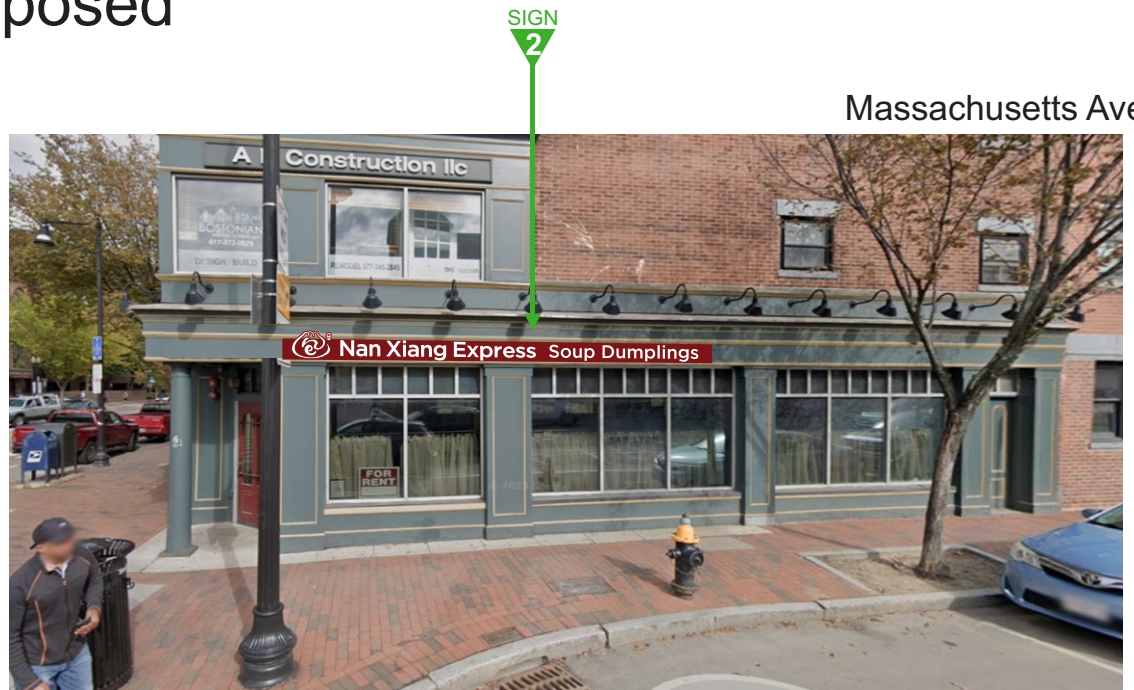


Proposed

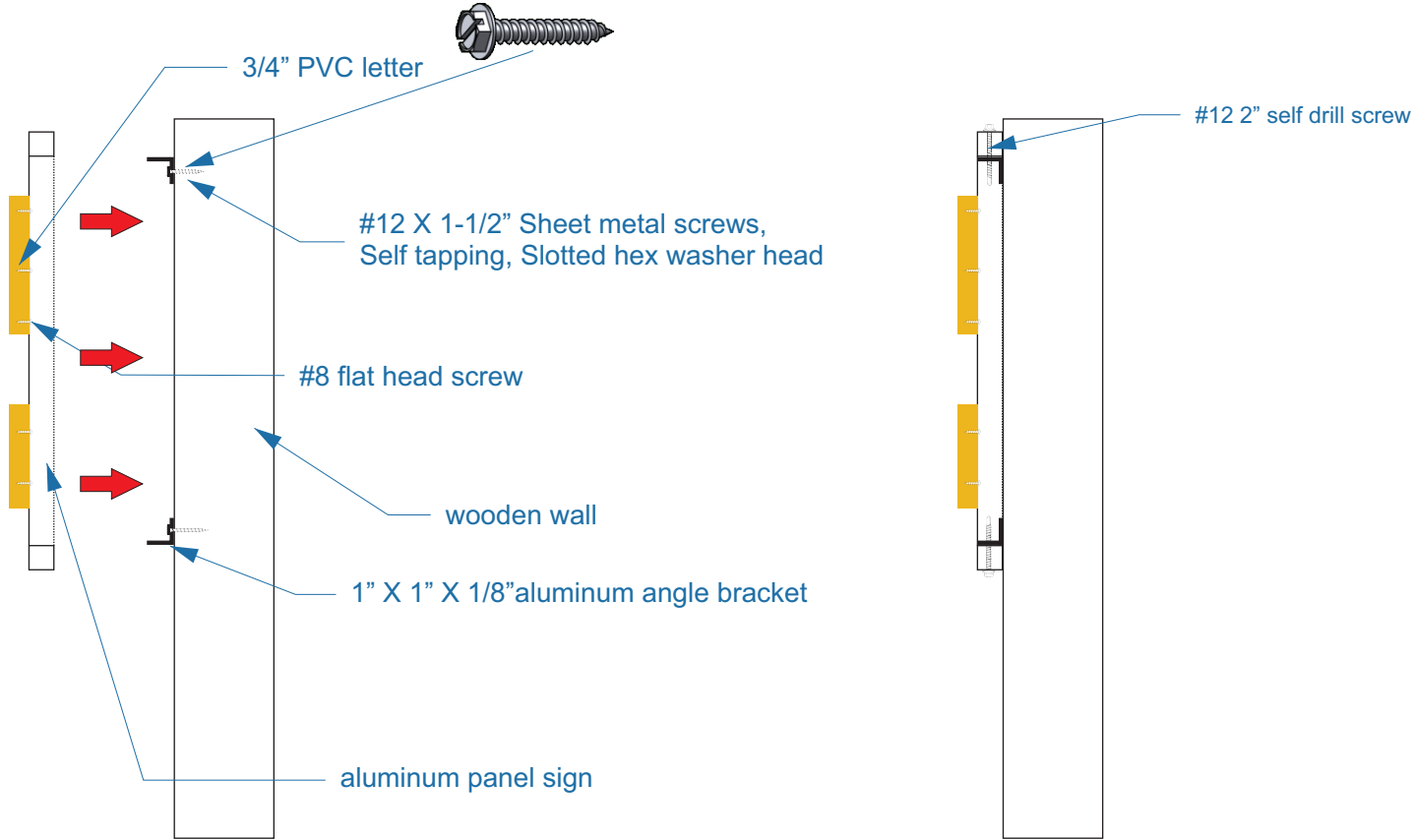
Washington St.



Massachusetts Ave.



Mounting



Each panel sign will be hold by 10 brackets, each bracket will needs to drill 1 hole to the wall for screw
