



#330 SHAWMUT AVE GARDEN LEVEL WINDOWS





**GARDEN LEVEL WINDOWS @332 SHAWMUT**





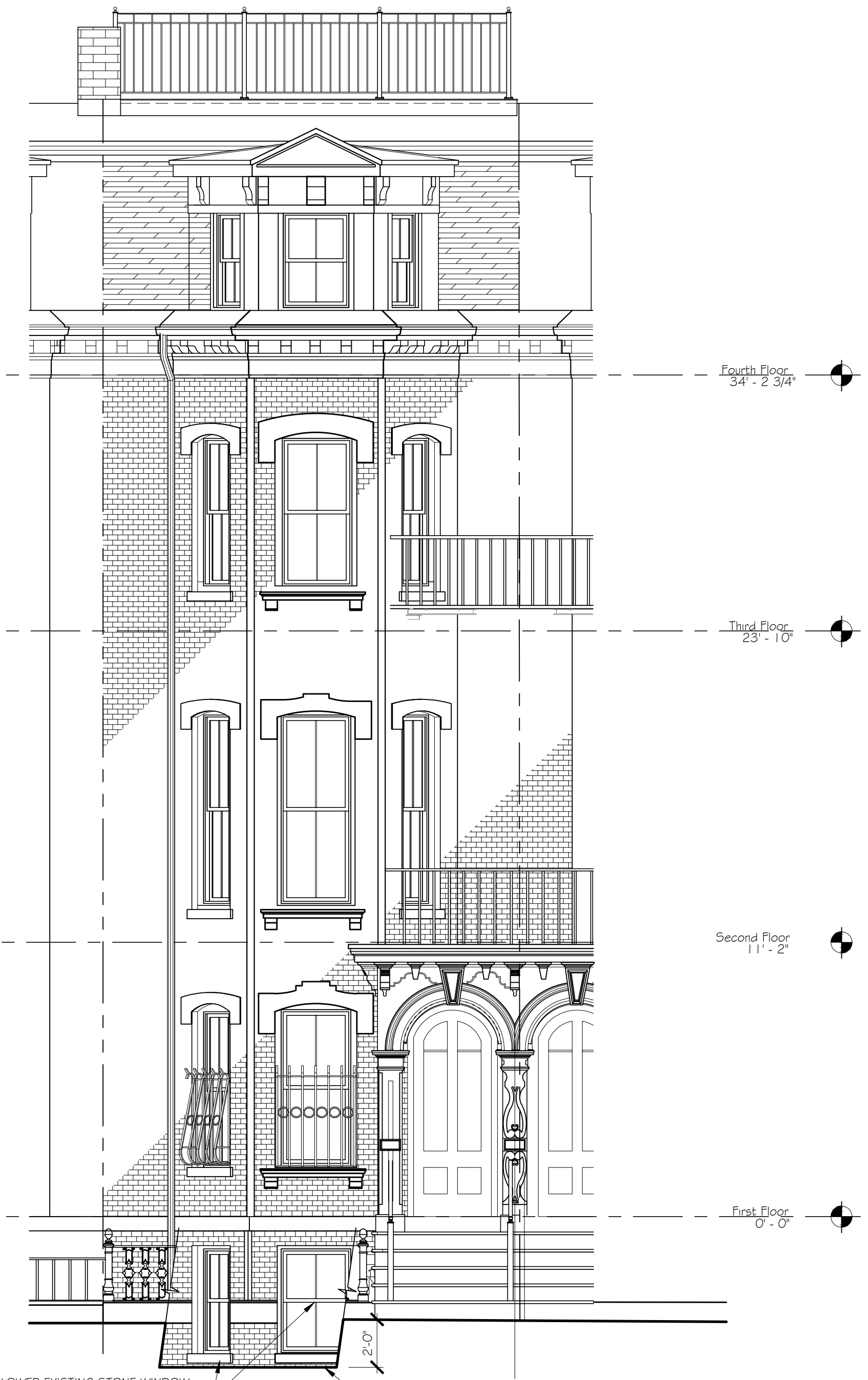
**GARDEN LEVEL WINDOW @332 SHAWMUT**



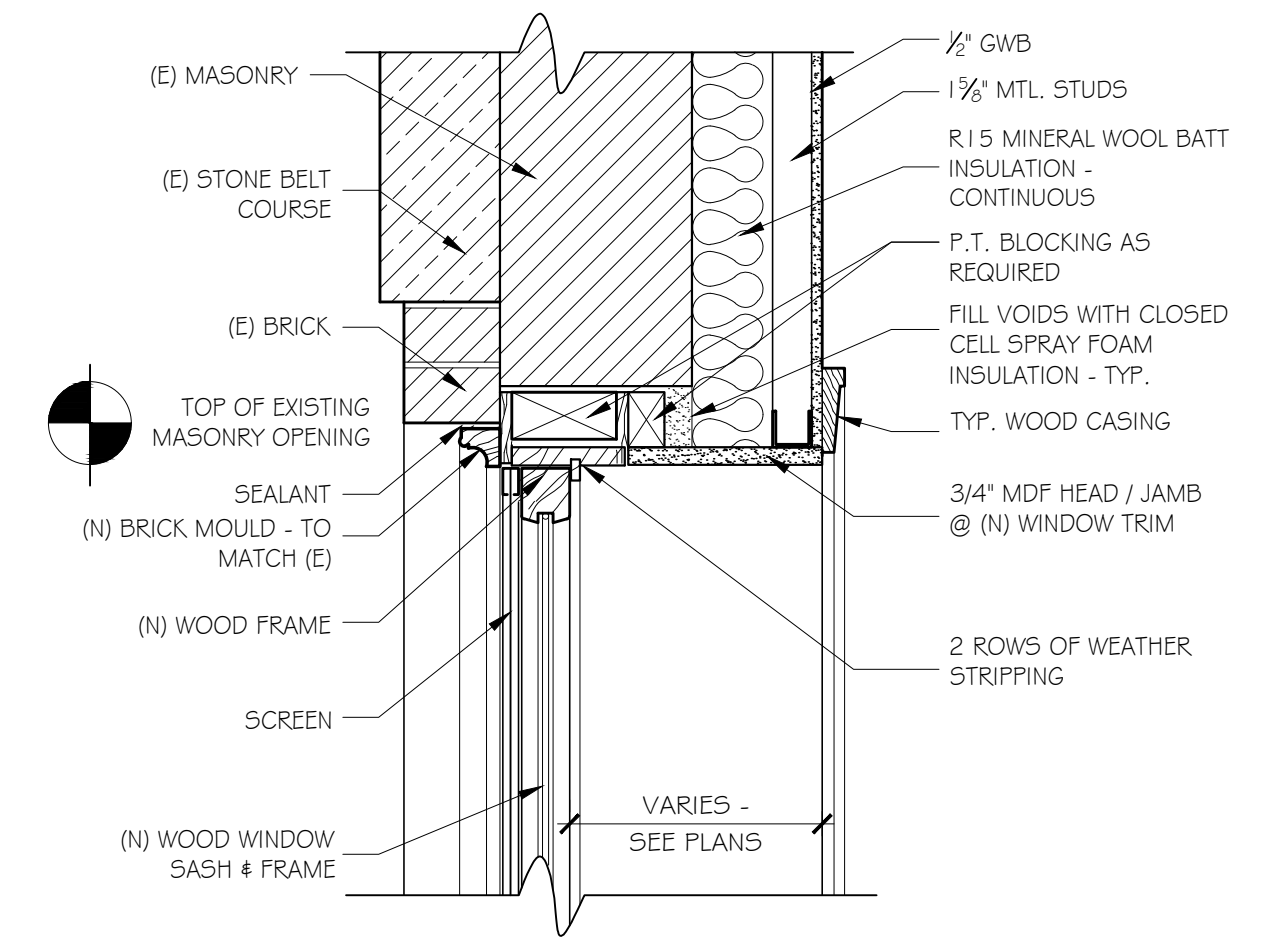


**334 SHAWMUT AVE GARDEN LEVEL WINDOWS**

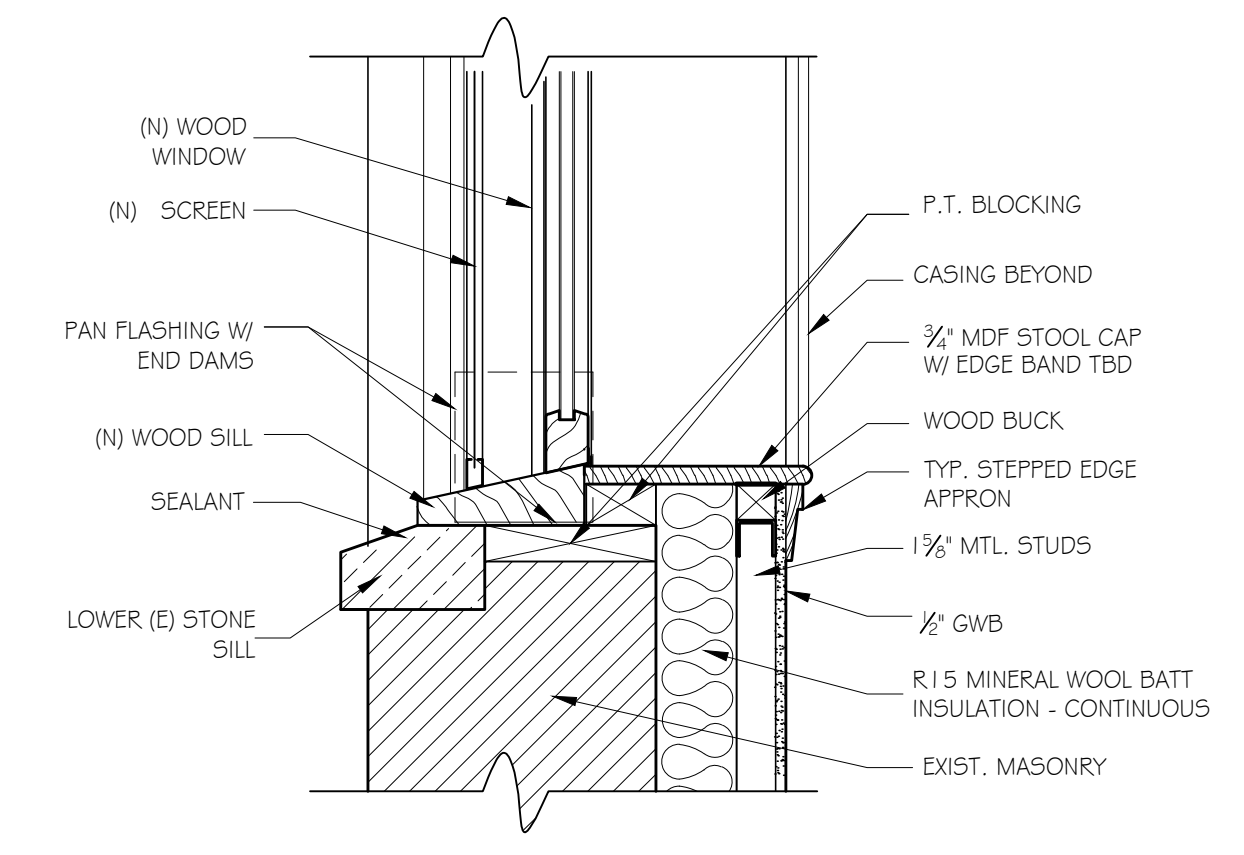




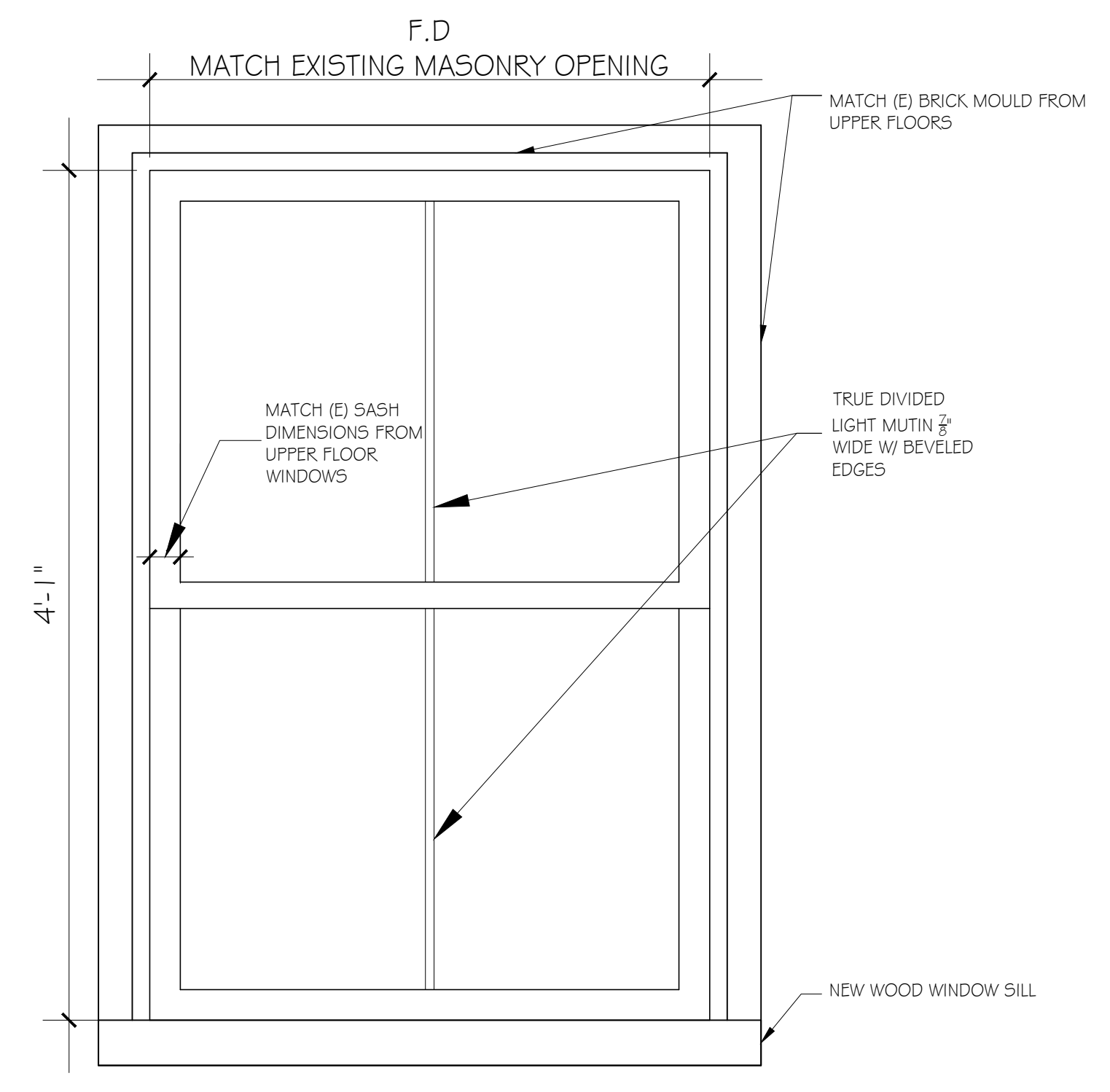
**SOUTH ELEVATION**  
 SCALE: 1/4"=1'-0"



**1 WINDOW HEAD DETAIL @ MODIFIED M.O**  
 SCALE: 1-1/2"=1'-0"



**2 WINDOW SILL DETAIL @ MODIFIED M.O**  
 SCALE: 1-1/2"=1'-0"



**3 WINDOW SILL DETAIL @ MODIFIED M.O**  
 SCALE: 1-1/2"=1'-0"