

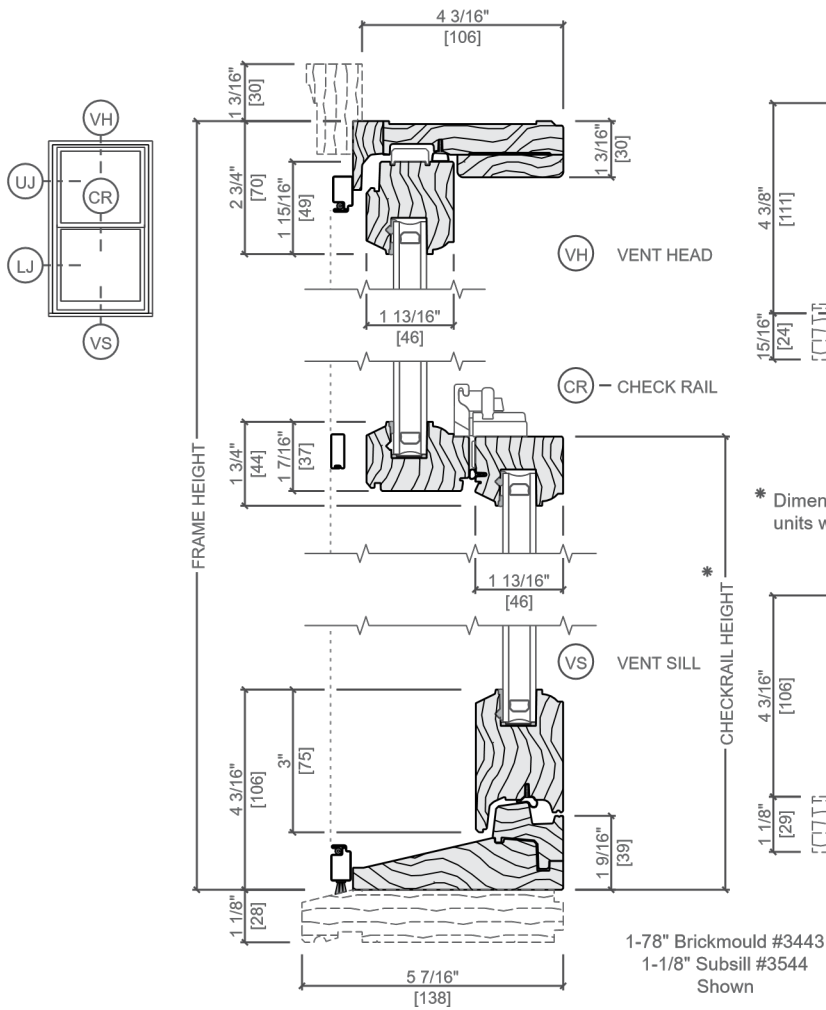


Pella Boston Windows and Doors
45 Fondi Rd.
Haverhill, MA 01832

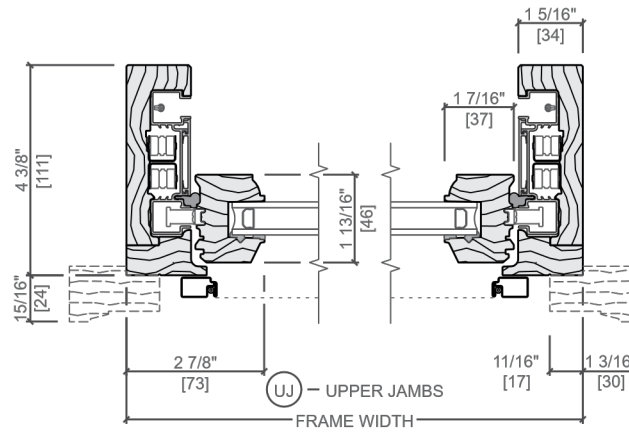
5 Dartmouth Place
Boston, MA

Pella® Reserve™ Traditional Hung Window

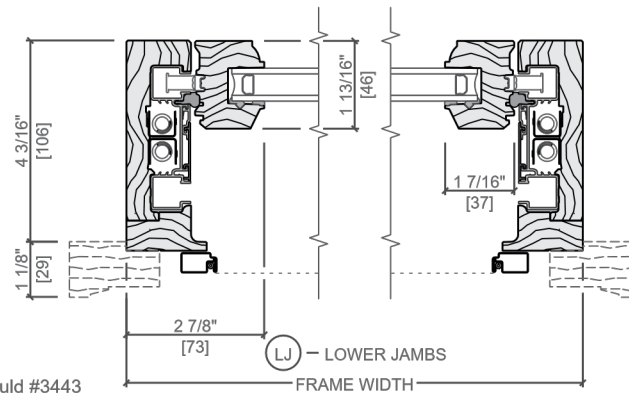
Unit Sections - Wood Exterior Putty Glaze Exterior Profile



OPTIONAL
1-1/8" SUBSILL



* Dimension required for ordering units with unequal sash.



OPTIONAL
1-7/8" SUBSILL













	Deliver To Address	
Customer Information Hediger Homes 4 Dartmouth Pl BOSTON, MA 02116-6106 Contact Name: Primary Phone: (617) 4702303 Mobile Phone: Fax Number: E-Mail: carl@hedigerhomes.com Great Plains #: 1005274097 Customer ID: 17268571 Customer Number: 1009200646 Customer Account: 1005274097		Install Duration:

Delivery Notes: 617 470 2303

Carl Hedigar

Boston

Lot #

Address:

5 Dartmouth Pl

Boston, MA 02116-6106 **County:**

Owner Name:

Hediger Homes

Owner Phone: (617) 4702303

Order Information

Sales Rep Name:Biron, Emile

Business Segment: Trade

Market Segment:Single Family Remodel

Order Type: Non-Installed Sales

Effective Discount: 52.323%

Commission Split:Biron, Emile - 100%

Payment Terms:Deposit/C.O.D.

Event #:

Order Verifier Name:

Scheduled Install Start Date:

Install Crew:

Cust Delivery Date: 7/19/2023

Printed on 12/29/2023

Office Order Copy

Page

9

of

30

Customer: Hediger Homes

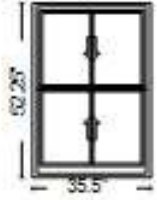
Quote Description: Pella Reserve - Wood Exterior
Order Number: 185EB2527

Quoted Date:9/21/2022
Contract Date:4/3/2023
Booked Date:04/27/2023
Earliest LRD:6/12/2023

Tax Code: MA TAX 6.25
Tax Exempt #:
Customer PO #:

Order Verification Date:
Scheduled Install End Date:

15 1 1



Location: Unit 2 -
Upper-Bay

Rough Opening:
36.25" X 54.125" **Frame**

Size: 35.5" X 52.25" **Final**

Wall Depth:

Frame Perimeter (inches): 176 **Assembly**

Type: Branch Finished **Last Revision Date:**

Outside View	Line #	Quote Qty	PO Qty	Description
--------------	--------	-----------	--------	-------------



Line # 1 **Quote Qty** 1
Location: Unit 2 - Upper-Bay
Rough Opening:
 20.25" X 54.125"
Frame Size: 19.5" X 52.25"
Final Wall Depth:
Frame Perimeter (inches):
 144 **Assembly Type:** Branch
Finished Last Revision Date:

Pella® Reserve, Traditional, Double Hung, 19.5 X 52.25
1: Traditional, Non-Standard Size Non-Standard Size Double Hung, Equal
Frame Size: 19 1/2 X 52 1/4
General Information: Standard, Luxury, Wood, Pine, 4 3/8", 4 3/16"
Exterior Color / Finish: Primed, Primed Wood
Interior Color / Finish: Prefinished White Paint Interior
Sash / Panel: Putty Glaze, Ogee, Standard, No Sash Lugs
Glass: Insulated Dual Low-E Advanced Low-E Insulating Glass
 Argon Non High Altitude
Hardware Options: Spoon-Style Lock, Matte Black, No Window Opening Control Device, No Limited Opening Hardware, No Sash Lift, No Integrated Sensor
Screen: Half Screen, Standard EnduraClad, Black, Standard, InView™
Performance Information: U-Factor 0.28, SHGC 0.28, VLT 0.53, CPD PEL-N-234-01141-00001, Performance Class CW, PG 45, Calculated Positive DP Rating 45, Calculated Negative DP Rating 45, Year Rated 08 | 11, Clear Opening Width 16.125, Clear Opening Height 21.687, Clear Opening Area 2.428492, Egress Does not meet typical United States egress, but may comply with local code requirements
Grille: No Grille,
Wrapping Information: 6" Installation Clips, Branch Supplied, No Exterior Trim, 4 3/16", 4 3/8", Factory Applied, User Defined Rough Opening Clearance, 1", 3/8", 3/8", 7/8", Perimeter Length = 144".

- ** PC Cedar Subsill 178 - 1-7/8 2-Piece Cedar Subsill Qty
- * 2 & sill nose applied
- ** CUSTOM WDW - Interior/Exterior Custom Paint Qty 1
- * Window Per Unit

Outside View	Line #	Quote Qty	PO Qty	Description
--------------	--------	-----------	--------	-------------

Customer: Hediger Homes

Quote Description: Pella Reserve - Wood Exterior

Order Number: 185EB2527

Pella® Reserve, Traditional, Double Hung, 35.5 X 52.25

Sash / Panel: Putty Glaze, Ogee, Standard, No Sash Lugs

Glass: Insulated Dual Low-E Advanced Low-E Insulating Glass Argon Non

1: Traditional, Non-Standard Size Non-Standard Size Double Hung, Equal

High Altitude

Frame Size: 35 1/2 X 52 1/4

Hardware Options: Spoon-Style Lock, Matte Black, No Window Opening

General Information: Standard, Luxury, Wood, Pine, 4 3/8", 4 3/16"

Control Device, No Limited Opening Hardware, No Sash Lift, No Integrated

Exterior Color / Finish: Primed, Primed Wood

Sensor

Interior Color / Finish: Prefinished White

Screen: Half Screen, Standard EnduraClad, Black, Standard, InView™

Paint Interior

Performance Information: U-Factor 0.29, SHGC 0.25, VLT 0.47, CPD

Performance Information: U-Factor 0.29, SHGC 0.25, VLT 0.47, CPD

PEL-N-234-01143-00001, Performance Class CW, PG 45, Calculated

Positive DP Rating 45, Calculated Negative DP Rating 45, Year Rated 08|11,

Clear Opening Width 32.125, Clear Opening Height 21.687,

Clear Opening Area 4.838159, Egress Does not meet typical

United States egress, but may comply with local code

requirements

Grille: ILT, No Custom Grille, 7/8", Traditional (2W1H / 2W1H), Putty Glaze,

Ogee

Wrapping Information: 6" Installation Clips, Branch

Supplied, No Exterior Trim, 4 3/16", 4 3/8", Factory Applied,

User Defined Rough Opening Clearance, 1", 3/8", 3/8", 7/8",

Perimeter Length = 176".

*** 2 PC Cedar Subsill 178 - 1-7/8 2-Piece Cedar Subsill Qty 3 & sill nose applied

*** CUSTOM WDW - Interior/Exterior Custom Paint Qty 1

Window Per Unit

Outside View	Line #	Quote Qty	PO Qty	Description
--------------	--------	-----------	--------	-------------



20 **1** **1**

Location: Unit 2 - Upper-Bay
Rough Opening:
 20.25" X 54.125"
Frame Size: 19.5" X 52.25"
Final Wall Depth:
Frame Perimeter (inches): 144
Assembly Type: Branch
 Finished **Last Revision Date:**

Pella® Reserve, Traditional, Double Hung, 19.5 X 52.25

1: Traditional, Non-Standard Size Non-Standard Size Double Hung, Equal
Frame Size: 19 1/2 X 52 1/4
General Information: Standard, Luxury, Wood, Pine, 4 3/8", 4 3/16"
Exterior Color / Finish: Primed, Primed Wood
Interior Color / Finish: Prefinished White Paint Interior
Sash / Panel: Putty Glaze, Ogee, Standard, No Sash Lugs
Glass: Insulated Dual Low-E Advanced Low-E Insulating Glass Argon Non High Altitude
Hardware Options: Spoon-Style Lock, Matte Black, No Window Opening Control Device, No Limited Opening Hardware, No Sash Lift, No Integrated Sensor
Screen: Half Screen, Standard EnduraClad, Black, Standard, InView™
Performance Information: U-Factor 0.28, SHGC 0.28, VLT 0.53, CPD PEL-N-234-01141-00001, Performance Class CW, PG 45, Calculated Positive DP Rating 45, Calculated Negative DP Rating 45, Year Rated 08|11, Clear Opening Width 16.125, Clear Opening Height 21.687, Clear Opening Area 2.428492, Egress Does not meet typical United States egress, but may comply with local code requirements

Grille: No Grille,

Wrapping Information: 6" Installation Clips, Branch Supplied, No Exterior Trim, 4 3/16", 4 3/8", Factory Applied, User Defined Rough Opening Clearance, 1", 3/8", 3/8", 7/8", Perimeter Length = 144".

* * * 2 PC Cedar Subsill 178 - 1-7/8 2-Piece Cedar Subsill

Qty 2 & sill nose applied

* * * CUSTOM WDW - Interior/Exterior Custom Paint Qty 1

Window Per Unit

30 1 1



Location: Unit 2 -
Lower-Bed

Rough Opening:
20.25" X 70.375" **Frame**

Size: 19.5" X 68.5" **Final**
Wall Depth:

Frame Perimeter (inches): 176 **Assembly**
Type: Branch Finished **Last Revision Date:**

Outside View	Line #	Quote Qty	PO Qty	Description
--------------	--------	-----------	--------	-------------



Line # 1 **Quote Qty** 1
Location:Unit 2-Upper- Kitch
Rough Opening:
 28.25" X 50.375"
Frame Size: 27.5" X 48.5"
Final Wall Depth:
Frame Perimeter (inches):
 152 **Assembly Type:** Branch
Finished Last Revision Date:

Pella® Reserve, Traditional, Double Hung, 27.5 X 48.5
1: Traditional, Non-Standard Size Non-Standard Size Double Hung, Equal
Frame Size: 27 1/2 X 48 1/2
General Information: Standard, Luxury, Wood, Pine, 4 3/8", 4 3/16"
Exterior Color / Finish: Primed, Primed Wood
Interior Color / Finish: Prefinished White Paint Interior
Sash / Panel: Putty Glaze, Ogee, Standard, No Sash Lugs
Glass: Insulated Dual Low-E Advanced Low-E Insulating Glass
 Argon Non High Altitude
Hardware Options: Spoon-Style Lock, Matte Black, No Window Opening Control Device, No Limited Opening Hardware, No Sash Lift, No Integrated Sensor
Screen: Half Screen, Standard EnduraClad, Black, Standard, InView™
Performance Information: U-Factor 0.29, SHGC 0.25, VLT 0.47, CPD PEL-N-234-01143-00001, Performance Class CW, PG 45, Calculated Positive DP Rating 45, Calculated Negative DP Rating 45, Year Rated 08|11, Clear Opening Width 24.125, Clear Opening Height 19.812, Clear Opening Area 3.319198, Egress Does not meet typical United States egress, but may comply with local code requirements
Grille: ILT, No Custom Grille, 7/8", Traditional (2W1H / 2W1H), Putty Glaze, Ogee
Wrapping Information: 6" Installation Clips, Branch Supplied, No Exterior Trim, 4 3/16", 4 3/8", Factory Applied, User Defined Rough Opening Clearance, 1", 3/8", 3/8", 7/8", Perimeter Length = 152".

* * CUSTOM WDW - Interior/Exterior Custom Paint Qty 1
 * Window Per Unit
 * * PC Cedar Subsill 178 - 1-7/8 2-Piece Cedar Subsill Qty
 * 3 & sill nose applied

Outside View	Line #	Quote Qty	PO Qty	Description
--------------	--------	-----------	--------	-------------

Pella® Reserve, Traditional, Double Hung, 19.5 X 68.5

1: Traditional, Non-Standard Size Non-Standard Size Double Hung, Equal

Frame Size: 19 1/2 X 68 1/2

General Information: Standard, Luxury, Wood, Pine, 4 3/8", 4 3/16"

Exterior Color / Finish: Primed, Primed Wood

Interior Color / Finish: Prefinished White Paint Interior

Sash / Panel: Putty Glaze, Ogee, Standard, No Sash Lugs

Glass: Insulated Dual Low-E Advanced Low-E Insulating Glass Argon Non

High Altitude

Hardware Options: Spoon-Style Lock, Matte Black, No Window Opening

Control Device, No Limited Opening Hardware, No Sash Lift, No Integrated

Sensor

Screen: Half Screen, Standard EnduraClad, Black, Standard, InView™

Performance Information: U-Factor 0.28, SHGC 0.28, VLT 0.53, CPD

PEL-N-234-01141-00001, Performance Class CW, PG 45, Calculated

Positive DP Rating 45, Calculated Negative DP Rating 45, Year Rated 08|11,

Clear Opening Width 16.125, Clear Opening Height 29.812, Clear Opening Area 3.338323, Egress Does not meet typical United States egress, but may comply with local code requirements

Grille: No Grille,

Wrapping Information: 6" Installation Clips, Branch Supplied, No Exterior Trim, 4 3/16", 4 3/8", Factory Applied, User Defined Rough Opening Clearance, 1", 3/8", 3/8", 7/8", Perimeter Length = 176".

*** CUSTOM WDW - Interior/Exterior Custom Paint Qty 1
Window Per Unit

*** 2 PC Cedar Subsill 178 - 1-7/8 2-Piece Cedar Subsill Qty 2
& sill nose applied

Outside View	Line #	Quote Qty	PO Qty	Description
--------------	--------	-----------	--------	-------------



35 1 1

Location:Unit 2 -Lower-Bed

Rough Opening:
20.25" X 70.375"

Frame Size: 19.5" X 68.5"

Final Wall Depth:

Frame Perimeter (inches): 176

Assembly Type: Branch

Finished Last Revision Date:

Pella® Reserve, Traditional, Double Hung, 19.5 X 68.5

1: Traditional, Non-Standard Size Non-Standard Size Double Hung, Equal

Frame Size: 19 1/2 X 68 1/2

General Information: Standard, Luxury, Wood, Pine, 4 3/8", 4 3/16"

Exterior Color / Finish: Primed, Primed Wood

Interior Color / Finish: Prefinished White Paint Interior

Sash / Panel: Putty Glaze, Ogee, Standard, No Sash Lugs

Glass: Insulated Dual Low-E Advanced Low-E Insulating Glass Argon Non High Altitude

Hardware Options: Spoon-Style Lock, Matte Black, No Window Opening

Control Device, No Limited Opening Hardware, No Sash Lift, No Integrated Sensor

Screen: Half Screen, Standard EnduraClad, Black, Standard, InView™

Performance Information: U-Factor 0.28, SHGC 0.28, VLT 0.53, CPD

PEL-N-234-01141-00001, Performance Class CW, PG 45, Calculated

Positive DP Rating 45, Calculated Negative DP Rating 45, Year Rated 08|11,

Clear Opening Width 16.125, Clear Opening Height 29.812, Clear Opening Area 3.338323, Egress Does not meet typical United States egress, but may comply with local code requirements

Grille: No Grille,

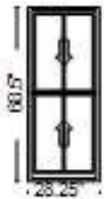
Wrapping Information: 6" Installation Clips, Branch Supplied, No Exterior Trim, 4 3/16", 4 3/8", Factory Applied,

User Defined Rough Opening Clearance, 1", 3/8", 3/8", 7/8",
Perimeter Length = 176".

* * * 2 PC Cedar Subsill 178 - 1-7/8 2-Piece Cedar Subsill
Qty 2 & sill nose applied
* * * CUSTOM WDW - Interior/Exterior Custom Paint Qty 1

Window Per Unit

45 1 1



Location: Unit 2 -
Lower-Closet

Rough Opening:
29" X 70.375" **Frame**

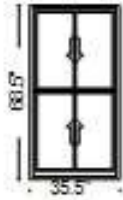
Size: 28.25" X 68.5" **Final**

Wall Depth:

Frame Perimeter (inches): 194 **Assembly**

Type: Branch Finished **Last Revision Date:**

Outside View	Line #	Quote Qty	PO Qty	Description
--------------	--------	-----------	--------	-------------



1 1
Location:Unit 2 -Lower-Bed
Rough Opening:
 36.25" X 70.375"
Frame Size: 35.5" X 68.5"
Final Wall Depth:
Frame Perimeter (inches):
 208 **Assembly Type:** Branch
Finished Last Revision Date:

Pella® Reserve, Traditional, Double Hung, 35.5 X 68.5
1: Traditional, Non-Standard Size Non-Standard Size Double Hung, Equal
Frame Size: 35 1/2 X 68 1/2
General Information: Standard, Luxury, Wood, Pine, 4 3/8", 4 3/16"
Exterior Color / Finish: Primed, Primed Wood
Interior Color / Finish: Prefinished White Paint Interior
Sash / Panel: Putty Glaze, Ogee, Standard, No Sash Lugs
Glass: Insulated Dual Low-E Advanced Low-E Insulating Glass
 Argon Non High Altitude
Hardware Options: Spoon-Style Lock, Matte Black, No Window Opening Control Device, No Limited Opening Hardware, No Sash Lift, No Integrated Sensor
Screen: Half Screen, Standard EnduraClad, Black, Standard, InView™
Performance Information: U-Factor 0.29, SHGC 0.25, VLT 0.47, CPD PEL-N-234-01143-00001, Performance Class CW, PG 45, Calculated Positive DP Rating 45, Calculated Negative DP Rating 45, Year Rated 08|11, Clear Opening Width 32.125, Clear Opening Height 29.812, Clear Opening Area 6.650767, Egress Meets Typical 5.7 sqft (E) (United States Only)
Grille: ILT, No Custom Grille, 7/8", Traditional (2W1H / 2W1H), Putty Glaze, Ogee
Wrapping Information: 6" Installation Clips, Branch Supplied, No Exterior Trim, 4 3/16", 4 3/8", Factory Applied, User Defined Rough Opening Clearance, 1", 3/8", 3/8", 7/8", Perimeter Length = 208".

- * * CUSTOM WDW - Interior/Exterior Custom Paint Qty 1
- * Window Per Unit
- * * PC Cedar Subsill 178 - 1-7/8 2-Piece Cedar Subsill Qty
- * 2 & sill nose applied

Outside View	Line #	Quote Qty	PO Qty	Description
--------------	--------	-----------	--------	-------------

Customer: Hediger Homes

Quote Description: Pella Reserve - Wood Exterior

Order Number: 185EB2527

**Pella® Reserve, Traditional, Double Hung,
28.25 X 68.5**

Sash / Panel: Putty Glaze, Ogee, Standard, No Sash Lugs

Glass: Insulated Dual Low-E Advanced Low-E Insulating Glass Argon Non

**1: Traditional, Non-Standard SizeNon-Standard Size
Double Hung, Equal**

High Altitude

Frame Size: 28 1/4 X 68 1/2

Hardware Options: Spoon-Style Lock, Matte Black, No Window Opening

General Information: Standard, Luxury,
Wood, Pine, 4 3/8", 4 3/16"

Control Device, No Limited Opening Hardware, No Sash Lift, No Integrated

Exterior Color / Finish: Primed, Primed Wood

Sensor

Interior Color / Finish: Prefinished White

Screen: Half Screen, Standard EnduraClad, Black, Standard, InView™

Paint Interior

Performance Information: U-Factor 0.29, SHGC 0.25, VLT 0.47, CPD

PEL-N-234-01143-00001, Performance Class CW, PG 45, Calculated

Positive DP Rating 45, Calculated Negative DP Rating 45, Year Rated 08|11,

Clear Opening Width 24.875, Clear Opening Height 29.812, Clear Opening

Area 5.149816, Egress Meets Typical for ground floor 5.0 sqft (E1) (United

States Only)

Grille: ILT, No Custom Grille, 7/8", Traditional (2W1H / 2W1H), Putty Glaze,

Ogee

Wrapping Information: 6" Installation Clips, Branch

Supplied, No Exterior Trim, 4 3/16", 4 3/8", Factory Applied,

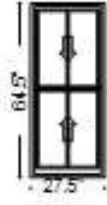
User Defined Rough Opening Clearance, 1", 3/8", 3/8", 7/8",

Perimeter Length = 194".

***** CUSTOM WDW - Interior/Exterior Custom Paint Qty 1
Window Per Unit**

***** 2 PC Cedar Subsill 178 - 1-7/8 2-Piece Cedar Subsill Qty 3
& sill nose applied**

Outside View	Line #	Quote Qty	PO Qty	Description
--------------	--------	-----------	--------	-------------



50 **1** **1**
Location:Unit 1 -Upper
Rough Opening:
 28.25" X 66.375"
Frame Size: 27.5" X 64.5"
Final Wall Depth:
Frame Perimeter (inches): 184
Assembly Type: Branch
Finished Last Revision Date:

Pella® Reserve, Traditional, Double Hung, 27.5 X 64.5
1: Traditional, Non-Standard Size Non-Standard Size Double Hung, Equal
Frame Size: 27 1/2 X 64 1/2
General Information: Standard, Luxury, Wood, Pine, 4 3/8", 4 3/16"
Exterior Color / Finish: Primed, Primed Wood
Interior Color / Finish: Prefinished White Paint Interior
Sash / Panel: Putty Glaze, Ogee, Standard, No Sash Lugs
Glass: Insulated Dual Low-E Advanced Low-E Insulating Glass Argon Non High Altitude
Hardware Options: Spoon-Style Lock, Matte Black, No Window Opening Control Device, No Limited Opening Hardware, No Sash Lift, No Integrated Sensor
Screen: Half Screen, Standard EnduraClad, Black, Standard, InView™
Performance Information: U-Factor 0.29, SHGC 0.25, VLT 0.47, CPD PEL-N-234-01143-00001, Performance Class CW, PG 45, Calculated Positive DP Rating 45, Calculated Negative DP Rating 45, Year Rated 08|11, Clear Opening Width 24.125, Clear Opening Height 27.812, Clear Opening Area 4.659476, Egress Does not meet typical United States egress, but may comply with local code requirements

Grille: ILT, No Custom Grille, 7/8", Traditional (2W1H / 2W1H), Putty Glaze,

Ogee

Wrapping Information: 6" Installation Clips, Branch Supplied, No Exterior Trim, 4 3/16", 4 3/8", Factory Applied, User Defined Rough Opening Clearance, 1", 3/8", 3/8", 7/8", Perimeter Length = 184".

*** 2 PC Cedar Subsill 178 - 1-7/8 2-Piece Cedar Subsill

Qty 3 & sill nose applied

*** CUSTOM WDW - Interior/Exterior Custom Paint Qty 1

Window Per Unit

60 1 1

Location: Unit 1 - Lower

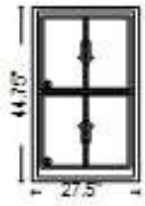
Rough Opening: 28.25" X 46.625" **Frame**

Size: 27.5" X 44.75" **Final**

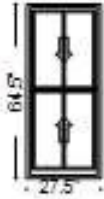
Wall Depth:

Frame Perimeter (inches): 145 **Assembly**

Type: Branch Finished **Last Revision Date:**



Outside View	Line #	Quote Qty	PO Qty	Description
--------------	--------	-----------	--------	-------------



1 1
Location:Unit 1 -Upper
Rough Opening:
 28.25" X 66.375"
Frame Size: 27.5" X 64.5"
Final Wall Depth:
Frame Perimeter (inches):
 184 **Assembly Type:** Branch
Finished Last Revision Date:

Pella® Reserve, Traditional, Double Hung, 27.5 X 64.5
1: Traditional, Non-Standard Size Non-Standard Size Double Hung, Equal
Frame Size: 27 1/2 X 64 1/2
General Information: Standard, Luxury, Wood, Pine, 4 3/8", 4 3/16"
Exterior Color / Finish: Primed, Primed Wood
Interior Color / Finish: Prefinished White Paint Interior
Sash / Panel: Putty Glaze, Ogee, Standard, No Sash Lugs
Glass: Insulated Dual Low-E Advanced Low-E Insulating Glass
 Argon Non High Altitude
Hardware Options: Spoon-Style Lock, Matte Black, No Window Opening Control Device, No Limited Opening Hardware, No Sash Lift, No Integrated Sensor
Screen: Half Screen, Standard EnduraClad, Black, Standard, InView™
Performance Information: U-Factor 0.29, SHGC 0.25, VLT 0.47, CPD PEL-N-234-01143-00001, Performance Class CW, PG 45, Calculated Positive DP Rating 45, Calculated Negative DP Rating 45, Year Rated 08 | 11, Clear Opening Width 24.125, Clear Opening Height 27.812, Clear Opening Area 4.659476, Egress Does not meet typical United States egress, but may comply with local code requirements
Grille: ILT, No Custom Grille, 7/8", Traditional (2W1H / 2W1H), Putty Glaze, Ogee
Wrapping Information: 6" Installation Clips, Branch Supplied, No Exterior Trim, 4 3/16", 4 3/8", Factory Applied, User Defined Rough Opening Clearance, 1", 3/8", 3/8", 7/8", Perimeter Length = 184".

* * PC Cedar Subsill 178 - 1-7/8 2-Piece Cedar Subsill Qty
 * 3 & sill nose applied
 * * CUSTOM WDW - Interior/Exterior Custom Paint Qty 1
 * Window Per Unit

Outside View	Line #	Quote Qty	PO Qty	Description
--------------	--------	-----------	--------	-------------

**Pella® Reserve, Traditional, Double Hung,
27.5 X 44.75**

1: Traditional, Non-Standard Size
Double Hung, Equal

Frame Size: 27 1/2 X 44 3/4

General Information: Standard, Luxury,
Wood, Pine, 4 3/8", 4 3/16"

Exterior Color / Finish: Primed, Primed Wood

Interior Color / Finish: Prefinished White
Paint Interior

Sash / Panel: Putty Glaze, Ogee, Standard,
No Sash Lugs

Glass: Insulated Dual Tempered Low-E
Advanced Low-E Insulating Glass

Argon Non High Altitude

Hardware Options: Spoon-Style Lock,
Matte Black, No Window Opening

Control Device, No Limited Opening
Hardware, No Sash Lift, No Integrated

Sensor

Screen: Half Screen, Standard EnduraClad,
Black, Standard, InView™

Performance Information: U-Factor 0.29, SHGC 0.25, VLT 0.47, CPD

PEL-N-234-01147-00001, Performance Class CW, PG 45, Calculated Positive DP Rating 45, Calculated Negative DP Rating 45, Year Rated 08|11,

Clear Opening Width 24.125, Clear Opening Height 17.937, Clear Opening Area 3.00507, Egress Does not meet typical United States egress, but may comply with local code requirements

Grille: ILT, No Custom Grille, 7/8", Traditional (2W1H / 2W1H),



Putty Glaze,

Ogee

Wrapping Information: 6" Installation Clips, Branch Supplied, No Exterior Trim, 4 3/16", 4 3/8", Factory Applied, User Defined Rough Opening Clearance, 1", 3/8", 3/8", 7/8", Perimeter Length = 145".

***	CUSTOM WDW - Interior/Exterior Custom Paint Window Per Unit	Qty	1
***	2 PC Cedar Subsill 178 - 1-7/8 2-Piece Cedar Subsill & sill nose applied	Qty	3

Outside View	Line #	Quote Qty	PO Qty	Description
--------------	--------	-----------	--------	-------------

1 1 Pella® Reserve, Traditional, Double Hung, 27.5 X 44.75

Unit 1 - Lower

Opening:
28.25" X 46.625"
Size: 27.5" X 44.75"

Full Depth:
Perimeter (inches): 145
Profile Type: Branch
Last Revision Date:

**1: Traditional, Non-Standard Size Non-Standard Size
Double Hung,
Equal
Frame Size:** 27 1/2 X 44 3/4
General Information: Standard, Luxury, Wood, Pine, 4
3/8", 4 3/16"
Exterior Color / Finish: Primed, Primed Wood

Interior Color / Finish: Prefinished White Paint Interior
Sash / Panel: Putty Glaze, Ogee, Standard, No Sash Lugs
Glass: Insulated Dual Tempered Low-E Advanced Low-E Insulating Glass Argon Non High Altitude
Hardware Options: Spoon-Style Lock, Matte Black, No Window Opening Control Device, No Limited Opening Hardware, No Sash Lift, No Integrated Sensor
Screen: Half Screen, Standard EnduraClad, Black, Standard, InView™
Performance Information: U-Factor 0.29, SHGC 0.25, VLT 0.47, CPD PEL-N-234-01147-00001, Performance Class CW, PG 45, Calculated Positive DP Rating 45, Calculated Negative DP Rating 45, Year Rated 08|11, Clear Opening Width 24.125, Clear Opening Height 17.937, Clear Opening Area 3.00507, Egress Does not meet typical United States egress, but may comply with local code requirements
Grille: ILT, No Custom Grille, 7/8", Traditional (2W1H / 2W1H), Putty Glaze, Ogee
Wrapping Information: 6" Installation Clips, Branch Supplied, No Exterior Trim, 4 3/16", 4 3/8", Factory Applied, User Defined Rough Opening Clearance, 1", 3/8", 3/8", 7/8", Perimeter Length = 145".

* * * **CUSTOM WDW - Interior/Exterior Custom Paint Window Per Unit Qty 1**
 * * * **2 PC Cedar Subsill 178 - 1-7/8 2-Piece Cedar Subsill Qty 3**

& sill nose applied

Outside View	Line #	Quote Qty	PO Qty	Description
--------------	--------	-----------	--------	-------------

70 0 4 01HQ0000 - Pella 6" Installation Clip

Location:None Assigned

Rough Opening:
10" X 10.5"

Frame Size: 1" X 1"

Final Wall Depth:

Frame Perimeter (inches):

Assembly Type: Pella
Assembled **Last Revision**

Date:

1: Pella Parts Catalog

Pella Parts Selector: Installation Accessories, Double Hung, Installation Clips / Covers, Pella Reserve, Unhanded, 01HQ0000, 6" Installation Clip, 01HQ0000,

Outside View	Line #	Quote Qty	PO Qty	Description
--------------	--------	-----------	--------	-------------

75 0 2 00NL0000 - Pella 6" Installation Clip, qty 100

Location:None Assigned

Rough Opening:

1: Pella Parts Catalog - Templates Search

Pella Parts Selector: Part Number, 00NL0000, 6" Installation Clip, qty 100,

Frame Size: 0" X 0"

00NL0000,

Final Wall Depth:

Frame Perimeter (inches):

Assembly Type: Pella Assembled

Last Revision Date: