

CHANNEL LETTER APPROVAL FORM

Revision: 3 Date:09/15/2023

ORDER #37793
1 / 3

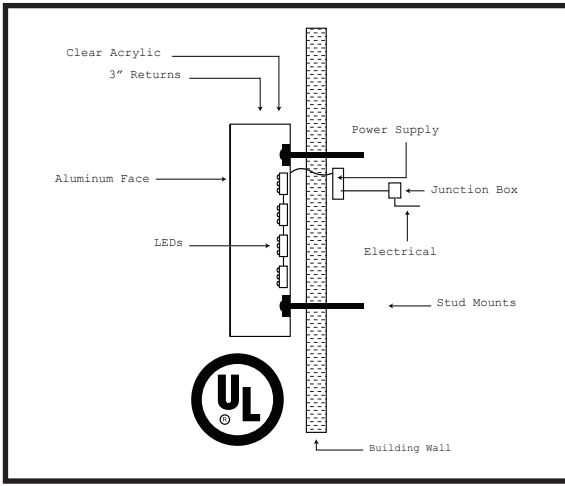
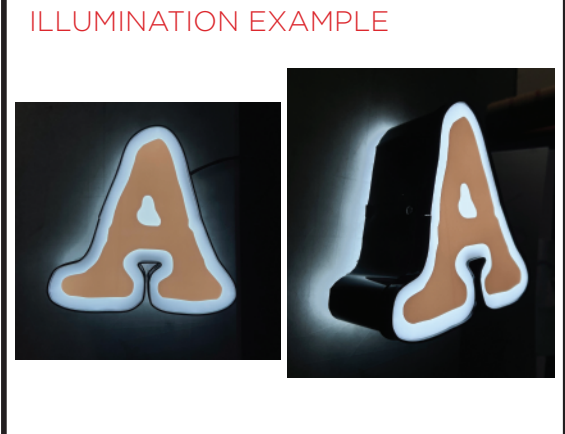
CUSTOMER: NATURAL LIFE
PHONE NUMBER: 800-851-6839
PROJECT: BUILDING SIGNAGE
SALESPERSON: STEPHEN
DESIGNER: KAYLA

CONTACT NAME: GABRIEL SUAREZ
ADDRESS:585 MASSACHUSETTS AVE
BOSTON, MA 02118

SIGN TYPE: Front and Back Lit Channel Letters	DIMENSIONS: See Drawing	LED LAYOUT: Y / <input type="checkbox"/> N / X	UL CERTIFICATION: Y / <input type="checkbox"/> N / X	CRATE: Y / <input type="checkbox"/> N / X	PATTERN: Y / X N / <input type="checkbox"/>
COLORS:	TRIM CAP: Black	RETURNS: Black	RACEWAY: NA	LED COLORS: Pure White 7000K Ph oenix Series PF-2080	
FACES:	ACRYLIC with Translucent Vinyl		LAMINATE: Gloss	MOUNTING METHOD: Stud with 1in Spacers	
QTY:	1	WHIP LENGTH: 8'	RACEWAY SIZES: NA	SPACER MOUNT: 1in	
ADDITIONAL NOTES: Power Supply Hanley LED Superior Series H60W-SD-12					

FILE PATH: P:\N\Natural Life\Boston, MA\Building Signage_37793

Install P/U Ship Del. OS



CROSS-SECTION



PLEASE READ PROOF CAREFULLY. ONCE APPROVED, PINNACLE CUSTOM SIGNS WILL NOT BE FINANCIALLY RESPONSIBLE FOR MISPELLINGS OR INCORRECT LAYOUTS.
Disclaimer: Due to factory color calibration on computer monitors, the colors displayed are not guaranteed to be the actual colors. In order to approve the actual colors, you will need to request a hard-copy proof that will be printed on the actual material used for your project for an additional fee.
Please Note: Our installers are not certified electricians, and therefore, are not responsible for installing the electricity to your new sign. We will mount your sign to the building, but you may require an electrician to connect the electricity to it after installation.

APPROVAL SIGNATURE



 NATURAL LIFE

Commercial Space Available
917-304-1515

178.17 in

Vibrant
Beauty
Salon

585
MASS AV

CHANNEL LETTER APPROVAL FORM

Revision: 3

Date:09/15/2023

ORDER #37793
2 / 3

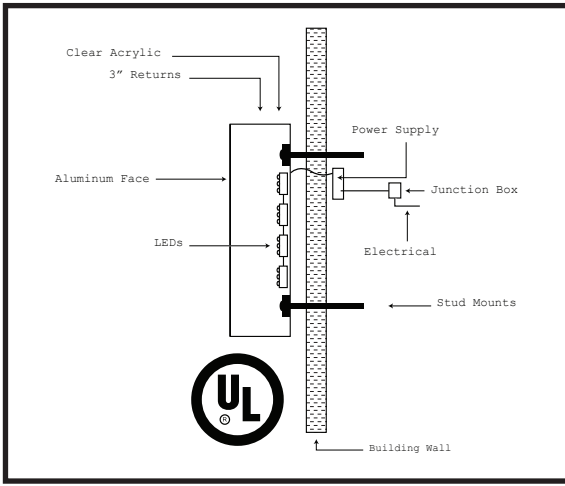
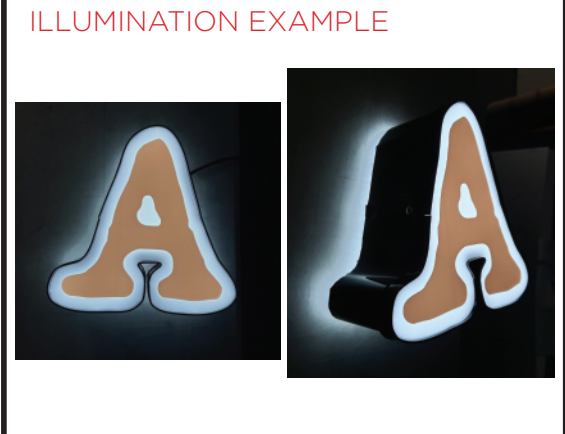
CUSTOMER: NATURAL LIFE
PHONE NUMBER: 800-851-6839
PROJECT: BUILDING SIGNAGE
SALESPERSON: STEPHEN
DESIGNER: KAYLA

CONTACT NAME: GABRIEL SUAREZ
ADDRESS:585 MASSACHUSETTS AVE
BOSTON, MA 02118

SIGN TYPE: Front and Back Lit Channel Letters	DIMENSIONS: See Drawing	LED LAYOUT: Y / <input type="checkbox"/> N / X	UL CERTIFICATION: Y / <input type="checkbox"/> N / X	CRATE: Y / <input type="checkbox"/> N / X	PATTERN: Y / X N / <input type="checkbox"/>
COLORS:	TRIM CAP: Black	RETURNS: Black	RACEWAY: NA	LED COLORS: Pure White 7000K Phoenix Series PF-2080	
FACES:	ACRYLIC with Translucent Vinyl		LAMINATE: Gloss	MOUNTING METHOD: Stud with 1in Spacers	
QTY:	1	WHIP LENGTH: 8'	RACEWAY SIZES: NA	SPACER MOUNT: 1in	
ADDITIONAL NOTES: Power Supply Hanley LED Superior Series H60W-SD-12					

FILE PATH: P:\N\Natural Life\Boston, MA\Building Signage_37793

Install P/U Ship Del. OS



CROSS-SECTION



PLEASE READ PROOF CAREFULLY. ONCE APPROVED, PINNACLE CUSTOM SIGNS WILL NOT BE FINANCIALLY RESPONSIBLE FOR MISSPELLINGS OR INCORRECT LAYOUTS.
Disclaimer: Due to factory color calibration on computer monitors, the colors displayed are not guaranteed to be the actual colors. In order to approve the actual colors, you will need to request a hard-copy proof that will be printed on the actual material used for your project for an additional fee.
Please Note: Our installers are not certified electricians, and therefore, are not responsible for installing the electricity to your new sign. We will mount your sign to the building, but you may require an electrician to connect the electricity to it after installation.

APPROVAL SIGNATURE

 NATURAL LIFE

150.00 in



★ ★ ★
GUARANTEED

★ **SUPERIOR** ★
DRIVERS

By HanleyLED
★ ★ ★



H60W-SD-12

Features

- High performance superior power supply
- Up to 20 drivers per circuit with low Max Input Amp rating, means lower labor costs
- Silver design for improved light reflection in self-contained signs
- Integrated strain-relieve wire design
- Ribbed sides for increased surface area & greater heat dissipation
- UV Jacketed Sleeve for added wire protection
- 7 yr Product Warranty
- Rating: Class 2, for use with LEDs and LED signage
- UL Retrofit Kit Classified



Superior Series

H60W-SD-12



Features

- High performance superior power supply
- Up to 20 drivers per circuit with low Max Input Amp rating, means lower labor costs
- Silver design for improved light reflection in self-contained signs
- Integrated strain-relieve wire design
- Ribbed sides for increased surface area & greater heat dissipation
- UV Jacketed Sleeve for added wire protection
- 7 yr Product Warranty
- Rating: Class 2, for use with LEDs and LED signage
- UL Retrofit Kit Classified

Warranty

Product
7 years

Labor

5 years labor if paired with HanleyLEDs
1 year labor with any other qualified LEDs

Safety

Certification



Product Parameters

Output Characteristics

Rated Output Voltage	12V
Rated Output Current	5A
Rated Output Power	60W
Output Voltage Accuracy	±2.5%

Input Characteristics

Input Voltage Range	100 ~ 277Vac
Input Frequency Range	50HZ ~ 60HZ
Input Current	.8A/110Vac .3A/277Vac
Inrush Current (cold start)	277Vac/25°C
Efficiency	≥ 86%
PF	≥ 0.95
Power Input	.8A Max

Protective Characteristics

- Over-Current Protection
- Short-Circuit Protection
- Over-Voltage Protection
- Over-Temperature Protection

Environmental Characteristics

Working Temperature	-40° ~ +60°C
Working Humidity	20 ~ 95% RH (non-condensing)
Storage Temperature	-40° ~ +85°C
Storage Humidity	20 ~ 95% RH
IP Rating	IP68
Vibration	10 ~ 500HZ, 5G 30 minutes (for X, Y, Z each axis)

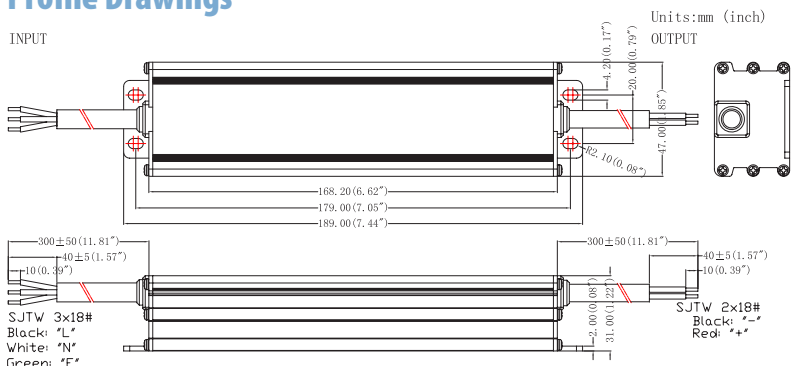
Safety and EMC

Safety Rating	IP68, Class 2
Dielectric Strength (Hi-Pot)	I/P-O/P 3KVac/10mA/60S I/P-Case 1.8KVac/10mA/60S
Insulation Resistance	100MΩhm Max/500Vdc/3S
Grounding Resistance	<0.10hm
EMC	FCC part 15classB EN55015

Other Characteristics

MTBF	>100,000hrs. Under (25°C) and 230Vac input
Size	168*47*31mm 6.62*.85*1.22in (L*W*H)
Weight	.46KG

Profile Drawings



- Ensure that the ground wire is properly grounded and ensure it does not come into contact with the neutral wire.

- Ensure the power supply position has sufficient airflow.
Operating temperature must be between -40°C to +60°C.

- Do not overload the power supply with multiple appliances.

- Power supply operates at high temperature. To avoid injury, do not touch while in use.

- Do not install with power connected or during an electrical disturbance.

- Do not attempt to install by yourself. Please contact the supplier with any questions.

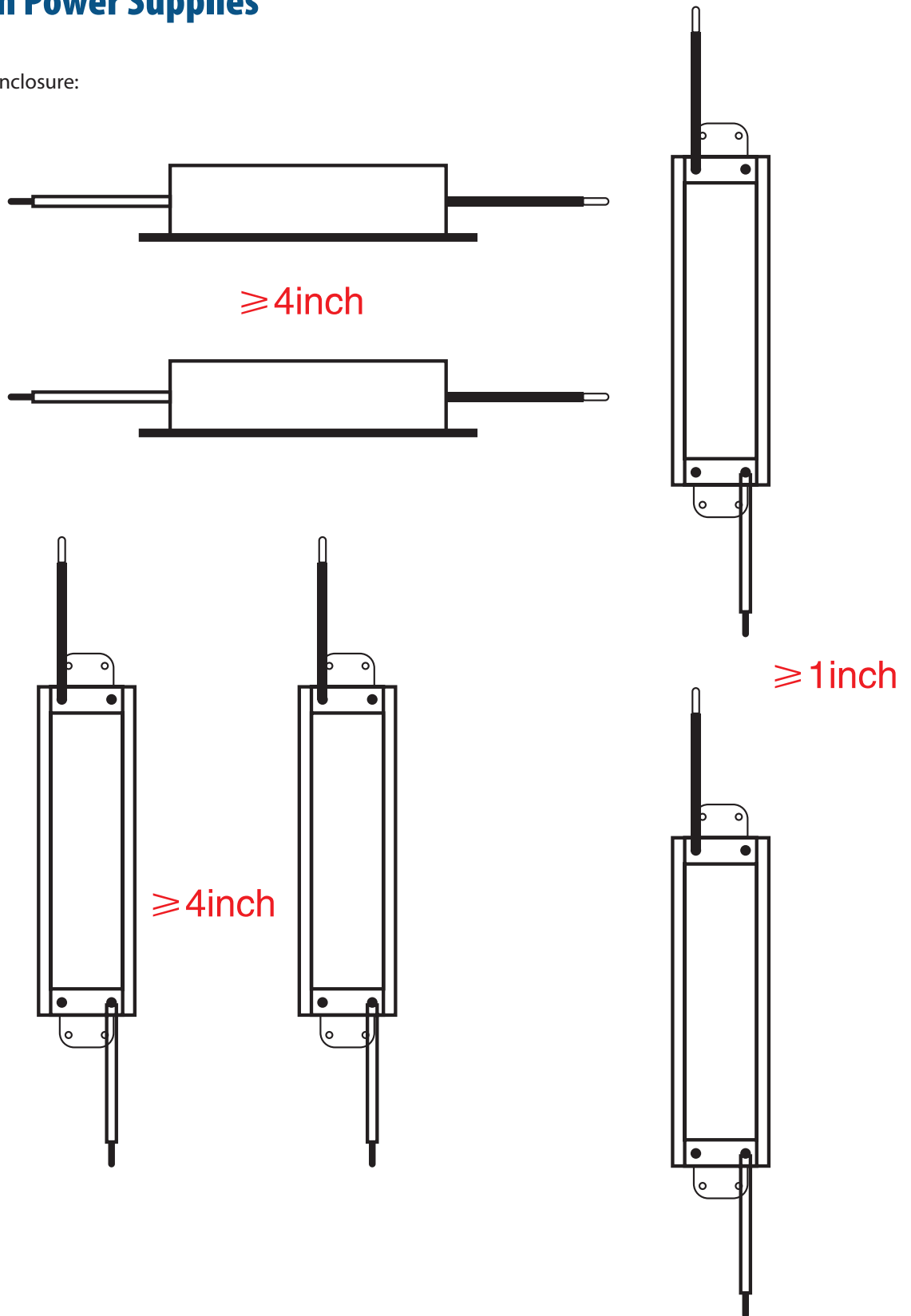
- Please read and follow the instructions carefully before installing. Ensure all contact points are in good working order.

- Please pay attention to the environment, and check for any unsafe conditions.

Spacing Between Power Supplies

Recommended Drivers Per Enclosure:

- 60W = 2 max
- 100W = 1 max
- 96W = 1 max
- 120W = 1 max
- 150W = 1 max
- 180W = 1 max
- 192W = 1 max
- 240W = 1 max



UL 48 Standard requires spacing between LED power supplies shall be at least 1 inch from end to end and 4 inches from side to side. This is to ensure adequate heat dissipation. Greater spacing may be required when heat ventilation in the sign or power supply enclosure is not adequate.

Rise to Brightness

Phoenix Series

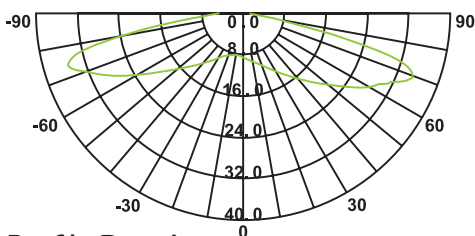
PF-2080



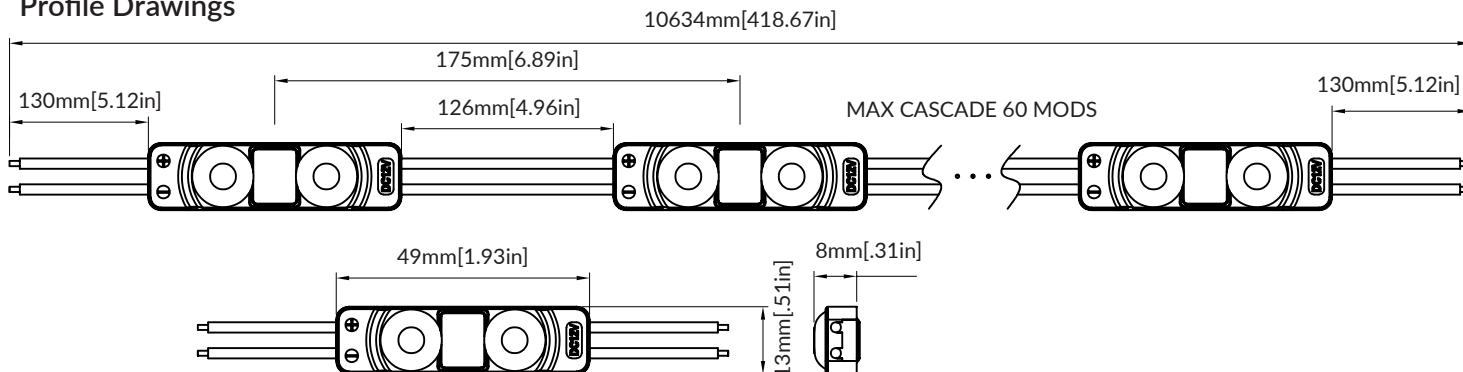
Specifications

Viewing Angle	170° Phoenix Wing Optics
Input Voltage	12vDC
Watts	.8w/mod (1.39w/ft)
Luminous Efficacy	114 (lm/W)
Modules/Foot	1.74/ft (fully stretched)
Protection Grade	IP68
Packaging	Anti-static bag, 120 modules (69ft)/bag
Warranty	10 Year (Product) / 5 Year (Labor)
Operating Temp.	-40° ~ +60°C -40° ~ +140°F
Storage Temp.	-40° ~ 70°C -40° ~ +158°F
Cascade	60 mods single-ended power feed 120 mods double-ended power feed

Light Distribution



Profile Drawings



All LED module installations must follow UL 48 Standard Guidelines.



Color	Part #	Color Temp	Lumens
Pure White	HLED-PF2080	7000K	91 lm/mod (158 lm/ft)
Red	HLED-PF2080R	620-625K	20 lm/mod (34 lm/ft)
Orange	HLED-PF2080-OR	600-610nm	16 lm/mod (27 lm/ft)
Yellow	HLED-PF2080Y	590-595nm	12 lm/mod (20.9 lm/ft)
Blue	HLED-PF2080B	460-470nm	8 lm/mod (13.9 lm/ft)
Green	HLED-PF2080G	520-530nm	44 lm/mod (76.5 lm/ft)

*All color modules now have a solid color coded wire to make color identification easy.

Features:

- Brighter signs with less power (114lm/watt)
- Energy efficient and constant current
- IP68
- Slim module design for tight spaces and serifs
- Premium components, high efficiency chips and great heat dissipation for longer, reliable life
- 14" max stroke
- Guaranteed life over 50,000 hours
- Identical Bin Code-One Color Guarantee
- DIY Layout Creator HanleyPRO at hanleyledsolutions.com

	MAX Power Supply Load						
Model	35W	60W	100W	120w	150W	180W	240W
PF-2080	43 mods	75 mods	124 mods	150 mods	186 mods	225 mods	300 mods