

499 Shawmut Avenue
Emergency Proposal for Handrails to
Exterior Front Steps

March 10, 2023

Table of Contents

Page 2	Scope of Work
Page 3	Basis of Emergency Request
Page 4	Exterior of 499 Shawmut Avenue
Page 5	Front Entrance to 499 Shawmut Avenue
Page 6	Proposed Handrail Design, Installation Contract
Page 7	Neighborhood Design Examples
Page 8	Contractor Information and Estimate
Page 9	Contact Information

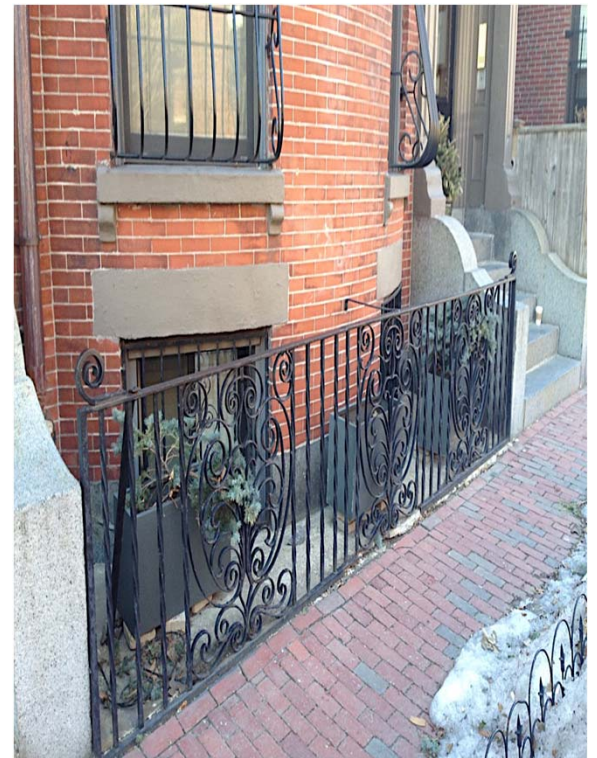
Scope of Work

- Emergency installation of two handrails to the exterior granite steps of 499 Shawmut Avenue.
- Iron handrails to be fabricated and installed by Eddie's Iron Works of Everett, MA.
- Installation to take less than one day.
- Handrail design to be in keeping with existing handrails throughout neighborhood.

Basis of Emergency Request

- Access to and from building has recently become severely limited for two owners due to lack of handrails on exterior steps.
- Two owners of condominiums within the building at 499 Shawmut Avenue have sustained significant injuries within the last six months.
 - One owner, age 71, sustained a severely broken leg and has been unable to live at 499 Shawmut due to access restrictions. She uses a cane and will return to the building in mid April.
 - One owner sustained multiple fractures of vertebrae in February, compromising her mobility and ease of using stairs.

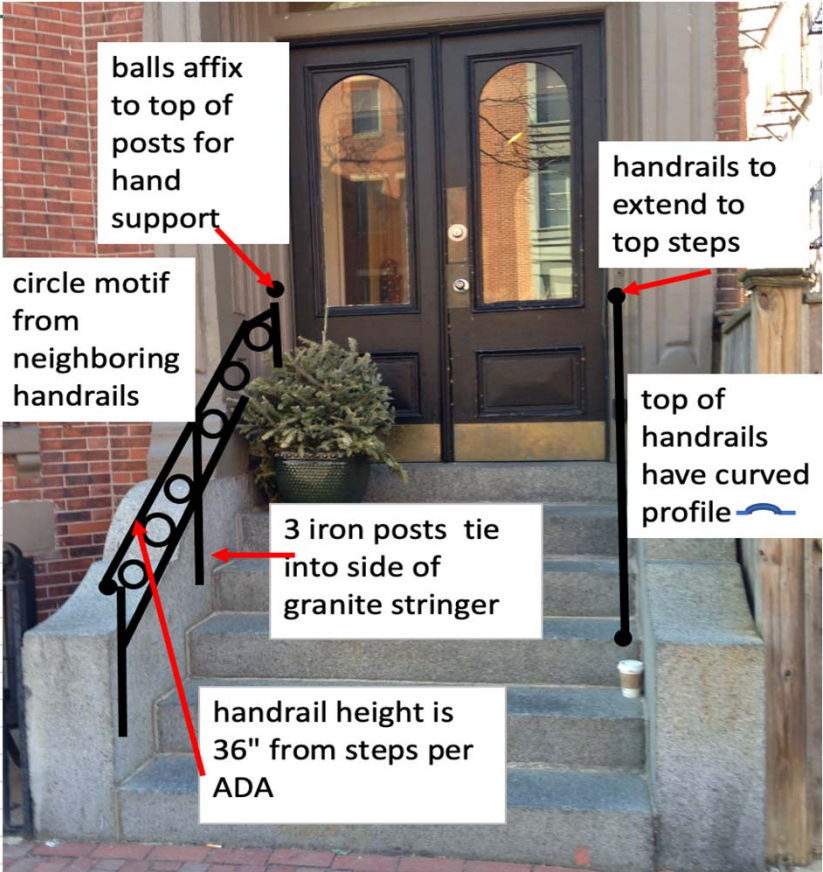
Exterior of 499 Shawmut Avenue



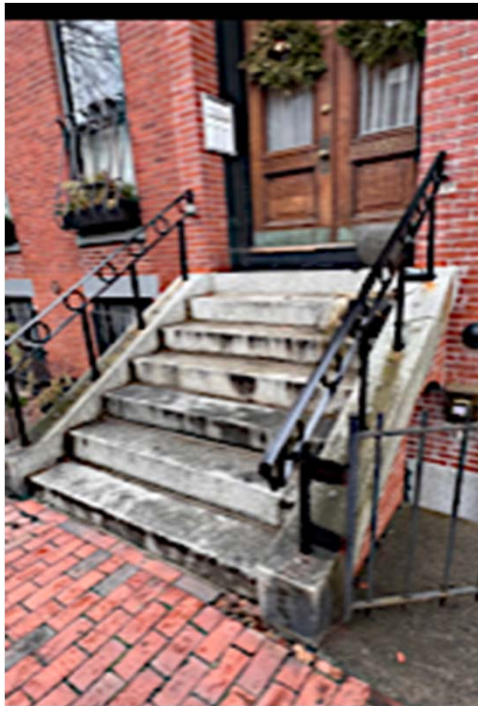
Front Entrance to 499 Shawmut Avenue



Proposed Design



Neighborhood Design Examples



Circle and Post Design
157 Brookline Street



Posts Tied into Stringer
698 Mass Avenue



Top Post Sits at Top Stair
Concord Street

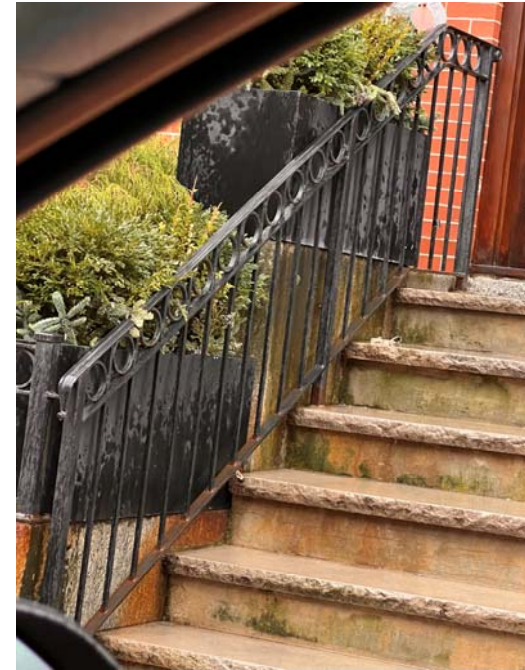
Neighborhood Design Examples



Mass Ave./Worcester St.



Langham Court
Shawmut and Worcester

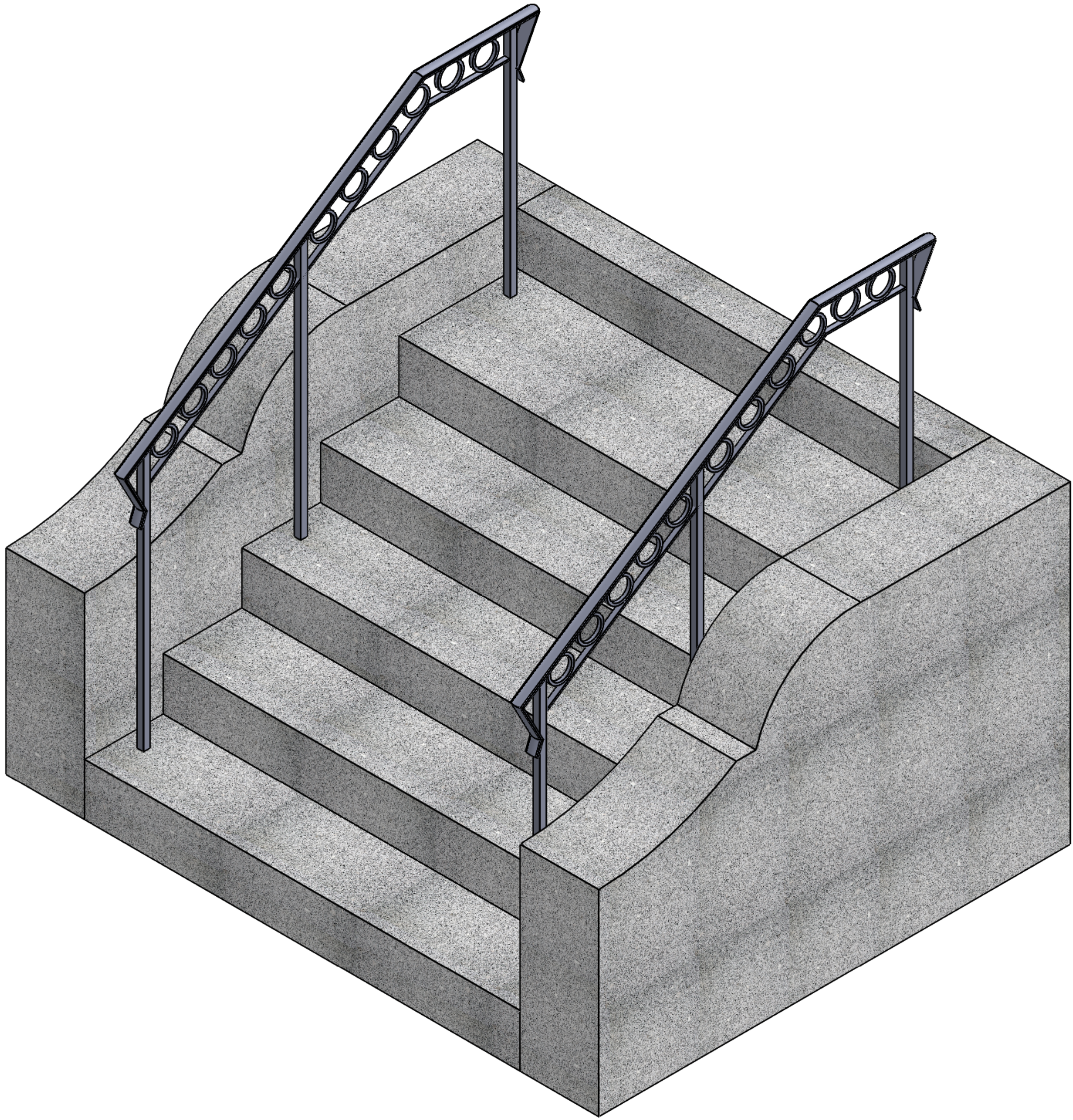


Concord Street

EastBay Metal LLC

eastbayllc.com

ADDRESS:
499 Shawmut Ave. Boston MA



	NAME
INDUSTRIAL DESIGNER	Francisco Rodriguez
DWG BY:	Jesse Genao
CHECKED BY:	Francisco Rodriguez
ENG APPR.	
Q.A.	

COMMENTS:

STAMP:

PROPRIETARY AND CONFIDENTIAL
THE INFORMATION CONTAINED IN THIS DRAWING IS THE SOLE PROPERTY OF EASTBAY METAL LLC. ANY REPRODUCTION IN PART OR AS A WHOLE WITHOUT THE WRITTEN PERMISSION OF EASTBAY METAL LLC IS PROHIBITED.

EastBay Metal LLC
eastbayllc.com

CLIENT:
Eddie's Ironworks

TITLE:
Wrought Iron Front Handrails

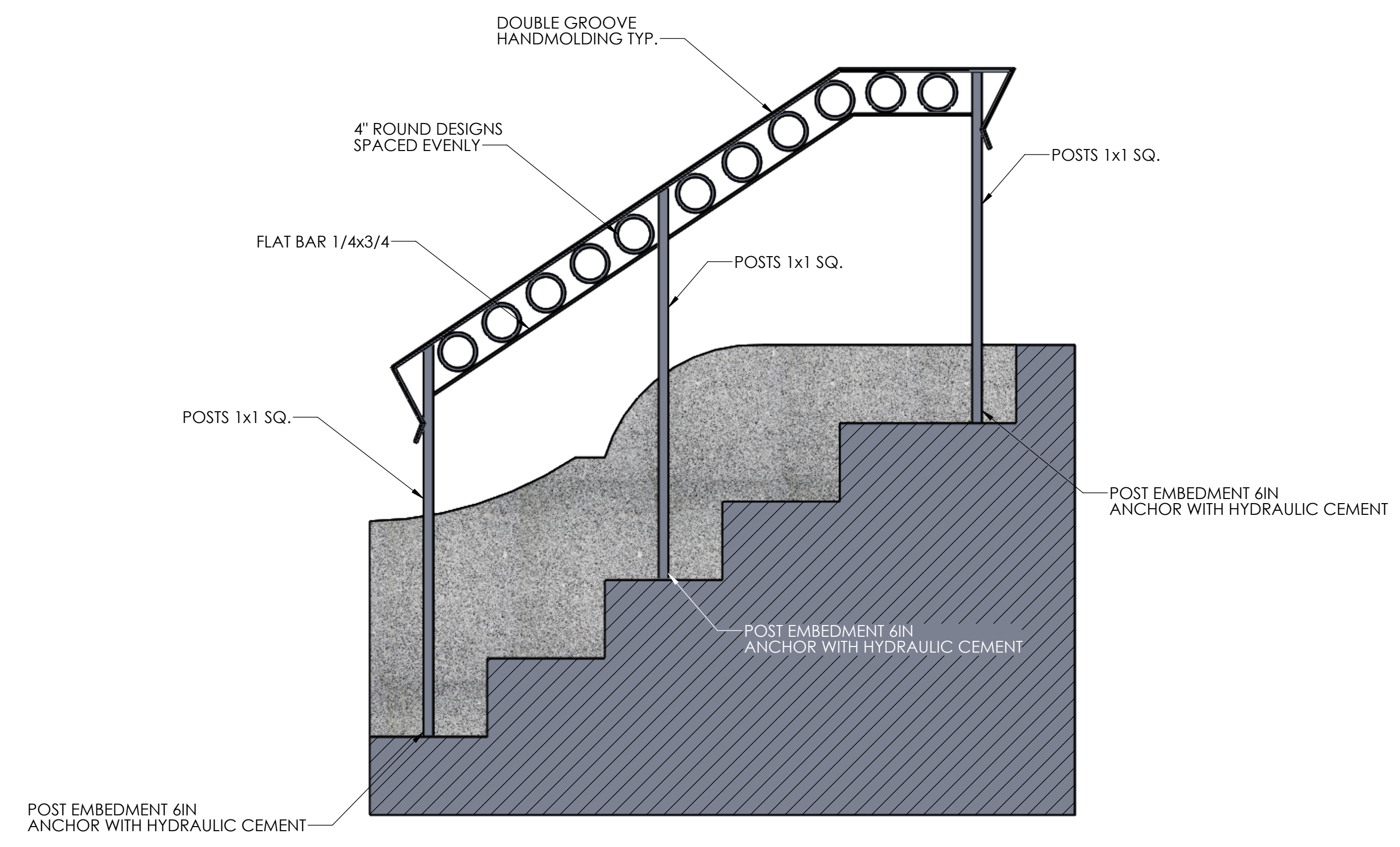
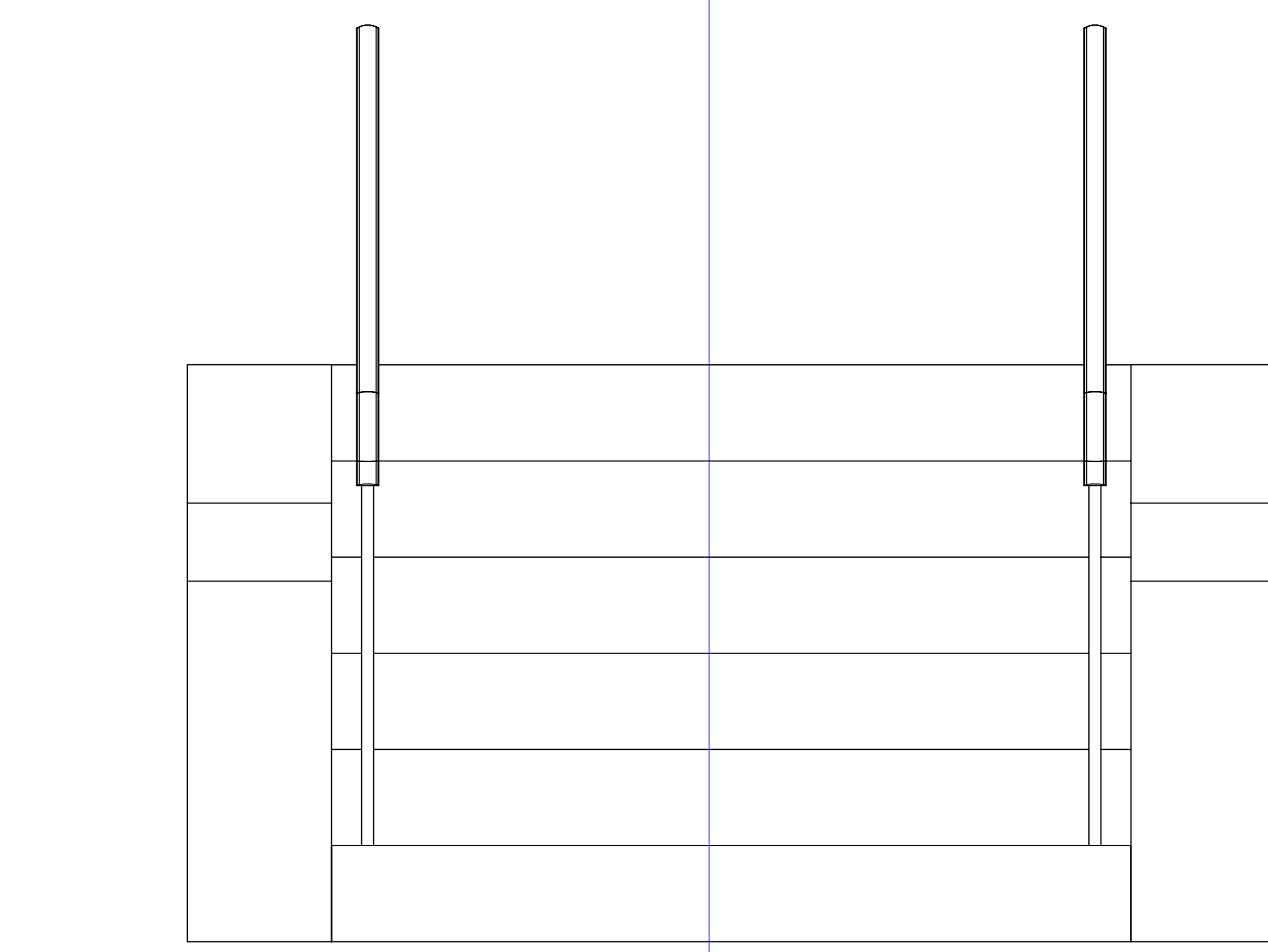
JOB SITE:
499 Shawmut Ave.
Boston, MA

UNLESS OTHERWISE SPECIFIED:

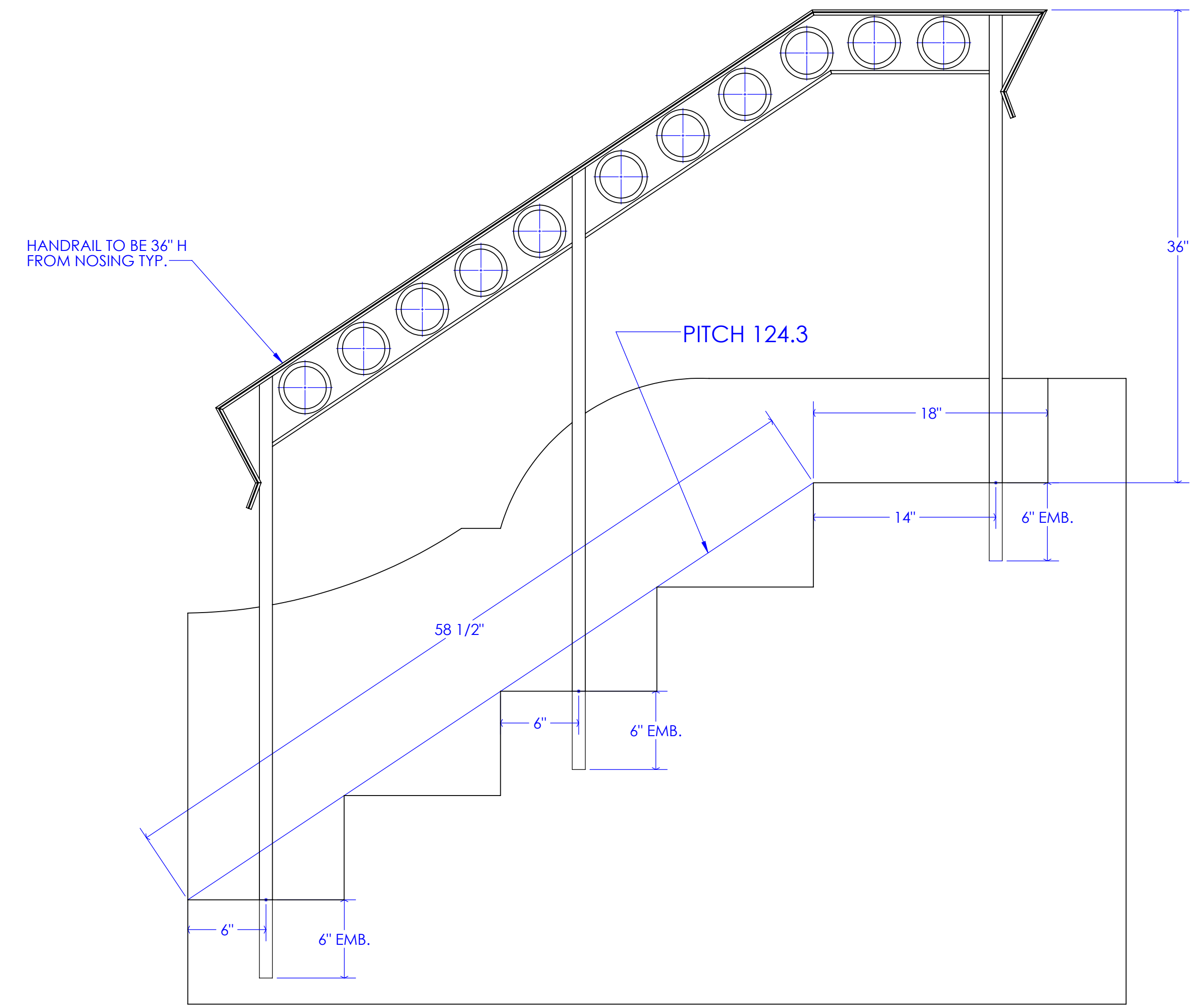
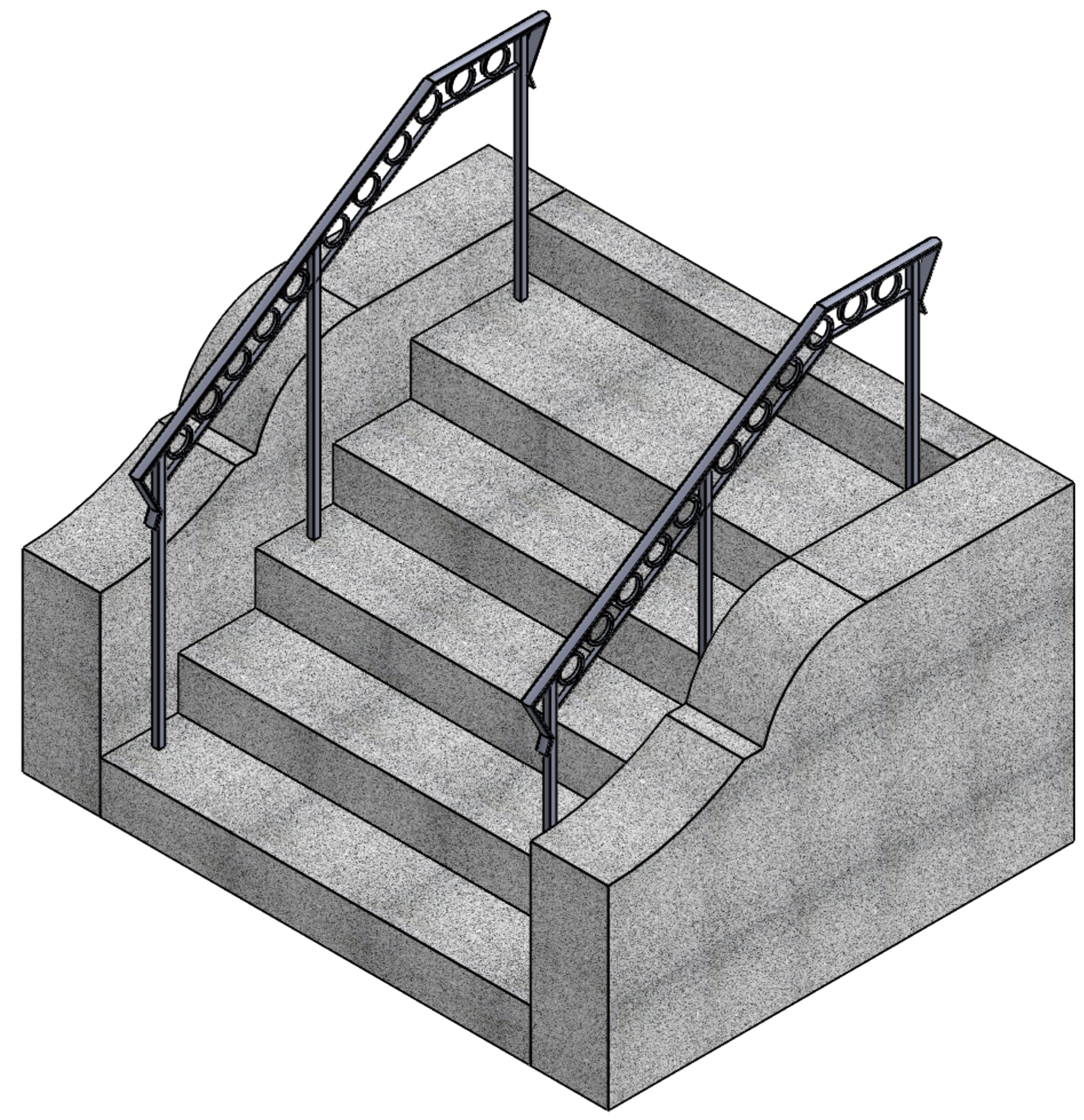
DIMENSIONS ARE IN INCHES
TOLERANCES:
FRACTIONAL ±
ANGULAR: MACH ± BEND ±
TWO PLACE DECIMAL ±
THREE PLACE DECIMAL ±

INTERPRET GEOMETRIC TOLERANCING PER:

MATERIAL	
DATE CREATED	Thursday, March 30, 2023
DWG. NO.	LAST REVISION
S01.0	3/30/2023
SIZE	
SCALE: 1:12	WEIGHT: SHEET 1 OF 2



SECTION A-A
SCALE 1 : 10



	NAME
INDUSTRIAL DESIGNER	Francisco Rodriguez
DWG BY:	Jesse Genao
CHECKED BY:	Francisco Rodriguez
ENG APPR.	
Q.A.	

COMMENTS:

STAMP:

PROPRIETARY AND CONFIDENTIAL
THE INFORMATION CONTAINED IN THIS DRAWING IS THE SOLE PROPERTY OF EASTBAY METAL LLC. ANY REPRODUCTION IN PART OR AS A WHOLE WITHOUT THE WRITTEN PERMISSION OF EASTBAY METAL LLC IS PROHIBITED.

EastBay Metal LLC
eastbayllc.com

CLIENT:
Eddie's Ironworks

TITLE:
Wrought Iron Front Handrails

JOB SITE:
499 Shawmut Ave.
Boston, MA

UNLESS OTHERWISE SPECIFIED:

DIMENSIONS ARE IN INCHES
TOLERANCES:
FRACTIONAL ±
ANGULAR: MACH ± BEND ±
TWO PLACE DECIMAL ±
THREE PLACE DECIMAL ±

INTERPRET GEOMETRIC TOLERANCING PER:

MATERIAL	
DATE CREATED	Thursday, March 30, 2023
DWG. NO.	LAST REVISION
S02.0	3/30/2023
SIZE	
SCALE: 1:12	WEIGHT: SHEET 2 OF 2