

121 Charles Street South, Boston, MA 02116

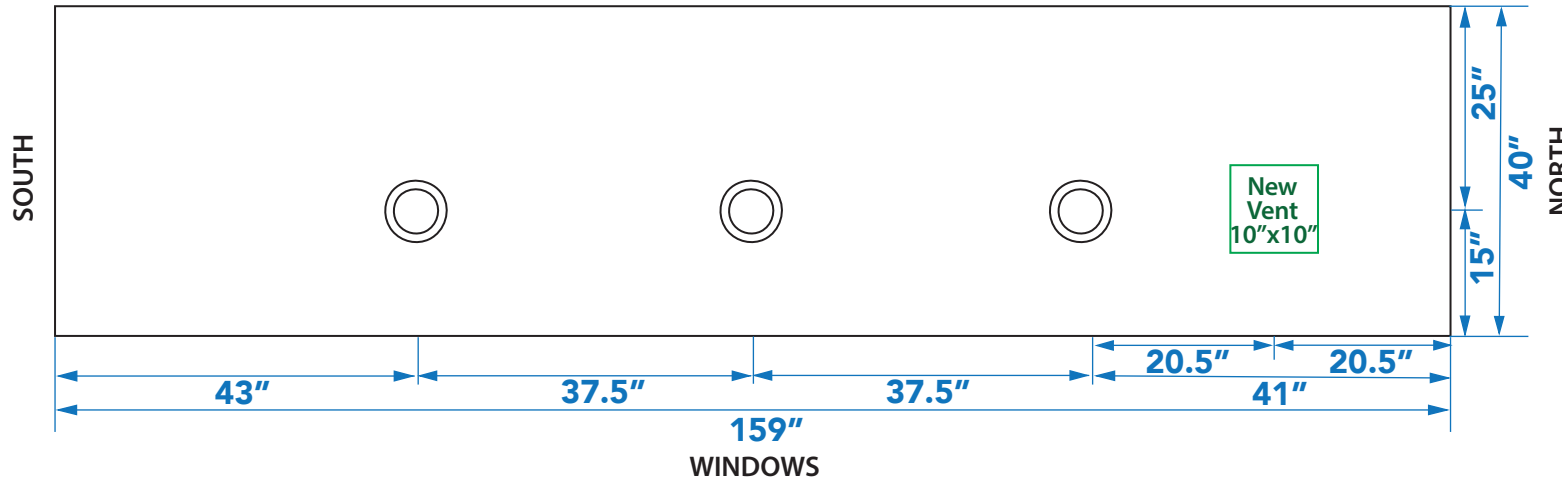
- 1. Install New Air Intake Grille (Charles St South)**
- 2. Replace Existing Ventilation Grille (Fayette St)**
- 3. Fire Department Code #1**
 - Install New Fire Alarm Beacon (Charles St South)**
- 4. Fire Department Code #2**
 - Replace Existing Egress Door (Charles St South)**

Daniel Kim
Sarah Lee
CharlesStDental@gmail.com

1. New Air Intake Grille (Charles Street South)

121 Charles Street South, Boston, MA 02116

CHARLES STREET SOUTH



Item: New Air Intake Grille

Use: Air intake for HVAC system

Location: Storefront ceiling on Charles Street South

Size: 10" x 10"

Finish: White aluminum grille



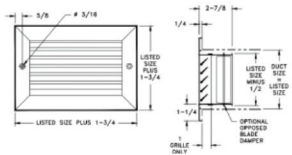
RH45LF — Aluminum Grille, 45-degree Fixed Blade

- Fixed 45-degree blades
- 1-1/4" flat frame
- Extruded Aluminum Construction
- Available in White (W) or Satin Anodized (SA)

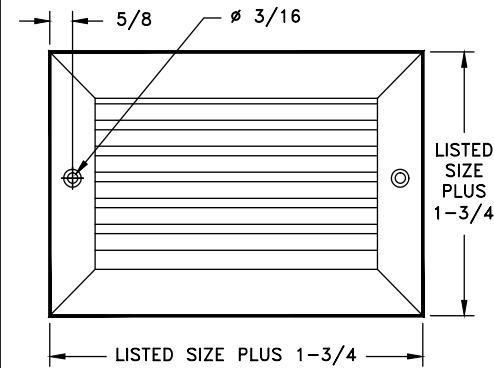
Assets/Details

[Engineering Data — RH45, RHD45, RHF45, RCB](#)
(181 KB, PDF)

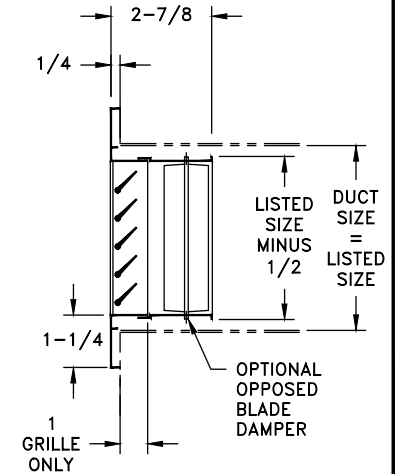
[Submittal Data — RH45LF, RHD45LF](#)
(59 KB, PDF)



- EXTRUDED ALUMINUM CONSTRUCTION
- BARS ON 3/4 INCH CENTERS
- SCREW HOLE LOCATIONS STANDARD UNLESS OTHERWISE SPECIFIED
- WALL OR DUCT OPENING SHOULD BE DUCT SIZE +/- 1/8"
- MINIMUM SIZE: RH45 4 X 4 RHD45 4x6
- MAXIMUM SIZE: 48 X 48 ONE PIECE CONSTRUCTION
- AVAILABLE IN 1/4 INCH INCREMENTS
- FINISH: WHITE (W) ENAMEL OR SATIN ANODIZED (SA)



RH45LF REGISTER



RHD45LF REGISTER

NOTE: All dimensions are +/- 1/16"

JOB NAME:	SUBMITTED BY:	DATE: 03/08/2021	SD-9131
LOCATION:		RH45LF/RHD45LF Extruded Aluminum Fixed Horizontal Face Bars	
ARCHITECT:			
ENGINEER:			
CONTRACTOR:			

2. Replace Existing Ventilation Grille (Fayette Street)

121 Charles Street South, Boston, MA 02116

BEFORE



AFTER



BEFORE



AFTER

POTTORFF®

variable flange/no bottom flange
extruded aluminum or formed galvanized steel

Application and Design

Minimum 1/2" (13), maximum 3" (76) width (height) variable flange. Optional no bottom flange for use typically when a bottom sill pan is required. For use with extruded aluminum and formed steel louver models. On extruded aluminum louvers, flanges greater than the standard 1-1/2" (38) are welded onto the louver.*

Standard Construction

Material: 0.081" (2) thick 6063-T5 extruded aluminum for aluminum louvers or 20 ga. (1.0) thick galvanized steel for formed steel louvers.

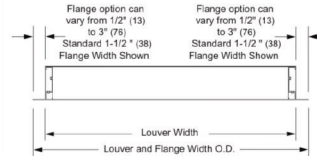
Finish: To match louver finish.

Minimum Size: See appropriate louver minimum.

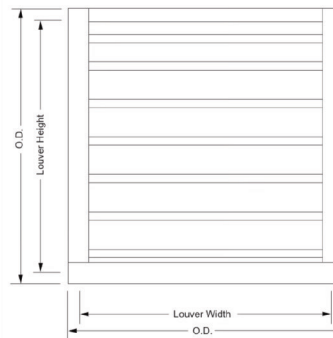
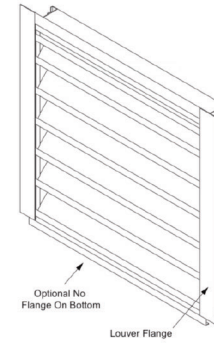
Maximum Size: See appropriate louver maximum.

Typical Details

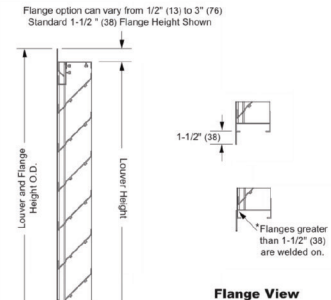
Top, Front, and Side view shown with standard flange on extruded aluminum louvers - formed steel louvers similar.



Top View



Front View



Side View

Information is subject to change without notice or obligation.

POTTORFF® 5101 Blue Mound Road, Fort Worth, Texas 76106

NOTE: Dimensions in parentheses () are millimeters.

www.pottorff.com

Item:
Replacement of
damaged
ventilation grille

Use:
Bathroom
ventilation

Location:
North-facing wall
on Fayette Street

Size:
12" x 12"

Finish:
Aluminum



MICRO IV™

Single Flash Strobe



The MICRO IV strobe family is an enhanced version of the MICROSTROBE featuring a power supply which can operate from a very wide input voltage range of 12 thru 80VDC or 16 thru 24VAC. The supply has a regulated output so that the lamp brightness and flash remain constant when operated over the rated input voltage range. The power supply is potted in polyurethane for the ultimate in protection from moisture and vibration. The enclosure is all Lexan®, and the plug-in lamp is field replaceable. All units are polarity protected and have built-in filters to protect against radio interference and spike voltages. The MICRO IV is covered by a 10 year warranty (described below). The MICRO IV and its guard are UL component recognized for type E, EE, and ES electric industrial trucks covered by UL standard #583 (UL File #AU 2049).

ORDERING INFORMATION

Please specify lens color and the model number desired. Colors available are AMBER, BLUE, CLEAR, GREEN, or RED.

Model No.	Description	Voltage
470S-1280	Surface Mount	12 thru 80VDC
470SMB-1280	Mag Mount & 6' Straight Cord	12 thru 80VDC
470SMB-1280/CC	Mag Mount & Coiled Cord	12 thru 80VDC
485S-1280	Screw-in Light Bulb Base	12 thru 80VDC
490S-1280	1/2" Pipe Mount Hub	12 thru 80VDC
492S-1280	3/4" IPS Slip Mount	12 thru 80VDC
495S-1280	1/2" Male Pipe Thread Mount	12 thru 80VDC
470SSGP-1280	Wall Plate Mount	12 thru 80VDC

Options

SPECIFICATIONS

Lamp Type

5001 Xenon Strobe Lamp

Lens Type

470S-L-COLOR (Please Specify Color)

Voltage and Amperage

12-80VDC	Draws	4 A	avg. @ 12VDC tapering to
		.05 A	avg. @ 80VDC
16-24VAC	Draws	.35 A	avg.

Power Supply Output 2.7 Watts

1.75 Joules per Flash

Flash Rate

20 to 200 Flashes per Minute

Item:
New fire alarm beacon

Use:
Visual signaling device

Location:
Between store-front and window on Charles Street South, 9.5 ft above ground

Size:
6.25" x 2.85" x 3.6"

Finish:
Red flashing light

Current Condition



Item:
Replacement of
non-compliant
egress door

Use:
1) Allow egress
door to swing out-
ward and have a
handle

2) Remove metal
screen to allow
egress door to
open outward

Location:
Charles Street
South

Size: 30" X 84"

Finish:
White steel door
with brushed
nickel lever



www.delafontaine.com

General notes:

Series PA 20, 18 and 16

Doors are fabricated from 20, 18 or 16gauge, zinc-iron coated carbon steel conforming to ASTM A-653 with ZF120 (A40) designation or ZF180 (A60) designation. Doors shall have standard manufacturer's (beveled 1/8" in 2") lock seam edge construction with inverted channels top and bottom of door. All doors shall be prepared for fully templated hardware, including thru bolt holes. Reinforcing only will be supplied for all surface-mounted hardware, drilling and tapping for surface hardware will be done in field. Provide manufacturer's standard steel glass kits and louvers.

Doors are 1 3/4" nominal thickness (may vary with gage). Door edges by other manufacturers may not fit properly.

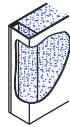
CORES



Urethane (URE)

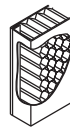
Solid block
R value: 8.66(hr °F-sq/ft)/BTU
U value: 0.12 BTU/(hr °F-sq/ft)

Thermal resistance values are taken from the center of the door slab. As per ASTM C618-04.



Polystyrene (STY)

Solid block
R value: 7.03(hr °F-sq/ft)/BTU
U value: 0.14 BTU/(hr °F-sq/ft)



Honeycomb (HC)

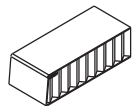
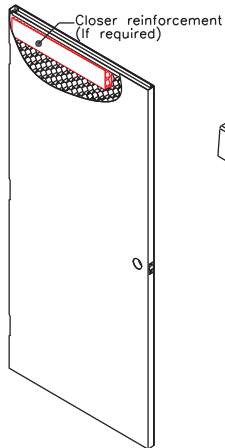
1"(25.4mm) cell with phenolic resin.
Compression ratio: 1875 lbs per sq.ft.



Steel stiffened (STL)

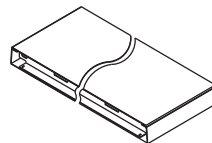
with vertical 18 gage steel stiffeners, 6" on center, with solid polystyrene block or solid urethane block.

PA DOOR

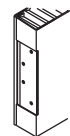


Standard lock seam on edge construction with welded corners.

Standard End channel



HINGE AND STRIKE



Standard 10gauge hinge reinforcement



Ansi A156.13 "96" edge with function holes, 12gauge lock front and 16gauge box



Ansi A156.2 "161", 16gauge lock front and 18gauge spacer

PA18g: Achieve Physical endurance test as per ANSI A250.4: Level A, 1,000,000 cycles (polystyrene core, 10ga hinge reinforcement, 16ga hardware reinforcement)

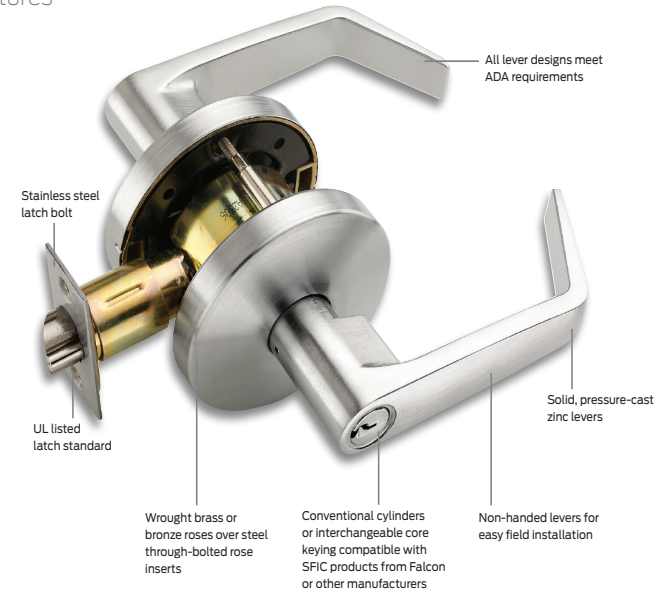
Door Details

- Overview
- Ordering
- Functions
- T Series
- K Series
- B Series
- W Series**
- RU Series
- MA Series
- H2 Series
- D Series

W Series
Grade 2, medium-duty cylindrical lever and knob locks

Designed to offer more functions and finish options than other grade 2 locks, W Series has what you need at the right price. With seven popular lever styles along with two knob styles and your choice of rose diameters (large and small), Falcon W Series locks can match most commercial door trim. The Falcon W Series locks feature conventional cylinders and small format interchangeable cores that are compatible with SFIC products from other manufacturers. Our conventional cylinders are available in all Falcon conventional key sections as well as Schlage C keyway, which we now masterkey across the complete Falcon product line. The Falcon W Series offers quality product at a value price, and is backed by one of the best names in the business - Allegion.

Features



- Stainless steel latch bolt
- UL listed latch standard
- Wrought brass or bronze roses over steel through-bolted rose inserts
- Conventional cylinders or interchangeable core keying compatible with SFIC products from Falcon or other manufacturers
- Non-handed levers for easy field installation
- Solid, pressure-cast zinc levers
- All lever designs meet ADA requirements