

Existing Windows – 44 Phillips St, Beacon Hill























REJUVENATION

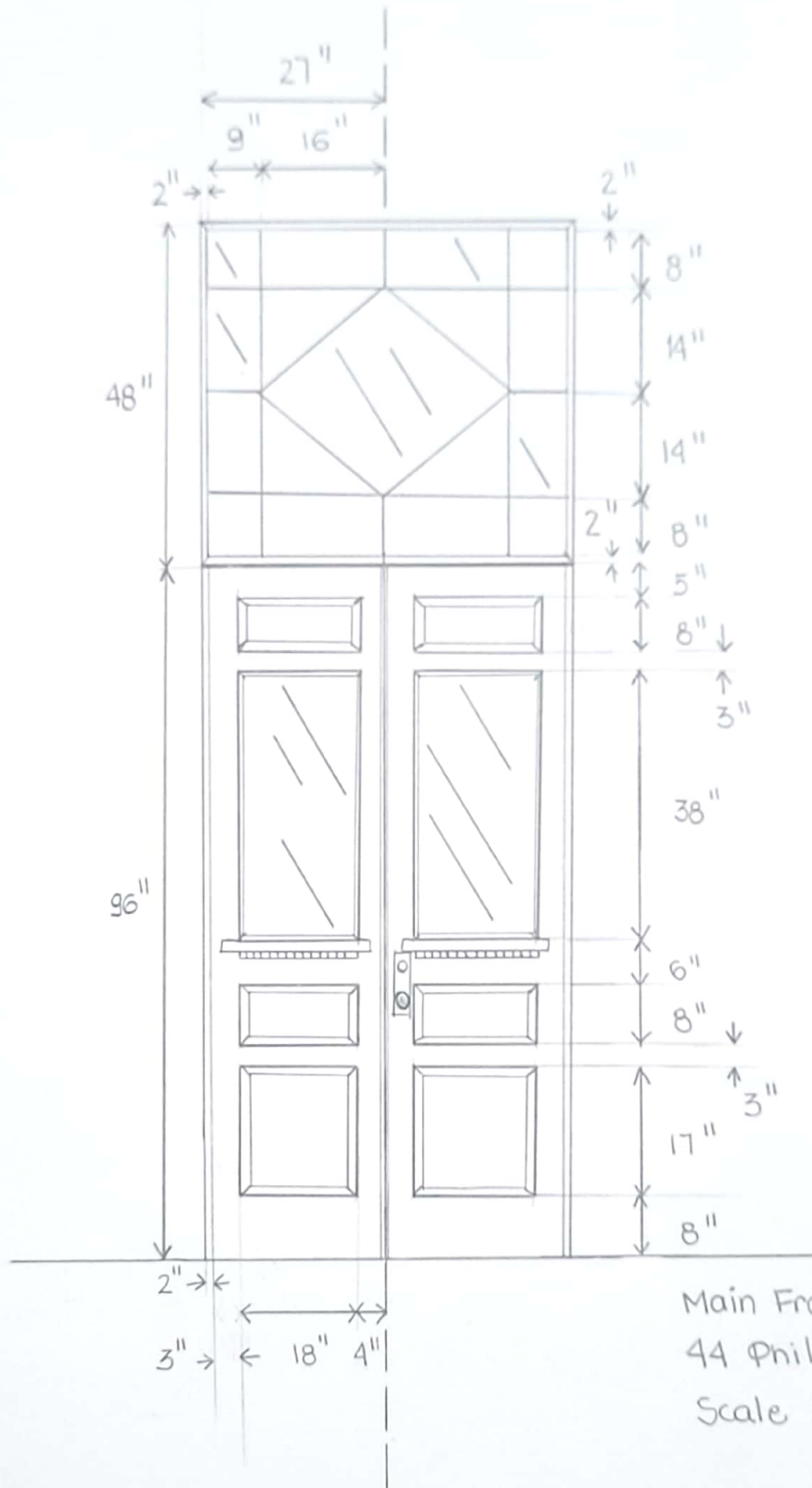


Rigdon Knob Exterior Door Hardware Tube Latch Set

Item #C104630

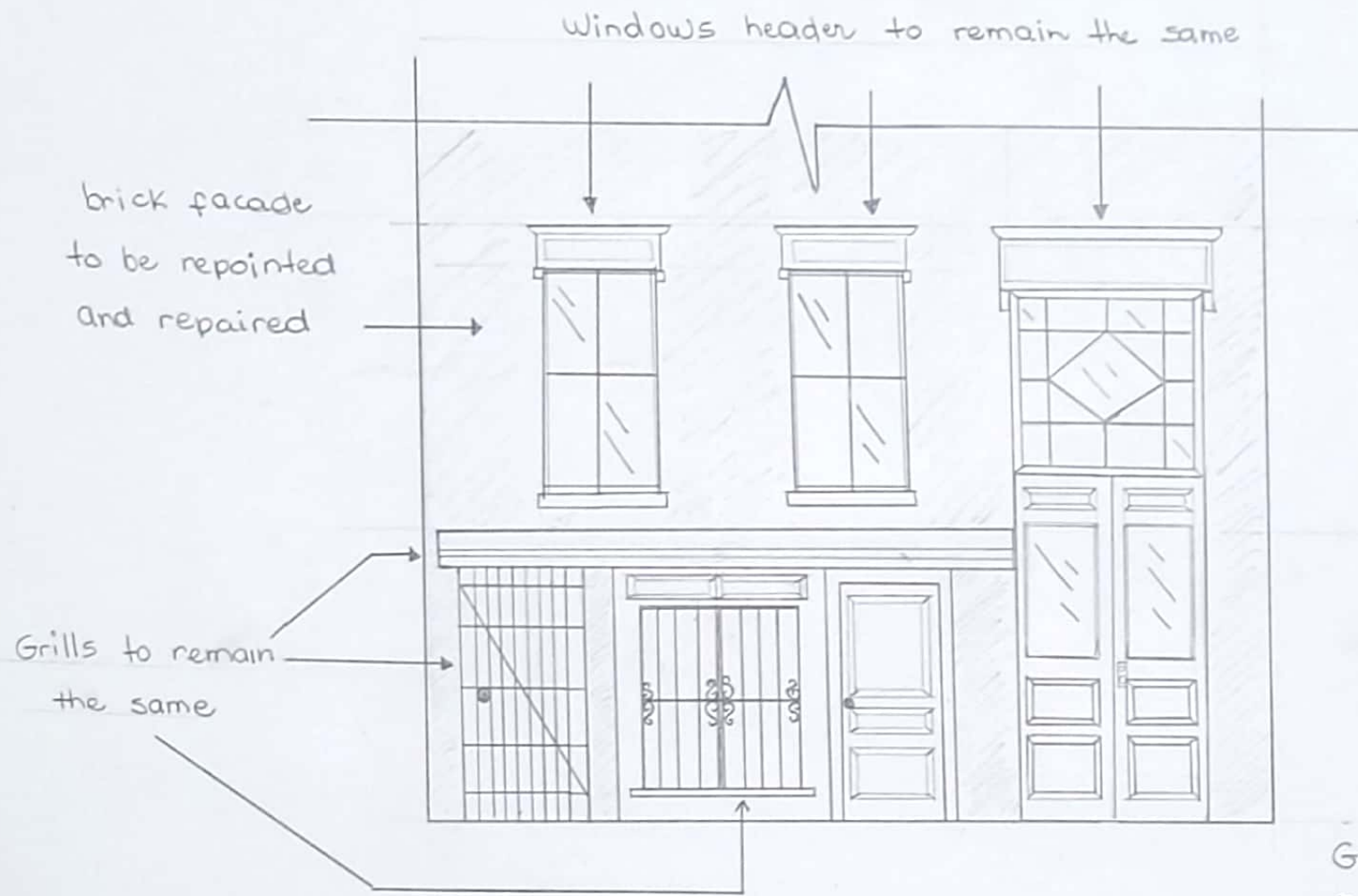
<http://www.rejuvenation.com/s/1bjp7>

Specification	Detail
Item #	C104630
Exterior Finish	Oil-Rubbed Bronze
Interior Finish	Oil-Rubbed Bronze
Backset	2-3/8"
Door Thickness	1-3/8"
Width	2-3/8"
Height	10"
Depth	2"
Backset	2-3/8" or 2-3/4"
Door Thickness	1-3/8"



Dalflor
Development

Main Front Door
44 Phillips
Scale 1:20

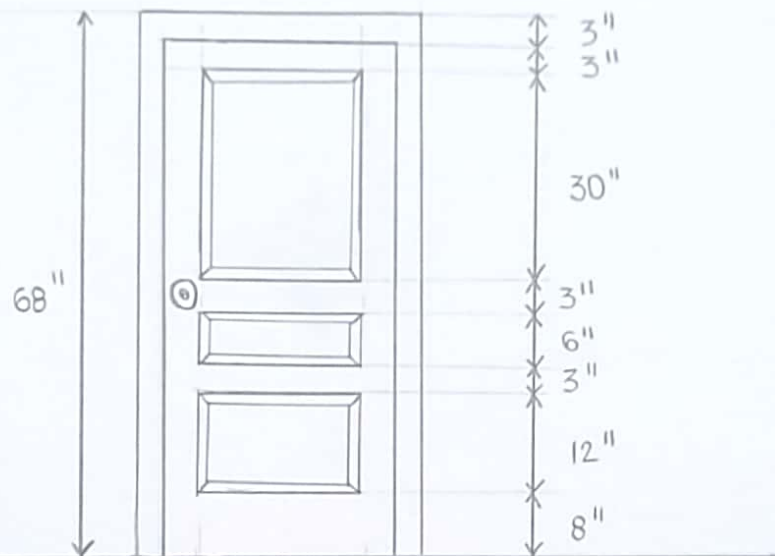


Windows header to remain the same

brick facade
to be repointed
and repaired

Grills to remain
the same

Ground Floor
Front Elevation
44 Phillips
scale 1:40



List of Materials

Mahogany Wood

Tempered Glases

Benjamin Moore Black Exterior Paint 2132-10

Richmond hardware Oil Rubbed bronze

Mechanical Room Door

44 Phillips

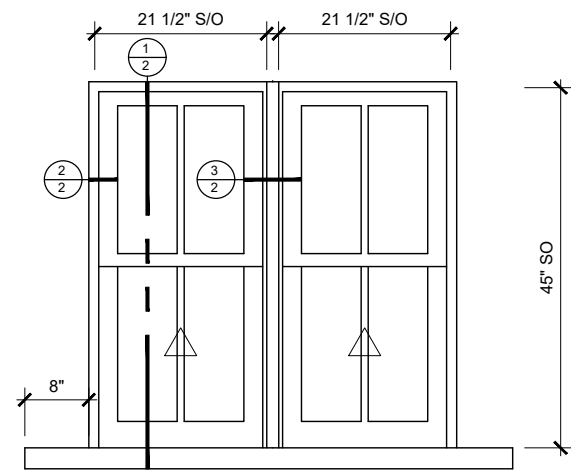
Scale 1:20

WJG

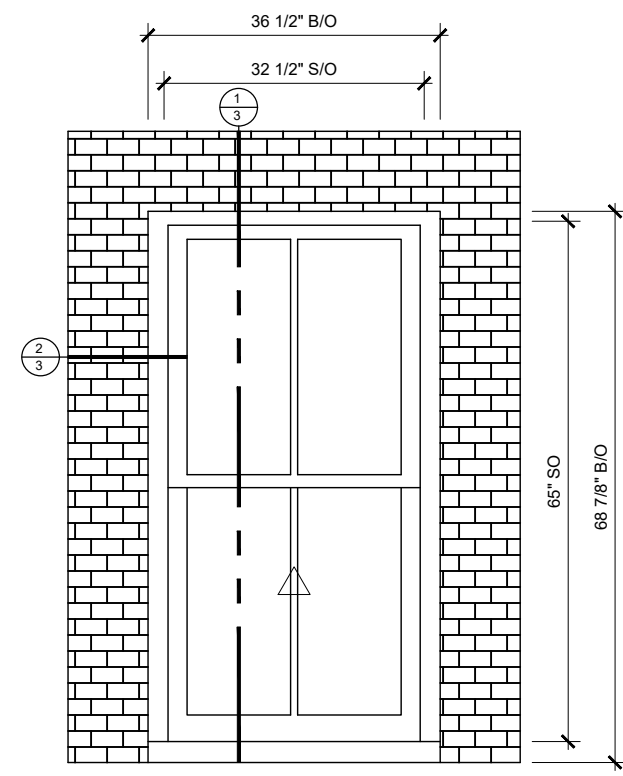
SHEET
1
OF 3

JBPB UNITS

DISTRIBUTOR: J.B. SASH & DOOR
NUMBER: Dalfior - JBPB.dwg DATE: 04/12/22
DRAWN: JLC REV DATE:



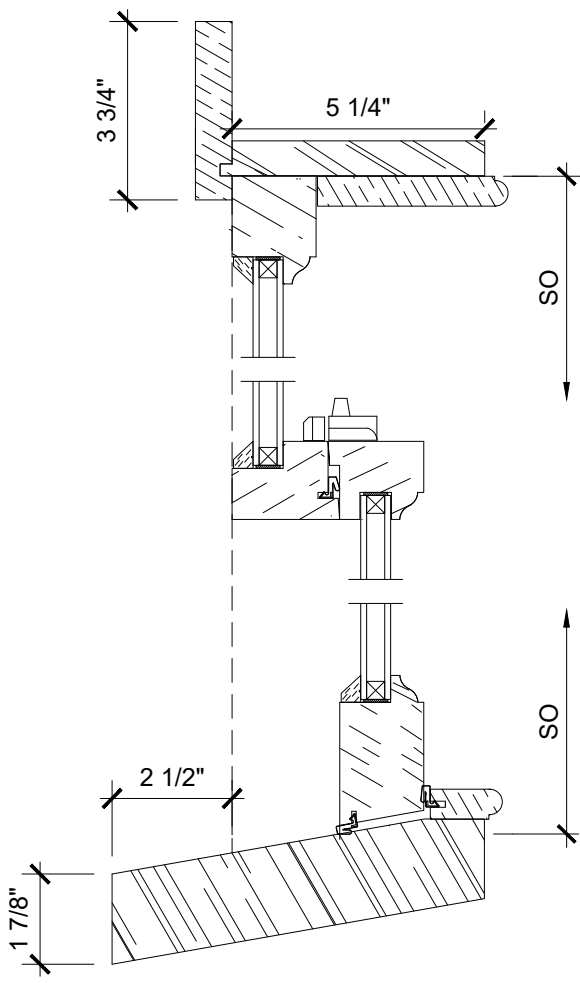
#1 JBPB-SH(2W)
 QTY: 1 SCALE: 1/2"=1'-0"
 F1, F2
 TEMPERED
 CASING SHIPPED LOOSE



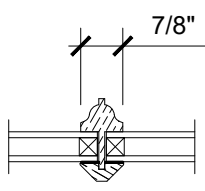
#2 JBPB-SH
 QTY: 6 SCALE: 1/2"=1'-0"
 F3, F4, F5, F7, F8, F10

#3 JBPB-SH
 QTY: 2 SCALE: 1/2"=1'-0"
 F6, F9
 TEMPERED

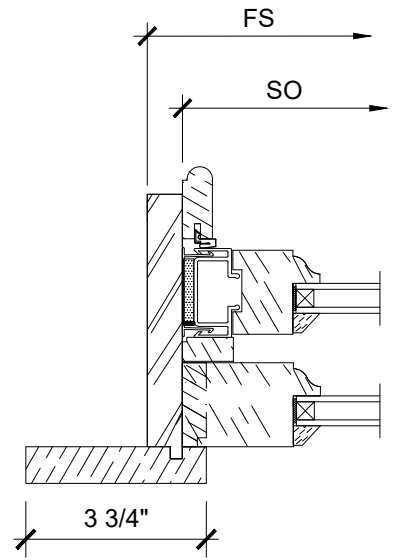
Handwritten signature



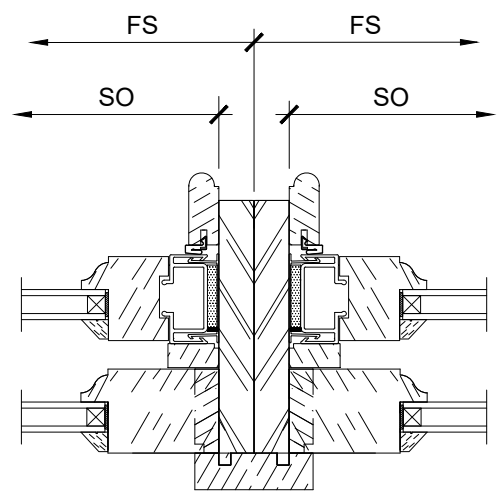
1
2 Head, Checkrail, Sill
SCALE: 3" = 1'-0"



Muntin - Typical

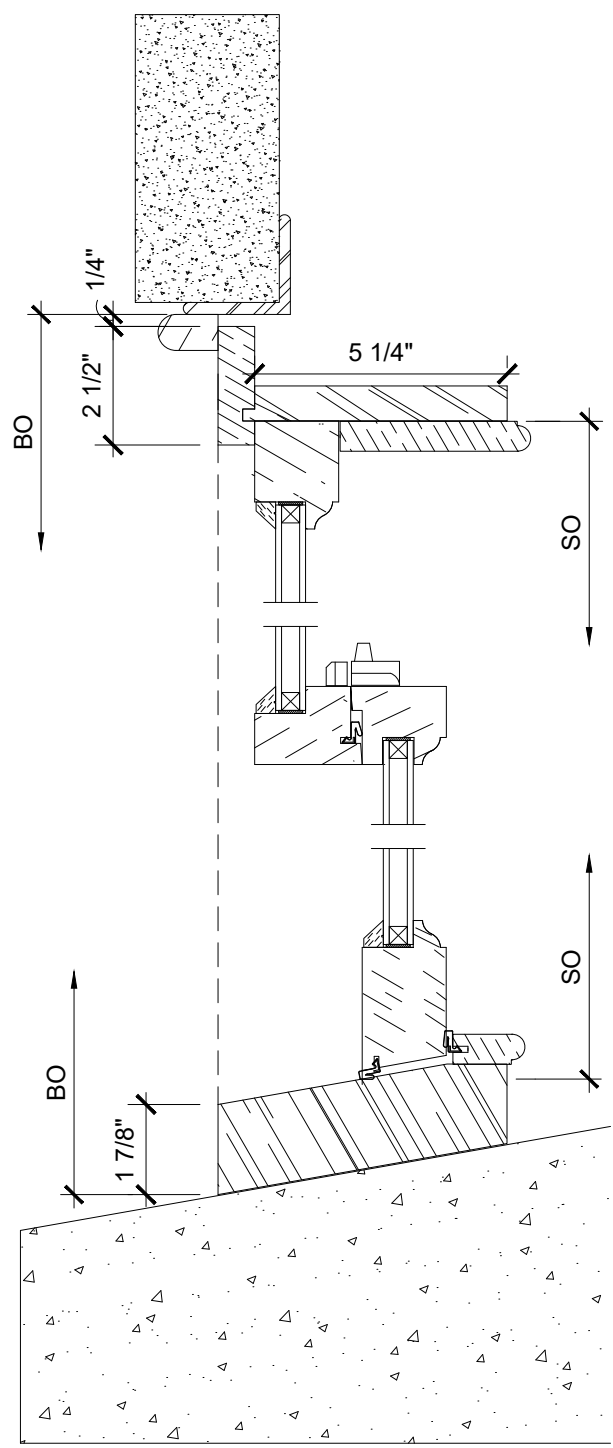


2
2 JAMB
SCALE: 3" = 1'-0"

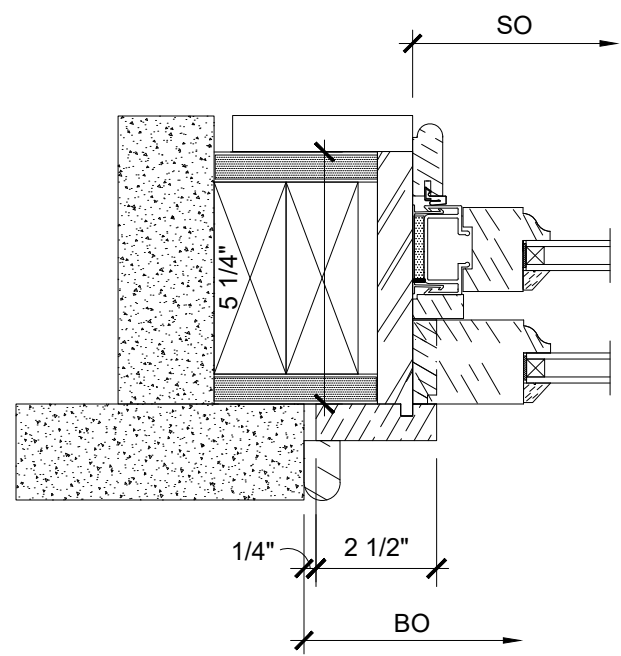


3
2 JAMB
SCALE: 3" = 1'-0"

WJG



1 Head, Checkrail, Sill
3 SCALE: 3" = 1'-0"



2 Jamb
3 SCALE: 3" = 1'-0"

REJUVENATION



Richmond Single Cylinder Square Deadbolt

Item #C105050

<http://www.rejuvenation.com/s/1bjww>

Specification	Detail
Item #	C105050
Exterior Finish	Oil-Rubbed Bronze
Interior Finish	Oil-Rubbed Bronze
Backset	2-3/8"
Width	2-3/8"
Height	2-3/8"
Depth	1-1/8"
Installation Note	We recommend using a screwdriver instead of a power tool to prevent damage to the finish