

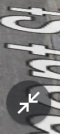
12:04 PM Tue Apr 12

LTE 34%

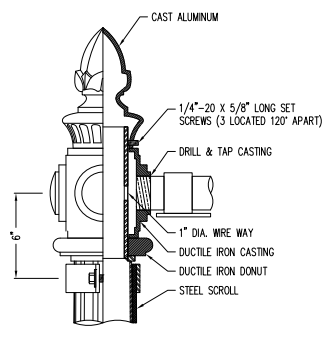
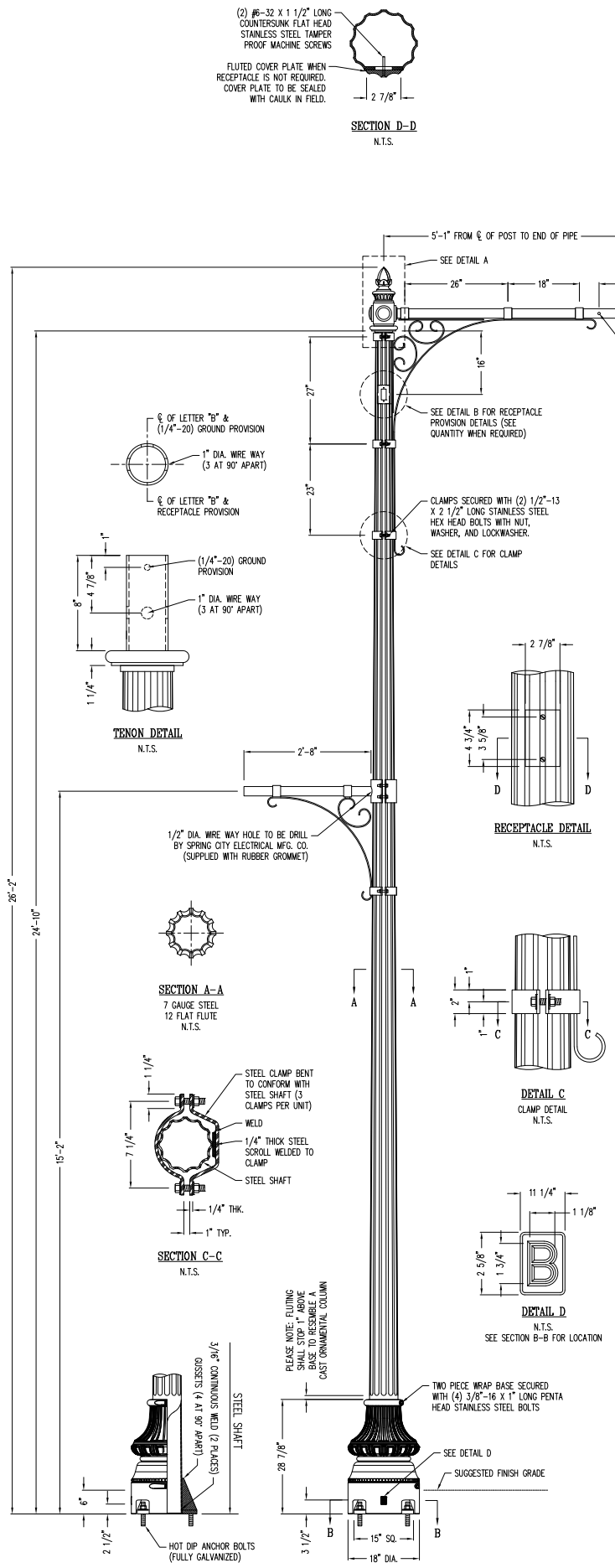
Google



620 Tremont St



This drawing is property of Spring City Elect. Mfg. and is issued to the recipient with the understanding that it shall not be copied, duplicated, passed on to unauthorized parties, nor used for any purpose other than that for which it is specifically furnished except with Spring City's written permission.



ROADWAY ARM SPECIFICATIONS

STYLE: CAMBRIDGE SINGLE
HEIGHT: 5'-1" FROM THE ϕ OF POST TO END OF PIPE
WIDTH: CAST DUCTILE IRON WITH 2" STANDARD GALVANIZED STEEL PIPE AND BLACK STEEL FLAT STOCK SCROLL WORK
MATERIAL: PIPE AND BLACK STEEL FLAT STOCK SCROLL WORK
FINISH: SEE BELOW
CATALOG NO.: SAROMB-15-61-CB

PEDESTRIAN ARM SPECIFICATIONS

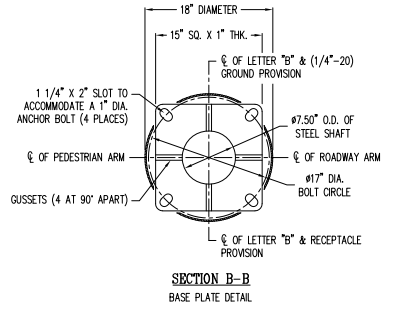
STYLE: CAMBRIDGE SINGLE
HEIGHT: 2'-8" FROM THE ϕ OF POST TO END OF PIPE
WIDTH: CAST DUCTILE IRON WITH 2" STANDARD GALVANIZED STEEL PIPE AND BLACK STEEL FLAT STOCK SCROLL WORK
MATERIAL: PIPE AND BLACK STEEL FLAT STOCK SCROLL WORK
FINISH: SEE BELOW
CATALOG NO.: SAROMB-15-32-CM-CB

LAMP POST SPECIFICATIONS

STYLE: CITY OF BOSTON II
HEIGHT: 24'-10"
BASE: 18" DIAMETER
MATERIAL:
• SHAFT: 7 GAUGE, 12 FLAT FLUTE STEEL MONOTUBE CONSTRUCTION (FLUTED OVER A MANDREL)
• BASE: TWO PIECE, (WRAP AROUND) CAST ALUMINUM ALLOY A.N.S.I. 356, PER A.S.T.M. B26-95
FINISH: SEE BELOW
ACCESS DOOR: NOT REQUIRED
ANCHOR BOLTS: (4) 1" DIA. (SUPPLIED BY OTHERS)
BOLT PROJECTION: 5" REQUIRED
BOLT CIRCLE: 17" DIAMETER
TENON: 3 1/2" DIA. X 8" HIGH (ABOVE DONUT)
CATALOG NO.: SSH2F-G17-07.50-24.83-TN3.50/9.25-RC-GV/CB
• SHAFT: AMBCTT-18-WP/CB
• BASE:

FINISH SPECIFICATIONS

STEEL SHAFT: HOT DIPPED GALVANIZE THEN PRIME COAT & FINISH COAT
BASE: CORROSION RESISTANT LAYER ADDED TO BELOW GRADE SURFACES THEN PRIME COAT & FINISH COAT
CROSS ARM: PRIME COAT & FINISH COAT
HOT DIP GALVANIZING: PER A.S.T.M. A123
PRIMER: PRIME PAINT, TWO COATS SHERWIN WILLIAMS 2 PART RECOATABLE EPOXY PRIMER (867H5 - PART G AND 867V5 - PART H)
TOP COAT: SHERWIN WILLIAMS ACROLON - CLASSIC BLACK



Spring City Electrical Mfg. Co.
HALL AND MAIN STREETS - P.O. BOX 19 - SPRING CITY, PA. 19475
PHONE (610) 948-4000 - FAX (610) 948-5577 - WWW.SPRINGCITY.COM

DESCRIPTION	CITY OF BOSTON II 24'-10" STEEL POST WITH THE CAMBRIDGE 5'-1" SINGLE ROADWAY ARM AND THE 2'-8" PEDESTRIAN ARM		
SCALE	DRAWN BY:	DATE	DRAWING NO.
N.T.S.	B.K.R.	06-11-2018	LP-32085

EXISTING



PROPOSED

