
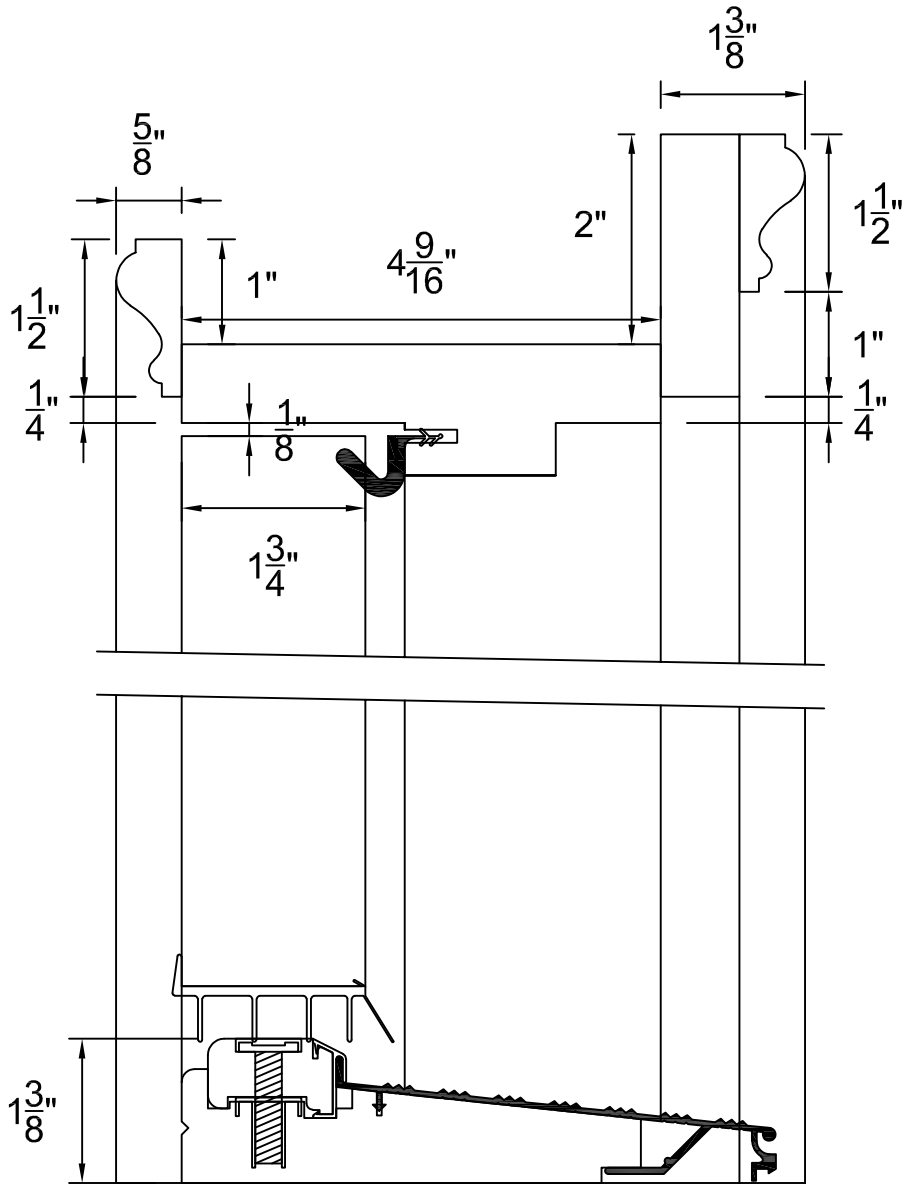



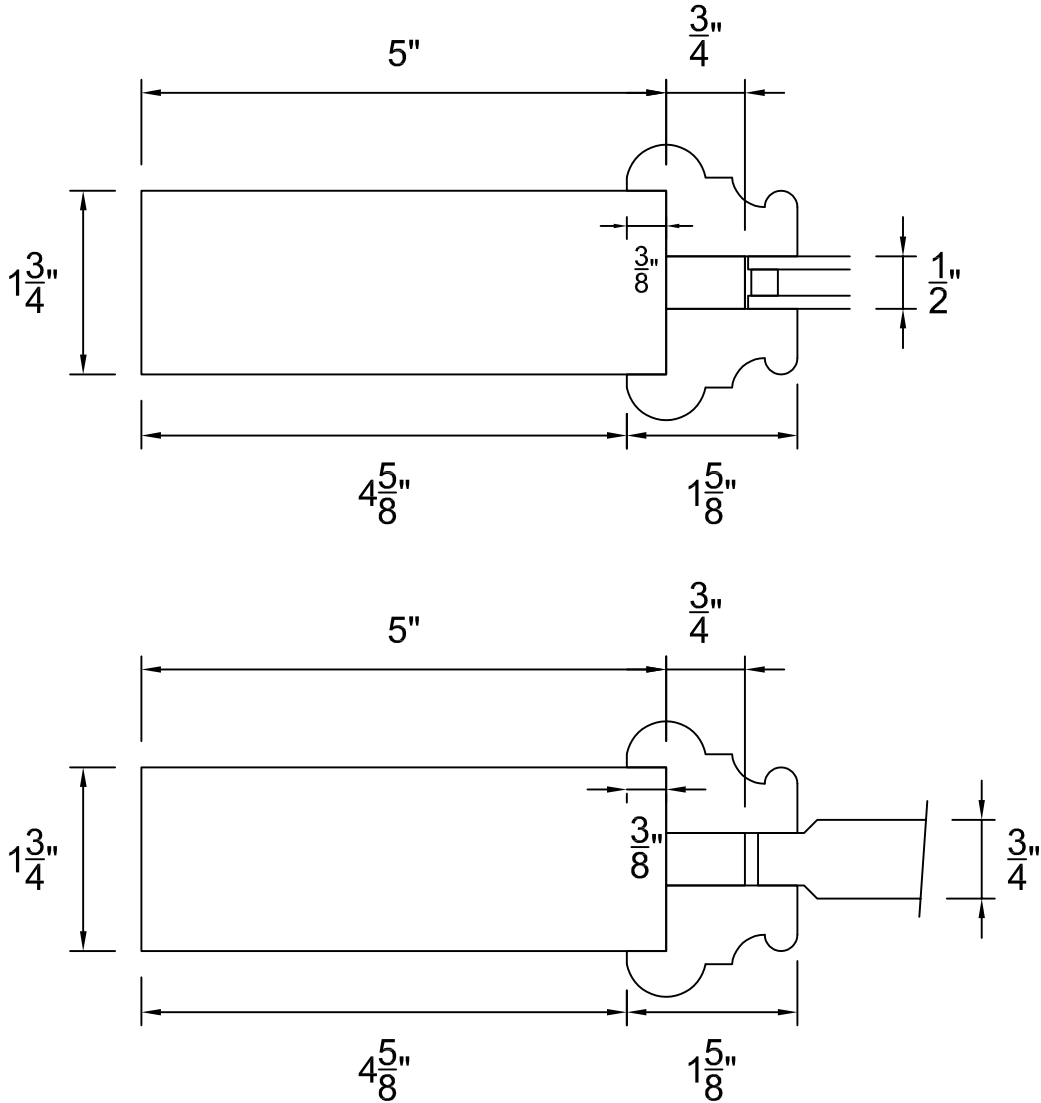
ROUGH OPENING MEASUREMENTS ARE DETERMINED BY ADDING 1" TO THE "OSJ" WIDTH AND 1/2" TO THE "OSJ" HEIGHT

	Dallas Millwork Inc. PO Box 549 Hiram, GA. 30141 770-943-3909 770-943-3900 FAX	Architectural Window Corp.-Boston	DRAWING # ER11182104
	APPROVED BY: X _____	553 Shawmut	DATE: 11-18-21
			REV. #: ER1
			REV DATE: 11-23-21




ROUGH OPENING MEASUREMENTS ARE DETERMINED BY ADDING 1" TO THE "OSJ" WIDTH AND 1/2" TO THE "OSJ" HEIGHT

	Dallas Millwork Inc. PO Box 549 Hiram, GA. 30141 770-943-3909 770-943-3900 FAX	Architectural Window Corp.-Boston	DRAWING # ER11182104
	APPROVED BY: X _____	553 Shawmut	DATE: 11-18-21
			REV. #: ER1
			REV DATE: 11-23-21



carving on exterior side only

ROUGH OPENING MEASUREMENTS ARE DETERMINED BY ADDING 1" TO THE "OSJ" WIDTH AND $\frac{1}{2}$ " TO THE "OSJ" HEIGHT

	Dallas Millwork Inc. PO Box 549 Hiram, GA. 30141 770-943-3909 770-943-3900 FAX	Architectural Window Corp.-Boston	DRAWING # ER11182104
	APPROVED BY: X _____	553 Shawmut	DATE: 11-18-21
			REV. #: ER1
			REV DATE: 11-23-21