



## (2) Existing Rooftop Units to be replaced

**Unit #1**

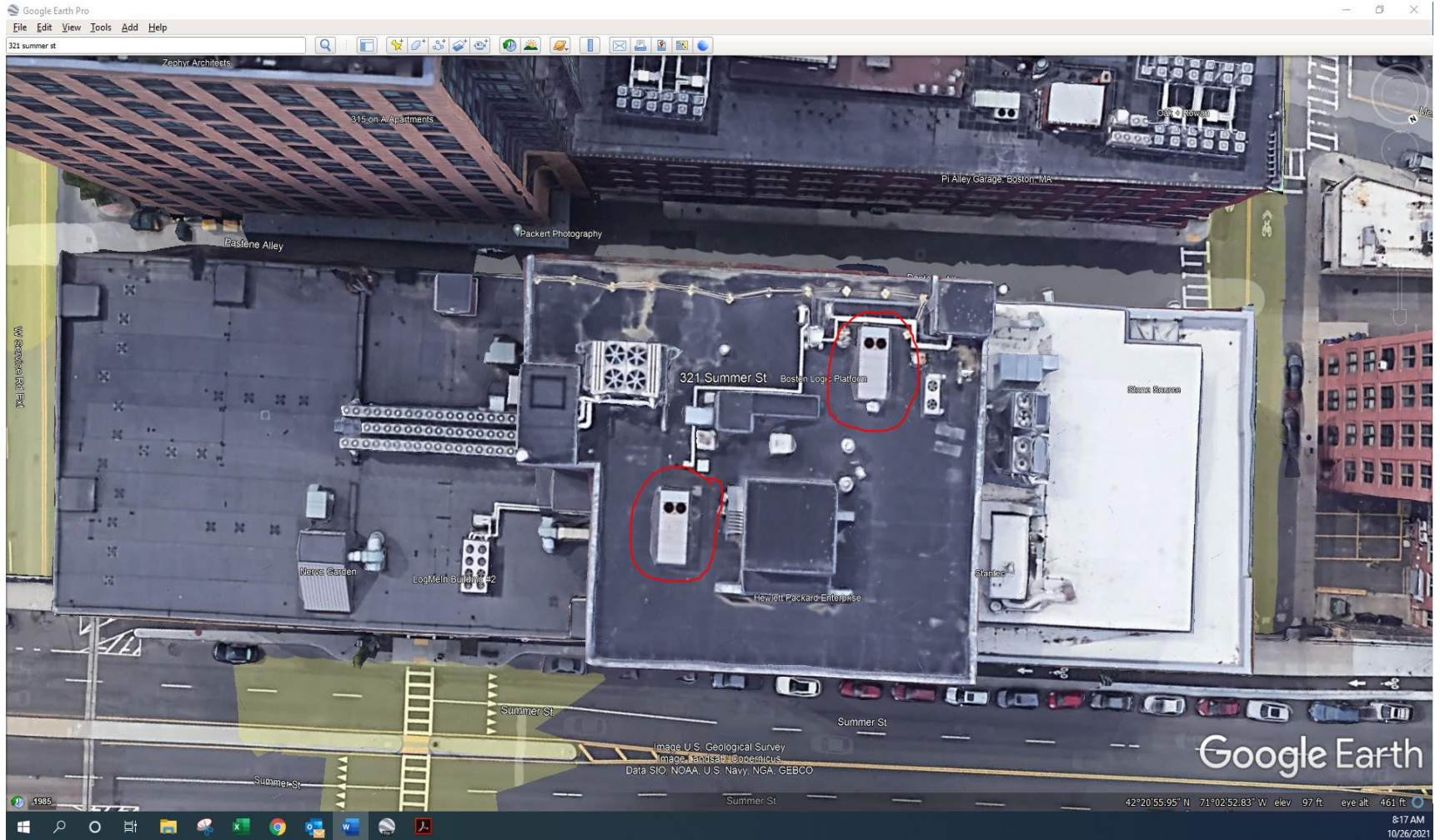


**Unit #2**



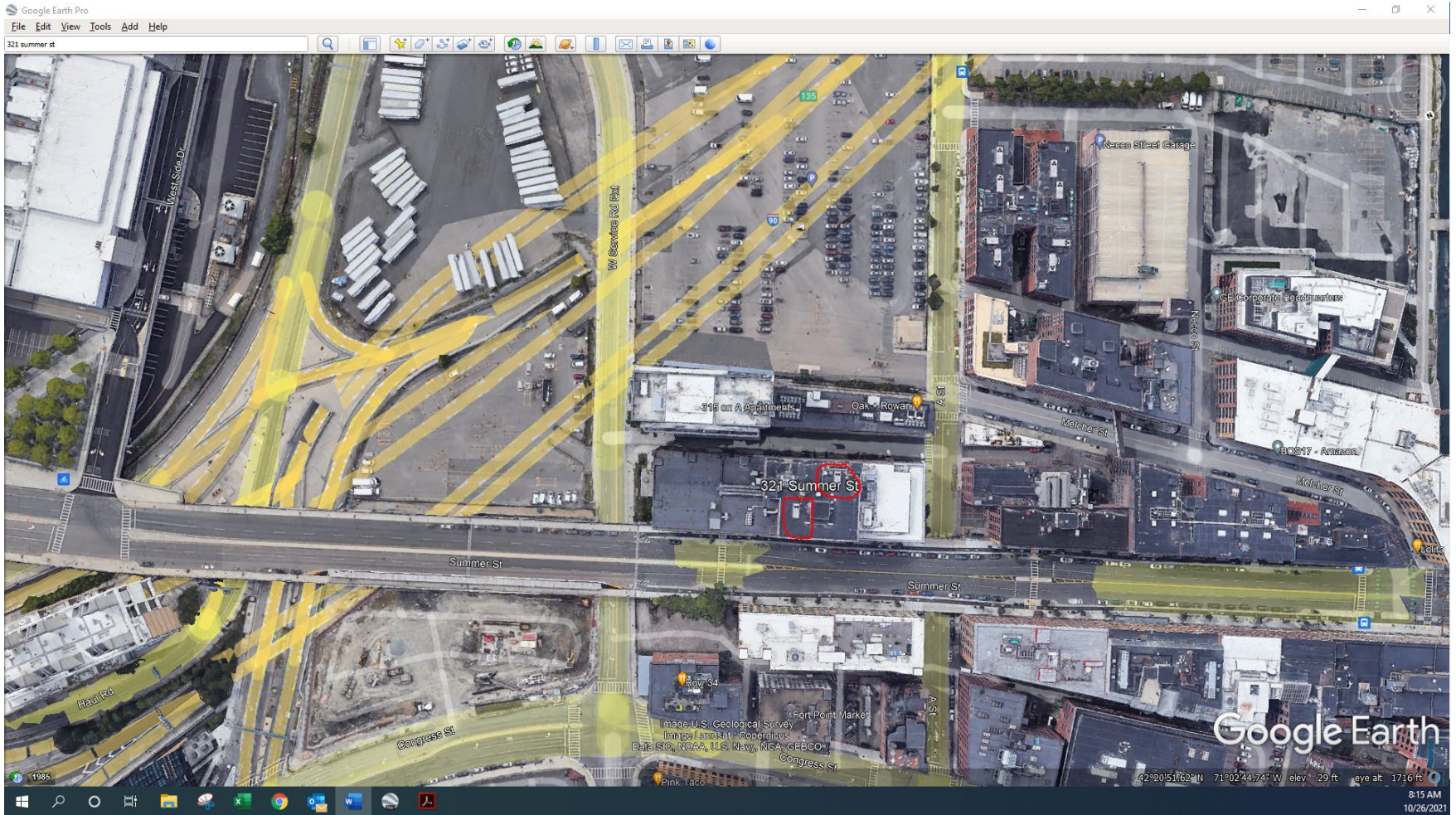


# Aerial View – Google Earth



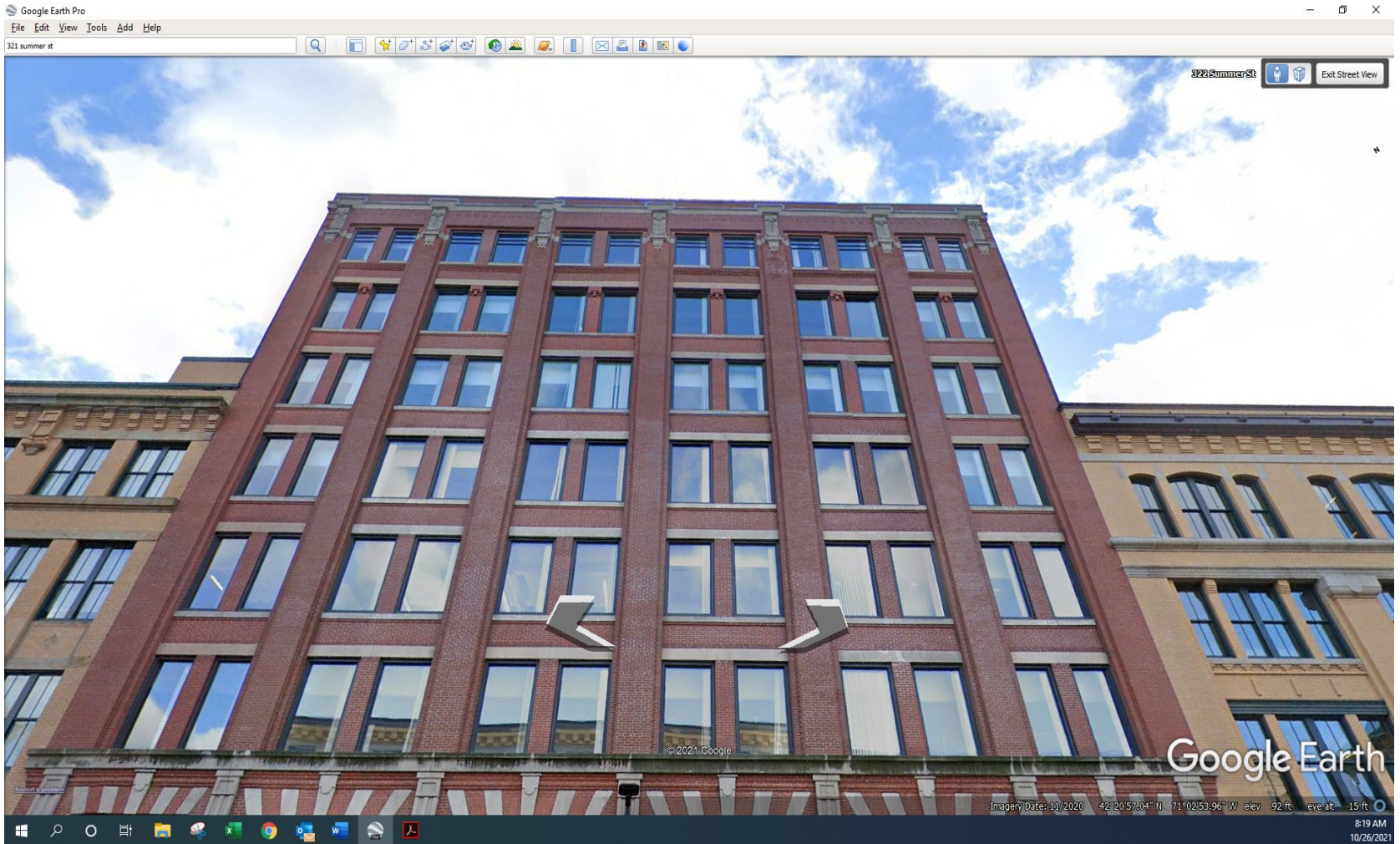


# Aerial View – Google Earth





# Street View – Google Earth – From Summer St





# Street View – Google Earth – From A Street



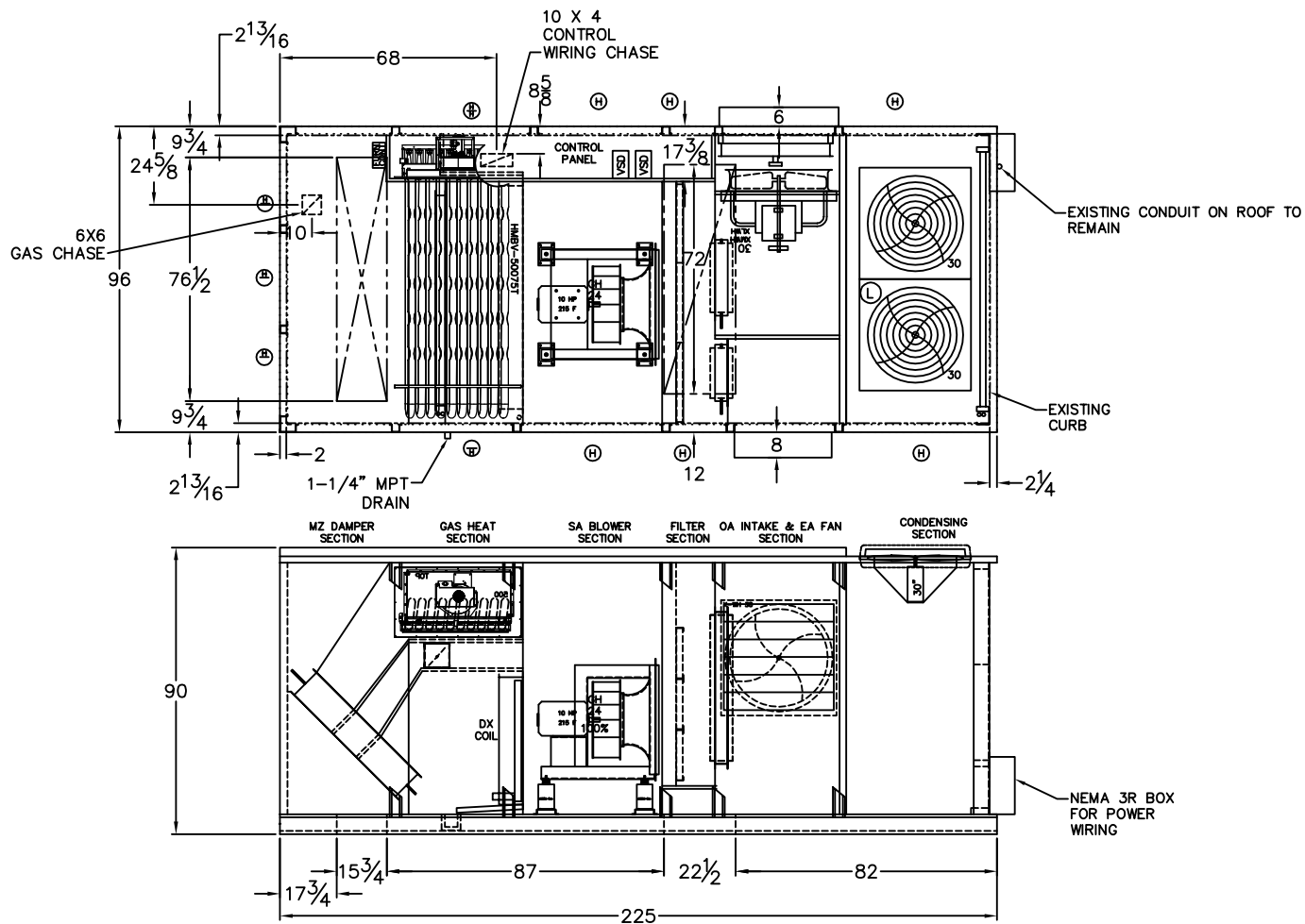
# Owner Information

- 321 Summer Street LLC c/o CBRE, Inc. as Agent
  - 1 Main St, 1<sup>st</sup> Floor
  - Cambridge, MA 02142
- 
- Property Manager: Tom O'Toole 617-922-3750
  - Project Manager: Gary Gobbi 978-265-0309

# Contractor Information

- EMCOR Services Northeast, Inc.
- 80 Hawes Way
- Stoughton, MA 02072
  
- Operations Manager: Paul Feeney 617-293-5062
- Project Manager: Mark Christensen 617-592-7510





**LEGEND**

- (H) HINGED ACCESS DOOR
- (L) LIFT-OFF ACCESS DOOR
- (B) BALANCING DAMPER

NOTE 1: O.A./E.A. LOUVERS, FURNACE VENT CAPS, ETC. MAY REQUIRE FIELD INSTALLATION.  
 NOTE 2: WIDTH SHOWN IS FOR UNIT BASE. ADD APPROX 5" TO ACCOUNT FOR HANDLES, FLANGES, DRAINS, ETC.

NOT TO SCALE

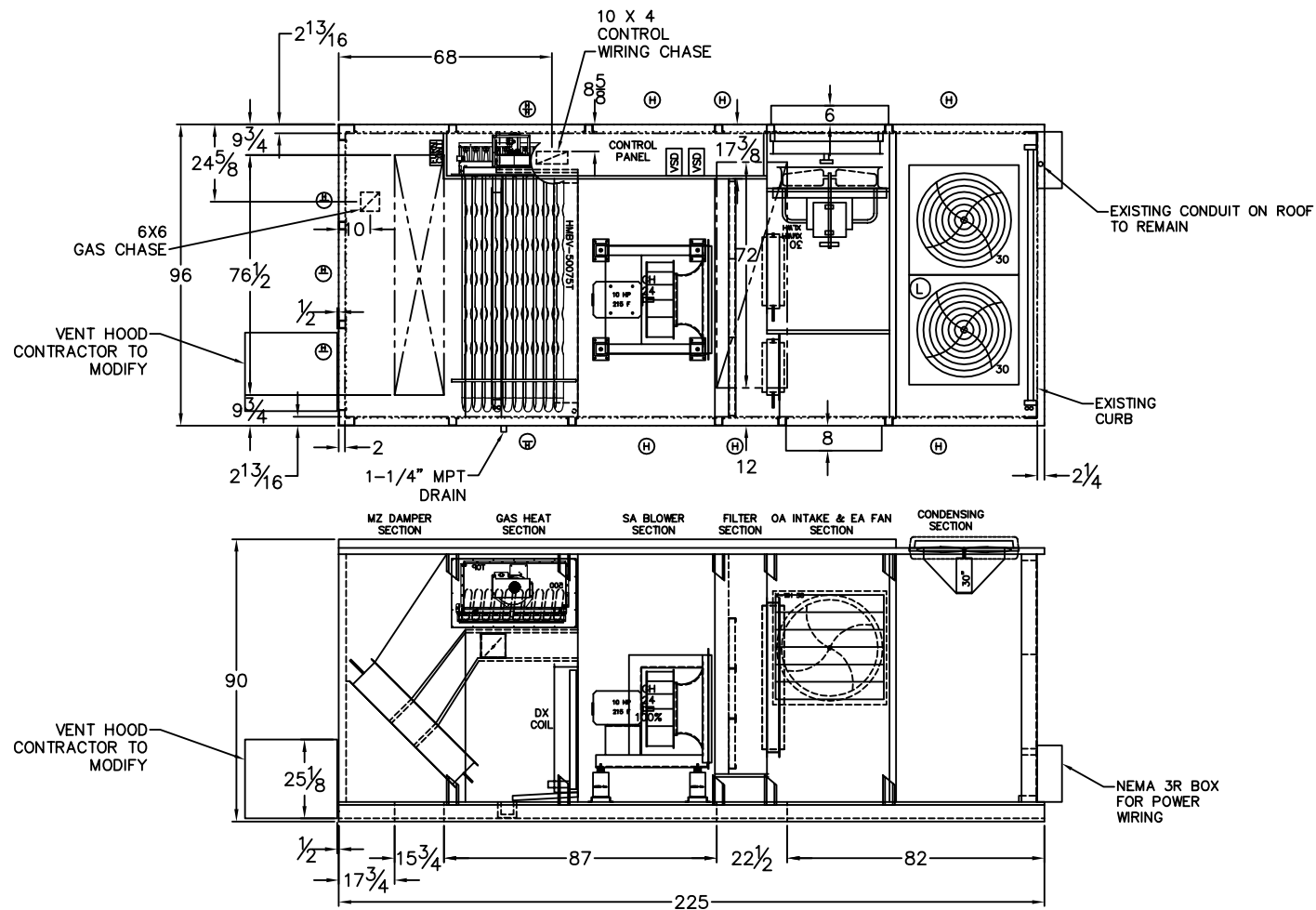
REV #	BY	DATE	DESCRIPTION
0	GWM	08/27/2021	ORIGINAL ISSUE
1	GWM	09/21/2021	REVISED UNIT OVERHANG FOR EXISTING CURB, REMOVED POWER CHASE

DIMENSIONAL DATA  
**321 SUMMER STREET**  
**BOSTON, MA**  
**RTU-1 (EAST)**



Engineering and Manufacturing  
 Specialty HVAC Equipment Since 1971

DWG. NAME    D947D01



**LEGEND**

- (H) HINGED ACCESS DOOR
- (L) LIFT-OFF ACCESS DOOR
- (B) BALANCING DAMPER

NOTE 1: O.A./E.A. LOUVERS, FURNACE VENT CAPS, ETC. MAY REQUIRE FIELD INSTALLATION.

NOTE 2: WIDTH SHOWN IS FOR UNIT BASE. ADD APPROX 5" TO ACCOUNT FOR HANDLES, FLANGES, DRAINS, ETC.

NOT TO SCALE

REV #	BY	DATE	DESCRIPTION
0	GWM	08/27/2021	ORIGINAL ISSUE
1	GWM	09/08/2021	ADDED EXISTING HOOD (OBSTRUCTION) TO DRAWING
2	GWM	09/21/2021	REVISED UNIT OVERHANG FOR EXISTING CURB, REMOVED POWER CHASE

DIMENSIONAL DATA  
**321 SUMMER STREET**  
**BOSTON, MA**  
**RTU-2 (WEST)**



DWG. NAME **D947D02**





# BUILD

GROUNDWATER REPLACEMENT  
HEATING ON-SITE  
METAL SIDINGS  
GOVERNMENT SERVICES  
HIGH-PURITY PIPING  
BUILDING INFORMATION MODELING  
PAGING SYSTEMS  
WARRANTY INSPECTIONS  
LEAD COMPLIANCE  
STRATEGIC SOURCING  
VALUE-ADDED PROCUREMENT  
LEED  
SHEET METAL  
ROADWAY LIGHTING  
FOOD PROCESSING  
VALUE-ADDED PROCUREMENT

# POWER

DUCTWORK  
LABORATORIES  
ITERATION & IMPROVEMENT  
PUNCHLIST COMPLETION  
TEMPERATURE CONTROL  
ENERGY SERVICES  
PLUMBING  
CHILLER SERVICE  
SCADA SYSTEMS  
SEMICONDUCTOR  
PROCUREMENT SERVICES  
THERMAL IMAGING  
WORK ORDER MANAGEMENT  
CARBON FOOTPRINT  
BOILER SERVICES  
BENCHMARKING  
LIFE CYCLE COSTING  
DEMAND CONTROL VENTILATION  
SNOW & ICE REMOVAL  
MAINTENANCE SERVICES  
FIRE ALARM SYSTEMS  
TRAFFIC SIGNAL SYSTEMS  
RENEWABLE ENERGY  
VENTILATION  
DEMAND RESPONSE

# SERVICE

STRUCTURED CABLE SYSTEMS  
DATA CENTERS  
PHARMACEUTICAL  
MOTOR CONTROL  
COMMISSIONING  
HVAC  
TEMPERATURE CONTROL  
CHILLER SERVICE  
SNOW & ICE REMOVAL  
TROOP SUPPORT PROGRAM  
RETIROFIT & REMODEL  
LOAD BALANCING  
BIM  
MECHANICAL SERVICES  
STRUCTURED CABLE SYSTEMS  
HYGIENIC PIPING  
DRY MATERIALS HANDLING  
MISSING KIDS PROGRAM  
FOOD PLANT ENGINEERING  
PUMP STATIONS  
TRAFFIC SIGNAL SYSTEMS  
FUEL CELL INSTALLATION  
INTELLIGENT TRANSPORTATION SYSTEMS

# EMCOR

LASER ALIGNMENT  
MECHANICAL SERVICES  
ALTERNATIVE POWER SOLUTIONS

COGENERATION  
PROTECT  
CAD  
VALUE ENGINEERING  
MATERIALS MANAGEMENT  
INFRARED IMAGING  
PERFORMANCE CONTRACTS  
SERVICE SEMINARS  
ULTRASONIC DETECTION  
ON-SITE TRAINING  
PREVENTIVE MAINTENANCE  
RECOMMISSIONING  
CLEAN ROOM  
CABLE TRAY INSTALLATION  
EXPLOSION-PROOF SYSTEMS  
ENTERTAINMENT  
SUPERVISORY CONTROL  
ELECTRICAL DISTRIBUTION  
DATA ACQUISITION SYSTEMS  
VERTICALLY INTEGRATED  
ARCHITECTURAL SHEET METAL