

77 CHESTNUT STREET: EXTERIOR IMPROVEMENTS

Scope Narrative by Floor:

Level 1

Repaint Garage Door
Repaint Entry Door and Surrounding Wood Paneling
Replace Door Hardware and Accessories
Replace Entry Pendant

Level 2

Repaint Existing Wood Windows

Level 3

Repaint Existing Wood Windows

Level 4

Repaint Brick Wall of Adjacent Building
New Gas Firepit at Roof Deck

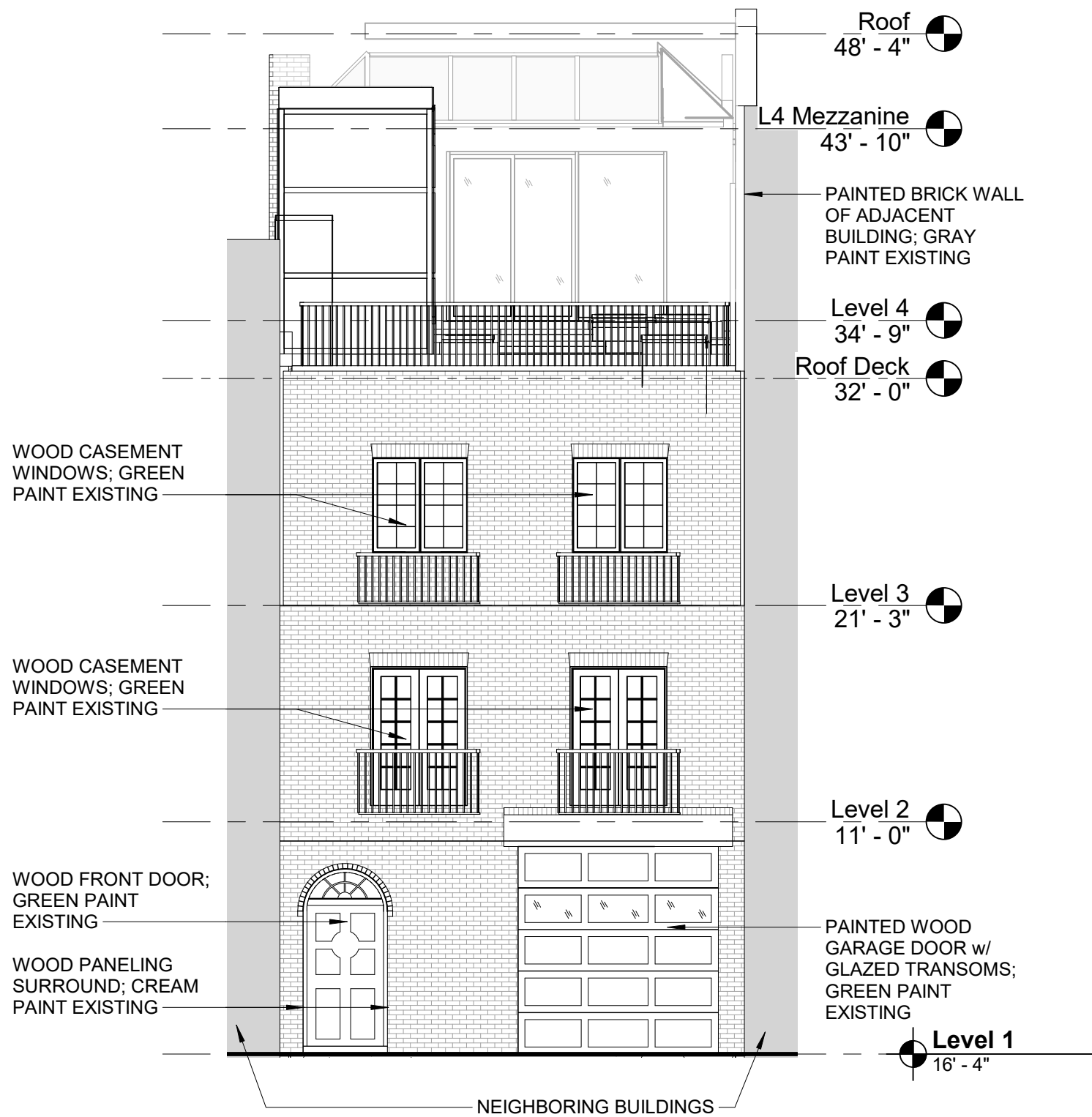
Prepared by:

Hacin + Associates
[architect + design]
500 Harrison Avenue
Studio 4F
Boston, MA 02118
www.hacin.com

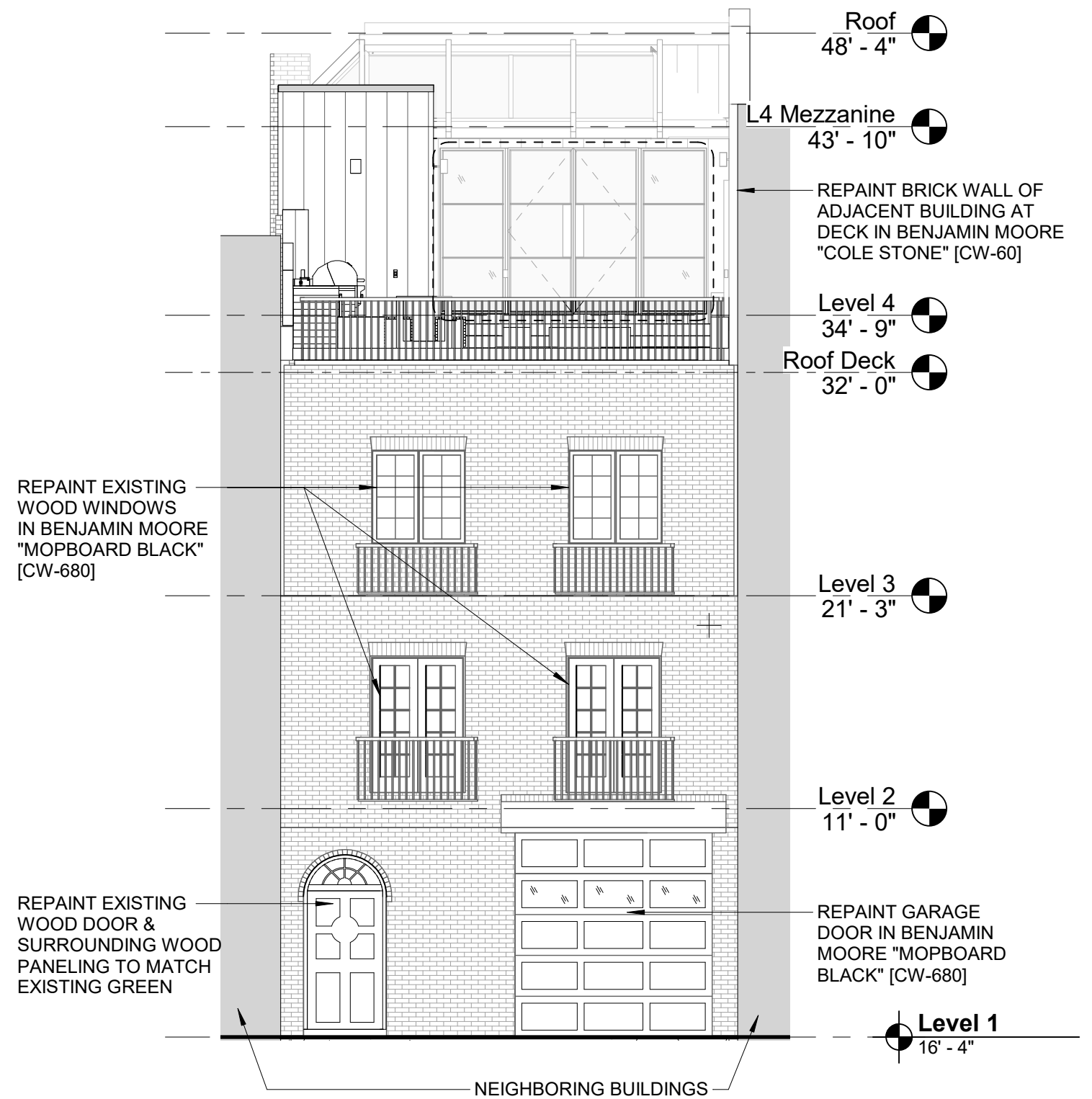
Contact:

Eduardo Serrate
[associate]
eserrate@hacin.com
617-273-9497





EXST | South Elevation Existing
1 : 80

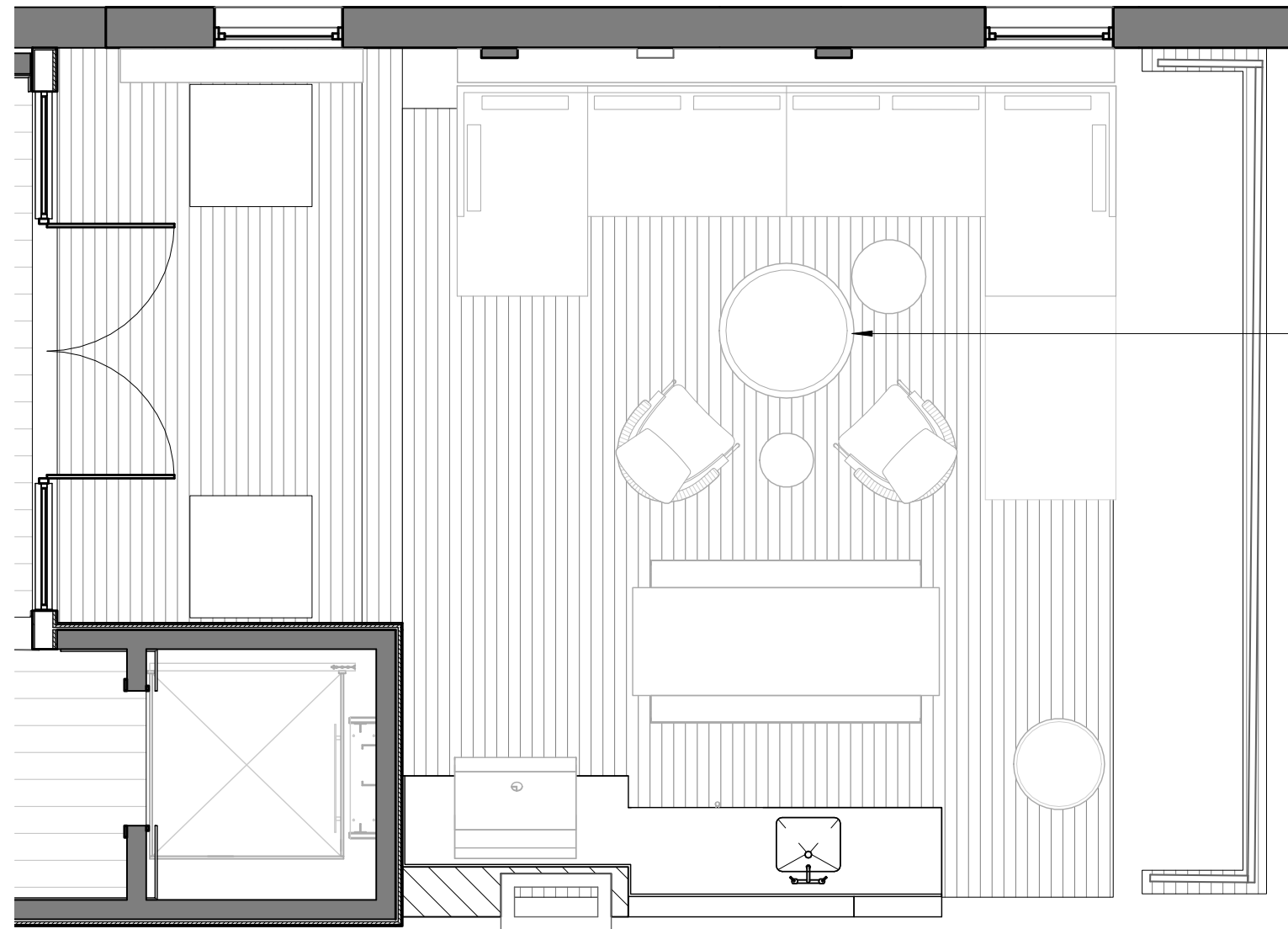


PROP | South Elevation Proposed
1 : 80

77 CHESTNUT STREET - EXTERIOR IMPROVEMENTS

18 NOVEMBER 2021

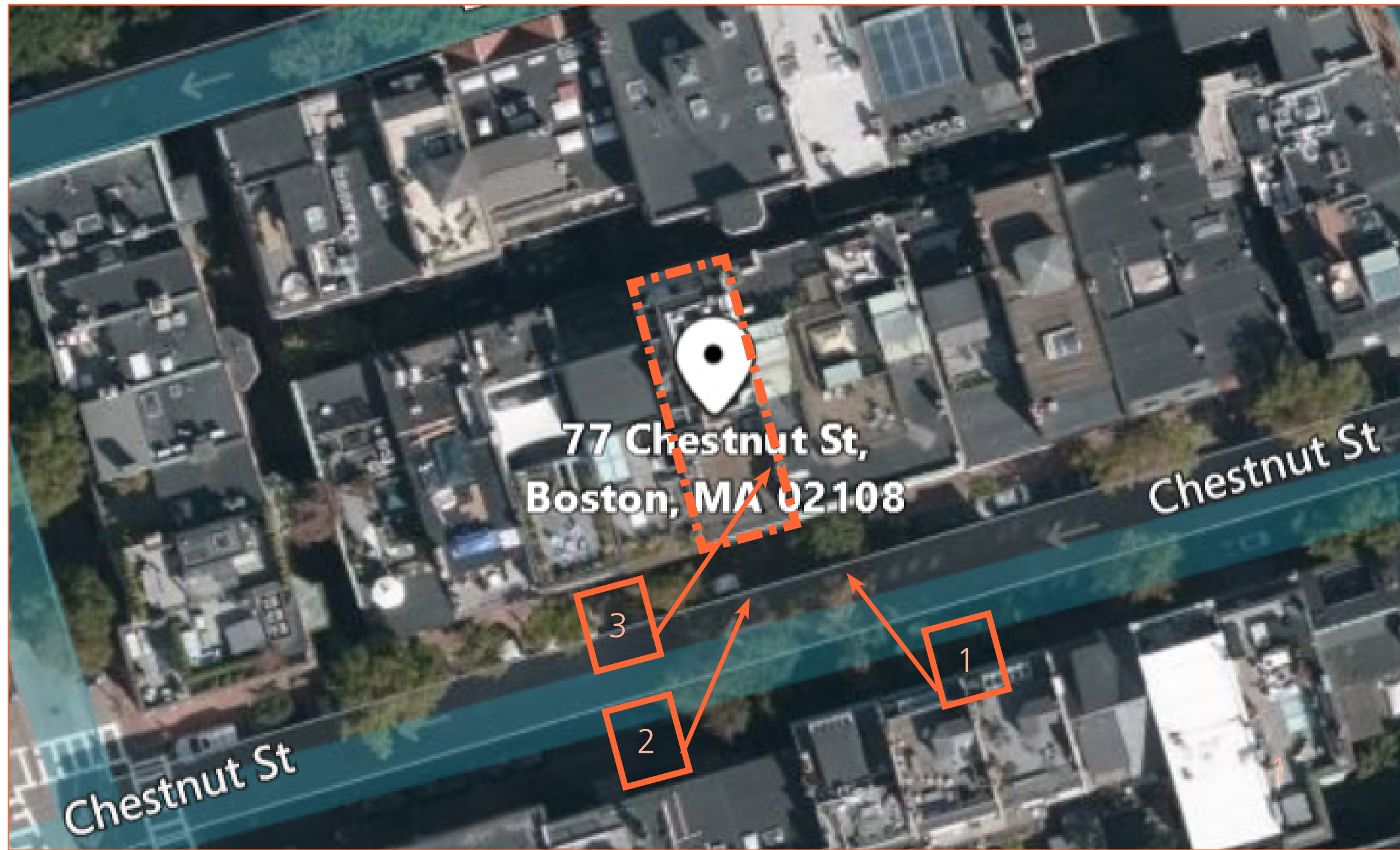




PLUMBED GAS FIREPIT; 40"
DIAMETER, 18" HEIGHT
(NOT VISIBLE FROM STREET)

GAS FIREPIT AT ROOF DECK

1/4" = 1'-0"



77 CHESTNUT STREET - AERIAL WITH PHOTO KEY

18 NOVEMBER 2021



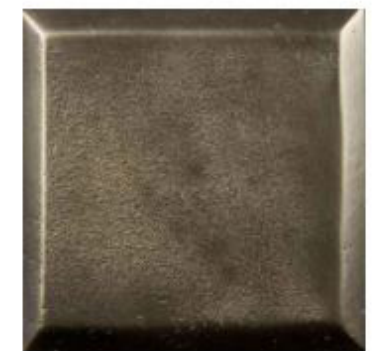
1

1. REPAINT GARAGE DOOR AND WINDOWS IN BENJAMIN MOORE "MOPBOARD BLACK" [CW-680] SEMI-GLOSS FINISH

2. REPAINT FRONT DOOR TO MATCH EXISTING GREEN PAINT. CHANGE SURROUNDING WOOD PANELING PAINT FROM EXISTING OFF-WHITE TO GREEN TO MATCH FRONT DOOR; SEMI-GLOSS FINISH

3. REPLACE DOOR HARDWARE IN SUN VALLEY BRONZE MEDIUM PEWTER GREY PATINA [HANDLE, HOUSE NUMBER, MAIL SLOT]

4. REPLACE DOORBELL STATION; SEE PAGE 8



77 CHESTNUT STREET - EXTERIOR IMPROVEMENTS AND CHANGES ON FRONT FACADE

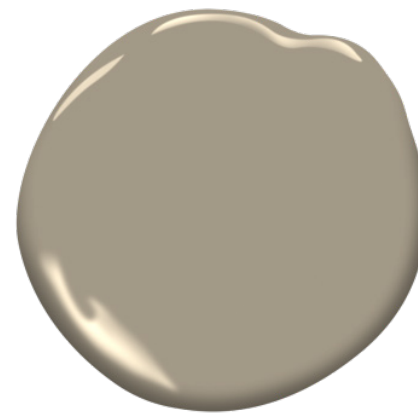
18 NOVEMBER 2021

- 5 -

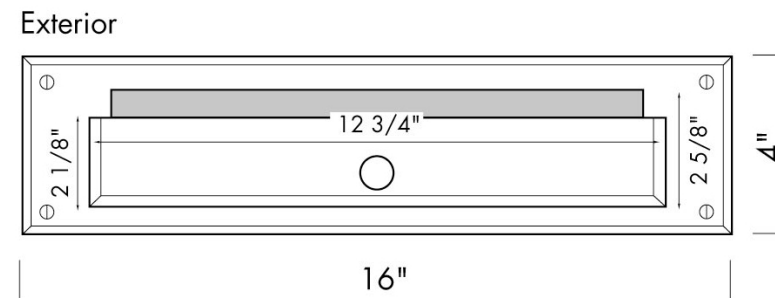


3

- REPAINT BRICK WALL OF ADJACENT BUILDING AT ROOF DECK IN BENJAMIN MOORE "COLE STONE" [CW-60]

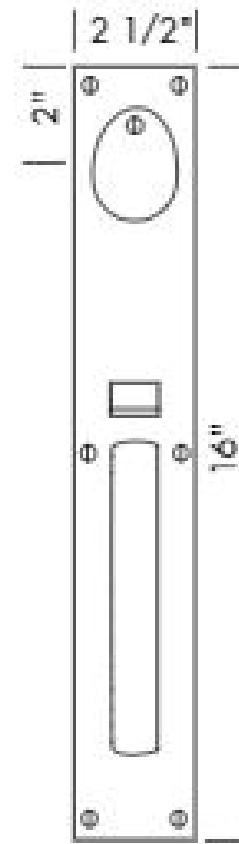


2



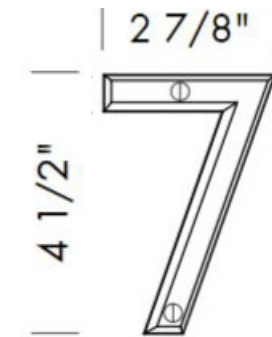
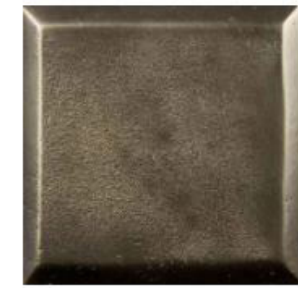
MAIL SLOT

MANUFACTURER: SUN VALLEY BRONZE
MODEL: CS-MLST16
FINISH: W2 MEDIUM PEWTER GREY PATINA



ENTRY DOOR HANDLE

MANUFACTURER: SUN VALLEY BRONZE
MODEL: CS-901
FINISH: W2 MEDIUM PEWTER GREY PATINA



HOUSE NUMBER

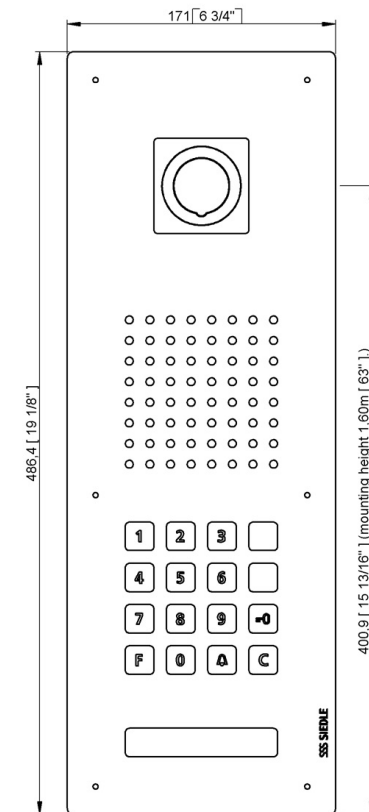
MANUFACTURER: SUN VALLEY BRONZE
MODEL: HN-7 BEVEL COLLECTION
FINISH: W2 MEDIUM PEWTER GREY PATINA

77 CHESTNUT - FRONT DOOR HARDWARE SPECIFICATIONS

18 NOVEMBER 2021

- 7 -



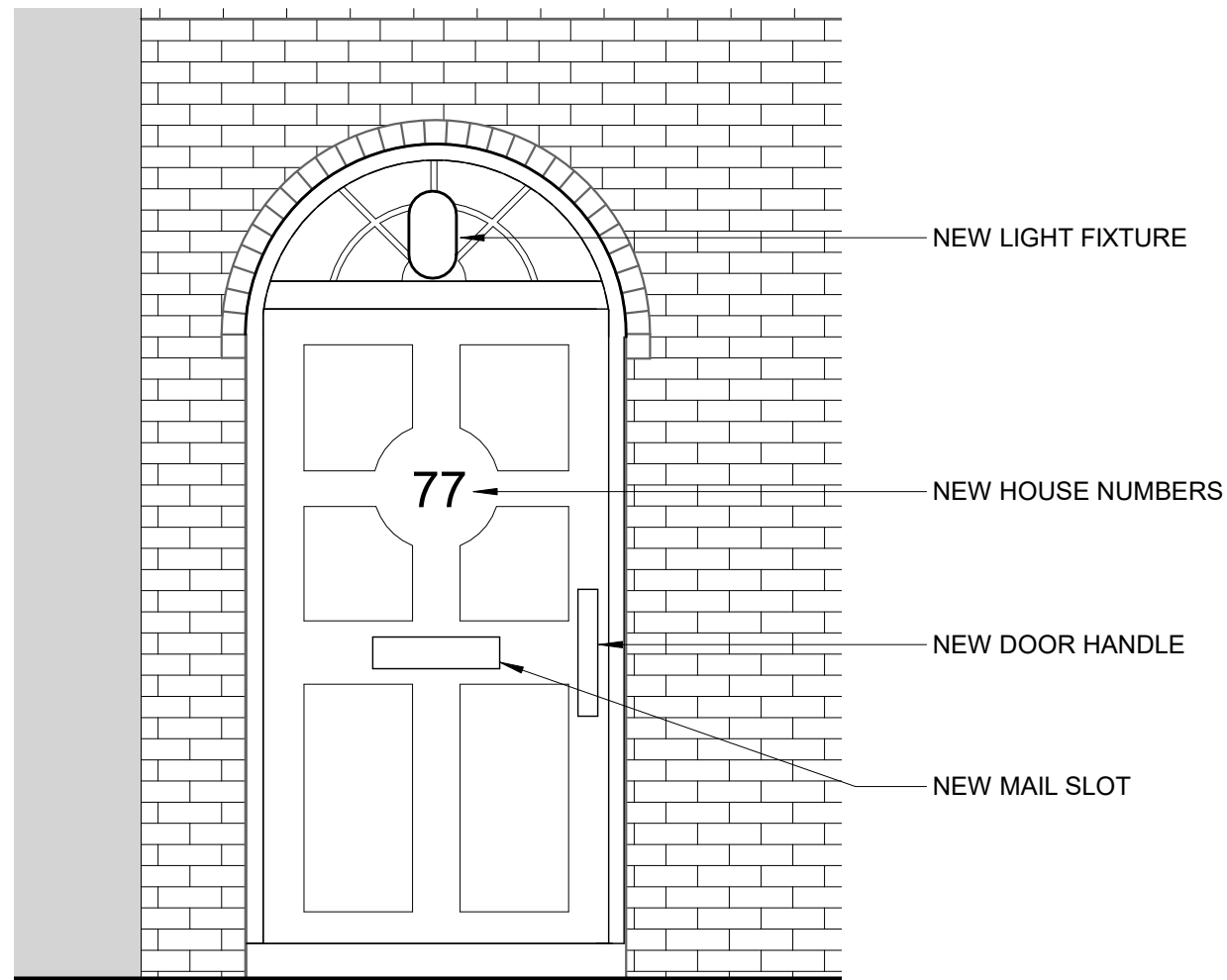


DOOR BELL STATION

MANUFACTURER: SIEDLE

MODEL: CLASSIC

FINISH: PVD BLACK



1 | Entry Door Proposed
1/2" = 1'-0"



FRONT DOOR LIGHT FIXTURE

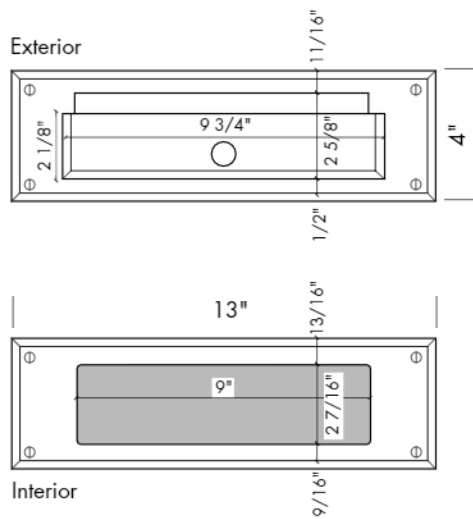
MANUFACTURER: CRYSTORAMA
 MODEL: CAPSULE #CAP-8505-MK-TG
 FINISH: MATTE BLACK AND TEXTURED GOLD
 DIMENSIONS: 6"W X 11"H

77 CHESTNUT - FRONT DOOR LIGHTING SPECIFICATION

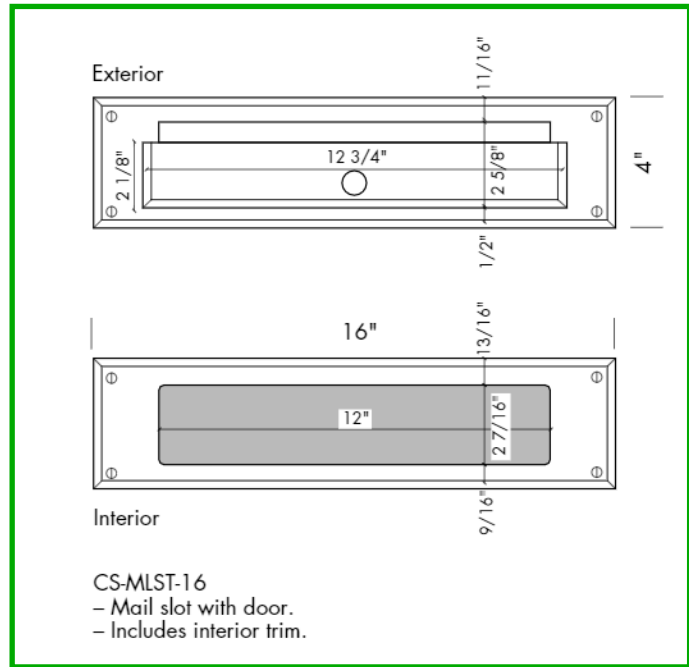
18 NOVEMBER 2021



Illustrations are for demonstration purposes only.



CS-MLST-13
 - Mail slot with door.
 - Includes interior trim.



CS-MLST-16
 - Mail slot with door.
 - Includes interior trim.

Mail slots.

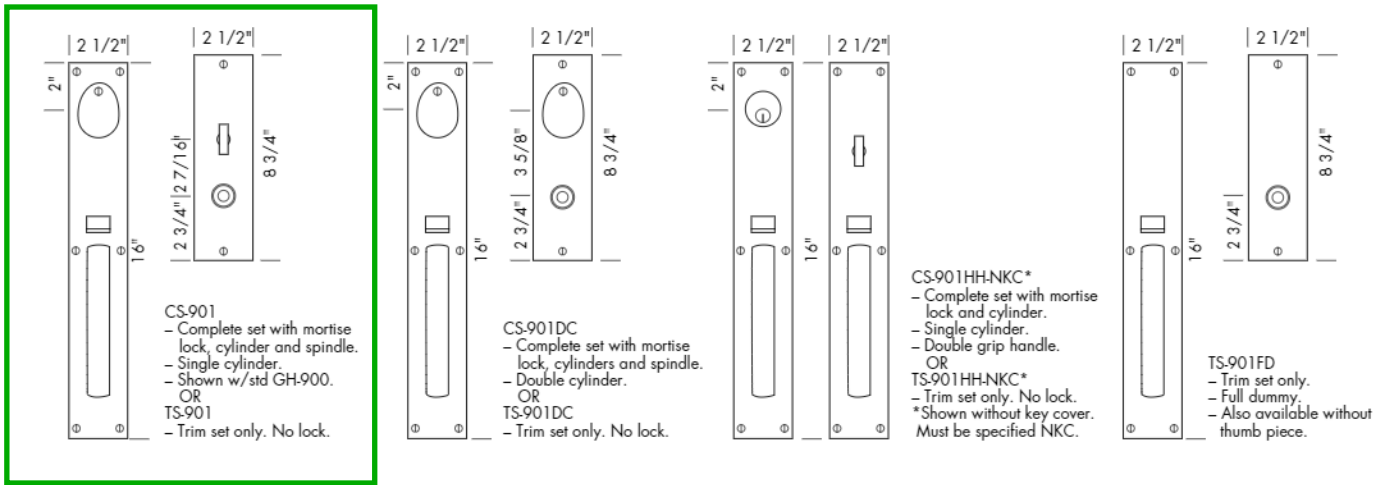
CS-MLST13	Mail slot w/ door & interior trim. 13" w/13" interior trim.
MLST-13EXT	13" Exterior mail slot trim only.
MLST-13INT	13" Interior mail slot trim only.
CS-MLST-13LC	Mail slot w/latch cam door & interior trim. 13" w/13" interior trim.
MLST-13EXT-LC	13" Exterior mail slot trim w/latch cam door.
CS-MLST16	Mail slot w/ door & interior trim. 16" w/16" interior trim.
MLST-16EXT	16" Exterior mail slot trim only.
MLST-16INT	16" Interior mail slot trim only.
CS-MLST-16LC	Mail slot w/latch cam door & interior trim. 16" w/16" interior trim.
MLST-16EXT-LC	16" Exterior mail slot trim w/latch cam door.

PROPRIETARY AND CONFIDENTIAL: The information contained in this drawing is the sole property of Sun Valley Bronze. Any reproduction in part or as a whole without the written permission of Sun Valley Bronze is prohibited.



901 CONTEMPORARY HANDLE ENTRY SETS

Illustrations are for demonstration purposes only. Any knob, lever or ring pull can be combined with any style or size escutcheon plate. Additional functions available.



Complete sets with cylinder(s), spindle and emergency egress mortise lock (except where noted non-egress).

CS-901	Single cylinder. Handle x lever/knob. EP-901ML-KC (ext) EP-953ML-TPC (int)*
CS-901DC	Double cylinder. Handle x lever/knob. Non-egress. EP-901ML-KC (ext) EP-953ML-KC (int)*
TS-901FD	Full dummy. Handle x lever/knob. No key cover or turn piece. EP-901D (ext) P-953D (int)**
CS-901HH	Single cylinder. Handle x handle. EP-901ML-NKC (ext) EP-901ML-TPC (int)*
CS-901HH-DC	Double cylinder. Handle x handle. Non-egress. EP-901ML-KC (ext) EP-901ML-KC (int)* (Not shown)
TS-901HH-FD	Full dummy. Handle x handle. No key cover or turn piece. EP-901D (ext) EP-901D (int)** (Not shown)

Accurate 9100 Series mortise lock 2 1/2" or 2 3/4" backset standard.

Additional functions and custom backsets available. Call for options and pricing.

Door handing and thickness is required for all handle entry sets.

Specify lever/knob design where applicable.

*Upcharge for doors over 2 1/4" thick. Refer to Parts, Miscellaneous Upcharges UC-2 through UC-4.

**Dummy trim is available without thumb piece. Please specify.

Total cylinder height 3/8".

Trim sets for mortise lock with spindle, no lock or cylinder(s) included.

TS-901	Single cylinder. Handle x lever/knob. EP-901ML-KC (ext) EP-953ML-TPC (int)
TS-901DC	Double cylinder. Handle x lever/knob. Non-egress. EP-901ML-KC (ext) EP-953ML-KC (int)
TS-901FD	Full dummy. Handle x lever/knob. No key cover or turn piece. EP-901D (ext) P-953D (int)*
TS-901HH	Single cylinder. Handle x handle. EP-901ML-NKC (ext) EP-901ML-TPC (int)
TS-901HH-DC	Double cylinder. Handle x handle. Non-egress. EP-901ML-KC (ext) EP-901ML-KC (int) (Not shown)
TS-901HH-FD	Full dummy. Handle x handle. No key cover or turn piece. EP-901D (ext) EP-901D (int)* (Not shown)

Specify manufacturer and function of lock to be used.

Door handing and thickness is required for all handle entry sets.

Specify lever/knob design where applicable.

*Dummy trim is available without thumb piece. Please specify.

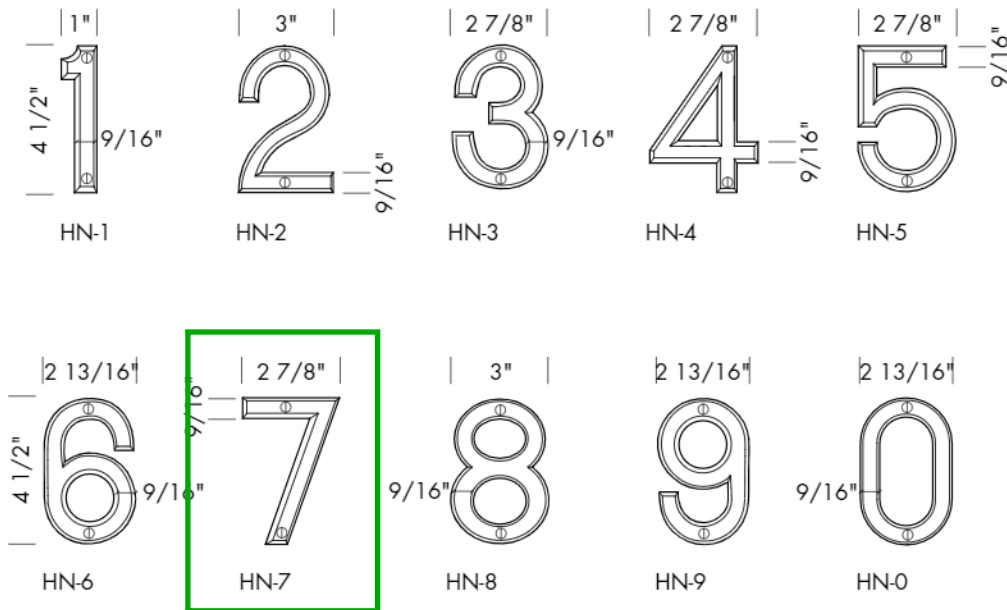
Total cylinder height 3/8".

PROPRIETARY AND CONFIDENTIAL: The information contained in this drawing is the sole property of Sun Valley Bronze. Any reproduction in part or as a whole without the written permission of Sun Valley Bronze is prohibited.



HN-1 – HN-0 HOUSE NUMBERS

Illustrations are for demonstration purposes only.



Standard house numbers.

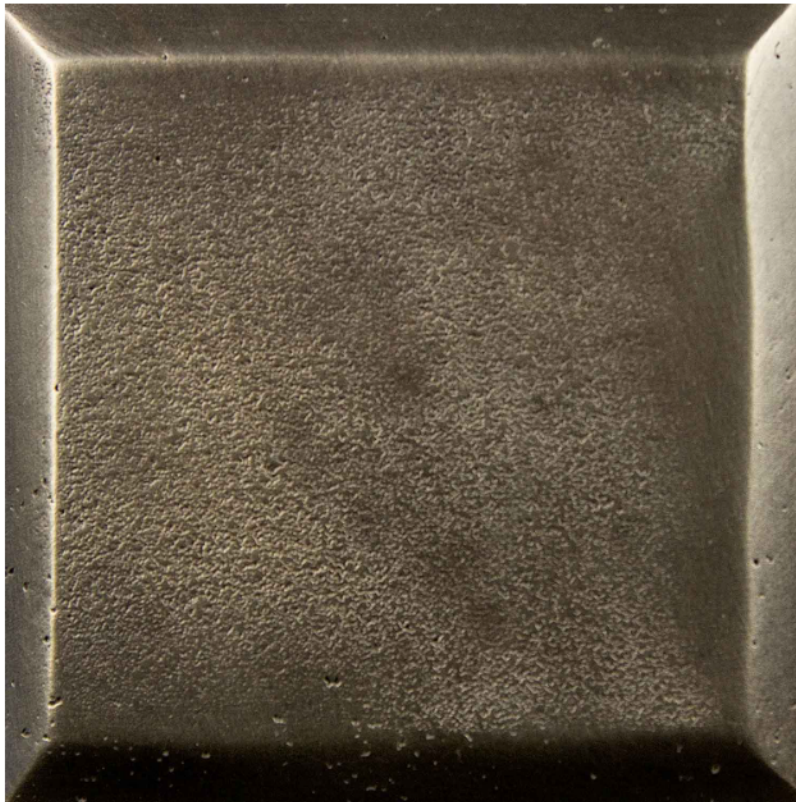
HN-1	4 1/2" Surface mount house number 1.
HN-2	4 1/2" Surface mount house number 2.
HN-3	4 1/2" Surface mount house number 3.
HN-4	4 1/2" Surface mount house number 4.
HN-5	4 1/2" Surface mount house number 5.
HN-6	4 1/2" Surface mount house number 6.
HN-7	4 1/2" Surface mount house number 7.
HN-8	4 1/2" Surface mount house number 8.
HN-9	4 1/2" Surface mount house number 9.
HN-0	4 1/2" Surface mount house number 0.

#6 x 1" Wood screws provided.

PROPRIETARY AND CONFIDENTIAL: The information contained in this drawing is the sole property of Sun Valley Bronze. Any reproduction in part or as a whole without the written permission of Sun Valley Bronze is prohibited.



FINISH W2
Medium Pewter Grey Patina
(similar to US15A)



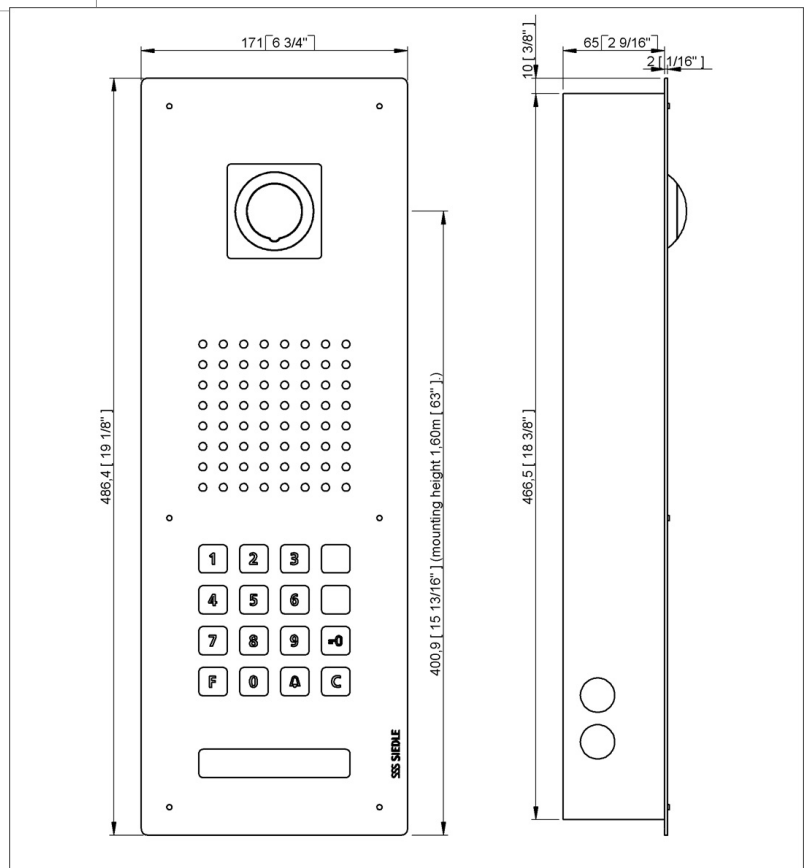
Funktionseinheit Video-
Türstation Siedle Classic
F CL V130 COM 01 B-01

210009960

Seite 2



Zeichnungen / Montage



CRYSTORAMA



CAPSULE COLLECTION

CAP-8505-MK-TG

Product Name: Brian Patrick Flynn for Crystorama

Capsule Outdoor 1 Light Pendant

Dimensions: w6.00 x h11.00(in)

Total Number Lights: 1

External Lights: 1

Total Wattage: 60

Bulb Type: E26 Medium

Material: Steel + Glass

Finish: Matte Black+Textured Gold

Canopy Size: W6" x H.5"

Chain or Rod/Wire Length: 72"/144

Item Weight: 4

Package Weight: 0

Shade Size: W6" x H5.25"

www.CRYSTORAMA.com