

Project No. 200563

One Medical Signage Package

26 Thomson Place
Boston, MA 02210

 **one medical**

IDENTITI

Front (East) Store Elevation

S1-1

Proposed Signage = 1.0 SF

Relevant Signage Code

2 SFper linear foot of aggregated frontage total
 Projection Sign (1 Per Entrance): NTE 6' projection;
 Min. of 18' of frontage required; NTE 24 Square Feet;
 Sign placement 10Ft. AFF
 Window Signs: NTE 30% of total window area

Sign Type

Plaque

Mounting

Flush Mounted

Color Palette

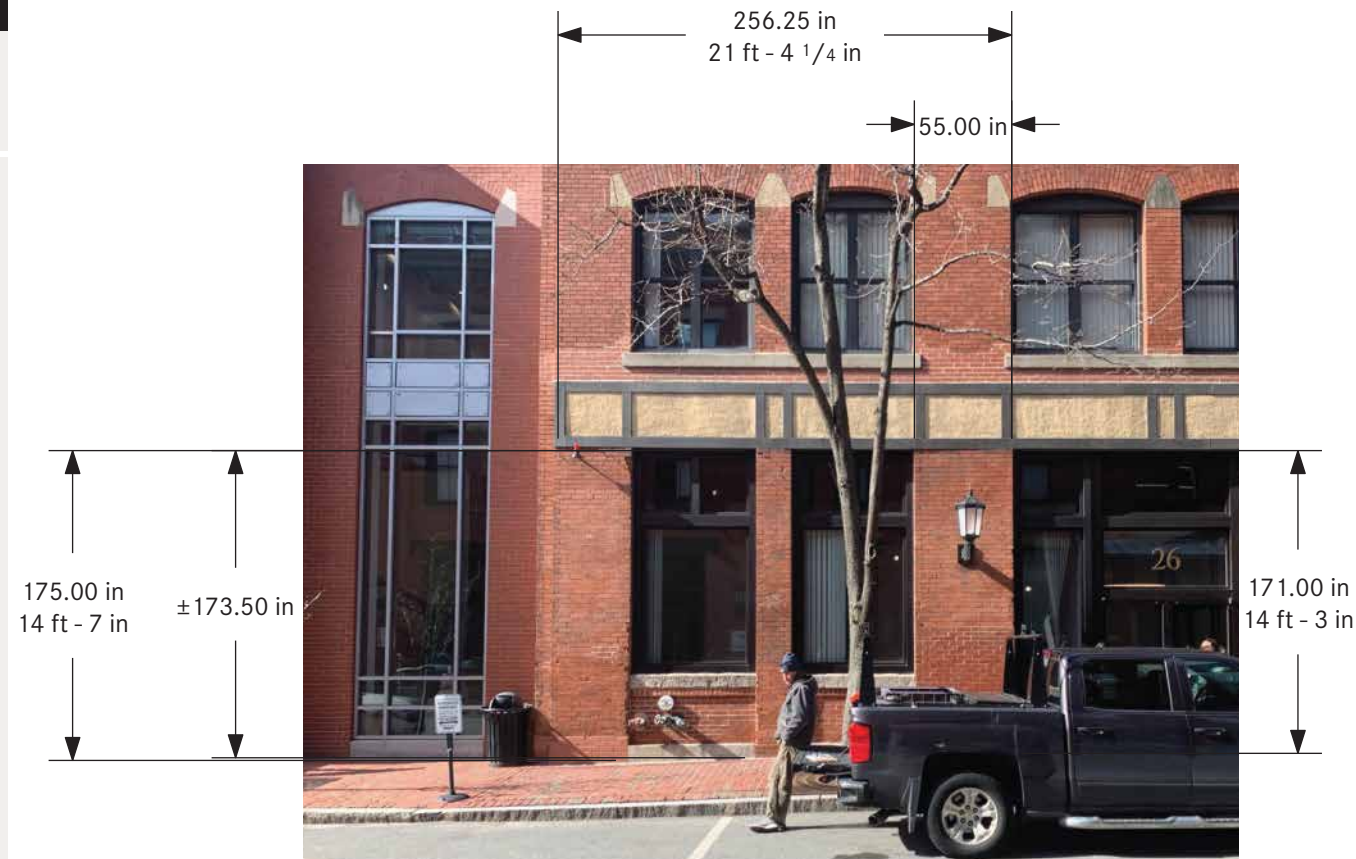
- Acrylic: White
- Panel: PMS 2333 C
- N/A
- N/A
- N/A

Project No. 200563
 Project One Medical
 Location 26 Thomson Place
 Boston, MA 02210

Orig. Draft 04.19.20
 Project Mgr. Caleb Little
 Designer Liz
 Rev. Art Lila Roblin
 Rev. Date 07.30.2020
 Page Rev. 004
 Rev. Details Revised Address & Sign Placement

This sign design is exclusive property of Identiti Resources, LTD., and is the result of the original and creative work of it's employees. This drawing is submitted to the customer for the sole purpose of purchase of the design or signage manufactured to this design, by Identiti Resources, LTD. Distribution to or use of this sign design by anyone outside of the customer's organization, without expressed, written authorization by Identiti Resources, LTD. is prohibited.

IDENTITI
 425 N Martingale Rd
 18th Floor
 Schaumburg, IL 60173
 Office 847.301.0510
 identiti.net



▲ **EXISTING**

Entry to be remodeled.

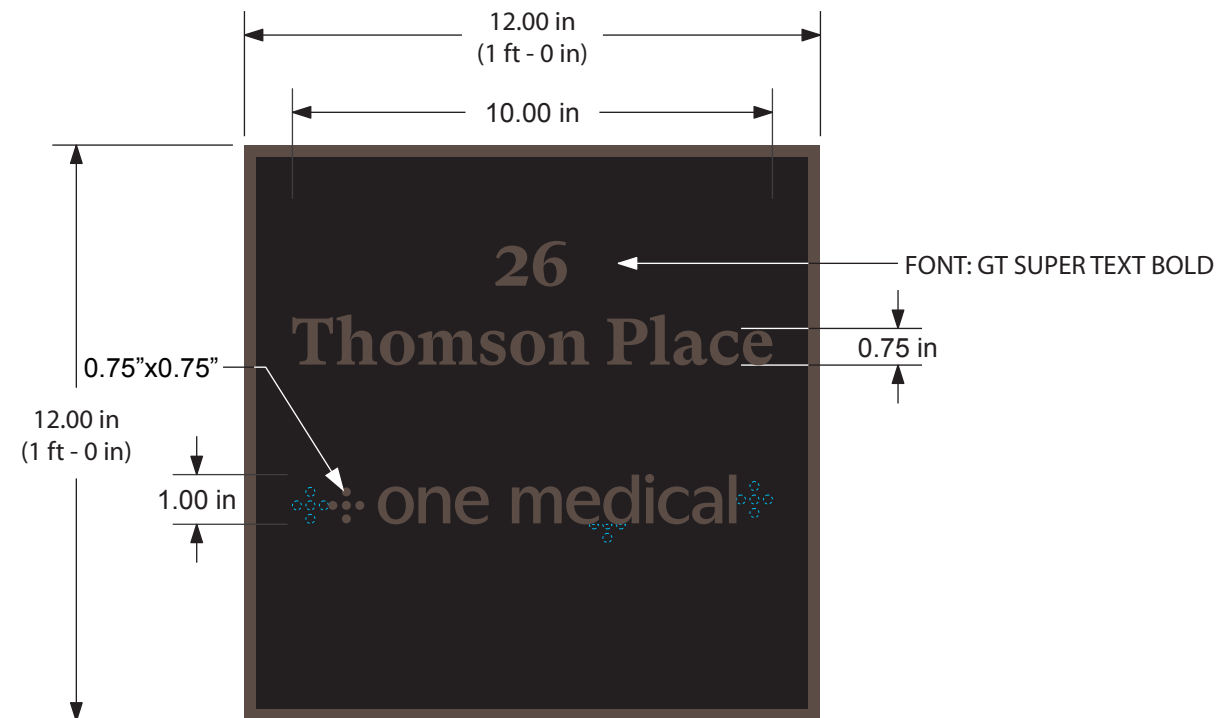


▲ **PROPOSED**

Plaque to be centered under light fixture

New Entry

FIELD VERIFICATION REQUIRED



FRONT VIEW



PROFILE VIEW

BS1-1

Proposed Signage = 4.5 SF

Relevant Signage Code

2 SFper linear foot of aggregated frontage total
 Projection Sign (1 Per Entrance): NTE 6' projection;
 Min. of 18' of frontage required; NTE 24 Square Feet;
 Sign placement 10Ft. AFF
 Window Signs: NTE 30% of total window area

Sign Type

Routed Aluminum Blade Sign
 w/ Push-Thru Acrylic

Mounting

Side Mounted to Facade

Color Palette

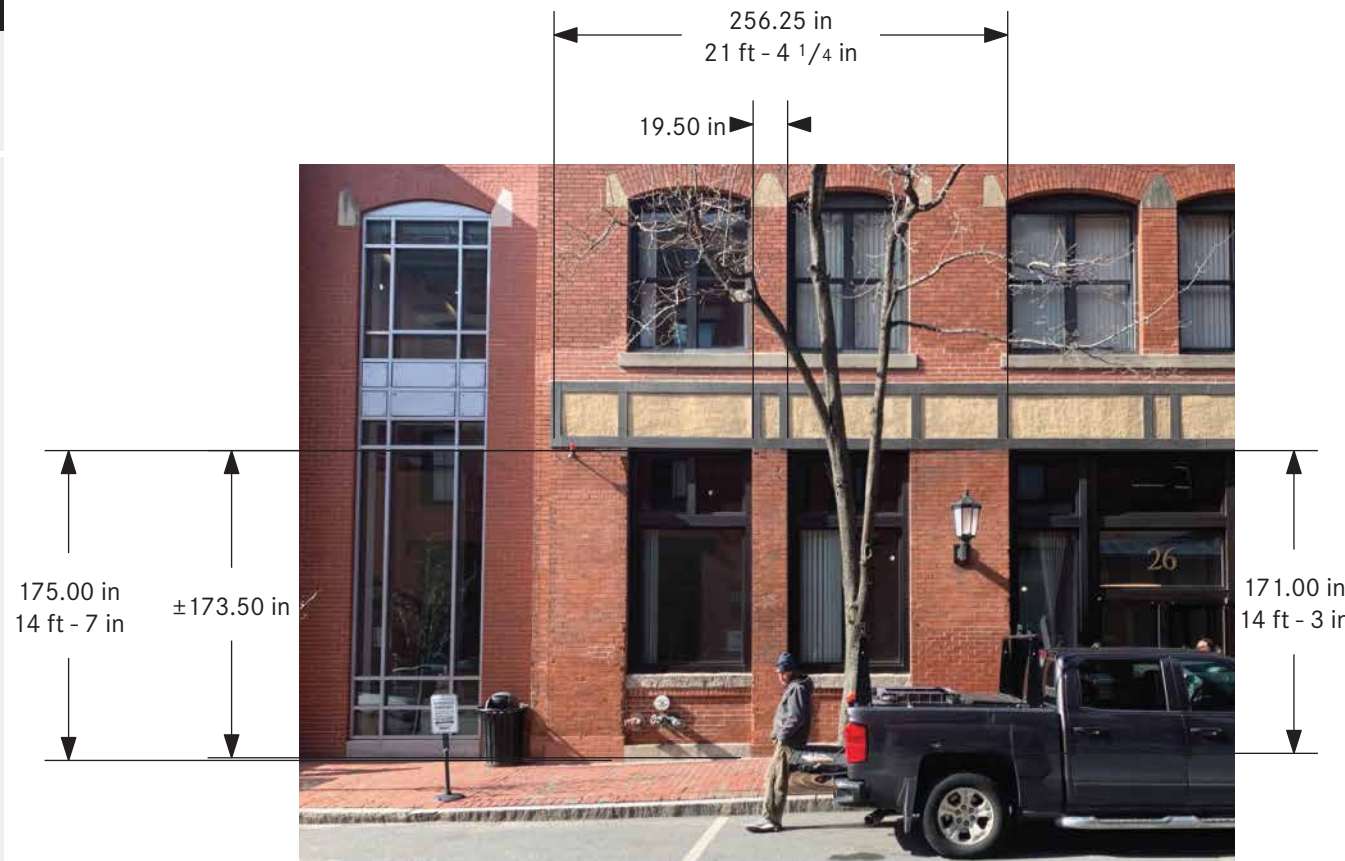
- Acrylic: White
- Panel: PMS 2333 C
- N/A
- N/A
- N/A

Project No. 200563
Project One Medical
Location 26 Thomson Place
 Boston, MA 02210

Orig. Draft 04.19.20
Project Mgr. Caleb Little
Designer Liz
Rev. Art Stephanie
Rev. Date 10.13.2020
Page Rev. 007
Rev. Details Revised logo size

This sign design is exclusive property of Identiti Resources, LTD., and is the result of the original and creative work of it's employees. This drawing is submitted to the customer for the sole purpose of purchase of the design or signage manufactured to this design, by Identiti Resources, LTD. Distribution to or use of this sign design by anyone outside of the customer's organization, without expressed, written authorization by Identiti Resources, LTD. is prohibited.

IDENTITI
 425 N Martingale Rd
 18th Floor
 Schaumburg, IL 60173
 Office 847.301.0510
 identiti.net

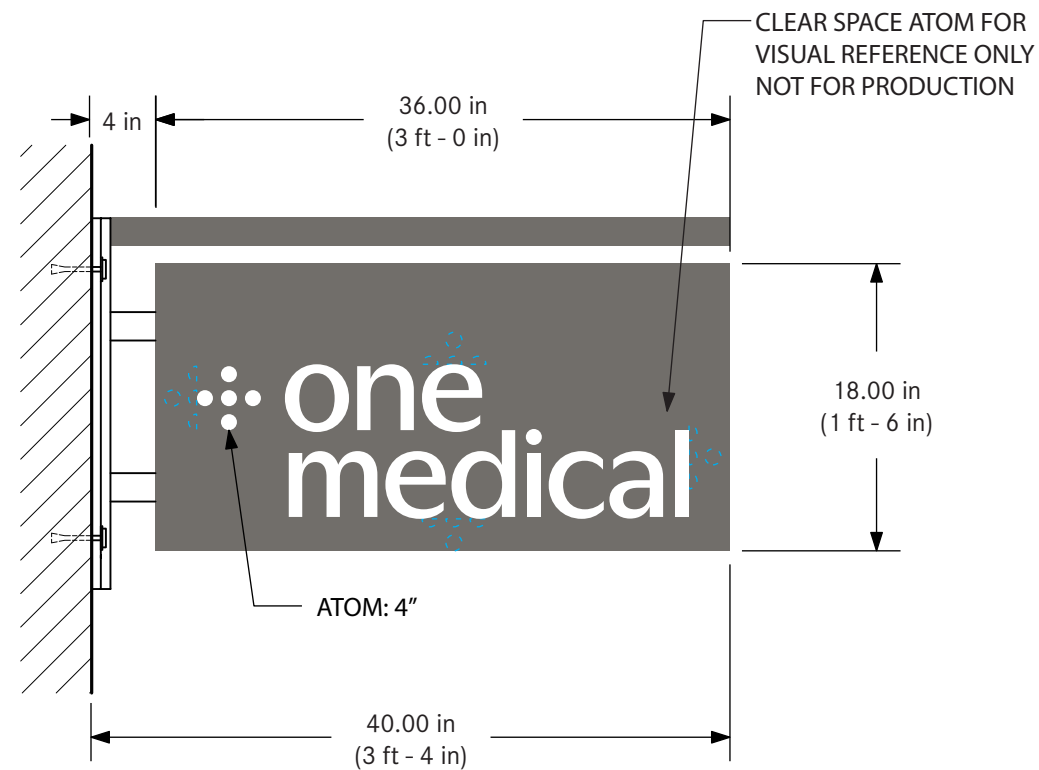


▲ EXISTING

Entry to be remodeled.



▲ PROPOSED



V1-1

Proposed Signage = 0.6 SF

Relevant Signage Code
N/A

Sign Type
Applied Vinyl

Mounting
Second Surface

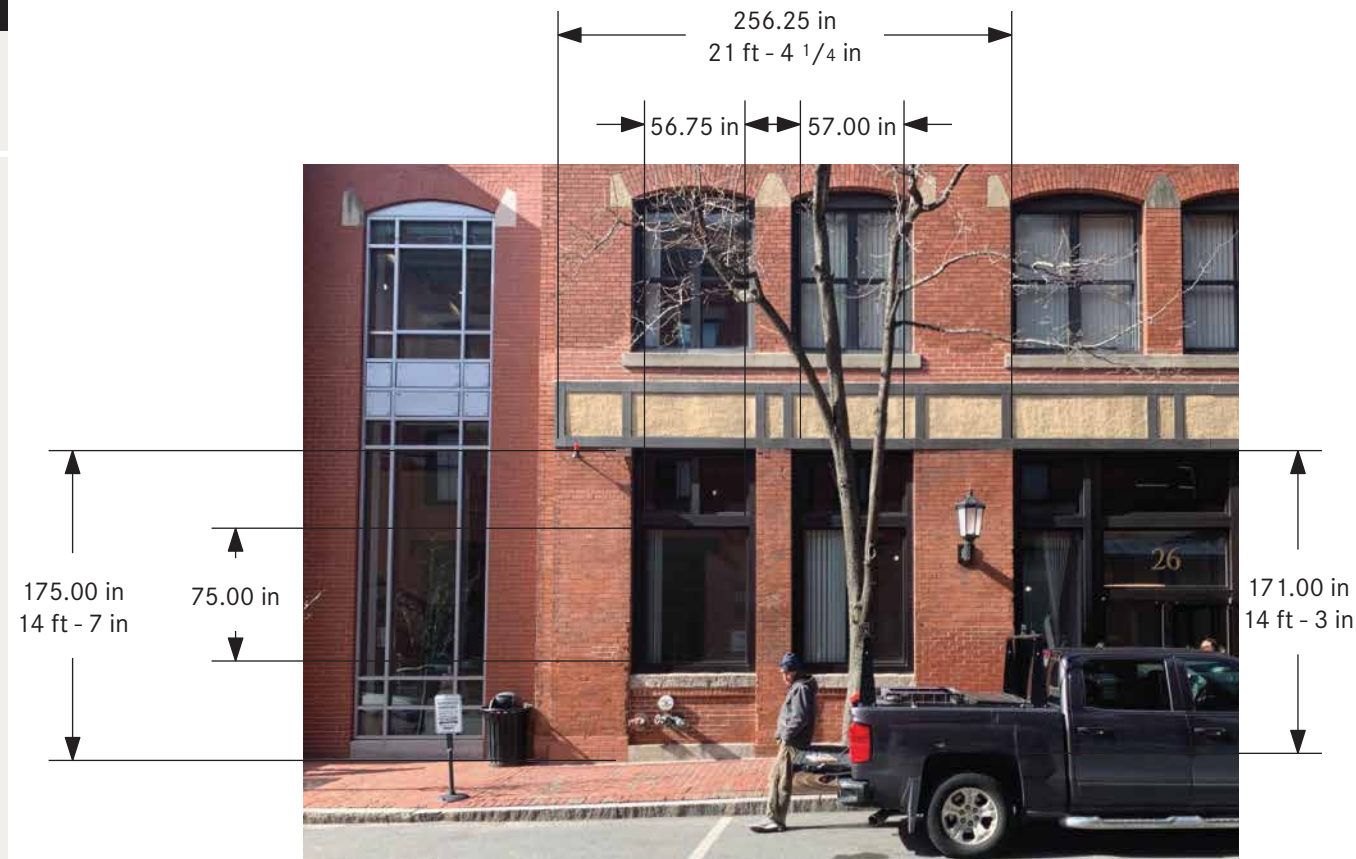
Color Palette

- White Vinyl
- N/A
- N/A
- N/A
- N/A

Project No. 200563
Project One Medical
Location 26 Thomson Place
Boston, MA 02210

Orig. Draft 04.19.20
Project Mgr. Caleb Little
Designer Liz
Rev. Art Lila Roblin
Rev. Date 07.30.2020
Page Rev. 004
Rev. Details Revised Address & Rendering

This sign design is exclusive property of Identiti Resources, LTD., and is the result of the original and creative work of it's employees. This drawing is submitted to the customer for the sole purpose of purchase of the design or signage manufactured to this design, by Identiti Resources, LTD. Distribution to or use of this sign design by anyone outside of the customer's organization, without expressed, written authorization by Identiti Resources, LTD. is prohibited.



▲ EXISTING

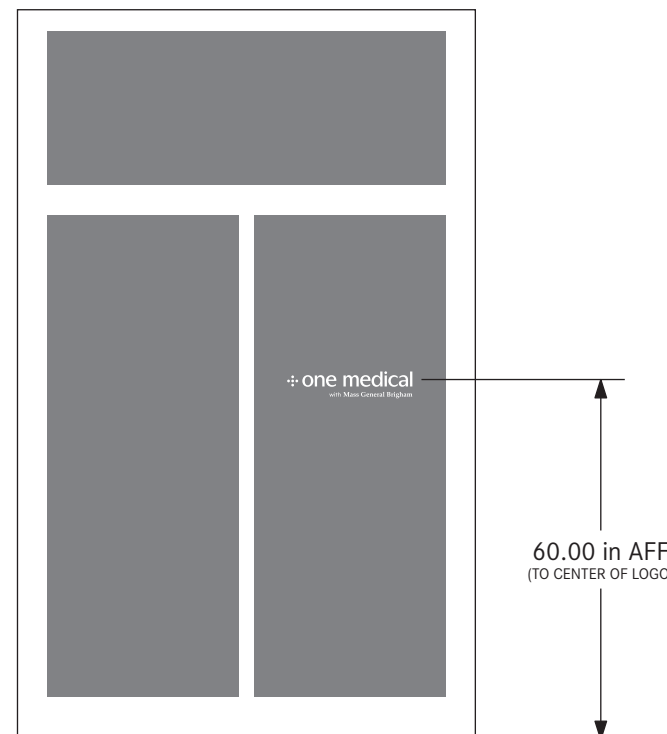
Entry to be remodeled.



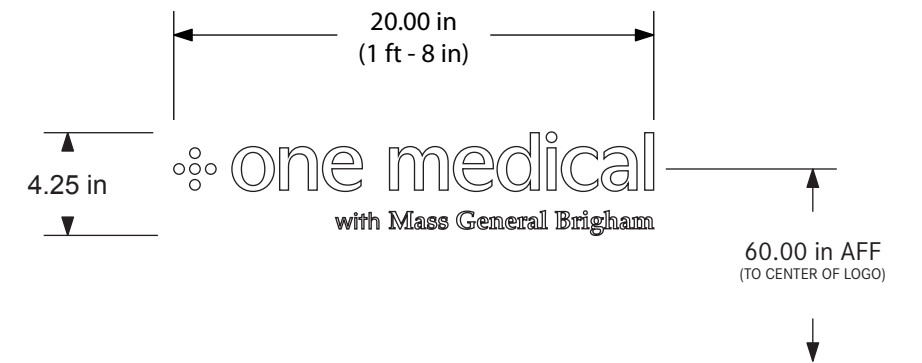
▲ PROPOSED

New Entry
FIELD VERIFICATION REQUIRED

Field Verification Required



ENTRY DOOR RENDER
SCALE: NTS



Scale: 1-1/2" = 12"

V2-1

Proposed Signage = .1 SF

Relevant Signage Code
N/A

Sign Type
Window Vinyl
QTY 2

Mounting
Second Surface

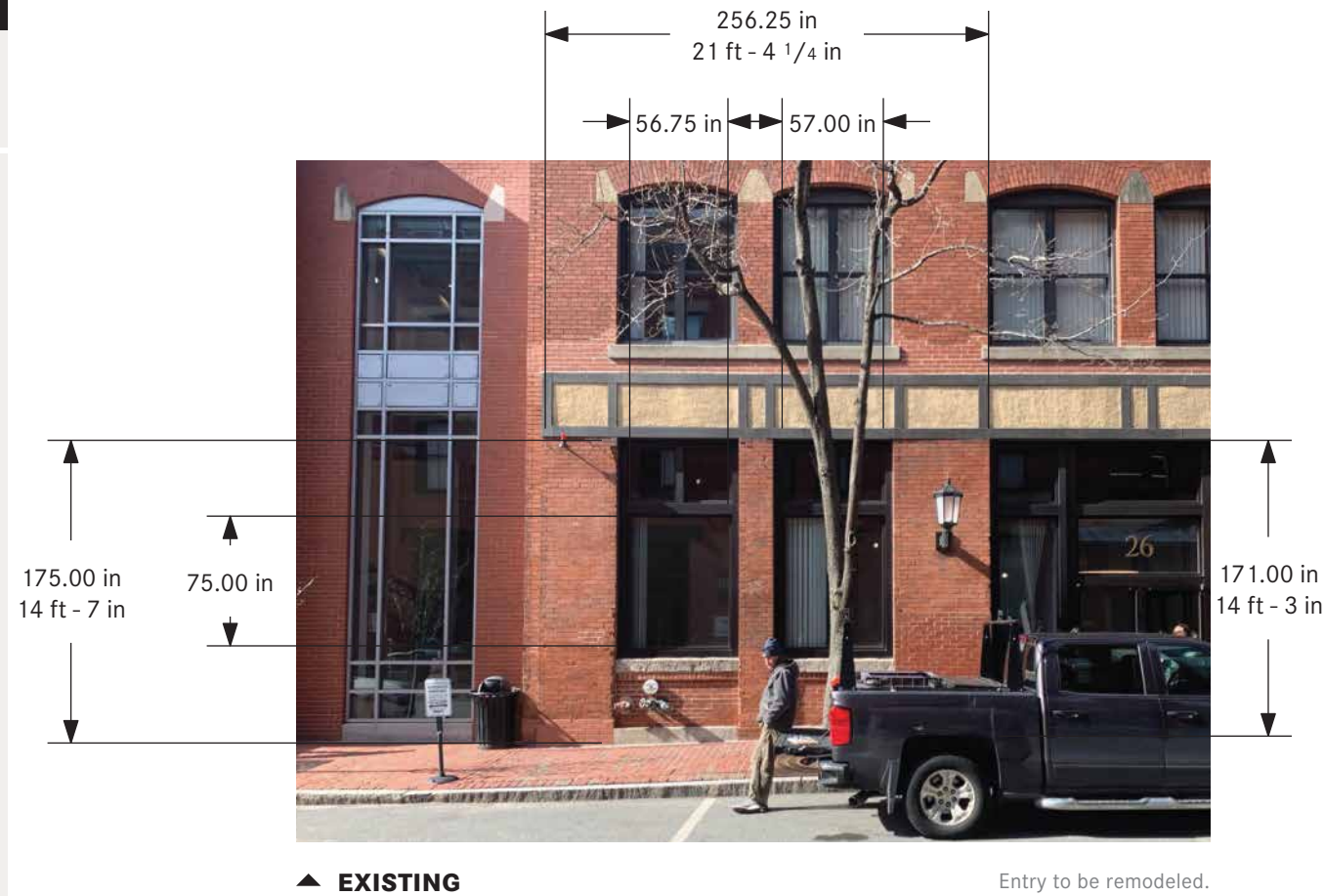
Color Palette
White Vinyl

Project No. 200563
Project One Medical
Location 26 Thomson Place
Boston, MA 02210

Orig. Draft 04.19.20
Project Mgr. Caleb Little
Designer Liz
Rev. Art Lila Roblin
Rev. Date 07.30.2020
Page Rev. 004
Rev. Details Revised Address & Rendering

This sign design is exclusive property of Identiti Resources, LTD., and is the result of the original and creative work of it's employees. This drawing is submitted to the customer for the sole purpose of purchase of the design or signage manufactured to this design, by Identiti Resources, LTD. Distribution to or use of this sign design by anyone outside of the customer's organization, without expressed, written authorization by Identiti Resources, LTD. is prohibited.

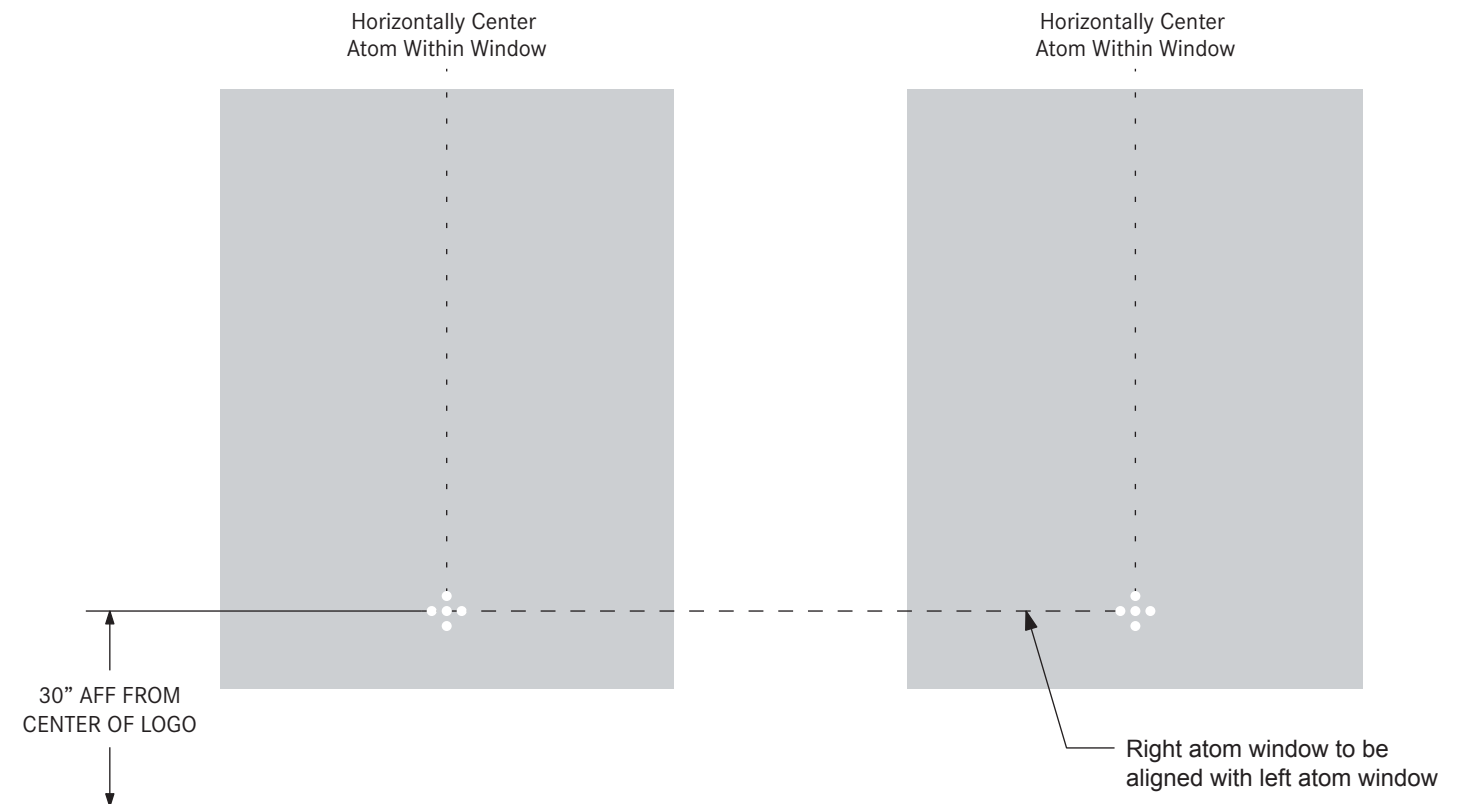
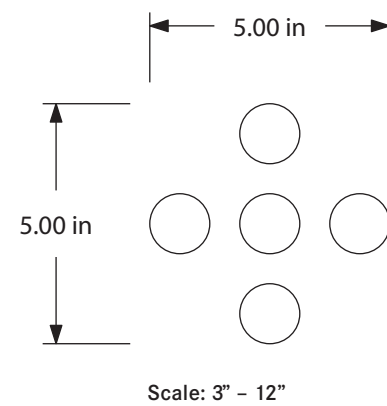
IDENTITI
425 N Martingale Rd
18th Floor
Schaumburg, IL 60173
Office 847.301.0510
identiti.net



Entry to be remodeled.



Field Verification Required



Scale: 1/2" - 12"

BS1-1

Proposed Signage = 4.5 SF

Relevant Signage Code

X SqFt per linear foot of primary elevation
 X x X = SqFt allowed

Sign Type

Routed Aluminum Blade Sign
 w/ Push-Thru Acrylic

Mounting

Side Mounted to Facade

Color Palette

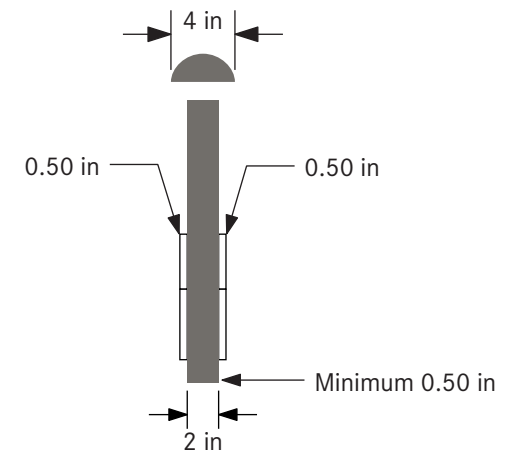
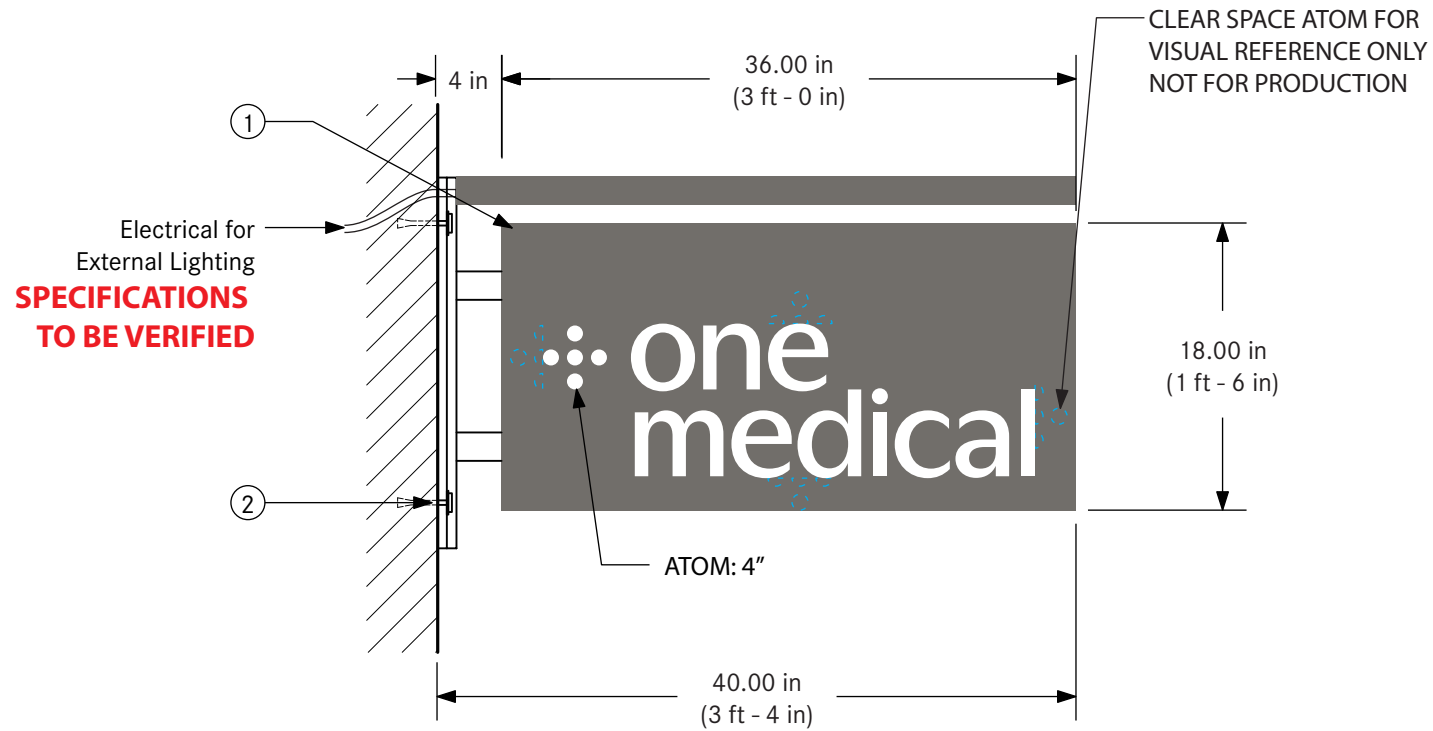
- Acrylic: White
- Panel: PMS 2333 C
- N/A
- N/A
- N/A

Project No. 200563
Project One Medical
Location 26 Thomson Place
 Boston, MA 02210

Orig. Draft 04.19.20
Project Mgr. Caleb Little
Designer Liz
Rev. Art Stephanie
Rev. Date 10.13.2020
Page Rev. 007
Rev. Details Revised logo size

This sign design is exclusive property of Identiti Resources, LTD., and is the result of the original and creative work of it's employees. This drawing is submitted to the customer for the sole purpose of purchase of the design or signage manufactured to this design, by Identiti Resources, LTD. Distribution to or use of this sign design by anyone outside of the customer's organization, without expressed, written authorization by Identiti Resources, LTD. is prohibited.

IDENTITI
 425 N Martingale Rd
 18th Floor
 Schaumburg, IL 60173
 Office 847.301.0510
 identiti.net



NON-ILLUMINATED BLADE	
1	.063 ROUTED ALUMINUM PANELS PAINTED PMS 2333 C W/ 1/2" PUSH-THRU ACRYLIC COPY WHITE
2	MOUNTING ANCHOR: TOGGLE BOLTS PAINTED TO MATCH PMS 403
3	3/4" PLYWOOD CLAD W/ ALUMINUM
4	1/4" THICK ALUMINUM PLATE COVER 3' WIDE FLAT STOCK
5	1" DEEP ALUMINUM PLATE COVER PAINTED TO MATCH PMS 2333 C
6	1" SQUARE ALUMINUM TUBE (QTY 2) PAINTED TO MATCH PMS 2333 C

FIELD VERIFICATION REQUIRED
CITY & LL APPROVAL REQUIRED

