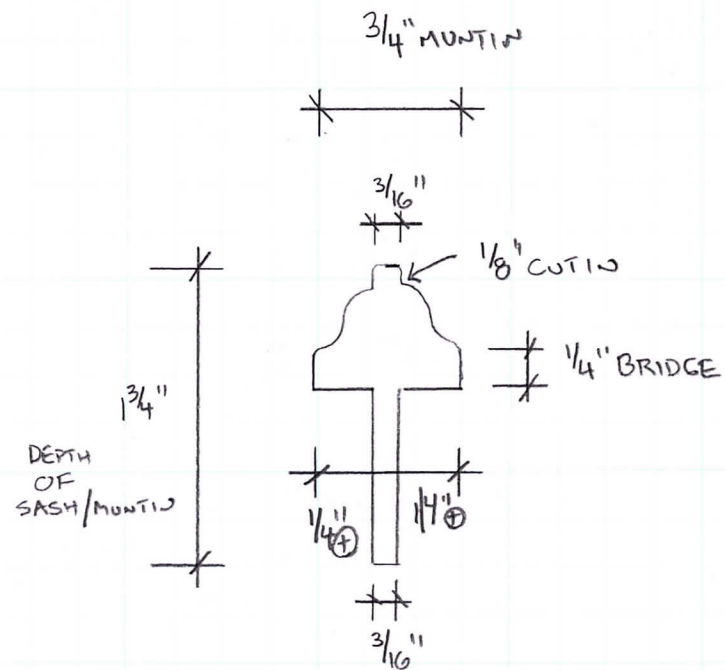


TWO TOTAL: 6 BY 6 LIGHT CASEMENT WINDOWS, SWING IN
 TRUE DIVIDED LIGHT, USING EXISTING FRAMES, MAHOGANY
 & PAINTED BLACK AT EXTERIOR

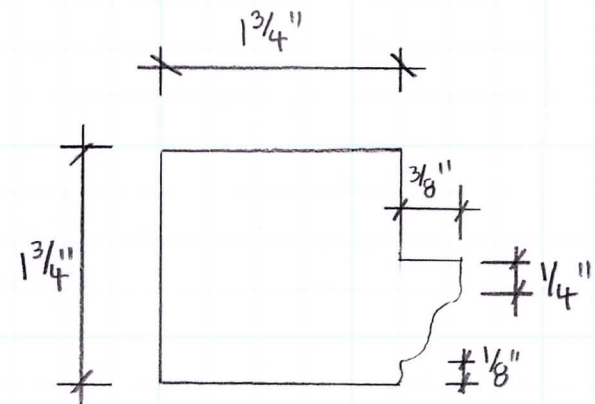
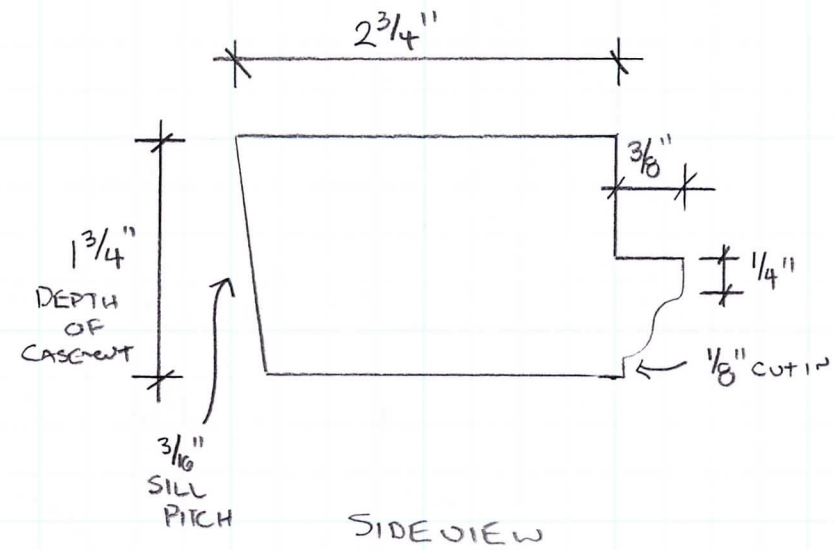
68 CHESTNUT STREET
 BOSTON, M.A. 02108
 RESIDENCE OF: LISA LEBLANC
 OVER HEAD & SIDE VIEW
 SHEET NO 2, OF 3.

Historic Window & Door Holdings
 12 Forest Road, Junction 123&123A
 P.O. Box 138
 Alstead, N.H. 03602-0138

OVERHEAD



BOTTOM RAIL, CASEMENTS



OVERHEAD VIEW

SIDE & TOP MAHOGANY
CASEMENT WOODRAILS

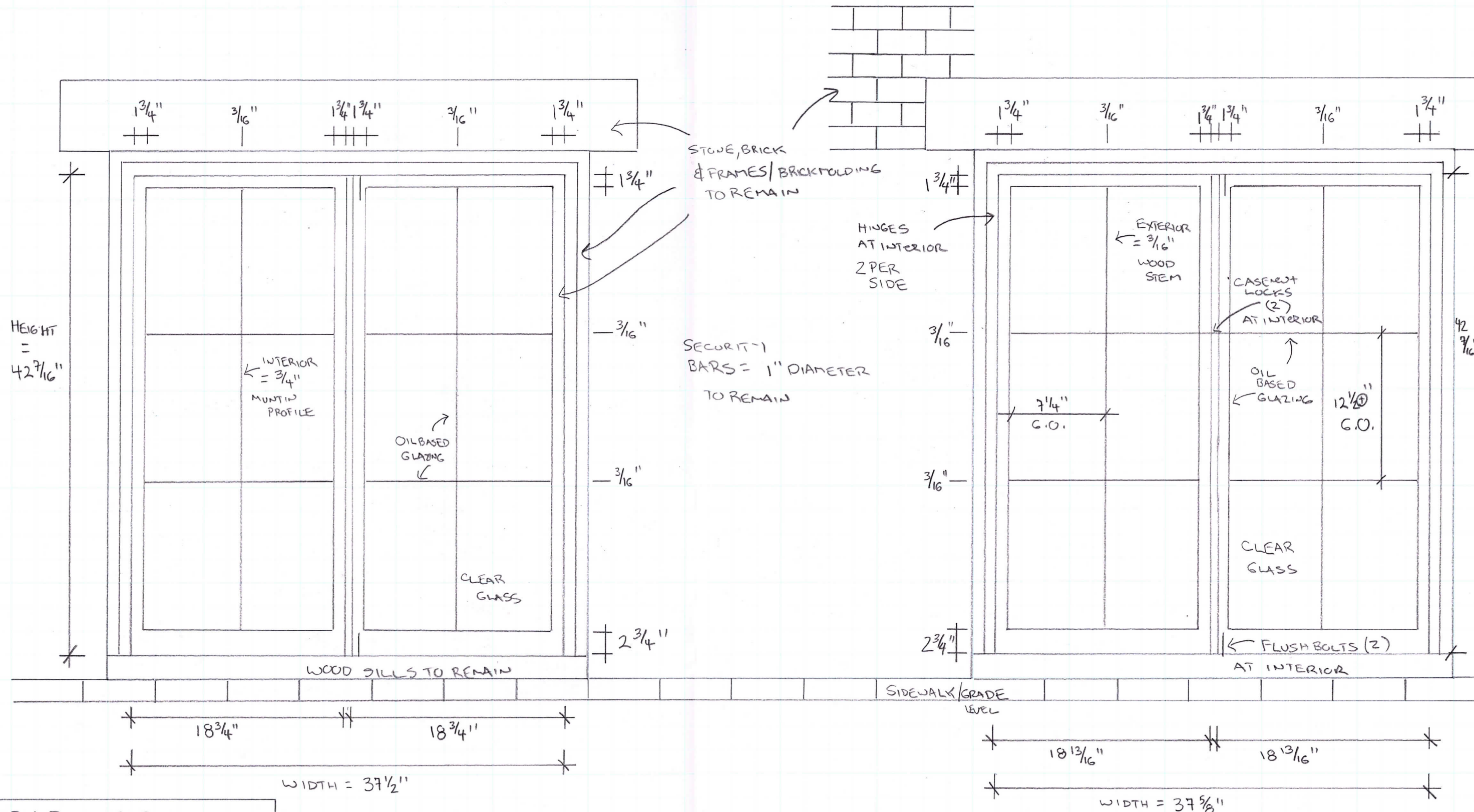
#68 CHESTNUT STREET
BOSTON, M.A. 02108

RESIDENCE OF: LISA LEBLANC

CUTAWAY/CASEMENTS MILLWORK

SHEET 3. OF 3.

Historic Window & Door Holdings
12 Forest Road, Junction 123&123A
P.O. Box 138
Alstead, N.H. 03602-0138



68 CHESTNUT STREET
 BOSTON, M.A. 02108

RESIDENCE OF: LISA LEBLANC

FRONT ELEVATION

SHEET NO. 1 OF 3.

Historic Window & Door Holdings
 12 Forest Road, Junction 123&123A
 P.O. Box 138
 Alstead, N.H. 03602-0138

TWO TOTAL: 6 BY 6 CASEMENT WINDOWS, "SWING IN"
 TRUE DIVIDED LIGHT, USING EXISTING FRAMES, MAHOGANY
 & PAINTED BLACK AT EXTERIOR