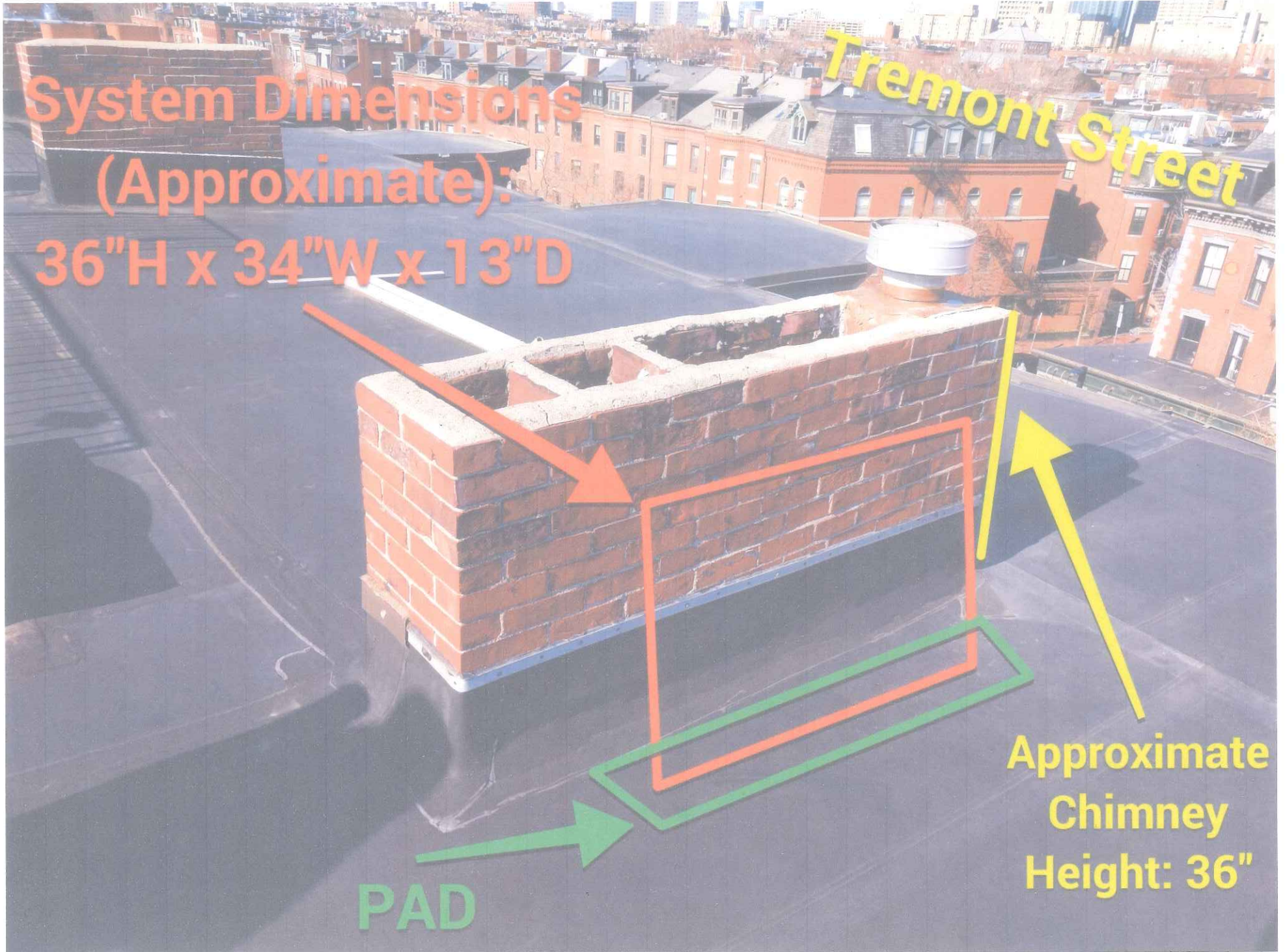


**System Dimensions  
(Approximate):  
36"H x 34"W x 13"D**

**Tremont Street**

**PAD**

**Approximate  
Chimney  
Height: 36"**



Plan for air conditioner condenser for roof of 596 Tremont St.

Tremont Street

(598 Tremont Street roof)

(594 Tremont Street roof)

Proposed New Outdoor Unit For #4

Chimney

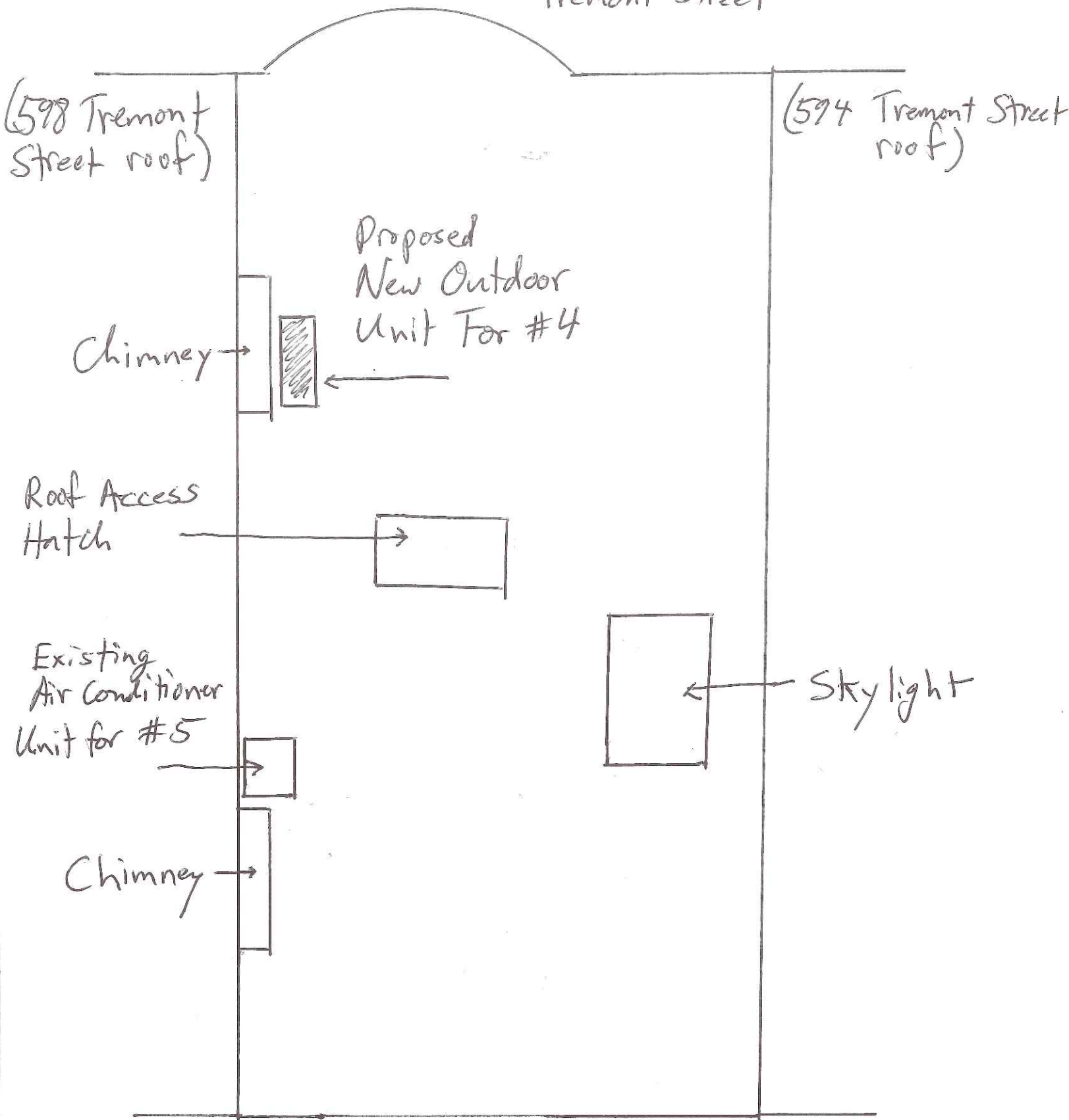
Roof Access Hatch

Existing Air Conditioner Unit for #5

Chimney

Skylight

Back Alley






# M-SERIES

## SUBMITTAL DATA: MLZ-KP18NA & SUZ-KA18NA2 18,000 BTU/H EZ FIT™ RECESSED CASSETTE HEAT PUMP SYSTEMS



Job Name:	
System Reference:	Date:

Indoor Unit: MLZ-KP18NA	Outdoor Unit: SUZ-KA18NA2	Wireless Remote Controller
		

### INDOOR UNIT FEATURES

- Fits between 16" joists spacing
- Stylish, square design panel
- Built-in condensate lift mechanism (19.6")
- Serviceable from the bottom (electrical and flare connections)
- Adjustable fan speeds and vane directions
- Washable antibacterial and deodorizing filter
- Multiple control options available:
  - Hand-held Remote Controller (provided with unit)
  - kumo cloud® smart device app for remote access
  - Third-party interface options
  - Wired or wireless controllers
- Pocket inside the access panel for kumo cloud® Wireless Interface

### OUTDOOR UNIT FEATURES

- Variable speed INVERTER-driven compressor
- Innovative Joint Lap DC Motor leads to high efficiency and reliability
- Pulse Amplitude Modulation technology
- High-performance grooved piping for increased heat exchange efficiency

## SPECIFICATIONS: MLZ-KP18NA & SUZ-KA18NA2

Cooling at 95°F <sup>1</sup>	Maximum Capacity	BTU/H	18,000
	Rated Capacity	BTU/H	18,000
	Minimum Capacity	BTU/H	6,600
	Maximum Power Input	W	1,440
	Rated Power Input	W	1,440
	Moisture Removal	Pints/h	5.3
	Sensible Heat Factor		0.67
	Power Factor (208/230V)	%	98
Cooling at 82°F	Maximum Capacity	BTU/H	19,400
	Rated Capacity	BTU/H	19,400
	Minimum Capacity	BTU/H	7,400
	Maximum Power Input	W	1,240
	Rated Power Input	W	1,240
Heating at 47°F <sup>2</sup>	Maximum Capacity	BTU/H	22,800
	Rated Capacity	BTU/H	20,000
	Minimum Capacity	BTU/H	8,200
	Maximum Power Input	W	2,140
	Rated Power Input	W	1,170
	Power Factor	%	98
Heating at 17°F <sup>3</sup>	Maximum Capacity	BTU/H	13,100
	Rated Capacity	BTU/H	13,100
	Maximum Power Input	W	1,460
	Rated Power Input	W	1,460
Heating at 5°F <sup>4</sup>	Maximum Capacity	BTU/H	10,700
	Maximum Power Input	W	1,230
Heating at -4°F <sup>5</sup>	Maximum Capacity	BTU/H	7,900
Efficiency	SEER		22.3
	EER <sup>1</sup>		12.5
	HSPF (IV)		12.4
	COP at 47°F <sup>2</sup>		3.30
	COP at 17°F in Maximum Capacity <sup>3</sup>		2.87
	COP at 5°F in Maximum Capacity <sup>4</sup>		2.54
	ENERGY STAR <sup>®</sup> certified units (ENERGY STAR products are third-party certified by an EPA-recognized Certification Body.)		Yes
Electrical	Voltage, Phase, Frequency		208/230V, 1 phase, 60Hz
	Guaranteed Voltage Range	V AC	187-253
	Voltage: Indoor - Outdoor, S1-S2	V AC	208/230
	Voltage: Indoor - Outdoor, S2-S3	V DC	24
	Short-circuit Current Rating (SCCR)	kA	Wireless type
	Recommended Fuse/Breaker Size (Outdoor)	A	15
	Recommended Wire Size (Indoor - Outdoor)	AWG	14
Indoor Unit	MCA	A	1
	Fan Motor Full Load Amperage	A	0.76
	Fan Motor Output	W	30
	Airflow Rate at Cooling, Dry	CFM	403-346-293-212
	Airflow Rate at Cooling, Wet	CFM	343-294-249-180
	Airflow Rate at Heating, Dry	CFM	417-364-311-212
	Sound Pressure Level (Cooling)	dB(A)	47-41-36-29
	Sound Pressure Level (Heating)	dB(A)	48-42-37-26

## SPECIFICATIONS: MLZ-KP18NA & SUZ-KA18NA2

	Drain Pipe Size	In. (mm)	1-1/4 (32)
	Condensate Lift Mechanism, Maximum Distance	In. (mm)	19-11/16 (500)
	Heat Exchanger Type		Plate fin coil
	External Finish Color		White
	Unit Dimensions	W: In. (mm)	43-3/8 (1,102)
		D: In. (mm)	14-3/16 (360)
		H: In. (mm)	7-5/16 (185)
	Package Dimensions	W: In. (mm)	46-5/16 (1,180)
		D: In. (mm)	15-3/4 (400)
		H: In. (mm)	11 (280)
Unit Weight	Lbs. (kg)	34 (15.5)	
Package Weight	Lbs. (kg)	41 (18)	
Indoor Unit Operating Temperature Range	Cooling Intake Air Temp (Maximum / Minimum)*	°F	90F D.B / 73F W.B // 67F D.B / 57F W.B
	Heating Intake Air Temp (Maximum / Minimum)	°F	80F D.B // 70F D.B
Outdoor Unit	MCA	A	14
	MOCP	A	24
	Fan Motor Full Load Amperage	A	0.67
	Fan Motor Output	W	77
	Airflow Rate	CFM	1,691 / 1,691
	Refrigerant Control		LEV
	Defrost Method		Reverse cycle
	Heat Exchanger Type		Plate fin coil
	Sound Pressure Level, Cooling <sup>1</sup>	dB(A)	54
	Sound Pressure Level, Heating <sup>2</sup>	dB(A)	55
	Compressor Type		DC INVERTER-driven Twin Rotary
	Compressor Model		SNB130FQBMT
	Compressor Rated Load Amps	A	10.0
	Compressor Locked Rotor Amps	A	12.5
	Compressor Oil Type // Charge	oz.	FV50S//11.8
	External Finish Color		Ivory Munsell 3Y 7.8/1.1
	Base Pan Heater		Optional
	Unit Dimensions	W: In. (mm)	33-1/16 (840)
		D: In. (mm)	13 (330)
		H: In. (mm)	34-5/8 (880)
Package Dimensions	W: In. (mm)	38-9/16 (980)	
	D: In. (mm)	16-9/16 (420)	
	H: In. (mm)	39 (990)	
Unit Weight	Lbs. (kg)	127 (58)	
Package Weight	Lbs. (kg)	145 (66)	
Outdoor Unit Operating Temperature Range	Cooling Air Temp (Maximum / Minimum)*	°F	115 / 14
	Cooling Thermal Lock-out / Re-start Temperatures**	°F	-1 / 3
	Heating Air Temp (Maximum / Minimum)	°F	75 / -4
	Heating Thermal Lock-out / Re-start Temperatures**	°F	-9 / -4
Refrigerant	Type		R410A
	Charge	Lbs, oz	3, 9
Piping	Gas Pipe Size O.D. (Flared)	In.(mm)	1/2 (12.7)
	Liquid Pipe Size O.D. (Flared)	In.(mm)	1/4 (6.35)
	Maximum Piping Length	Ft. (m)	100
	Maximum Height Difference	Ft. (m)	50

## SPECIFICATIONS: MLZ-KP18NA & SUZ-KA18NA2

	Maximum Number of Bends	10
--	-------------------------	----

**Notes**

AHRI Rated Conditions (Rated data is determined at a fixed compressor speed)	<sup>1</sup> Cooling (Indoor // Outdoor)	°F	80 DB, 67 WB // 95 DB, 75 WB
	<sup>2</sup> Heating at 47°F (Indoor // Outdoor)	°F	70 DB, 60 WB // 47 DB, 43 WB
	<sup>3</sup> Heating at 17°F (Indoor // Outdoor)	°F	70 DB, 60 WB // 17 DB, 15 WB
Conditions	<sup>4</sup> Heating at 5°F (Indoor // Outdoor)	°F	70 DB, 60 WB // 5 DB, 4 WB
	<sup>5</sup> Heating at -4°F (Indoor // Outdoor)	°F	70 DB, 60 WB // -4 DB, -5 WB

\*Applications should be restricted to comfort cooling only; equipment cooling applications are not recommended for low ambient temperature conditions.

\*\*System cuts out in heating mode to avoid thermistor error and automatically restarts at these temperatures.

## ACCESSORIES: MLZ-KP18NA

Grille (required)	■ MLP-444WU
Anti-allergy Enzyme Filter	□ MAC-408FT-E
kumo touch™ RedLINK™ Wireless Controller	□ MHK2
Deluxe MA Remote Controller <sup>1</sup>	□ PAR-40MAAU
Simple MA Controller <sup>1</sup>	□ PAC-YT53CRAU-J
Touch MA Controller <sup>1</sup>	□ PAR-CT01MAU-SB
Wired Remote Sensor	□ M21EAA307
Wireless Temperature and Humidity Sensor	□ PAC-USWHS003-TH-1
System Control Interface <sup>2</sup>	□ MAC-334IF-E
External Fan / Heater Control Relay Adapter	□ CN24RELAY-KIT-CM3
Wireless Interface 2	□ PAC-USWHS002-WF-2
Thermostat Interface	□ PAC-US444CN-1
kumo station®	□ PAC-WHS01HC-E
USNAP Interface	□ PAC-WHS01UP-E
IT Extender	□ PAC-WHS01IE-E
BACnet® and MODBUS® Interface	□ PAC-UKPRC001-CN-1
External Fan / Heater Control Relay Adapter	□ CN24RELAY-KIT-CM3
Lockdown Bracket for Hand-held Remote Controllers	□ RCMKP1CB
Advanced Blue Diamond Mini Condensate Pump w/ Reservoir & Sensor (208/230V) [recommended]	□ X87-721 - 208/230V
MicroBlue Blue Diamond Mini Condensate Pump (110/208/230V) up to 18,000 BTU/H	□ X85-003
(30A/600V/UL) [fits 2" X 4" utility box] - Black	□ TAZ-MS303
(30A/600V/UL) [fits 2" X 4" utility box] - White	□ TAZ-MS303W

<sup>1</sup> Requires MAC-334IF-E

<sup>2</sup> Allows indoor units to connect to an MA Controller

## ACCESSORIES: SUZ-KA18NA2

Air Outlet Guide	□ MAC-886SG-E
Optional Defrost Heater	□ MAC-642BH-U1
Hail Guard	□ HG-A7
Outdoor Unit 3-1/4 inch Mounting Base (Pair) - Plastic	□ DSD-400P
Condensing Unit Mounting Pad 16" x 36" x 3"	□ ULTRILITE1
Outdoor Unit Stand — 12" High	□ QSMS1201M
Outdoor Unit Stand — 18" High	□ QSMS1801M
Outdoor Unit Stand — 24" High	□ QSMS2401M
Heavy Duty Wall Mounting Bracket— Coated Steel	□ QSWB2000M-1
Heavy Duty Wall Mounting Bracket— 316 Series Stainless Steel	□ QSWBSS
15' x 1/4" x 15' / 1/2" Lineset (Twin-Tube Insulation)	□ MLS141212T-15
30' x 1/4" x 30' / 1/2" Lineset (Twin-Tube Insulation)	□ MLS141212T-30
50' x 1/4" x 50' / 1/2" Lineset (Twin-Tube Insulation)	□ MLS141212T-50
65' x 1/4" x 65' / 1/2" Lineset (Twin-Tube Insulation)	□ MLS141212T-65
100' x 1/4" x 100' / 1/2" Lineset (Twin-Tube Insulation)	□ MLS141212T-100
10' x 3/8" x 10' x 5/8" Lineset (Twin-Tube Insulation)	□ MPLS385812T-10

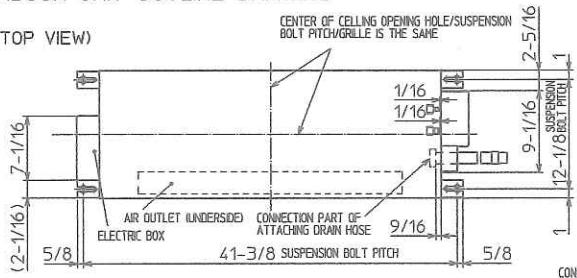


# DIMENSIONS: MLZ-KP18NA

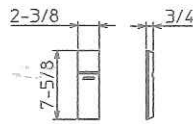
Unit: inch

## INDOOR UNIT OUTLINE DRAWING

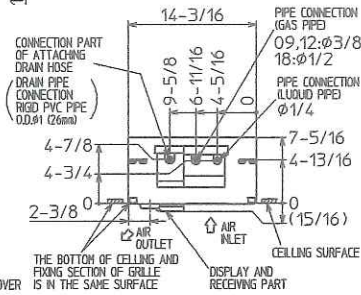
(TOP VIEW)



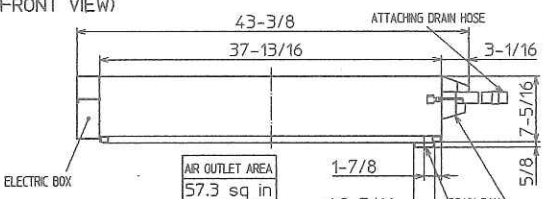
## REMOTE CONTROLLER OUTLINE DRAWING



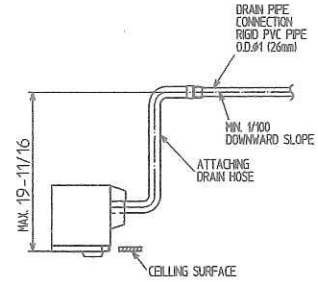
(RIGHT SIDE VIEW)



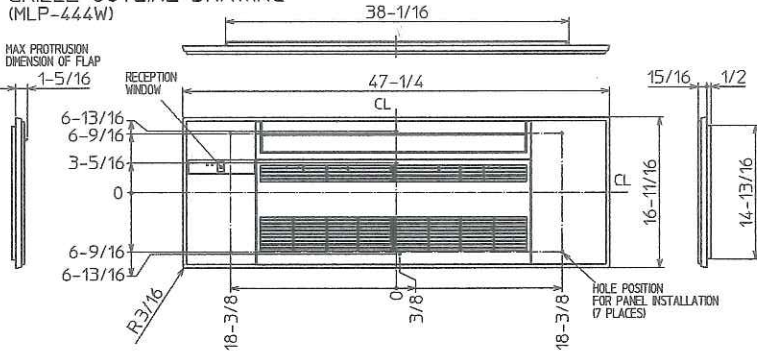
(FRONT VIEW)



THE METHOD FOR STANDING DRAIN FROM INDOOR UNIT  
※ CUT THE DRAIN HOSE (ACCESSORY) FOR USE, IF NECESSARY.



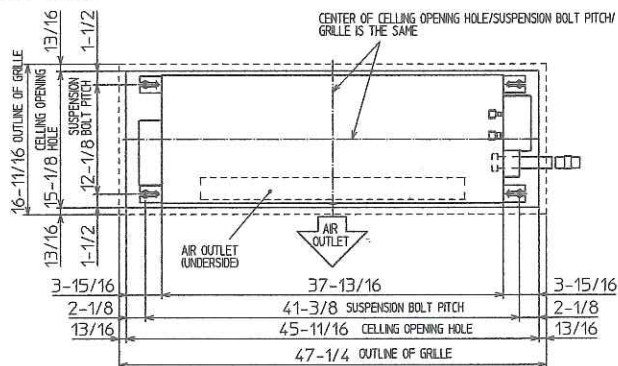
## GRILLE OUTLINE DRAWING (MLP-444W)



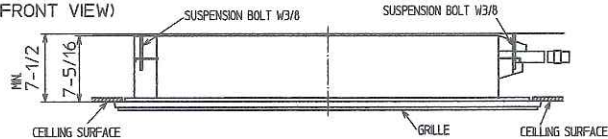
		09/12 KBTU/H	18 KBTU/H
EXTENSION PIPE	LIQUID PIPE O.D.	ø1/4	
	GAS PIPE O.D.	ø3/8	ø1/2
CONNECTIONS OF PIPE	LIQUID PIPE	FLARED CONNECTION ø1/4	
	GAS PIPE	FLARED CONNECTION ø3/8	FLARED CONNECTION ø1/2
DRAIN HOSE	HEAT INSULATOR O.D.	CONNECTION I.D.	EFFECTIVE LENGTH
DRAIN PIPE CONNECTION	ø1-1/4	ø1	18-7/8
		RIGID PVC PIPE O.D. ø1 (26mm)	

NOTE: CUT THE DRAIN HOSE (ACCESSORY) FOR USE, IF NECESSARY.

## INDOOR UNIT DETAIL VIEW (TOP VIEW)



(FRONT VIEW)

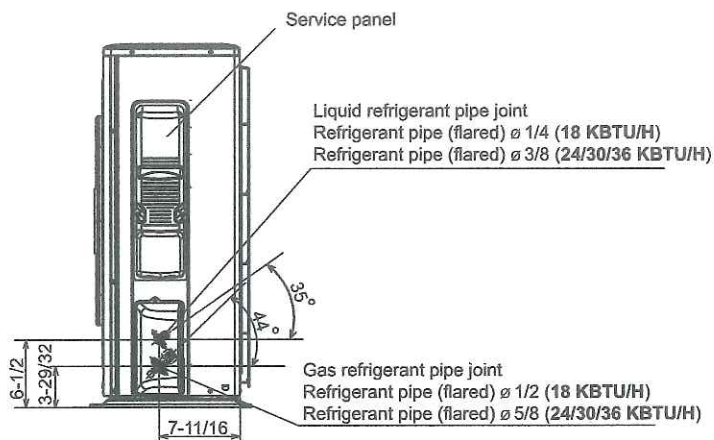
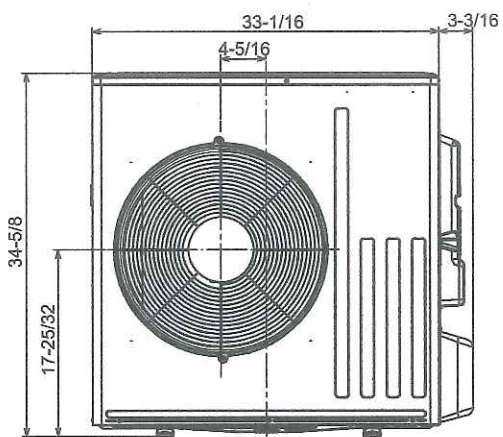
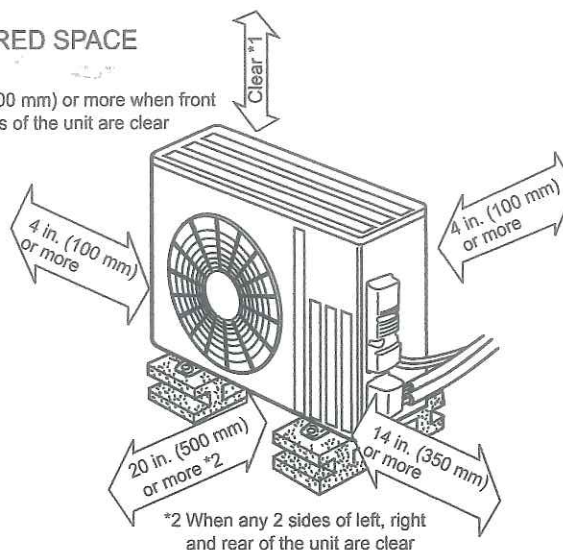
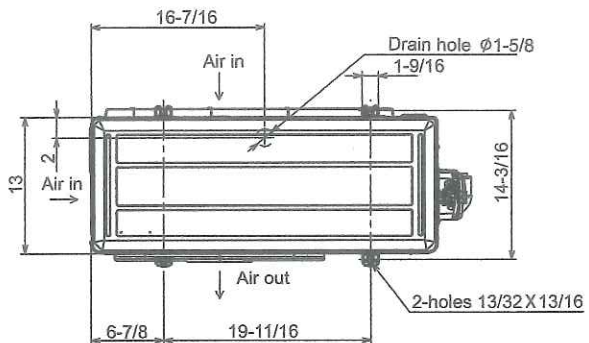


# DIMENSIONS: SUZ-KA18NA2

Unit: inch

## REQUIRED SPACE

\*1 20 in. (500 mm) or more when front and sides of the unit are clear



1340 Satellite Boulevard, Suwanee, GA 30024  
Toll Free: 800-433-4822 www.mehvac.com

FORM# MLZ-KP18NA / SUZ-KA18NA2 - 202006



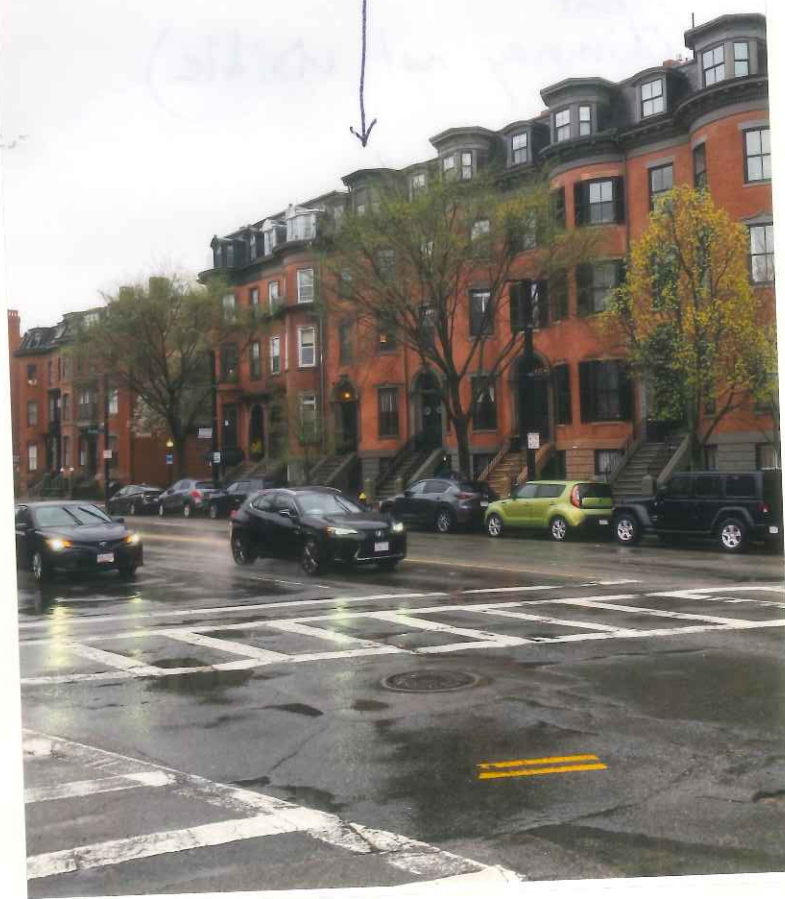
Specifications are subject to change without notice.

© 2020 Mitsubishi Electric Trane HVAC US LLC. All rights reserved.

Roof of 596 Tremont



Roof of 596 Tremont



View of the front of 596 Tremont  
from the sidewalk directly  
across Tremont Street  
<sup>Front</sup>  
(Chimney not visible)

View of the front of 596 Tremont  
from the sidewalk across Tremont  
street, one block west  
<sup>Front</sup>  
(Chimney not visible)

Roof of 596 Tremont



Roof of 596 Tremont



View of the back of 596 Tremont  
down the back alley, from the  
sidewalk across W. Dedham  
Street

(Front chimney not visible)

View of the front of 596 Tremont  
from the sidewalk across Tremont  
Street one block east  
(<sup>Front</sup>Chimney not visible)

Roof of 596 Tremont



View of the back of 576 Tremont  
from down the back alley,  
from the sidewalk across  
Upton Street  
(Front chimney not visible)