

WINDOWS: 325TB-D/H DOUBLE HUNG

325TB-S/H SINGLE HUNG

325TB-D/H-DOUBLE HUNG

325TB-S/W-SLIDING WINDOWS

325TB-FIXED-STATIONARY

325TB-ACCESSORIES

250TB-PROJECT IN VENTS

250TB-PROJECT OUT VENTS

250TB-CAS-CASEMENTS

250TB-FIXED-STATIONARY

250TB-ACCESSORIES

Our #325TB-D/H Series Double Hung Windows offer operable tilt-in upper and lower sashes. Standard 3-1/4" replacement depth. Full thermally broken frames and sash parts to help thermal improvement yet keeping the strength of a commercially rated product.

All sashes are set up for 7/8" insulated glass for various specifications with alternate interior and exterior grids. Glass is set with a wrap-around "marine" vinyl channel.

AAMA rated H-C-55. Structural & thermal test reports are available upon request.

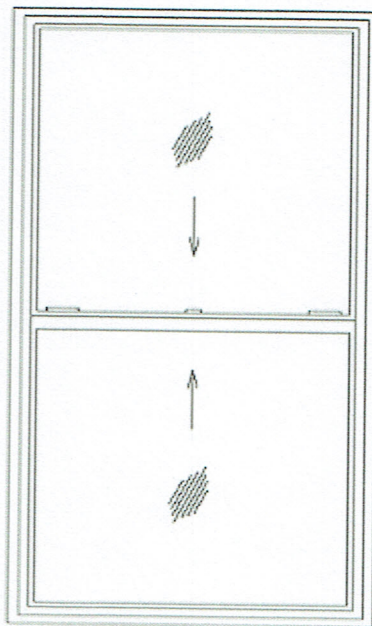
All Double Hung Windows are available in various painted finishes as well as clear and bronze anodized.

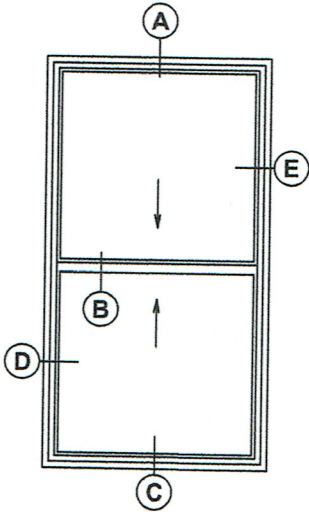
Our Double Hung Windows have various exterior panning, nail fins, interior trim and receptor systems available upon request.

Our #325TB Series are also available in single hung, sliding and stationary versions.

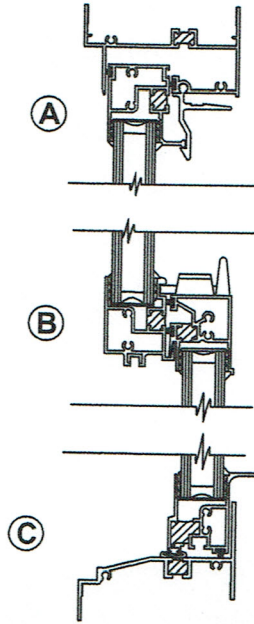
View/Print PDF file:

325TB Double Hung

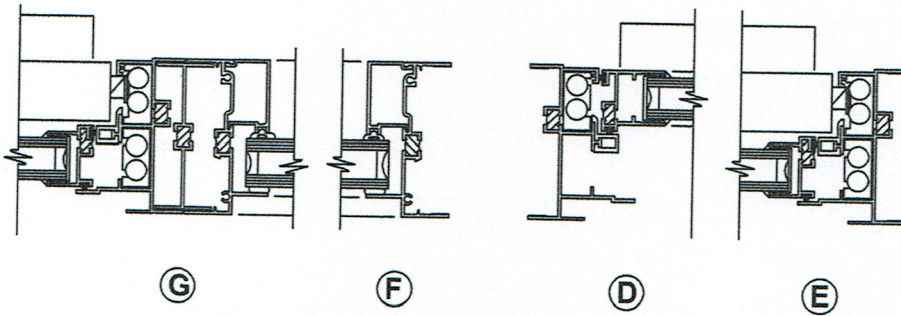
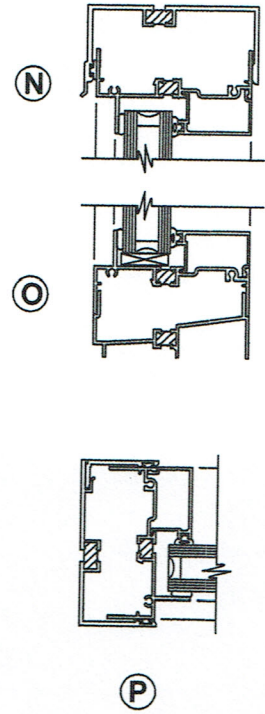




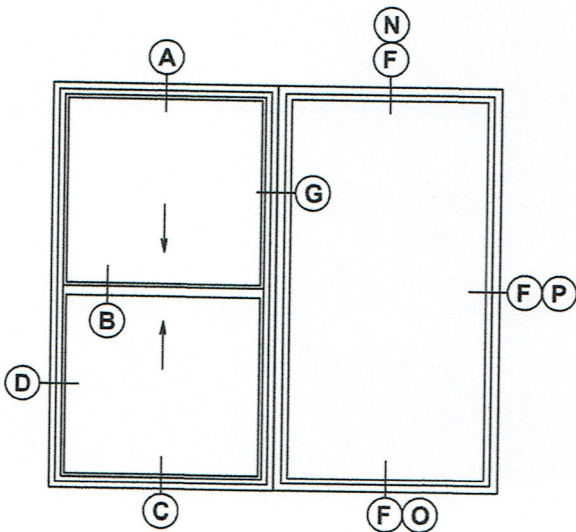
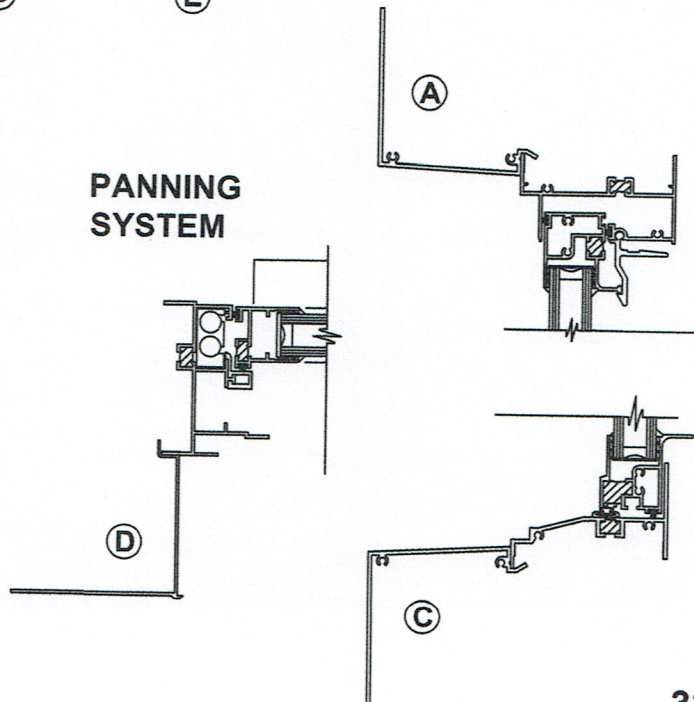
DOUBLE HUNG



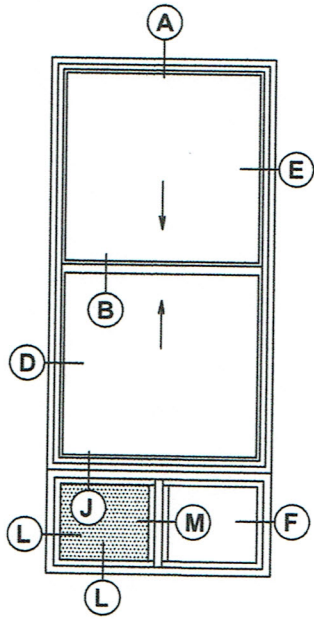
RECEPTOR SYSTEM



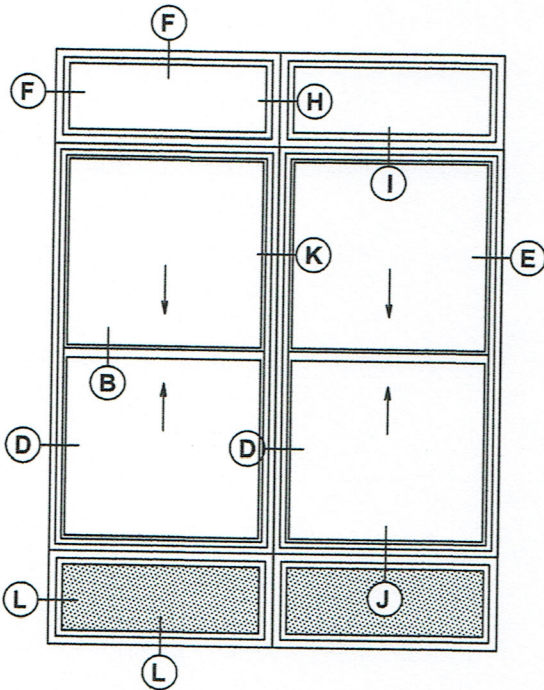
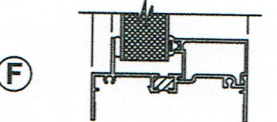
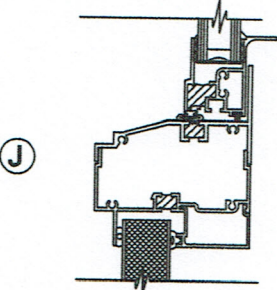
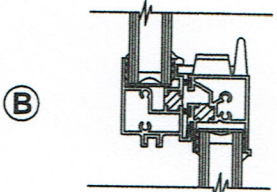
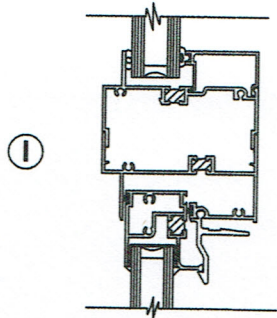
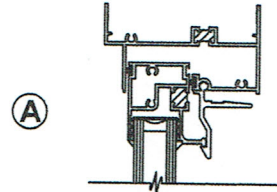
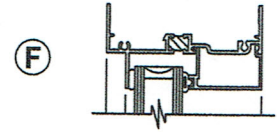
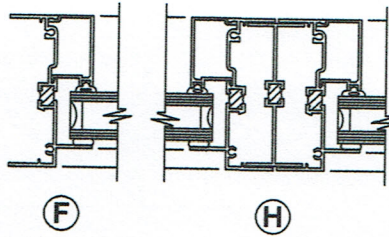
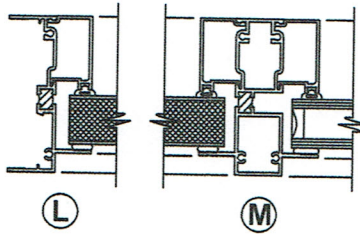
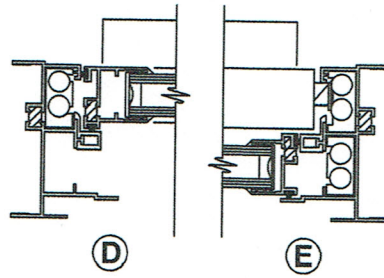
PANNING SYSTEM



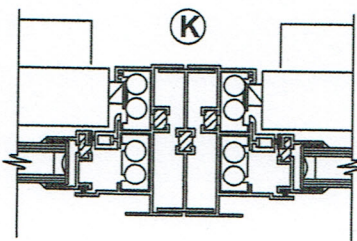
DOUBLE HUNG / FIXED SIDELITE



**DOUBLE HUNG
OVER FIXED WITH
TUBE MULLION**

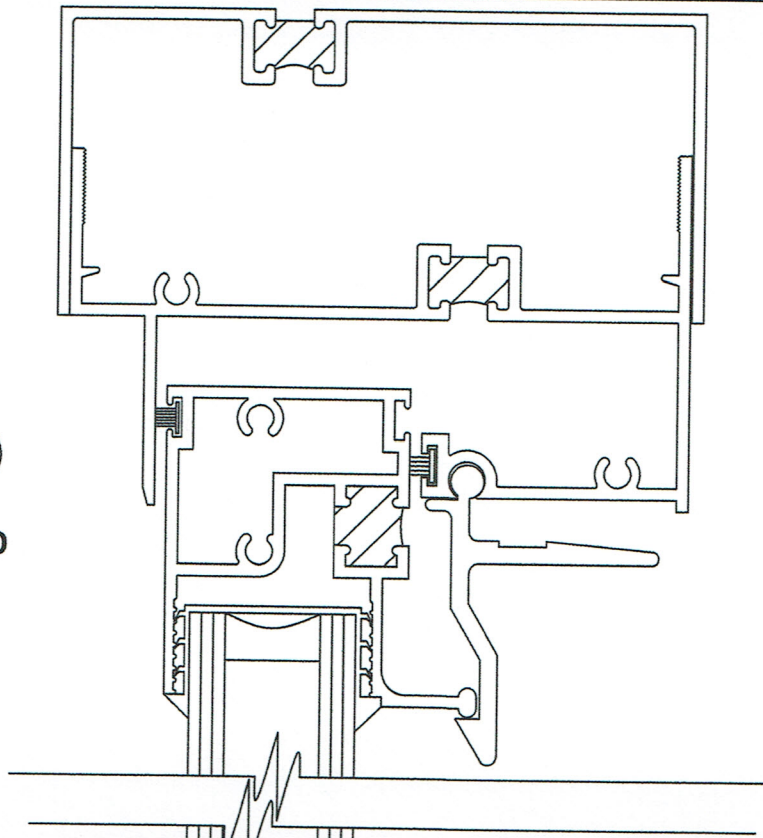


**DOUBLE HUNG MULLED
TOGETHER WITH PANEL
AND FIXED LITE.**

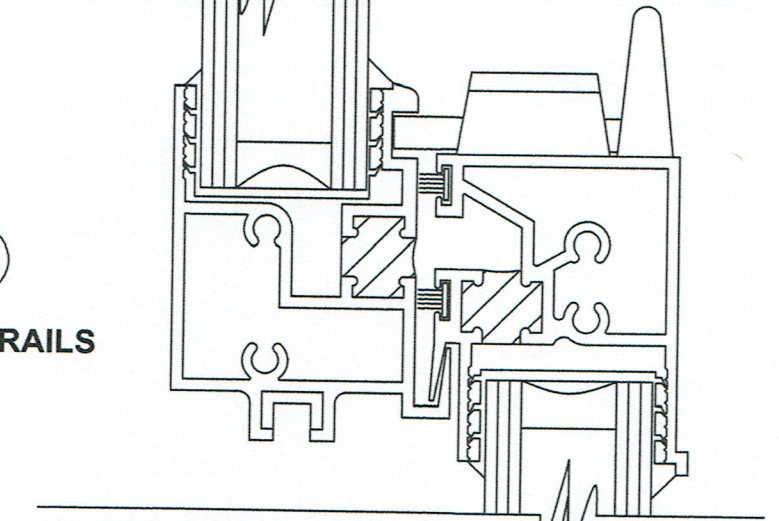


SERIES
325TB-DH
full size details

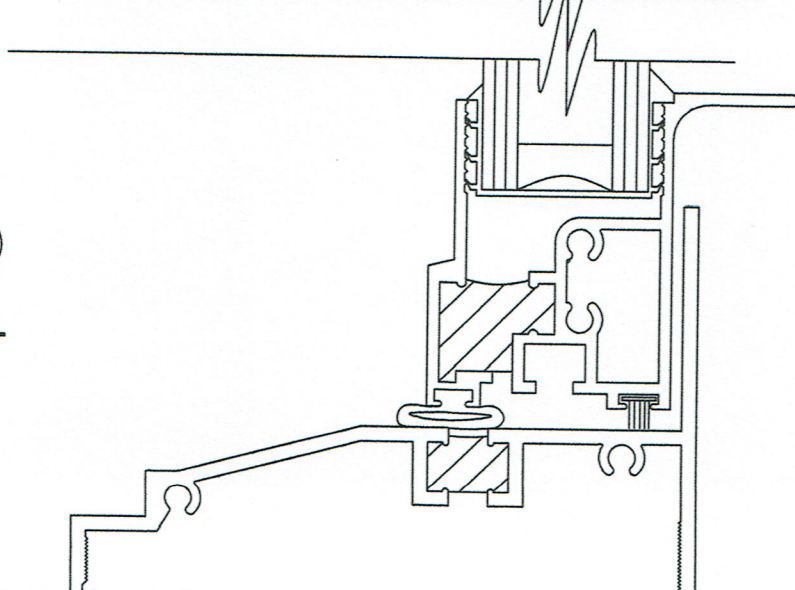
(A)
HEAD



(B)
MEETING RAILS



(C)
SILL



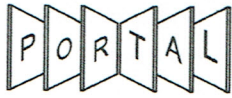
SERIES
325TB-DH
full size details

**HORIZONTAL
FIXED LITE OVER
DOUBLE HUNG**

I

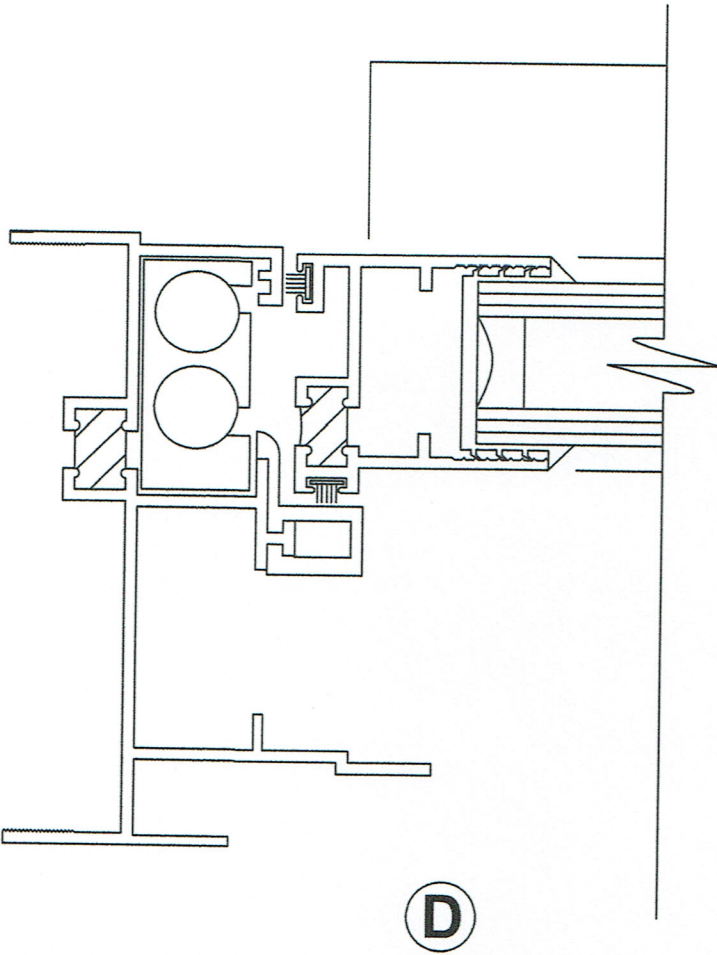
J

**HORIZONTAL
DOUBLE HUNG OVER
FIXED PANEL**

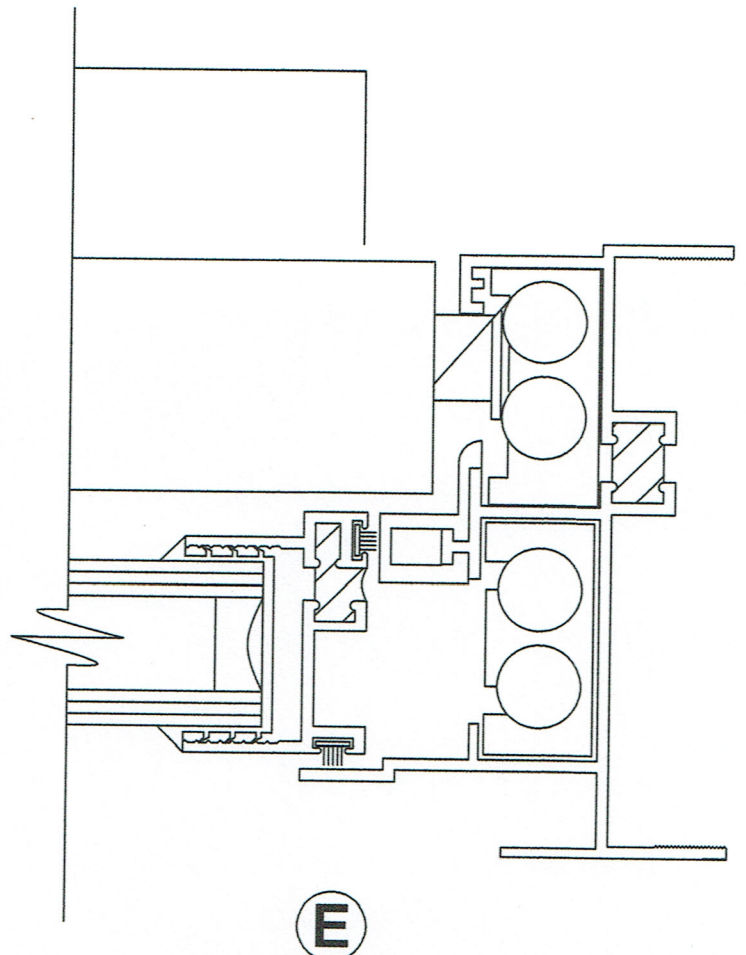


PORTAL INC.
10 TRACY DRIVE- AVON, MA. 02322

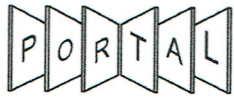
SERIES
325TB-DH
full size details



DOUBLE HUNG LEFT JAMB



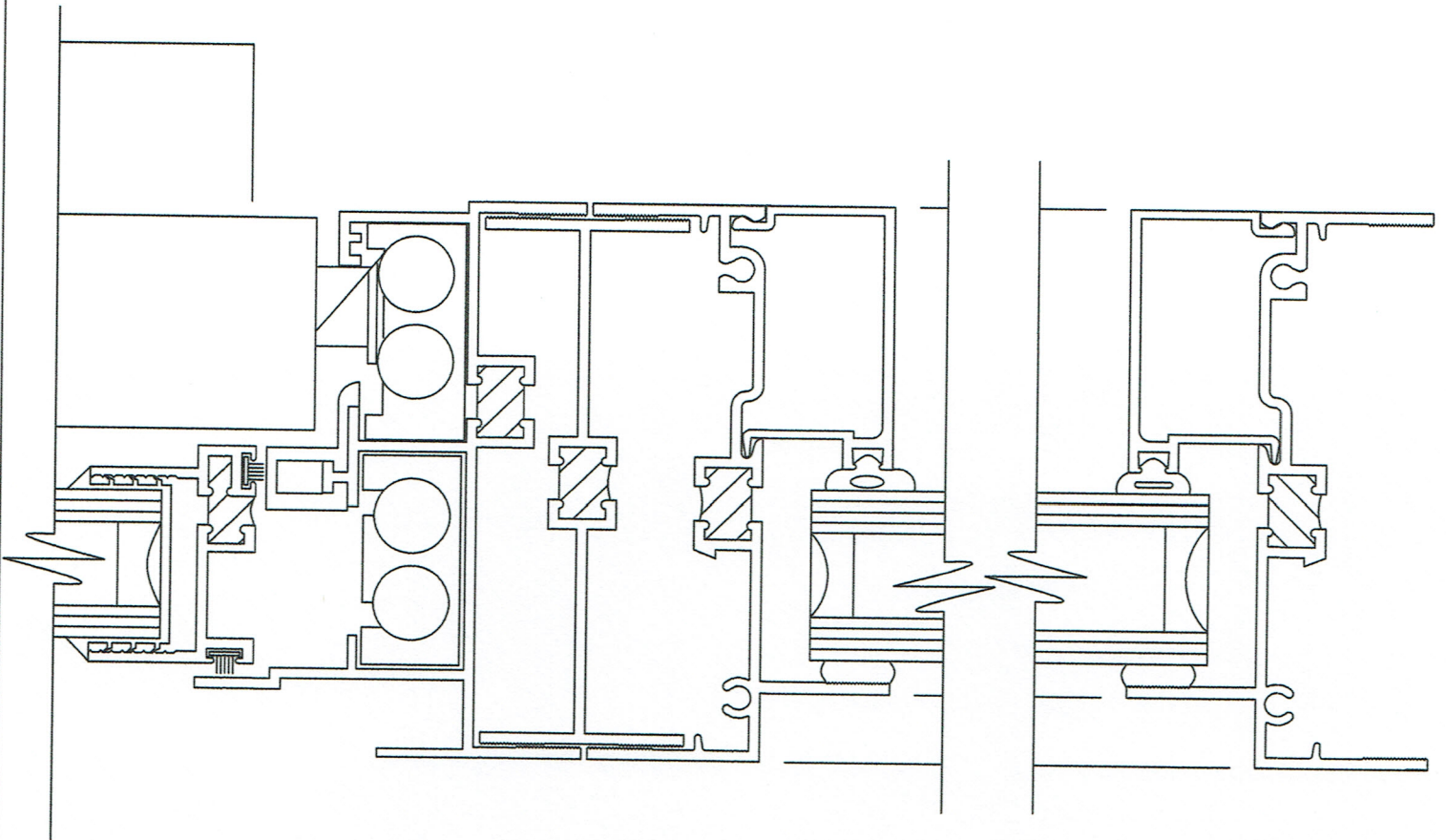
DOUBLE HUNG RIGHT JAMB



PORTAL INC.

10 TRACY DRIVE- AVON, MA. 02322

SERIES
325TB-DH
full size details

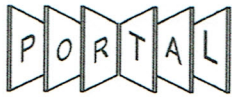


G

**MULLION
DOUBLE HUNG TO FIXED LITE**

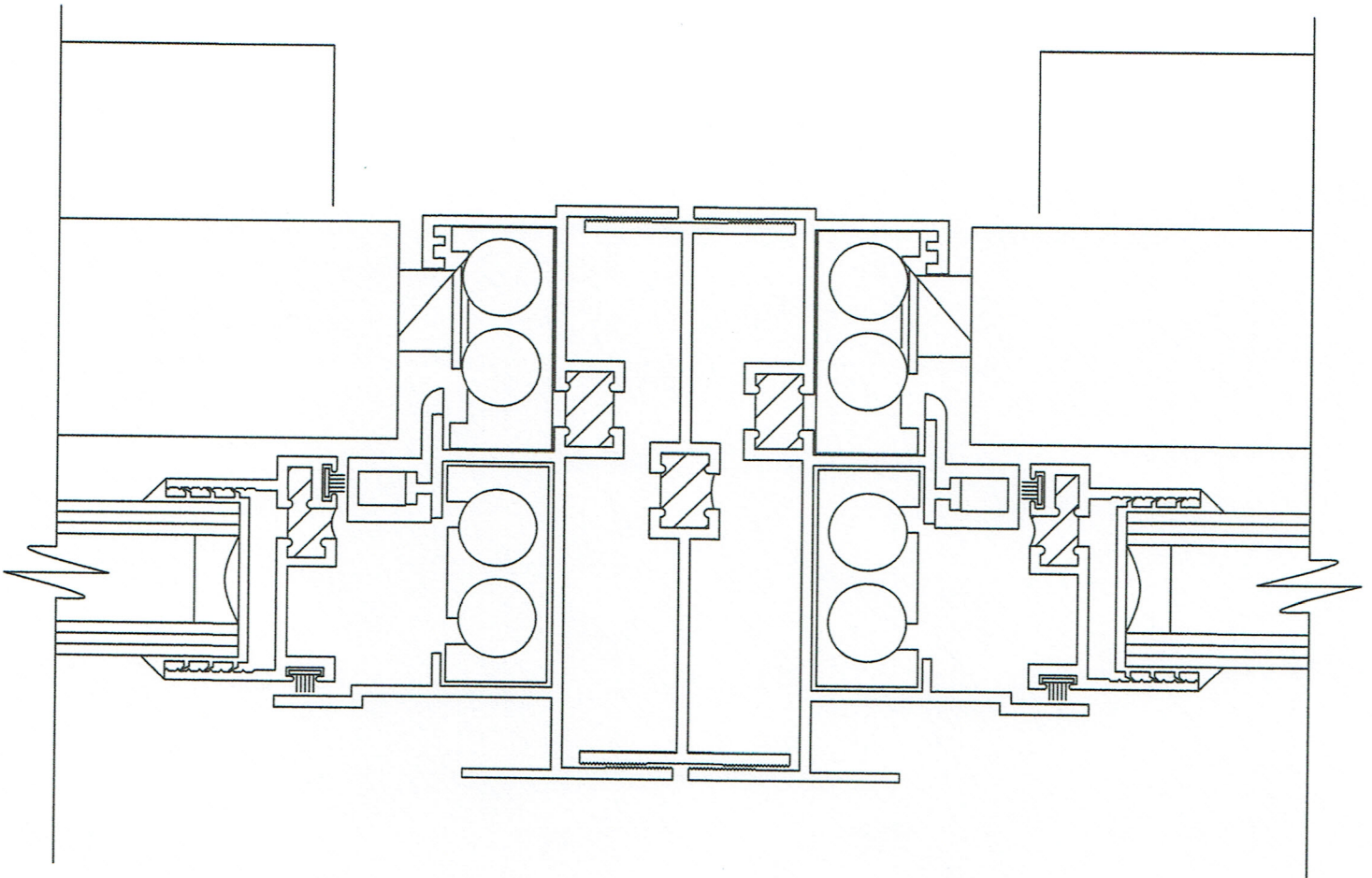
F

**JAMB
FIXED LITE**



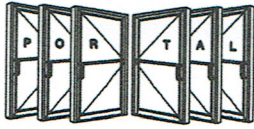
PORTAL INC.
10 TRACY DRIVE- AVON, MA. 02322

SERIES
325TB-DH
full size details



(K)

MULLION DOUBLE HUNG TO DOUBLE HUNG



PORTAL INC.

10 TRACY DRIVE- AVON, MA. 02322

TRUE DIVIDED LITES:

(FULL SIZE)

