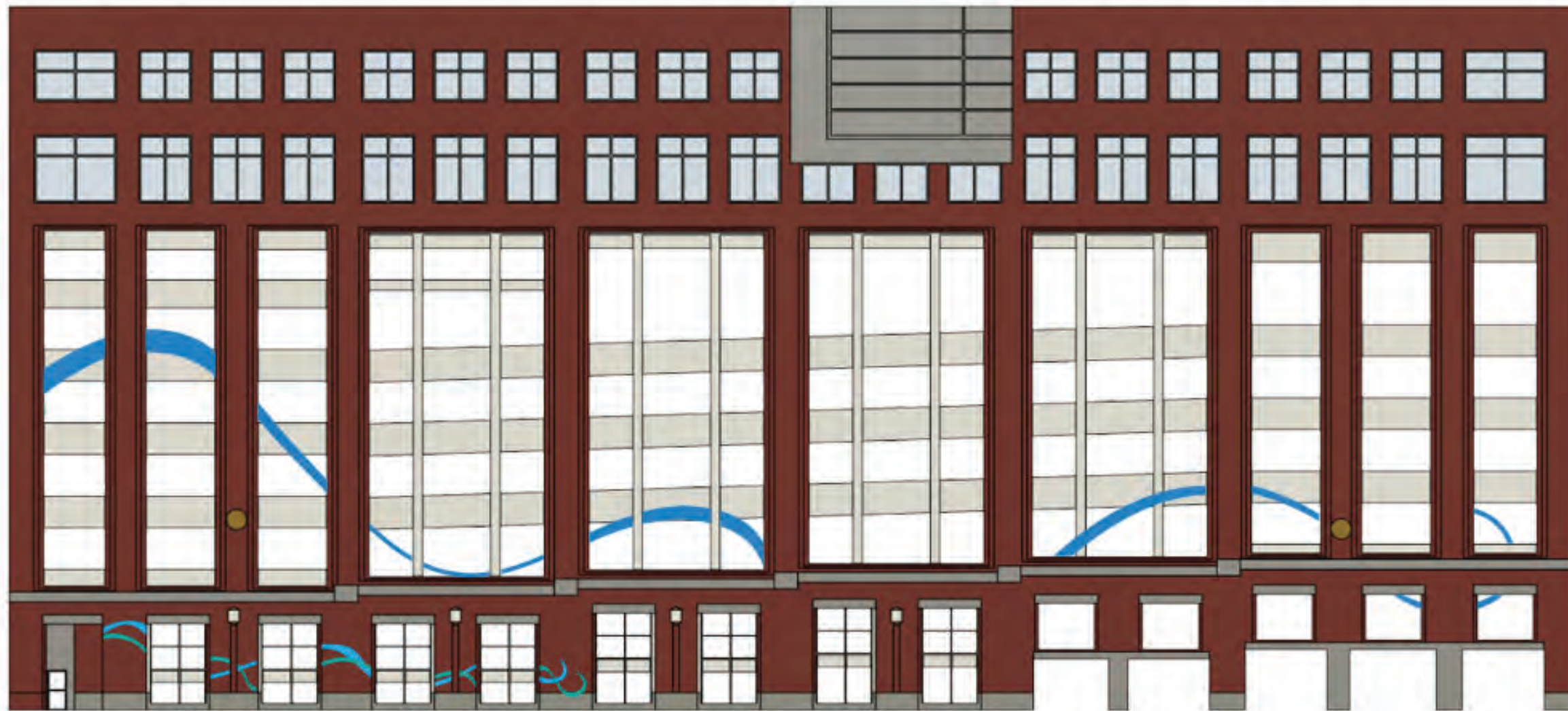


artists for humanity

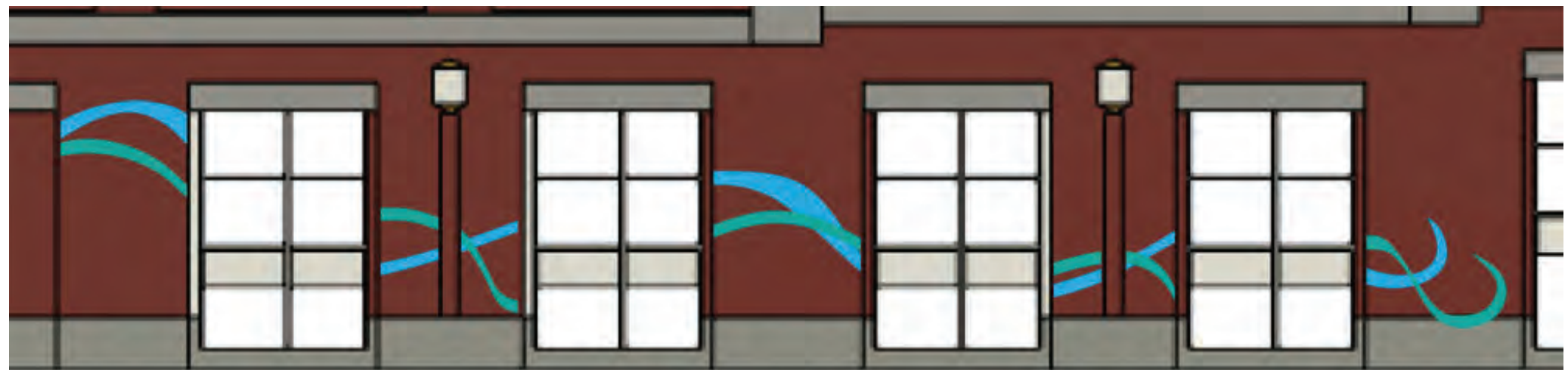
INVESCO STILLINGS ST WALL
SEPTEMBER 15, 2020

WAVES BY JANET

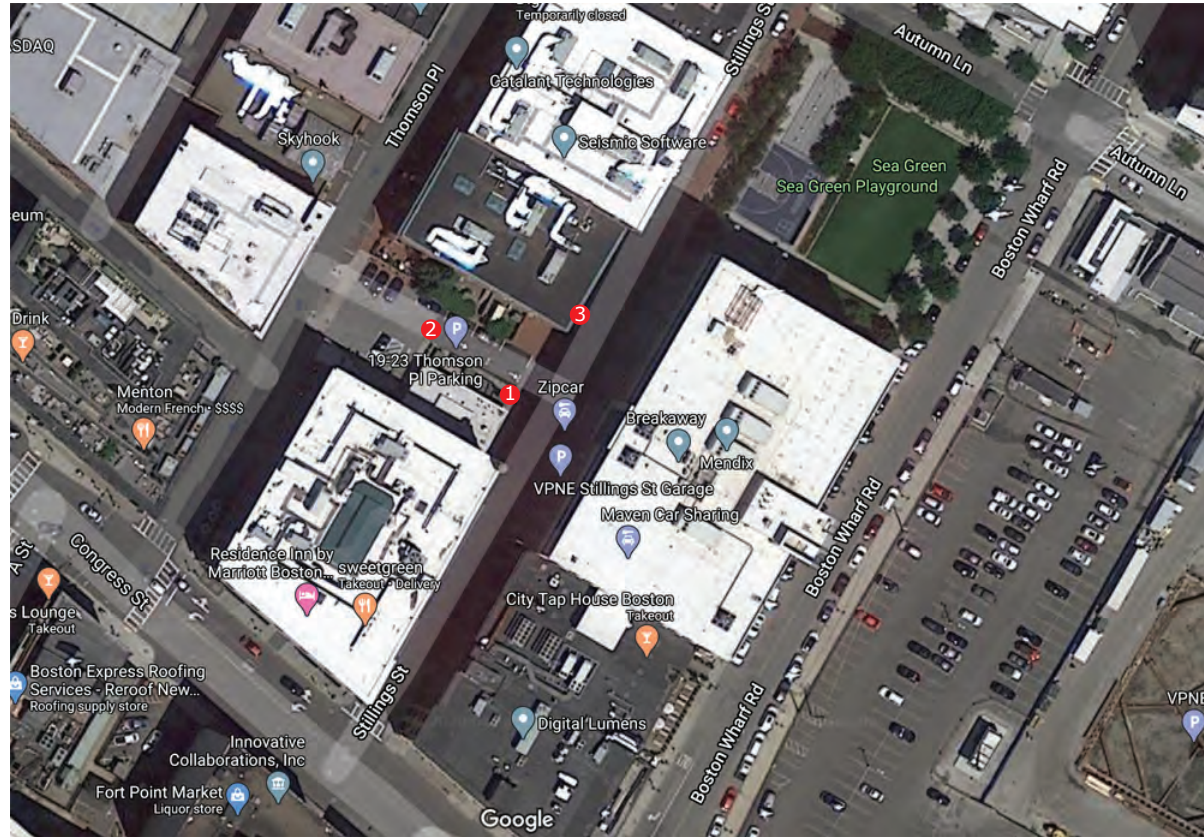
The history of Fort Point centers around the harbor. It has been the heart of the neighborhood for generations where Bostonians have made their livelihood in the shipping industries. Although the neighborhood continues to change, the ocean remains a constant link to the past. This concept was created by a teen artist in Artists for Humanity's 3D Design Studio.



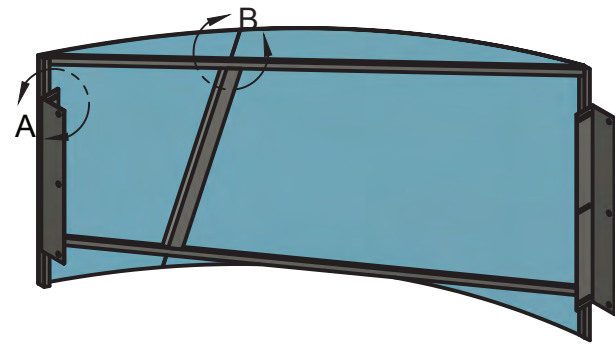
detail view - ground level



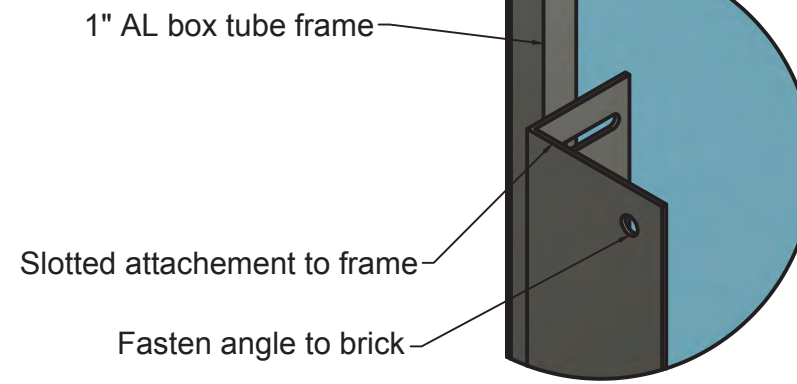
Views from three locations



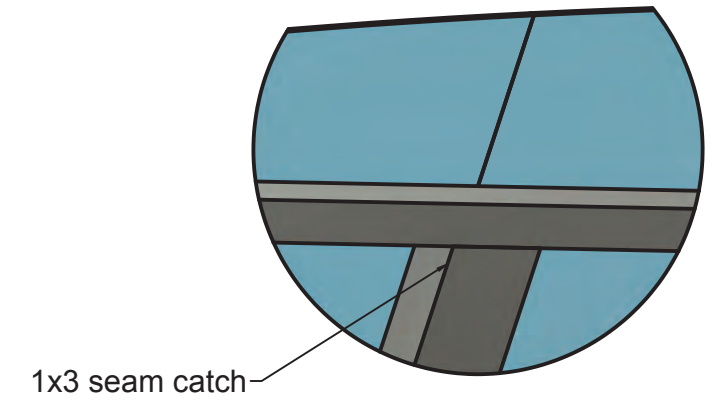
Preliminary fabrication drawings of a big (upper) wave component



2 - Rear Iso



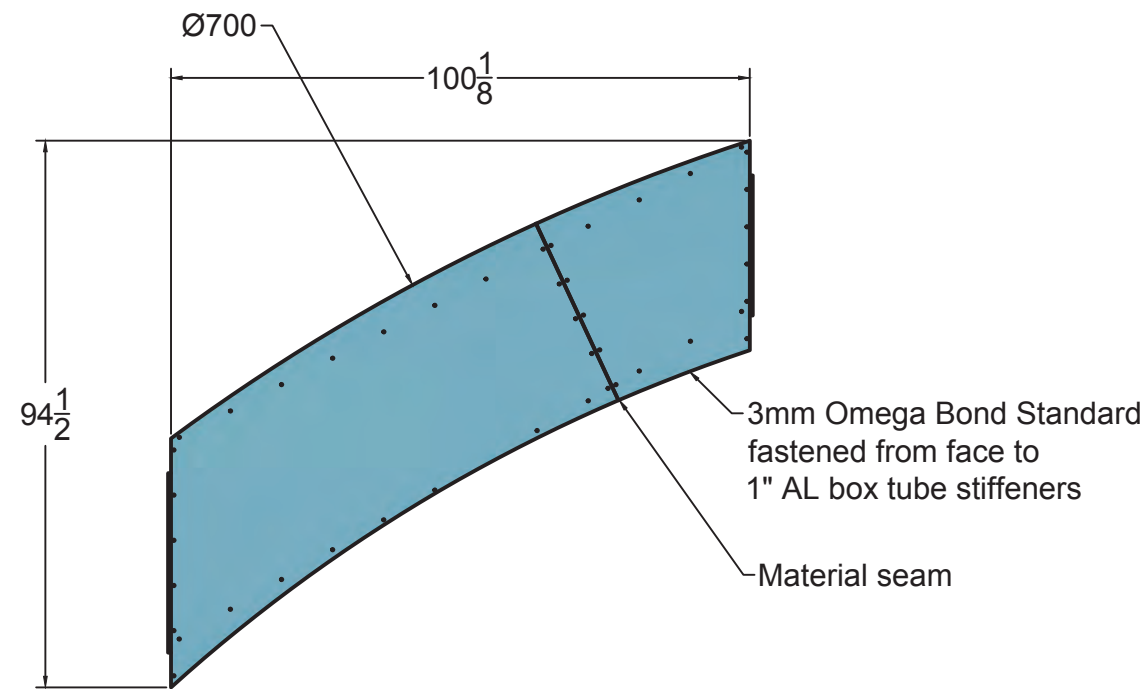
DETAIL A
SCALE 6" = 1'-0"



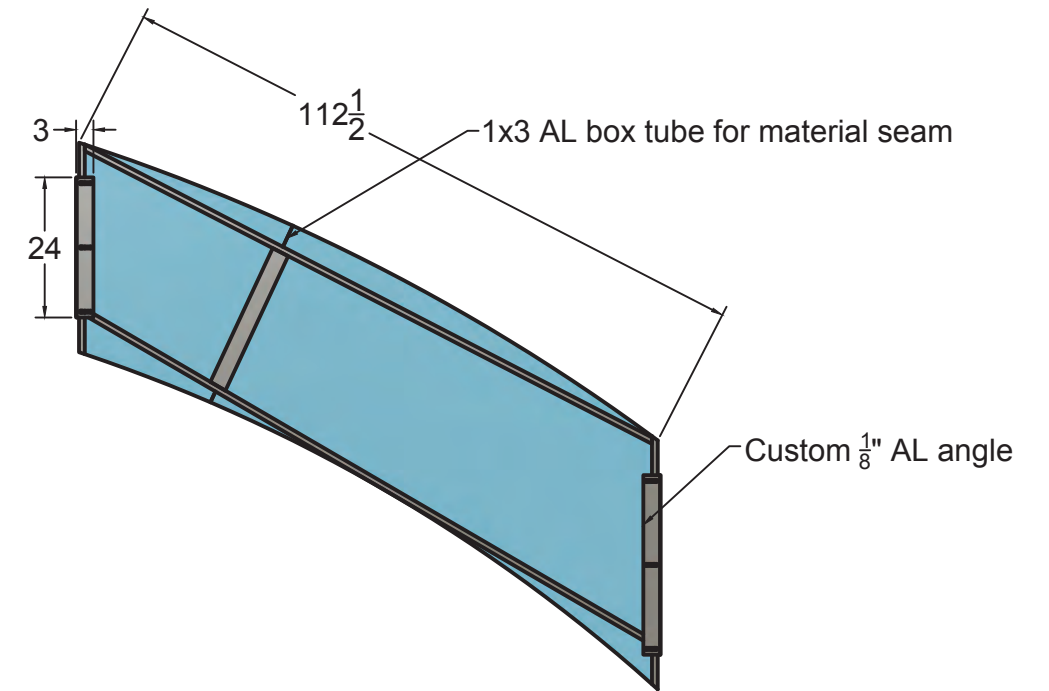
DETAIL B
SCALE 6" = 1'-0"



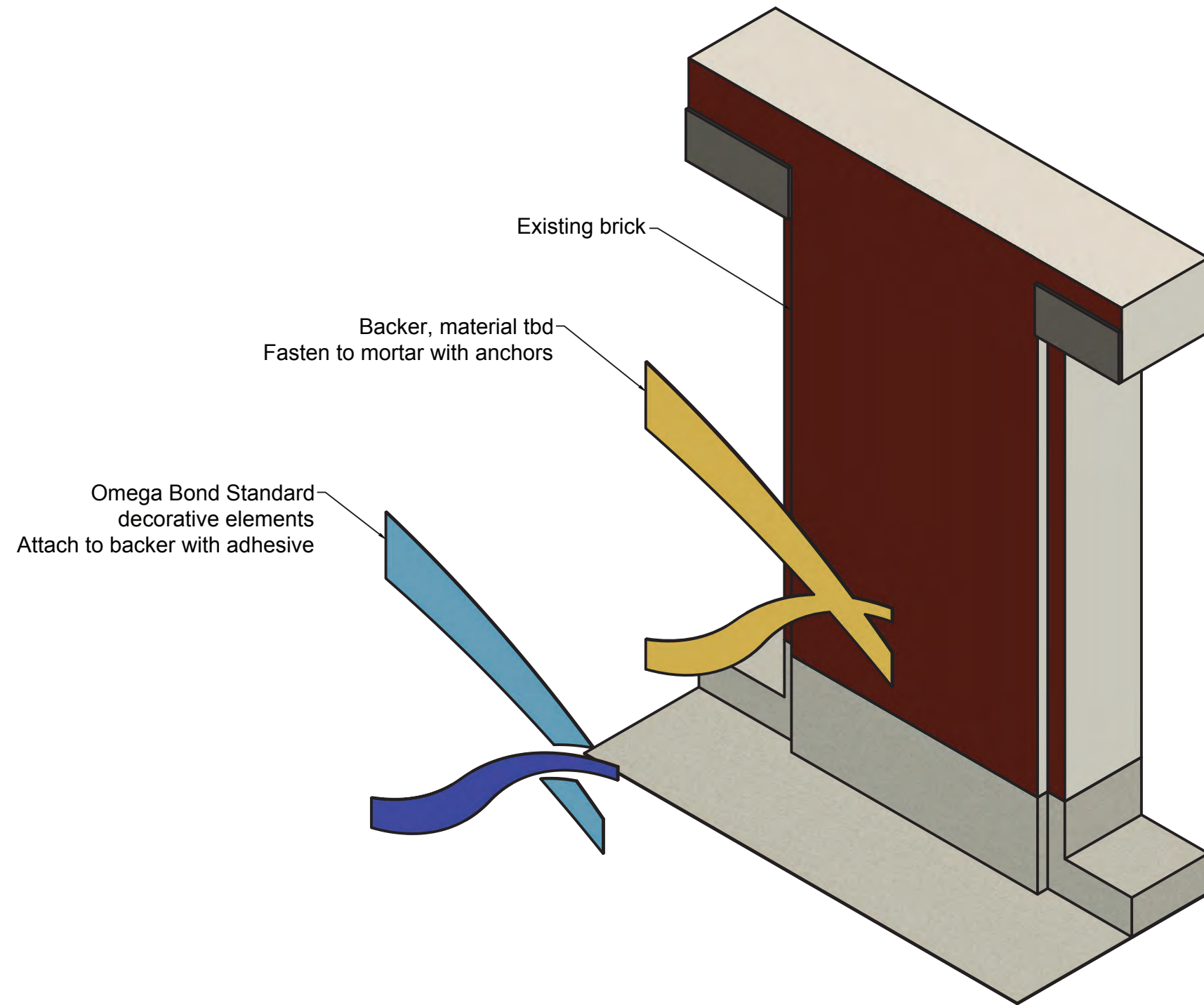
2 - Top View



1 - Front Elevation



4 - Rear Elevation



1 - Exploded View

Omega-Bond® Standard *Solid core aluminum composite panel*



INTERIOR & EXTERIOR APPLICATIONS

- Architectural Signage
- Corporate ID
- Digital Print
- Wall & Fence-mounted Signs
- Multiple Panel Signs
- Dimensional Lettering/Cut-outs
- Electrical LED or Neon Signs/Channel Letters
- Scoreboards
- Billboards
- Real Estate/Post & Panel Signs
- Fascia Signs
- Canopies
- ADA Compliant/Wayfinding Signs
- POP Displays & Exhibits
- Kiosks
- Temporary Construction & Traffic/Regulatory Signs
- Fine art murals
- Fabrication/3D Signs

MOISTURE-RESISTANT

CONSTRUCTION

- Features double- or single-sided matte painted aluminum bonded to a solid polyethylene core making them rigid yet lightweight

SPECIFICATIONS

Sizes Available	Thickness	Finished Faces	Colors	Approx. Sheet Weight
4' x 8'	2mm	2 sides	White/White	20 lbs.
4' x 8'	3mm	1 side	White/Mill Finished Backer	25 lbs.
4' x 8'	3mm	2 sides	All Colors on Page 13	27 lbs.
4' x 10'	3mm	2 sides	White, Black	31 lbs.
5' x 10'	3mm	2 sides	White, Black	39 lbs.
4' x 8'	4mm	2 sides	White	33 lbs.
4' x 8'	6mm	2 sides	White, Black	50 lbs.
4' x 10'	6mm	2 sides	White	62 lbs.

Colors and other sizes available by special order

BENEFITS

- Optimal for direct digital printing and cutting
- Durable, water-resistant construction
- Solid core prevents bowing, warping, swelling, and delamination
- Flat, smooth surface ready for paint, inks, vinyl letters, and more
- Ability to bend and rout panels
- High-quality, low-cost choice for interior and exterior signage needs
- Class A flame spread rating
- UL Recognized Component

Omega-Bond



Omega-Bond Standard	Construction	Applications	Available Colors	Finished Faces	Panel Sizes	Thicknesses	Fabrication	Surface Finishing	Forming Techniques	Flammability	Exterior Usage Warranty	Average Application Life
	Painted aluminum Solid plastic core	Architectural Signage, Corporate ID, Digital Print, Wall & Fence-mounted Signs, Multiple Panel Signs, Dimensional Lettering/Cut-outs, Electrical LED or Neon Signs/Channel Letters, Scoreboards, Billboards, Real Estate/Post & Panel Signs, Fascia Signs, Canopies, ADA Compliant/Wayfinding Signs, POP Displays & Exhibits, Kiosks, Temporary Construction & Traffic/Regulatory Signs, Fine art murals, Fabrication/3D Signs	White, Black, Brushed Gold, Brushed Silver, Brushed Bronze, Silver, Yellow, Red, Blue, Green, Light Ivory, Bronze Metallic	Single- or Double-Sided Finished Face	4' x 8' 4' x 10' (White and Black) 5' x 10' (White only)	2mm 3mm 4mm 6mm Other thicknesses available by special order	Circular saw, jigsaw, drill, shear, punch, hand router, CNC router, press brake, panel saw, table saw	Digital printing, screen printing, vinyl graphics, sign paint, laser engraving	Rout and bend, roll form, reciprocating saw, band saw	Class A, ASTM E84	5-year warranty on lamination 5-year Colorfast warranty on faces	Long term

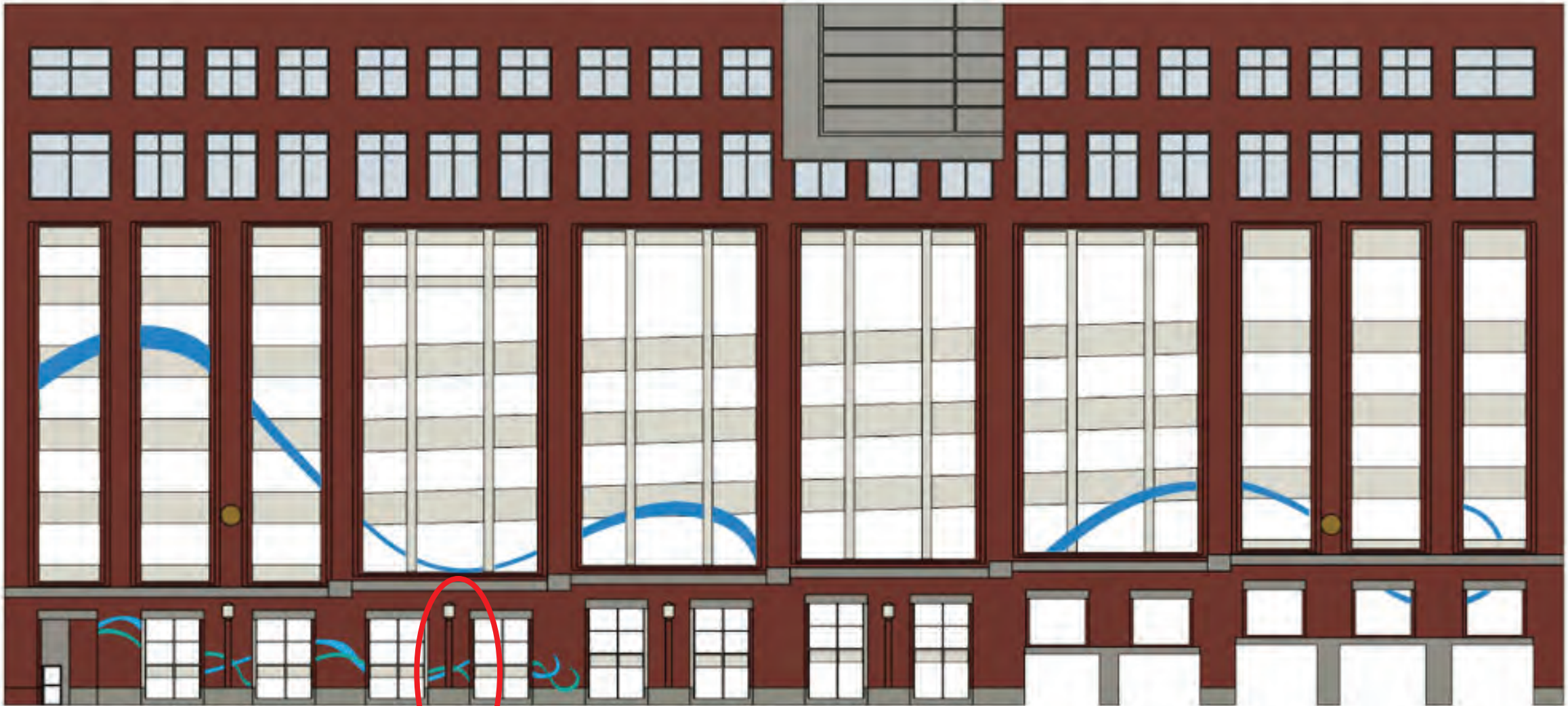
artists for humanity

INVESCO STILLINGS ST WALL
OCTOBER 5, 2020

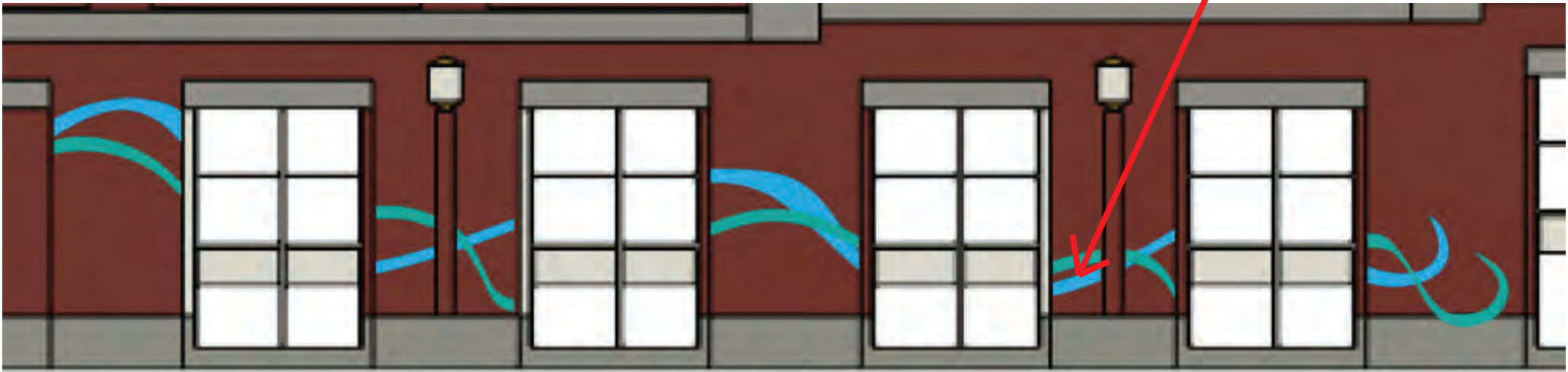
WAVES BY JANET

A small section of OmegaBond has been attached to the mortar and is ready to be reviewed. The location is as follows.

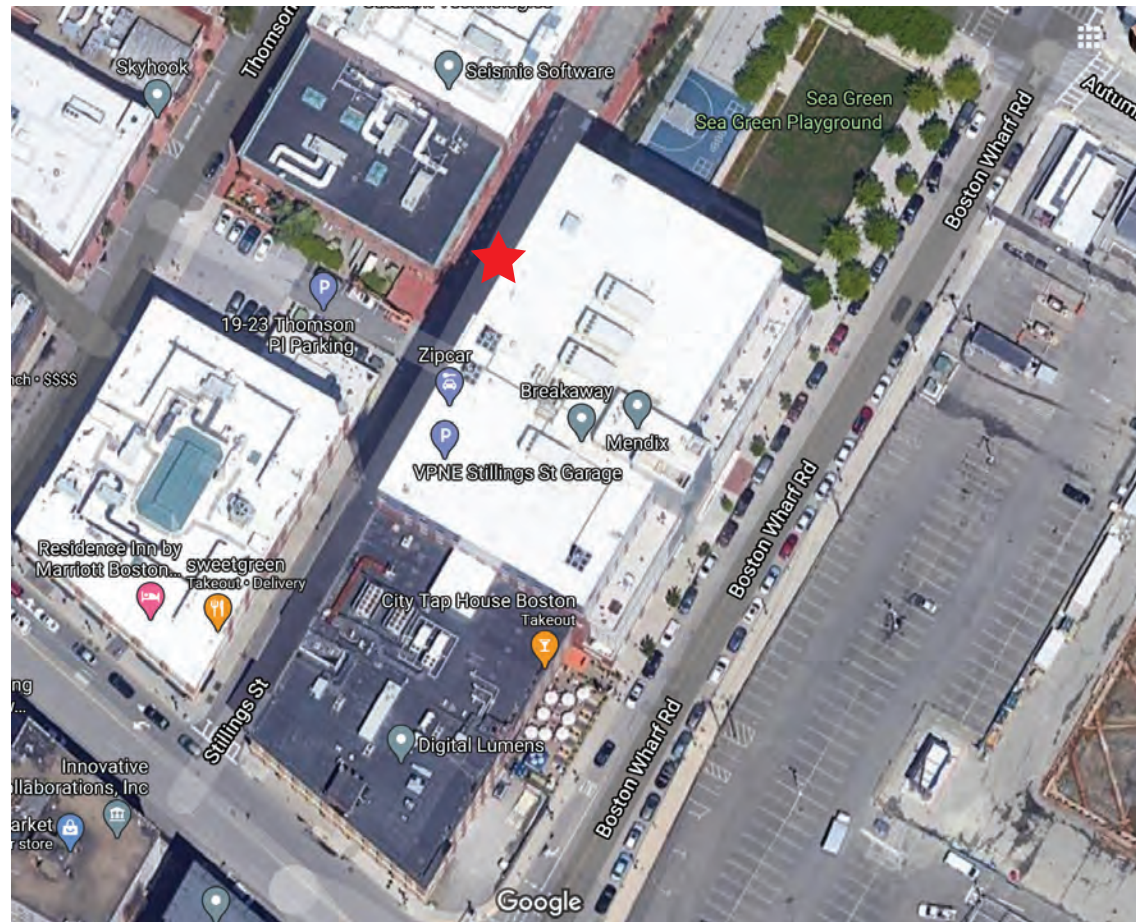
*note: the sample is not an accurate representation of the final color. This is a standard color. The actual piece will be a custom color, closer to the color shown in the rendering.



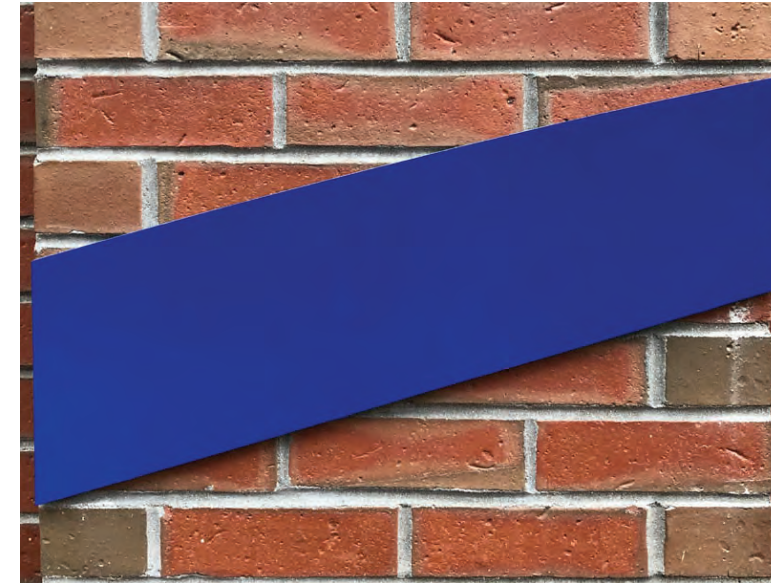
detail view - ground level




Material sample location



Photos of the sample onlocation



MOISTURE-RESISTANT



Omega-Bond® Standard Solid core aluminum composite panel

CONSTRUCTION

- Features double- or single-sided matte painted aluminum bonded to a solid polyethylene core making them rigid yet lightweight

SPECIFICATIONS

Sizes Available	Thickness	Finished Faces	Colors	Approx. Sheet Weight
4' x 8'	2mm	2 sides	White/White	20 lbs.
4' x 8'	3mm	1 side	White/Mill Finished Backer	25 lbs.
4' x 8'	3mm	2 sides	All Colors on Page 13	27 lbs.
4' x 10'	3mm	2 sides	White, Black	31 lbs.
5' x 10'	3mm	2 sides	White, Black	39 lbs.
4' x 8'	4mm	2 sides	White	33 lbs.
4' x 8'	6mm	2 sides	White, Black	50 lbs.
4' x 10'	6mm	2 sides	White	62 lbs.

Colors and other sizes available by special order

BENEFITS

- Optimal for direct digital printing and cutting
- Durable, water-resistant construction
- Solid core prevents bowing, warping, swelling, and delamination
- Flat, smooth surface ready for paint, inks, vinyl letters, and more
- Ability to bend and rout panels
- High-quality, low-cost choice for interior and exterior signage needs
- Class A flame spread rating
- UL Recognized Component

INTERIOR & EXTERIOR APPLICATIONS

- Architectural Signage
- Corporate ID
- Digital Print
- Wall & Fence-mounted Signs
- Multiple Panel Signs
- Dimensional Lettering/Cut-outs
- Electrical LED or Neon Signs/Channel Letters
- Scoreboards
- Billboards
- Real Estate/Post & Panel Signs
- Fascia Signs
- Canopies
- ADA Compliant/Wayfinding Signs
- POP Displays & Exhibits
- Kiosks
- Temporary Construction & Traffic/Regulatory Signs
- Fine art murals
- Fabrication/3D Signs



Omega-Bond Standard	Construction	Applications	Available Colors	Finished Faces	Panel Sizes	Thicknesses	Fabrication	Surface Finishing	Forming Techniques	Flammability	Exterior Usage Warranty	Average Application Life
	Painted aluminum Solid plastic core	Architectural Signage, Corporate ID, Digital Print, Wall & Fence-mounted Signs, Multiple Panel Signs, Dimensional Lettering/Cut-outs, Electrical LED or Neon Signs/Channel Letters, Scoreboards, Billboards, Real Estate/Post & Panel Signs, Fascia Signs, Canopies, ADA Compliant/Wayfinding Signs, POP Displays & Exhibits, Kiosks, Temporary Construction & Traffic/Regulatory Signs, Fine art murals, Fabrication/3D Signs	White, Black, Brushed Gold, Brushed Silver, Brushed Bronze, Silver, Yellow, Red, Blue, Green, Light Ivory, Bronze Metallic	Single- or Double-Sided Finished Face	4' x 8' 4' x 10' (White and Black) 5' x 10' (White only)	2mm 3mm 4mm 6mm Other thicknesses available by special order	Circular saw, jigsaw, drill, shear, punch, hand router, CNC router, press brake, panel saw, table saw	Digital printing, screen printing, vinyl graphics, sign paint, laser engraving	Rout and bend, roll form, reciprocating saw, band saw	Class A, ASTM E84	5-year warranty on lamination 5-year Colorfast warranty on faces	Long term