



THE LANGHAM HOTEL

Dyer Brown Architects
dyerbrown.com

T 617 426 1680
F 617 426 2187

One Winthrop Square
Boston, MA 02110-1209

976 Brady Avenue, NW #100
Atlanta, GA 30318

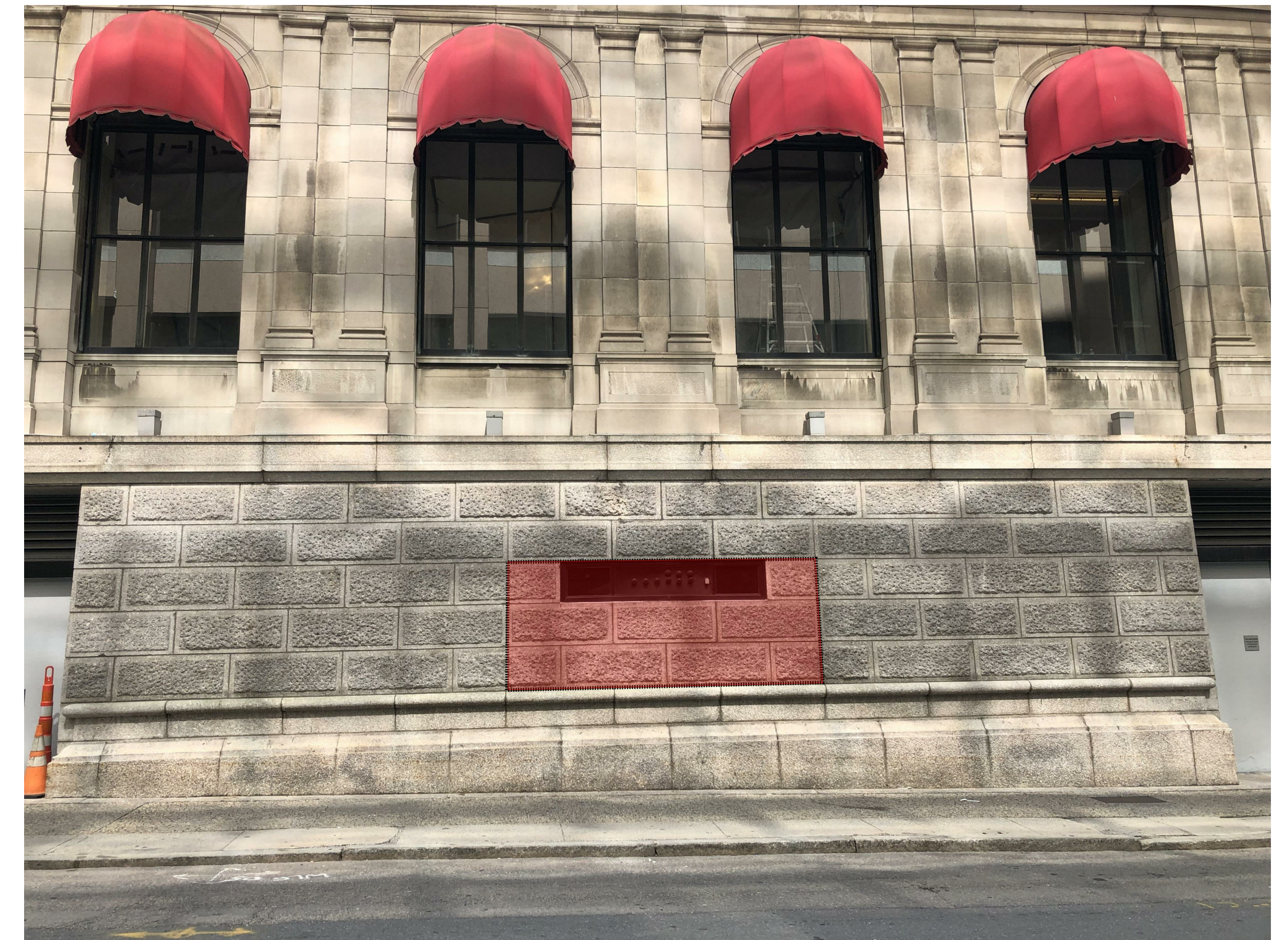
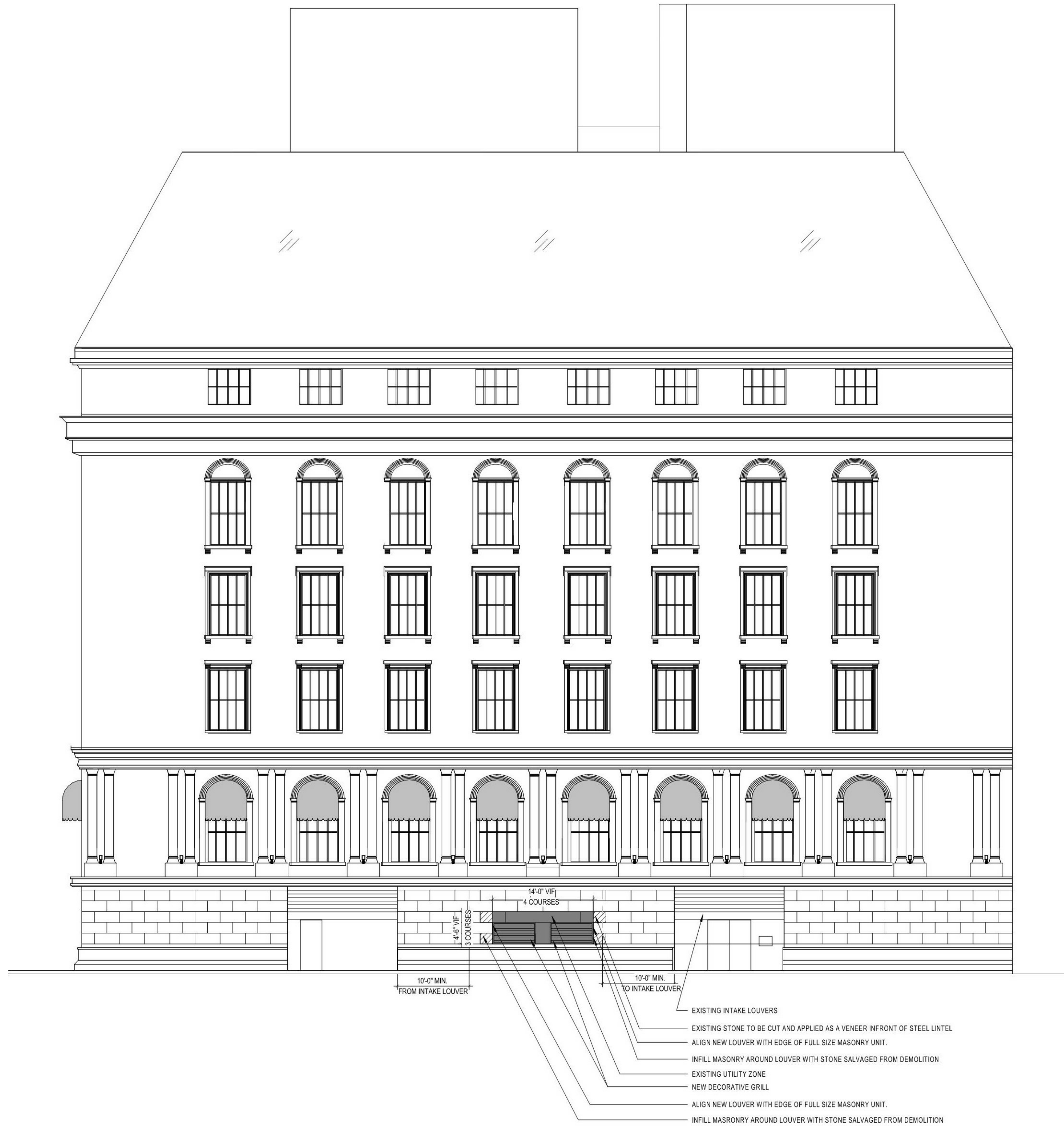


BOSTON LANDMARKS COMMISSION

August 25, 2020

PREPARED BY

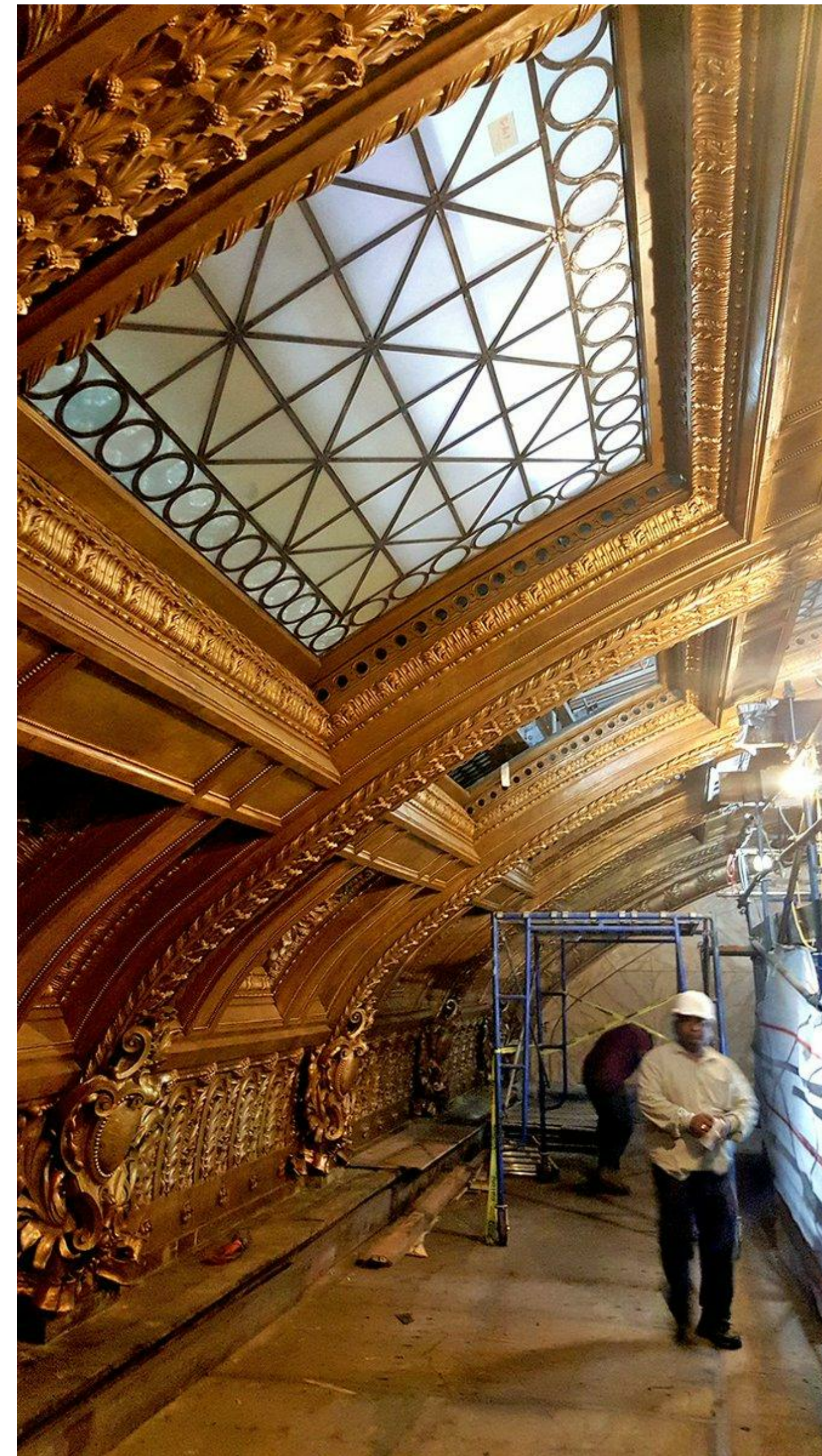
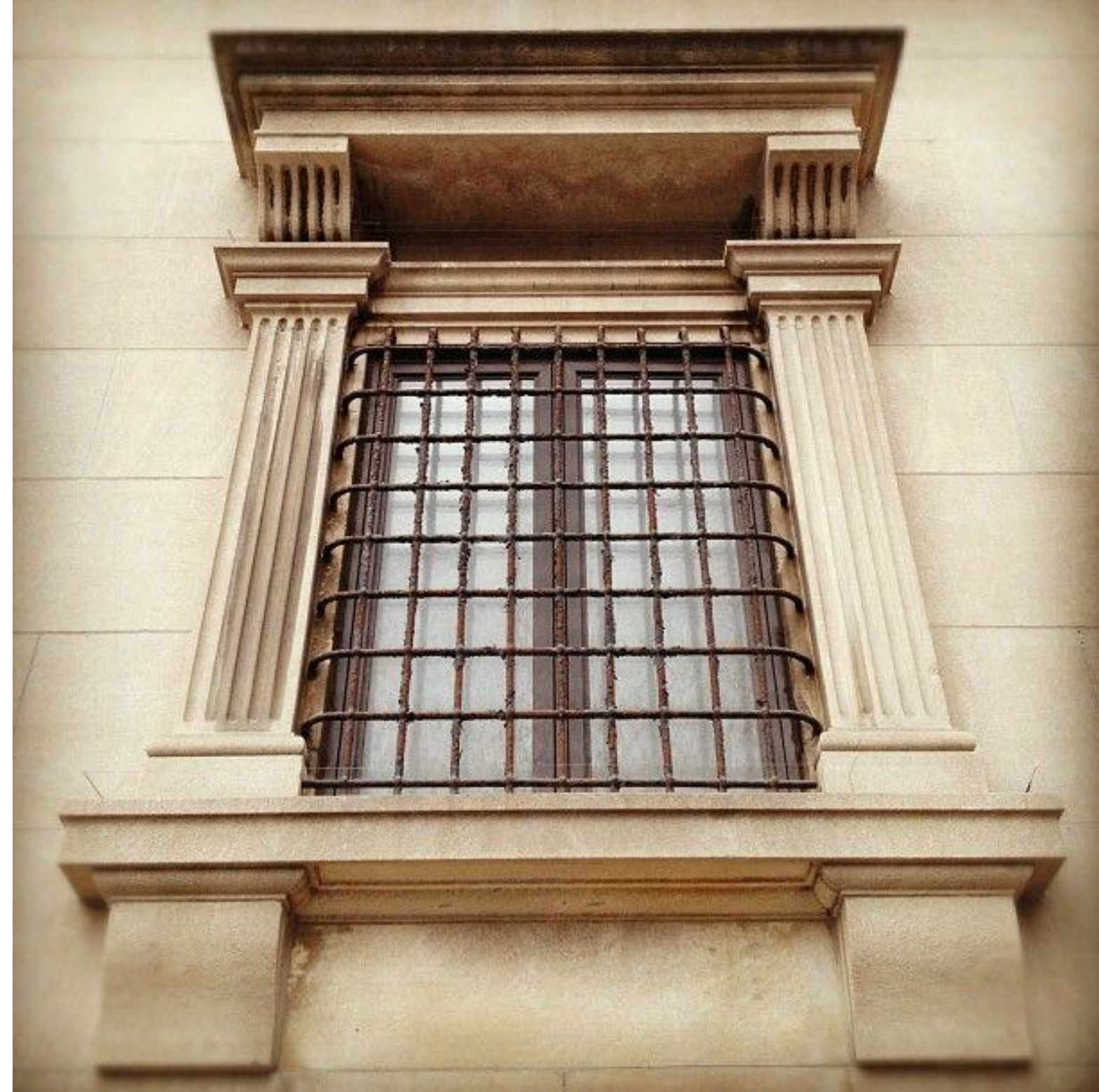
Dyer Brown Architects
One Winthrop Square
Boston, MA 02110



- EXISTING INTAKE LOUVERS
- EXISTING STONE TO BE CUT AND APPLIED AS A VENEER INFRONT OF STEEL LINTEL
- ALIGN NEW LOUVER WITH EDGE OF FULL SIZE MASONRY UNIT.
- INFILL MASONRY AROUND LOUVER WITH STONE SALVAGED FROM DEMOLITION
- EXISTING UTILITY ZONE
- NEW DECORATIVE GRILL
- ALIGN NEW LOUVER WITH EDGE OF FULL SIZE MASONRY UNIT.
- INFILL MASRONRY AROUND LOUVER WITH STONE SALVAGED FROM DEMOLITION

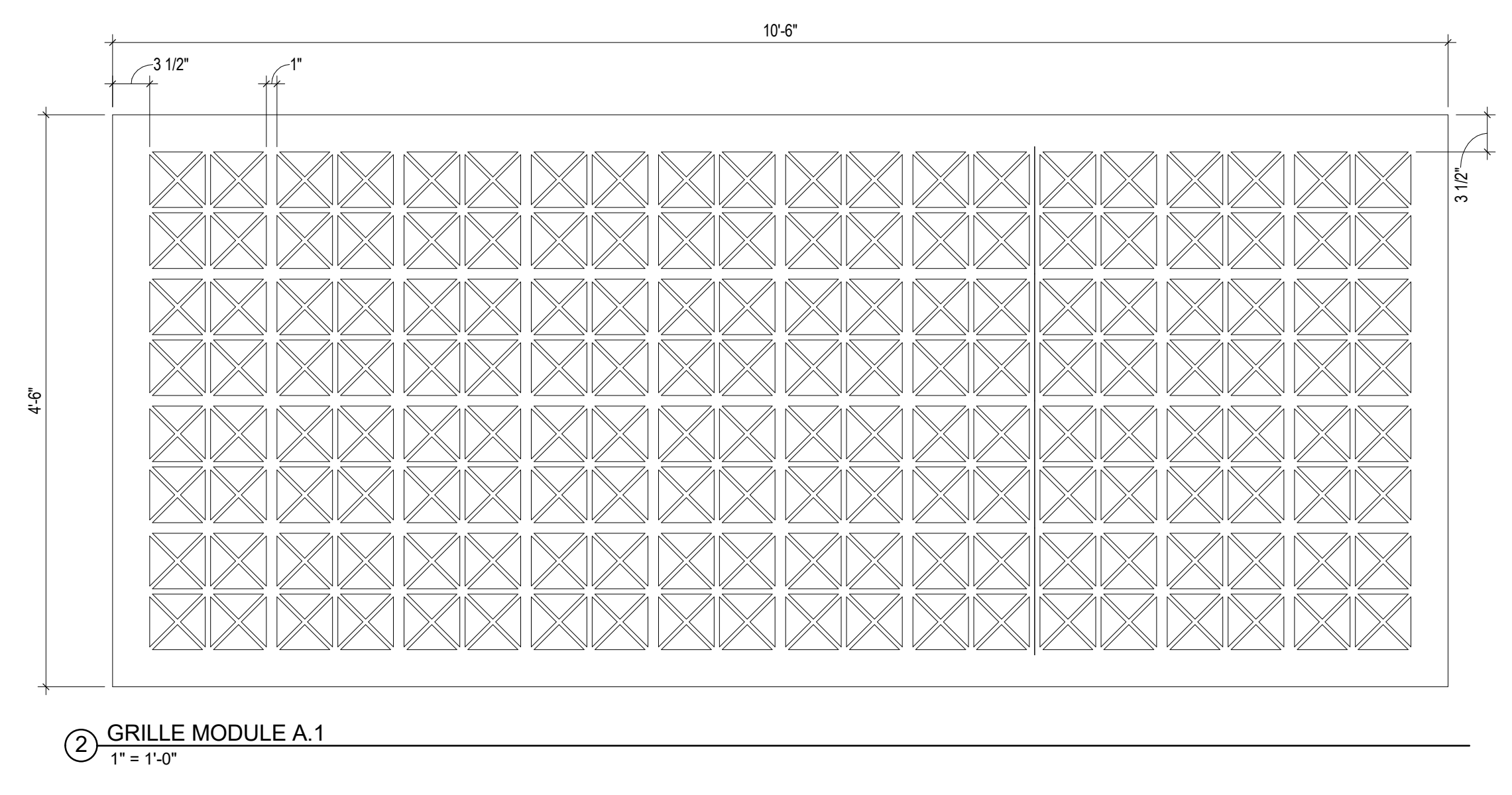
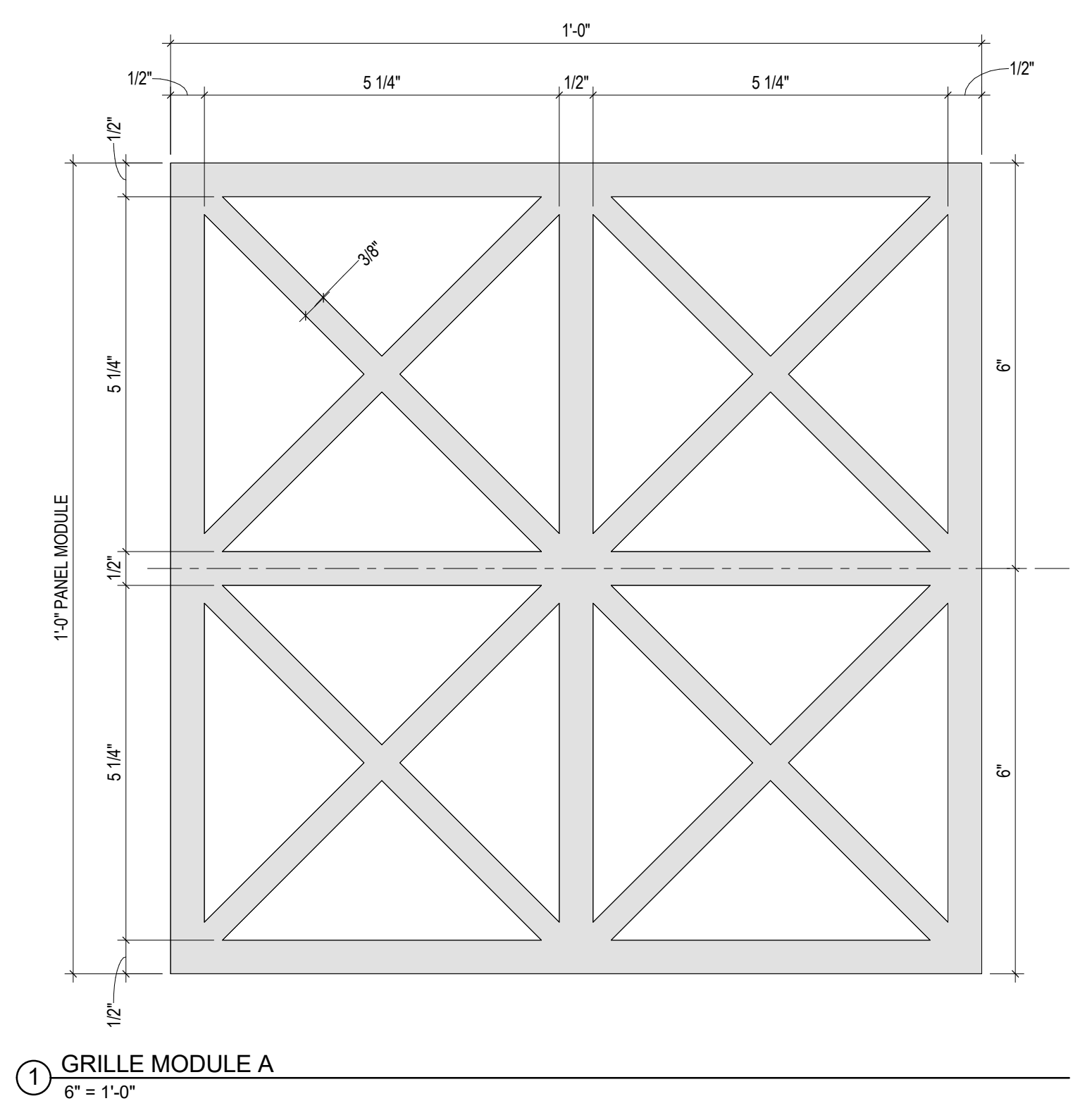
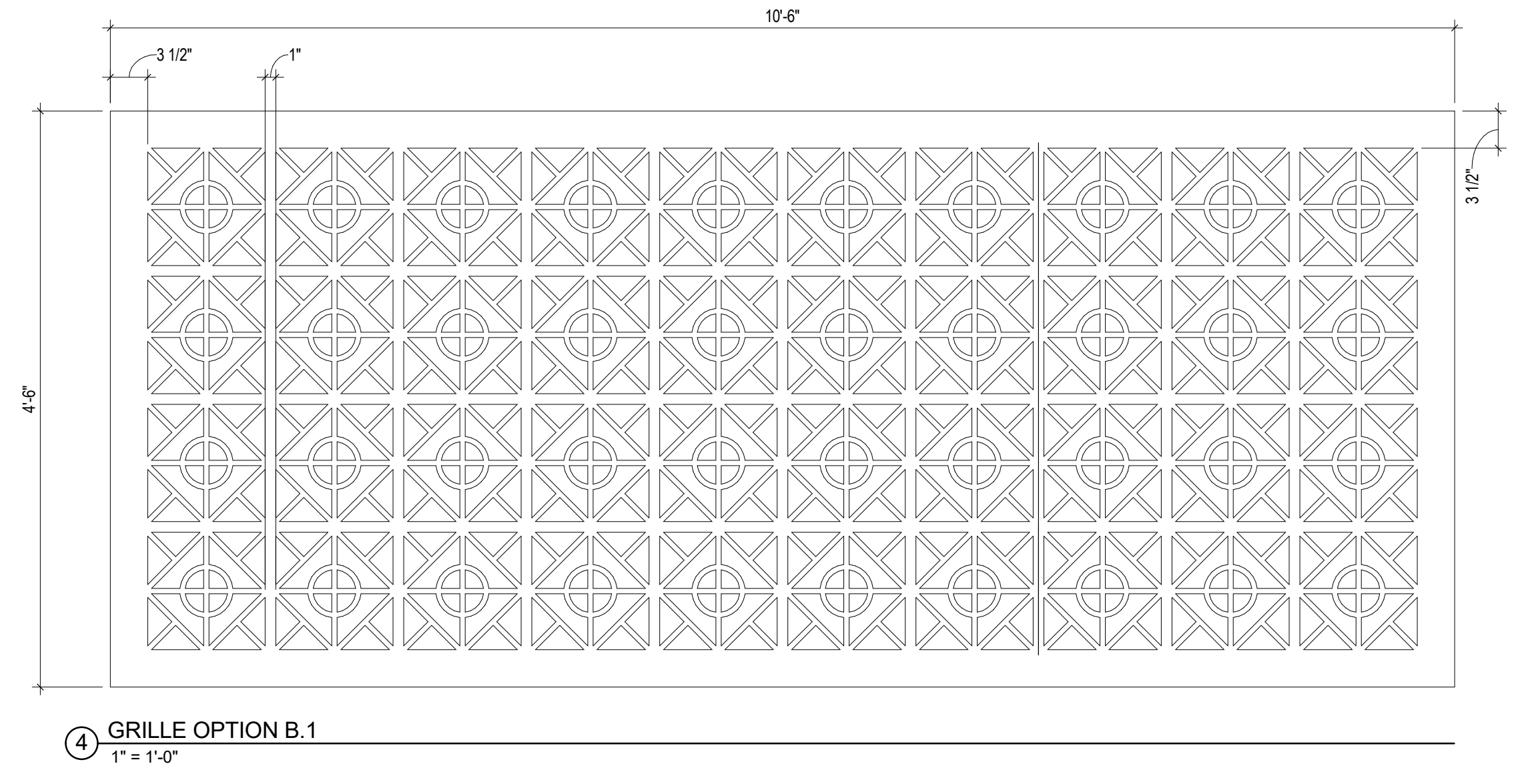
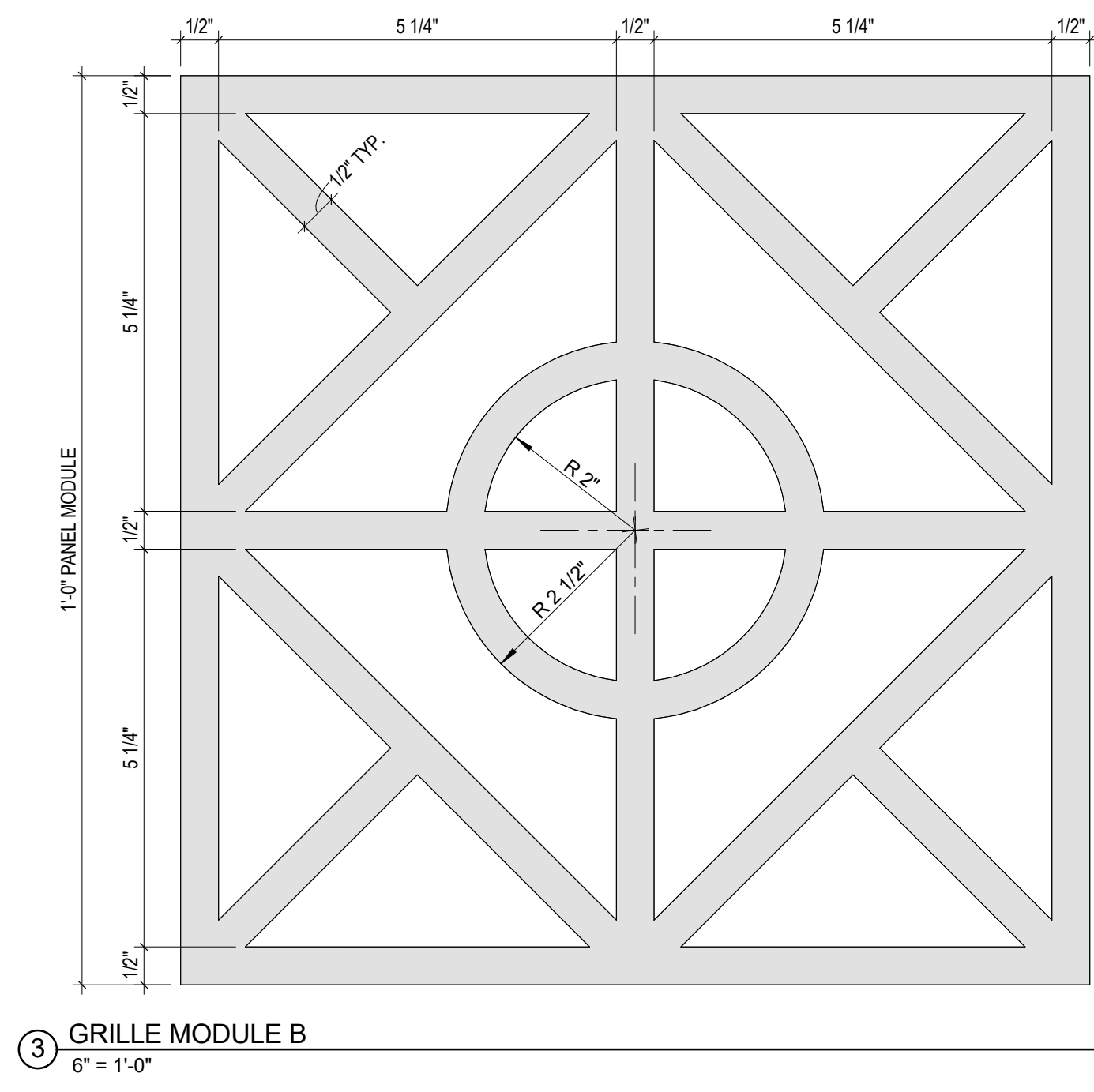
© 2017 Dyer Brown & Associates, Inc. All rights reserved. - PLOTTED 07/31/2020 2:13:17 PM
 C:\Work\2017\Langham_Boston\Langham_DOCUMENTATION\MODEL_CENTRAL_RIT_073120.rvt

DATE 07/31/20	CLIENT THE LANGHAM BOSTON	PROJECT THE LANGHAM RENOVATION	 One Winthrop Square Boston, MA 02110-1209 T 617 426 1680 F 617 426 2187
NO. LOUVER 1	TITLE LOUVER LOCATION		



Dyer Brown & Associates Inc. © 2017 ALL RIGHTS RESERVED - PLOT/SECTION/2020 11:07:09 AM C:\Revit\2017\Local\Plan\BOSTON_LANGHAM_DOCUMENTATION\MODEL_CENTRAL_RIT_01.dwg

<p>DATE 05/19/20</p>	<p>CLIENT THE LANGHAM BOSTON</p>	<p>PROJECT THE LANGHAM RENOVATION</p>	<p>DYER BROWN DYER BROWN ARCHITECTS DYERBROWN.COM</p>	<p>One Winthrop Square Boston, MA 02110-1209</p> <p>T 617 426 1680 F 617 426 2187</p>
<p>NO. SKA-74</p>	<p>TITLE PRECEDENT IMAGES</p>			



Dyer Brown & Associates Inc. - 02017 ALL RIGHTS RESERVED - PLOT102010209.8.5228 AM C:\Rev\2017\Langham_Boston\DOCUMENTATION\MODEL_CENTRAL_RIT.dgn

DATE 06/24/20	CLIENT THE LANGHAM BOSTON	PROJECT THE LANGHAM RENOVATION		One Winthrop Square Boston, MA 02110-1209	T 617 426 1680 F 617 426 2187
NO. SKA-00D	TITLE LOUVER GRILLE OPTIONS				



Dyer Brown & Associates Inc. © 2017 ALL RIGHTS RESERVED - PLOTTED 07/31/2020 2:13:18 PM C:\Work\2017\Local\PhemMA_BOSTON_LANGHAM_DOCUMENTATION\MODEL_CENTRAL_RIT_aggressive

DATE
07/31/20

NO.
LOUVER 2

CLIENT
THE LANGHAM BOSTON

TITLE
LOUVER RENDERINGS

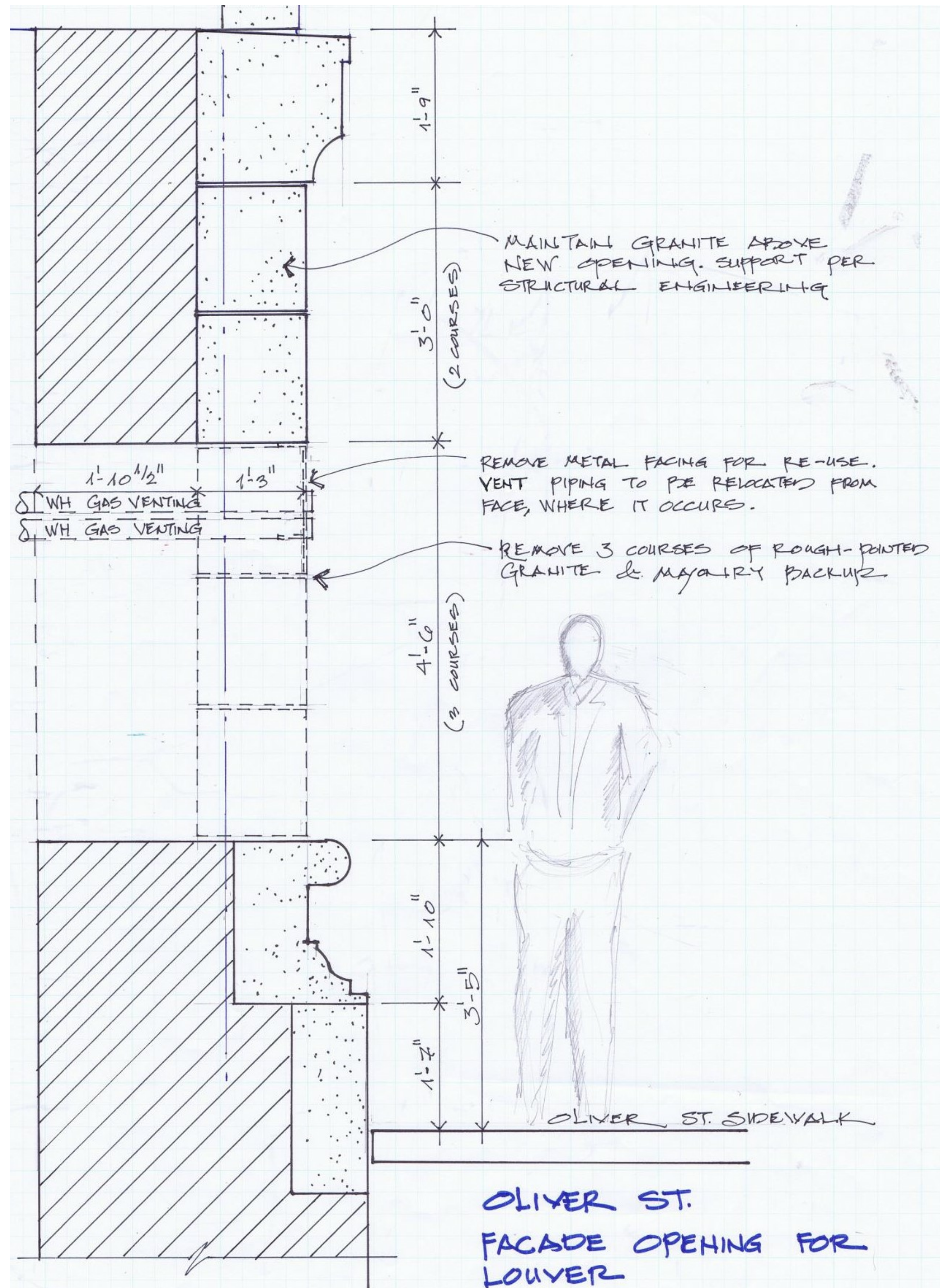
PROJECT
THE LANGHAM RENOVATION

DYER BROWN
DYER BROWN ARCHITECTS | DYERBROWN.COM

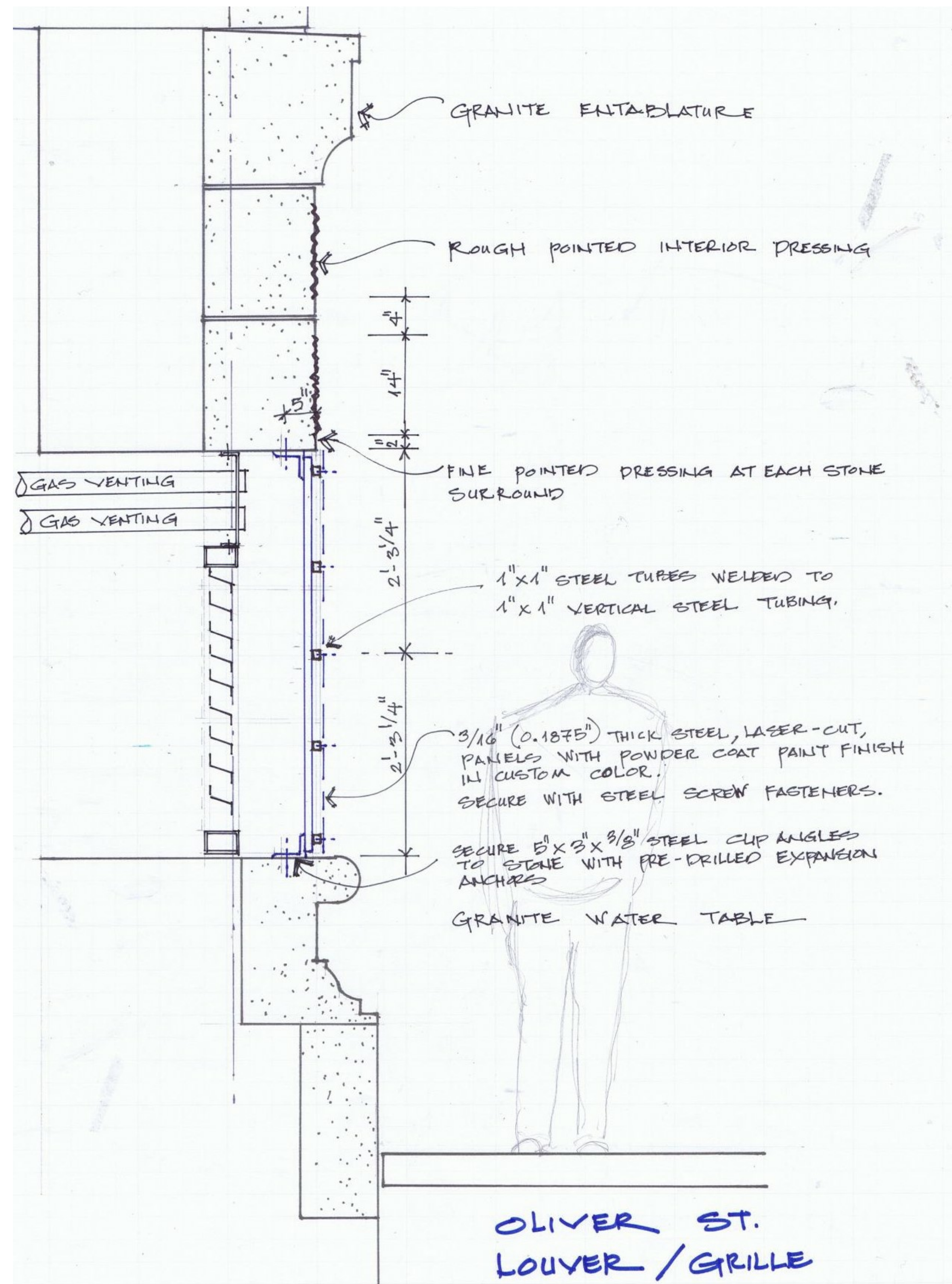
One Winthrop Square
Boston, MA 02110-1209

T 617 426 1680
F 617 426 2187

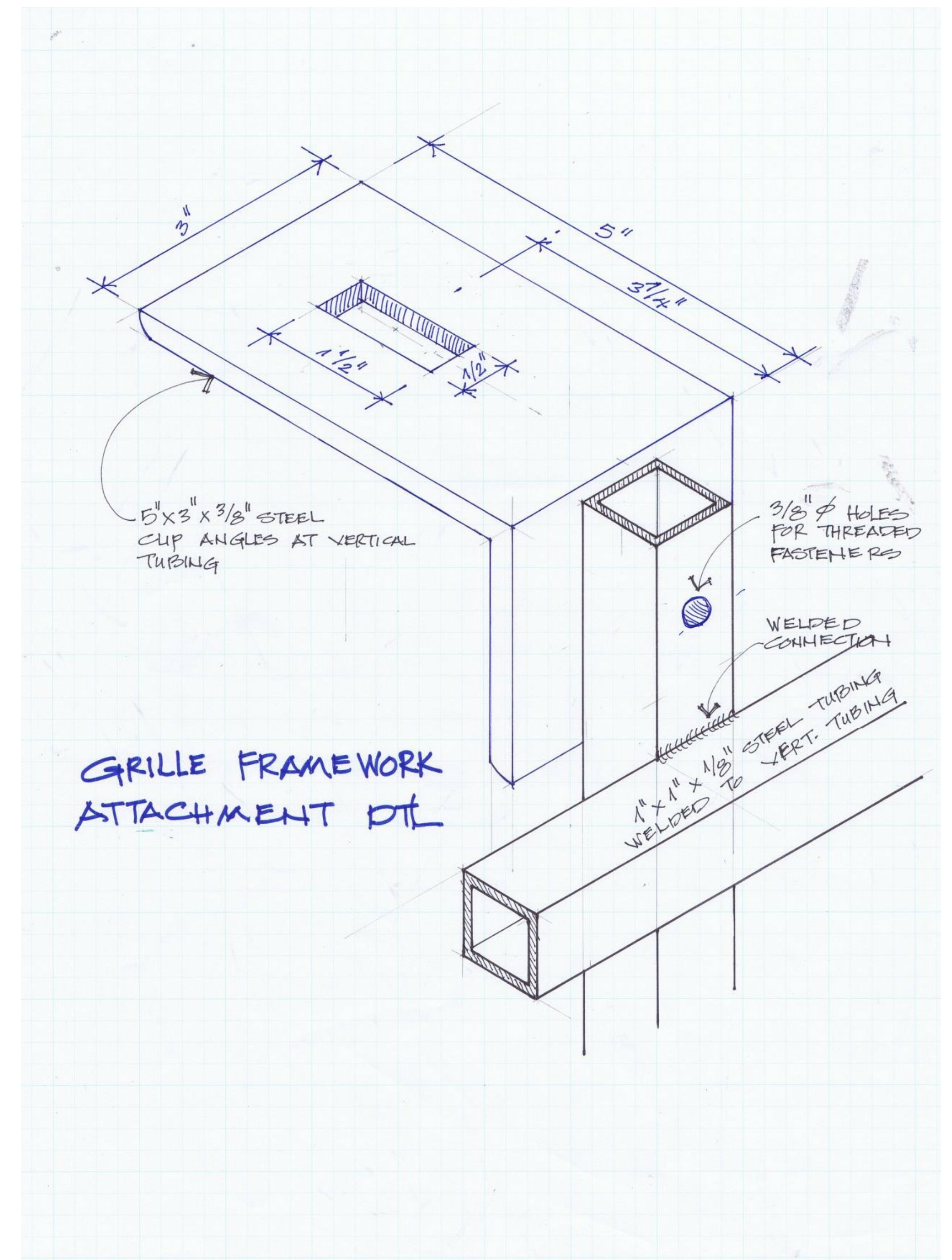
Dyer Brown & Associates Inc. © 2017 ALL RIGHTS RESERVED - PLOTTED 07/31/2020 2:13:22 PM
 C:\DWG\2017\Langham_Boston_DOCUMENTATION\MODEL_CENTRAL_RIT.dwg



OLIVER ST.
FACADE OPENING FOR
LOUVER

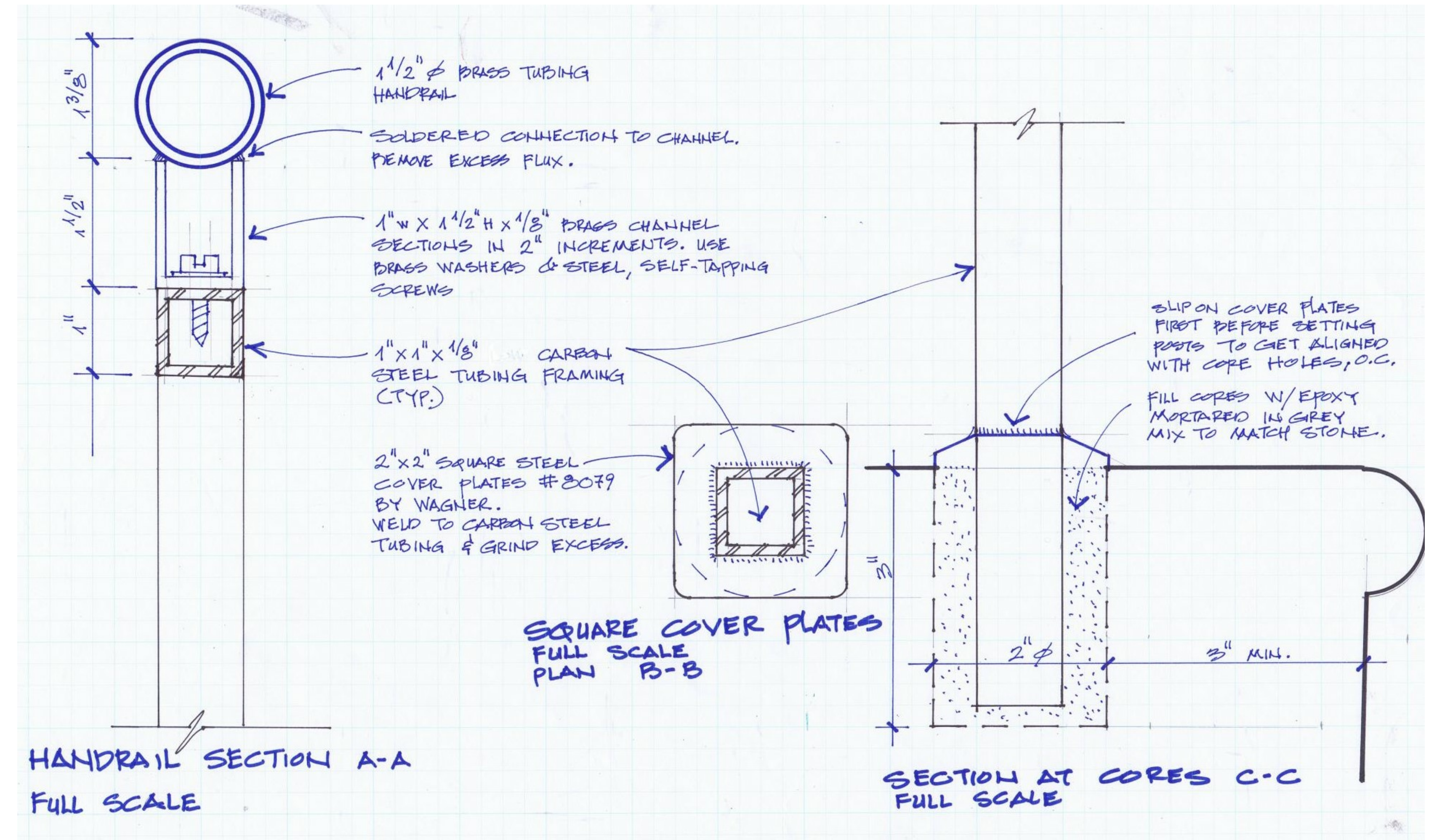
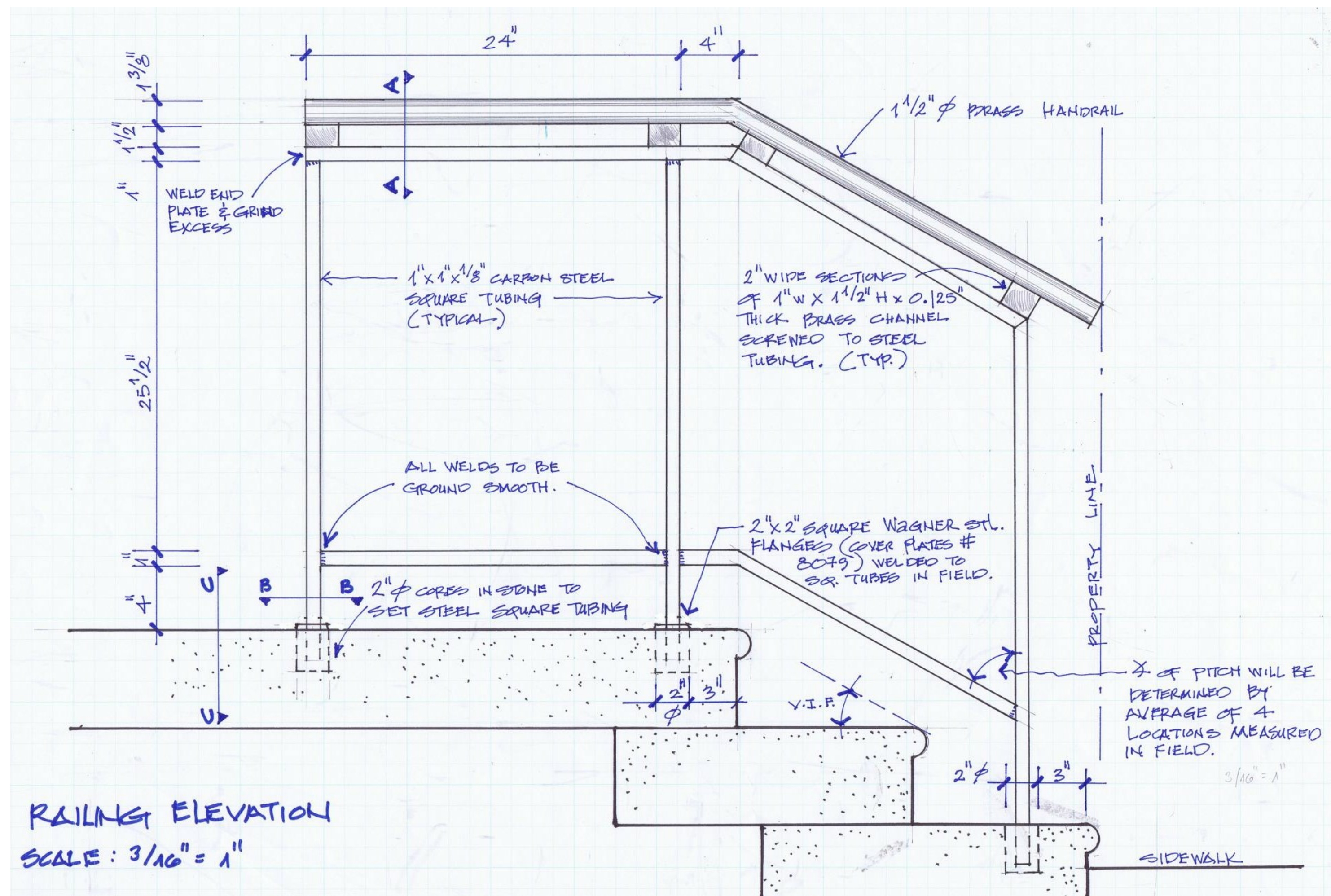


OLIVER ST.
LOUVER / GRILLE



GRILLE FRAMEWORK
ATTACHMENT DET

DATE 07/31/20	CLIENT THE LANGHAM BOSTON	PROJECT THE LANGHAM RENOVATION		One Winthrop Square Boston, MA 02110-1209	T 617 426 1680 F 617 426 2187
NO. LOUVER 3	TITLE LOUVER DETAILS				



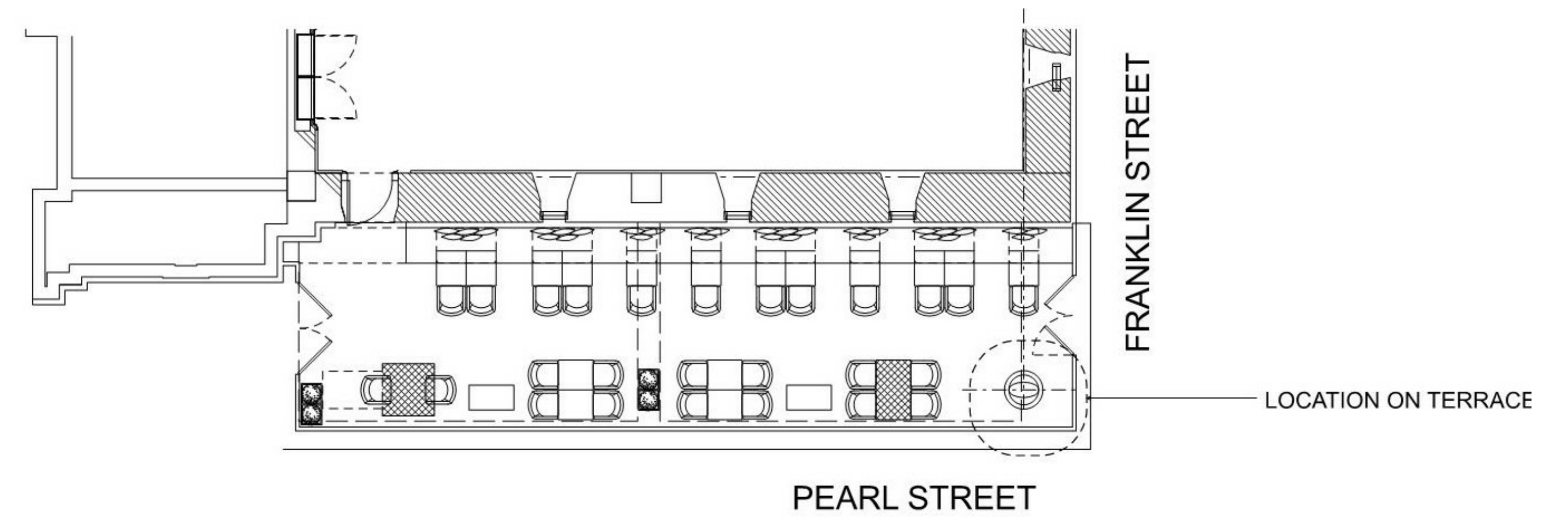
Dyer Brown & Associates, Inc. © 2017 ALL RIGHTS RESERVED - PLOTTED 07/10/2022 12:32 PM
 Client: 2017 User: PHMMA_BOSTON_DOCUMENTATION_MODEL_CENTRAL_RIT_agency.rvt

DATE 07/31/20	CLIENT THE LANGHAM BOSTON	PROJECT THE LANGHAM RENOVATION	 DYER BROWN ARCHITECTS DYERBROWN.COM	One Winthrop Square Boston, MA 02110-1209	T 617 426 1680 F 617 426 2187
NO. RAILS	TITLE PEARL STREET HANDRAILS				



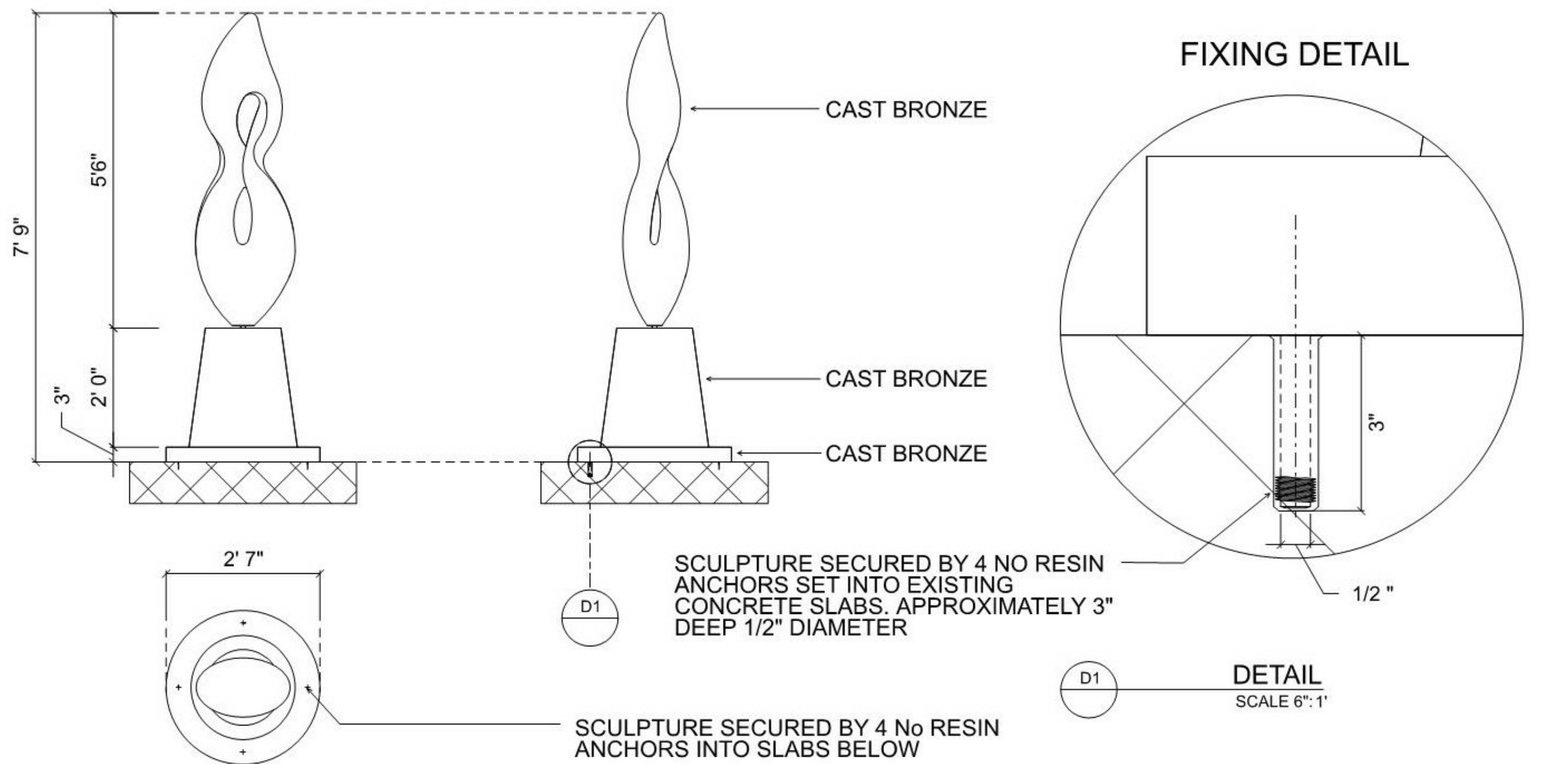
TERRACE PLAN

02 PLAN
SCALE 1/8": 1'



SCULPTURE DETAILS

03 ELEVATIONS
SCALE 1/2": 1'



04 PLAN
SCALE 1/2": 1'



"BELLADONNA" BY RICHARD ERDMAN.
CAST BRONZE SCULPTURE ON BRONZE
PEDESTAL AND PLINTH

PEARL STREET ELEVATION

01 ELEVATION
SCALE 1/16": 1'

Dyer Brown & Associates Inc. © 2017 ALL RIGHTS RESERVED - PLOT 07/31/2020 2:21:55 PM C:\Revit\2017\Local\PlanMA_Boston\Langham\DOCUMENTATION\MODEL_CENTRAL_RIT_01.dwg

DATE 07/31/20	CLIENT THE LANGHAM BOSTON	PROJECT THE LANGHAM RENOVATION		One Winthrop Square Boston, MA 02110-1209	T 617 426 1680 F 617 426 2187
NO. SCULPTURE	TITLE TERRACE SCULPTURE				