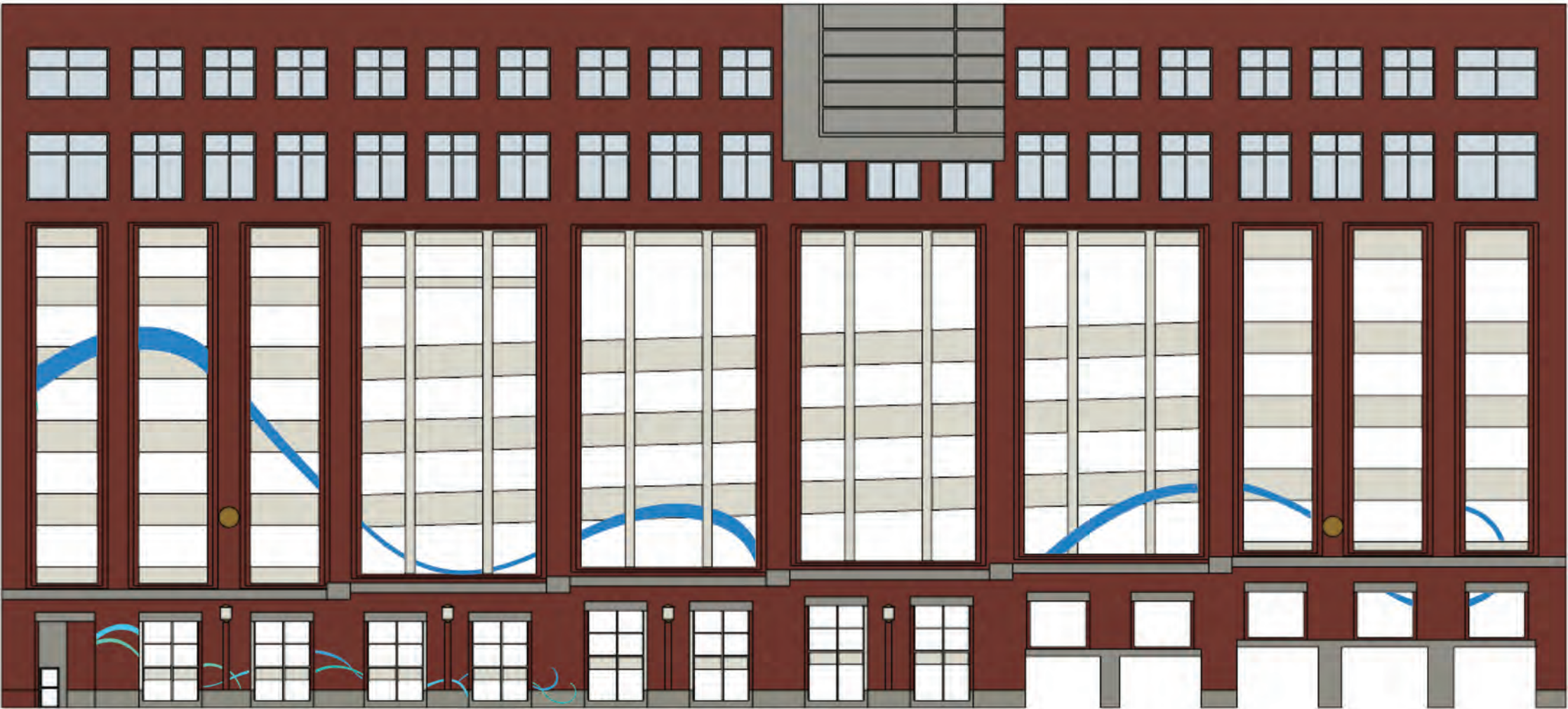


artists for humanity

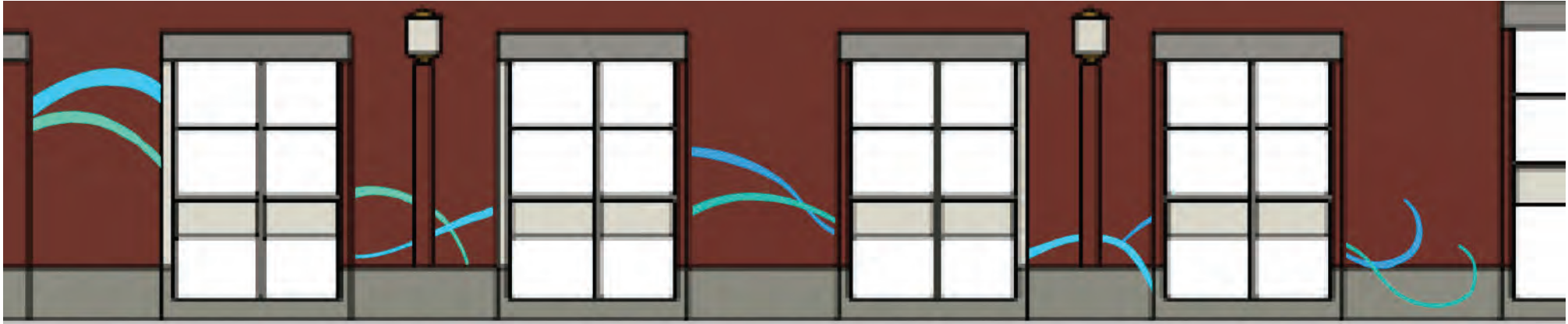
INVESCO STILLINGS ST WALL
JULY 30, 2020

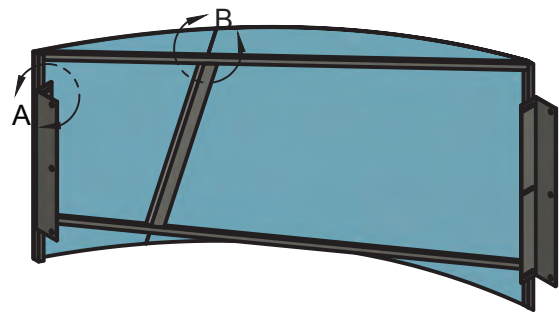
WAVES BY JANET

The history of Fort Point centers around the harbor. It has been the heart of the neighborhood for generations where Bostonians have made their livelihood in the shipping industries. Although the neighborhood continues to change, the ocean remains a constant link to the past. This concept was created by a teen artist in Artists for Humanity's 3D Design Studio

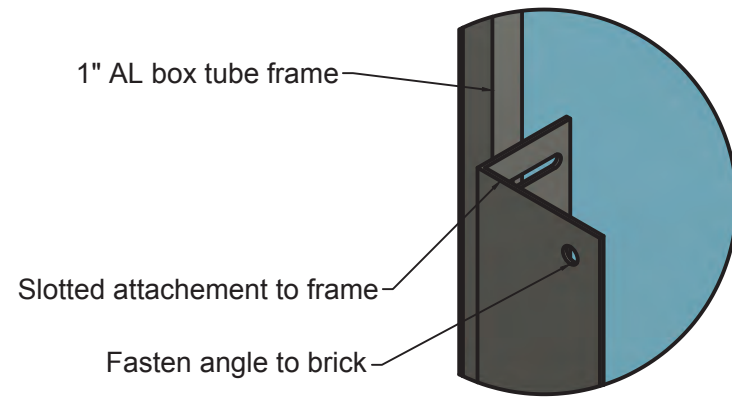


detail view - ground level

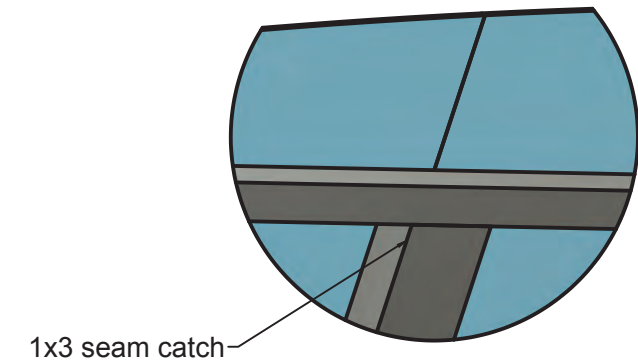




2 - Rear Iso



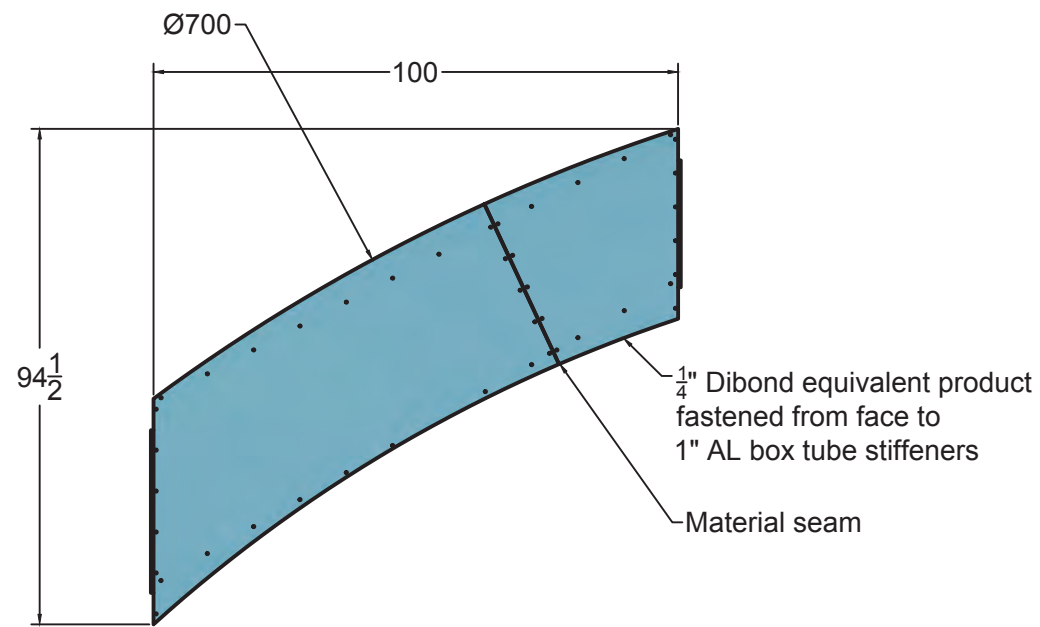
DETAIL A
SCALE 6" = 1'-0"



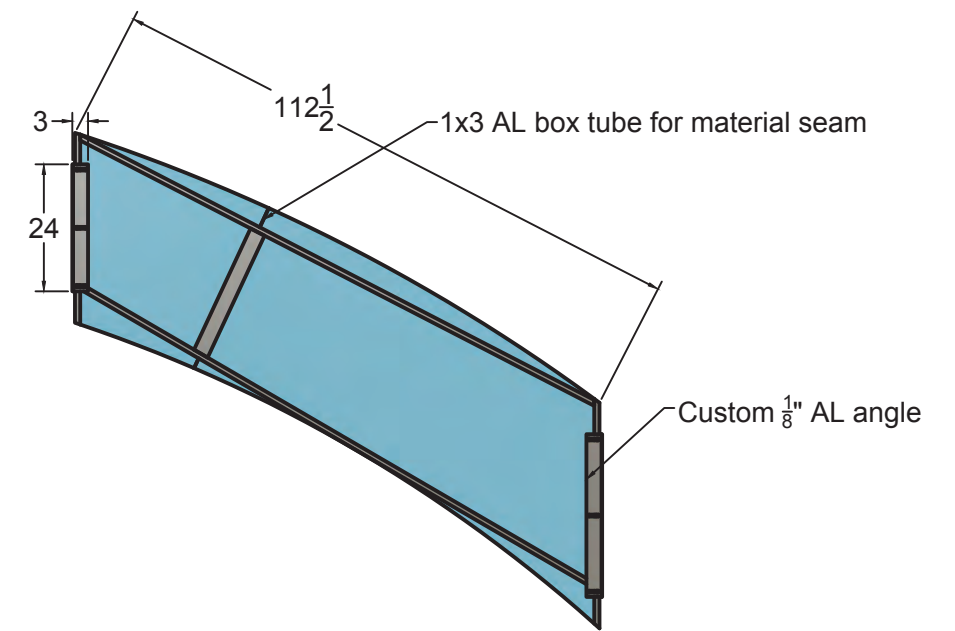
DETAIL B
SCALE 6" = 1'-0"



2 - Top View



1 - Front Elevation



4 - Rear Elevation