

# SIGN SPECIFICATIONS

## DESCRIPTION

1/2" deep fabricated flag sign with mask and painted graphics  
 3/8" aluminum frame,  
 1/2" x 1" aluminum tube frame,  
 .090" aluminum face(s)  
 1/4" aluminum mounting plate

## TYPEFACES

per client supplied vector art file

## COLORS/FINISHES

frame & HDW - ptd black  
 aluminum panels - blackened steel finish  
 copy - mask and painted white

## INSTALLATION

Mechanically fastened to existing masonry with 3/8"-16 hexhead bots and drop-in anchors



LAYOUT: OPTION A (SIDE A)  
 SCALE: QUARTER



LAYOUT: OPTION A (SIDE B)  
 SCALE: QUARTER

This document is owned by and the information contained in it is proprietary to Poblocki Sign Company, LLC. By receipt hereof, the holder agrees not to use the information, disclose it to any third party or reproduce this document without the prior written consent of Poblocki Sign Company, LLC. Holder also agrees to immediately return this document upon request by Poblocki Sign Company, LLC.

This document represents only an approximation of material colors specified. Actual product colors may vary from this print or digital image.

## Project

**The Taj**  
 15 Arlington St  
 Boston, MA

## Scale: Of Shown Graphics

See Individual Layouts/Sections/Elevations

## Notes

## Revisions

REV	DESCRIPTION	BY	DATE

Internal Assignment: Thi X

Drawn By: TMM

Orig. Date: 4.13.20

**B01**

Blade Sign

**87425**

Work Order #:

**B01.1**

Drawing #:

# SIGN SPECIFICATIONS

## DESCRIPTION

1/2" deep fabricated flag sign with mask and painted graphics  
 3/8" aluminum frame,  
 1/2" x 1" aluminum tube frame,  
 .090" aluminum face(s)  
 1/4" aluminum mounting plate

## TYPEFACES

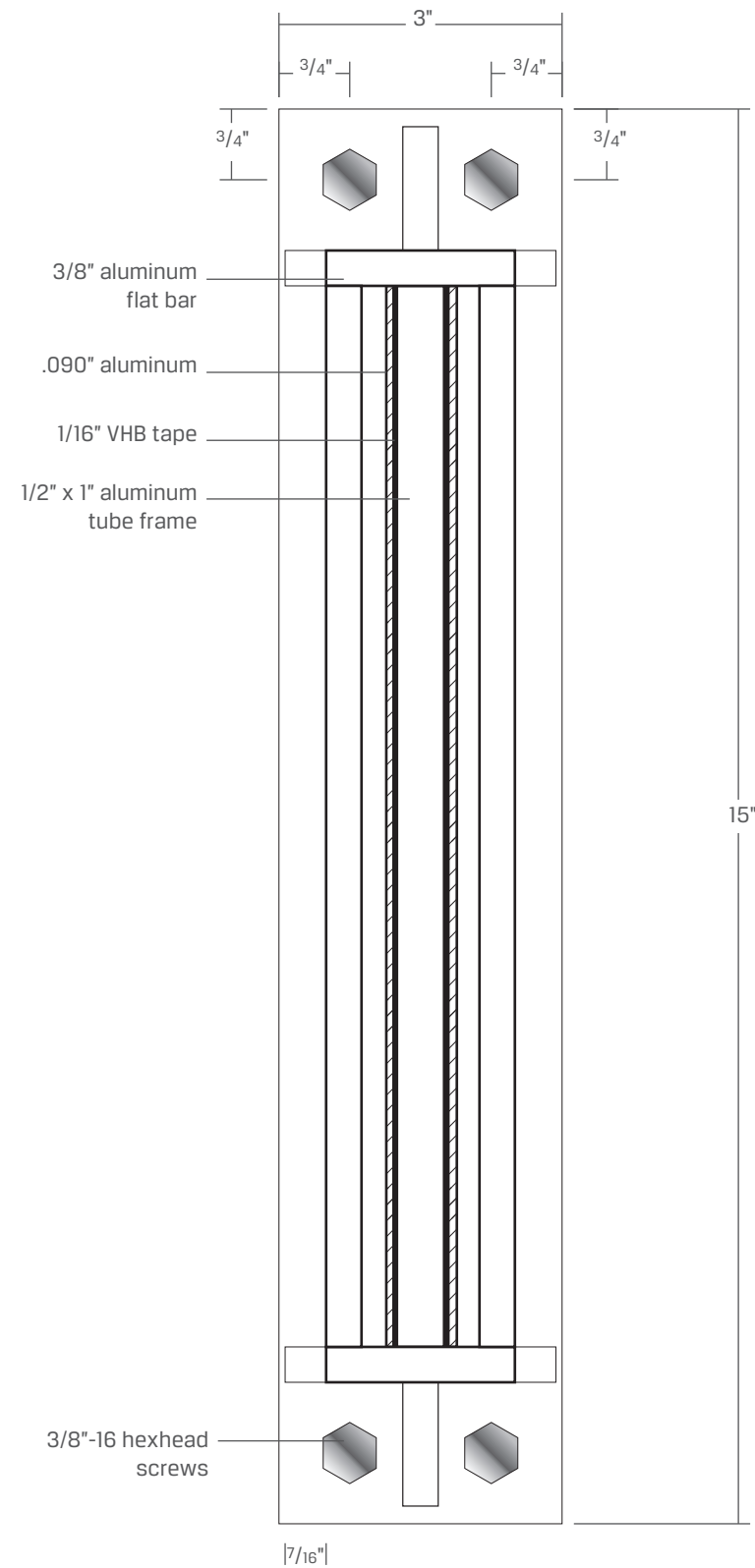
per client supplied vector art file

## COLORS/FINISHES

frame & HDW - ptd black  
 aluminum panels - blackened steel finish  
 copy - mask and painted white

## INSTALLATION

Mechanically fastened to existing masonry with 3/8"-16 hexhead bolts and drop-in anchors



LAYOUT: MOUNTING PLATE  
 SCALE: HALF



ELEVATION  
 SCALE: NTS

This document is owned by and the information contained in it is proprietary to Poblocki Sign Company, LLC. By receipt hereof, the holder agrees not to use the information, disclose it to any third party or reproduce this document without the prior written consent of Poblocki Sign Company, LLC. Holder also agrees to immediately return this document upon request by Poblocki Sign Company, LLC.

This document represents only an approximation of material colors specified. Actual product colors may vary from this print or digital image.

## Project

**The Taj**  
 15 Arlington St  
 Boston, MA

Scale: Of Shown Graphics

See Individual Layouts/Sections/Elevations

## Notes

## Revisions

REV	DESCRIPTION	BY	DATE

Internal Assignment: Thi X

Drawn By: TMM

Orig. Date: 4.13.20

**B01**

Blade Sign

**87425**

Work Order #:

**B01.3**

Drawing #:

# SIGN SPECIFICATIONS

**DESCRIPTION**

1/2" deep fabricated flag sign with mask and painted graphics  
 3/8" aluminum frame,  
 1/2" x 1" aluminum tube frame,  
 .090" aluminum face(s)  
 1/4" aluminum mounting plate

**TYPEFACES**

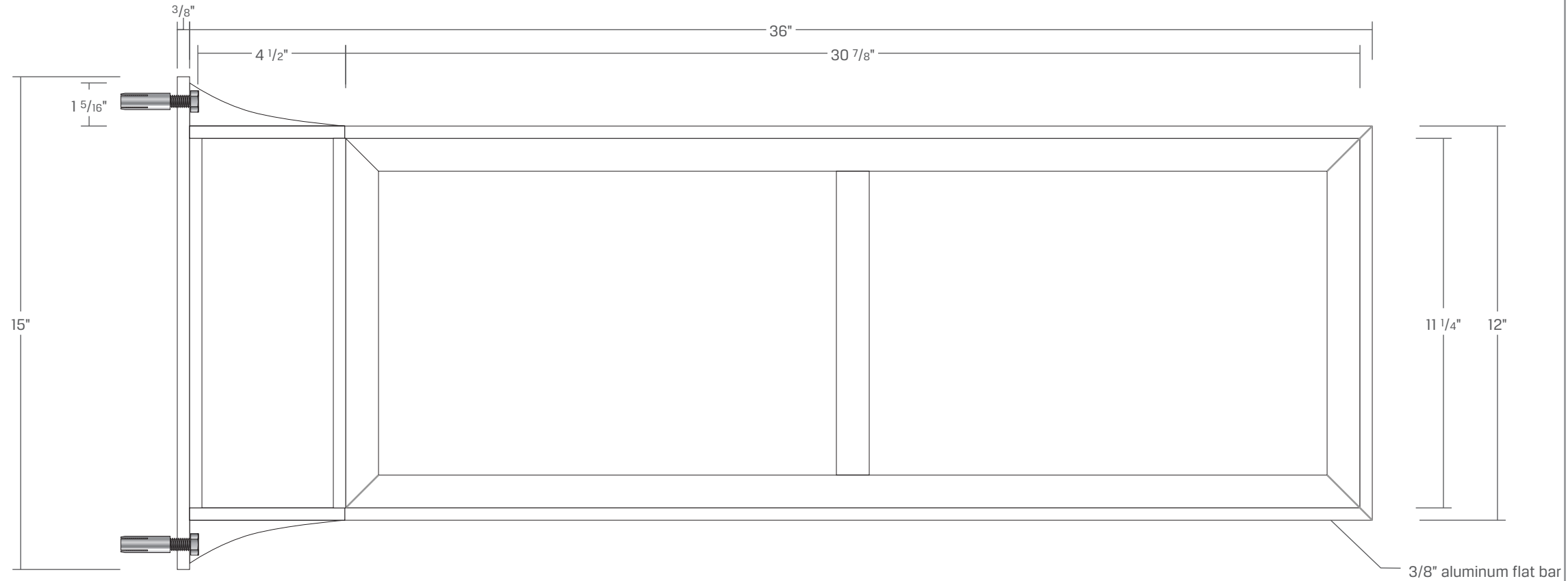
per client supplied vector art file

**COLORS/FINISHES**

frame & HDW - ptd black  
 aluminum panels - blackened steel finish  
 copy - mask and painted white

**INSTALLATION**

Mechanically fastened to existing masonry with 3/8"-16 hexhead bots and drop-in anchors



SECTION  
 SCALE: QUARTER



4 Industrial Park Road, Medway, MA 02053  
 508.533.9000 • www.poblocki.com

This document is owned by and the information contained in it is proprietary to Poblocki Sign Company, LLC. By receipt hereof, the holder agrees not to use the information, disclose it to any third party or reproduce this document without the prior written consent of Poblocki Sign Company, LLC. Holder also agrees to immediately return this document upon request by Poblocki Sign Company, LLC.

This document represents only an approximation of material colors specified. Actual product colors may vary from this print or digital image.

**Project**

**The Taj**  
 15 Arlington St  
 Boston, MA

**Scale: Of Shown Graphics**

See Individual Layouts/Sections/Elevations

**Notes**

**Revisions**

REV	DESCRIPTION	BY	DATE

Internal Assignment: Thi X

Drawn By: TMM

Orig. Date: 4.13.20

**B01**

Blade Sign

**87425**

Work Order #:

**B01.4**

Drawing #:

# SIGN SPECIFICATIONS

## DESCRIPTION

1/2" deep fabricated flag sign with mask and painted graphics  
3/8" aluminum frame,  
1/2" x 1" aluminum tube frame,  
.090" aluminum face(s)  
1/4" aluminum mounting plate

## TYPEFACES

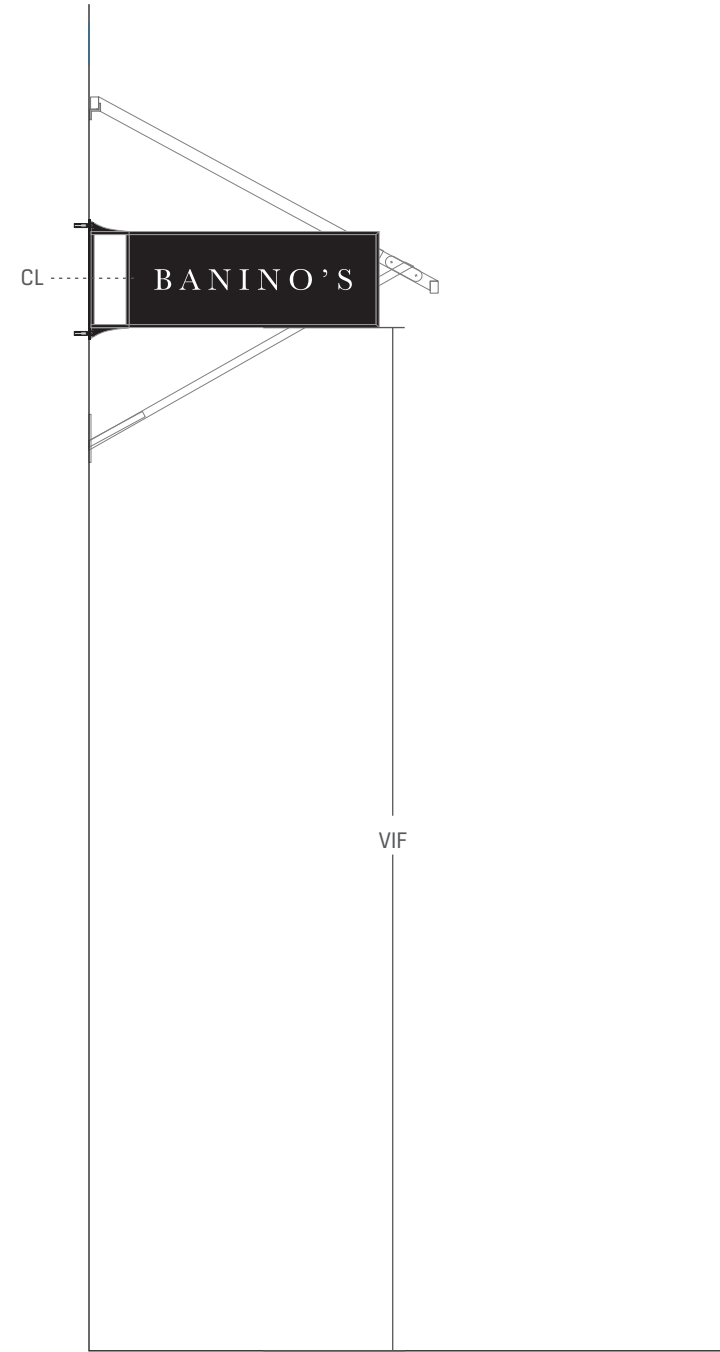
per client supplied vector art file

## COLORS/FINISHES

frame & HDW - ptd black  
aluminum panels - blackened steel finish  
copy - mask and painted white

## INSTALLATION

Mechanically fastened to existing masonry with 3/8"-16 hexhead bolts and drop-in anchors



ELEVATION: OPT. A  
SCALE: 1/4" = 1'-0"

This document is owned by and the information contained in it is proprietary to Poblocki Sign Company, LLC. By receipt hereof, the holder agrees not to use the information, disclose it to any third party or reproduce this document without the prior written consent of Poblocki Sign Company, LLC. Holder also agrees to immediately return this document upon request by Poblocki Sign Company, LLC.

This document represents only an approximation of material colors specified. Actual product colors may vary from this print or digital image.

## Project

**The Taj**  
15 Arlington St  
Boston, MA

Scale: Of Shown Graphics

See Individual Layouts/Sections/Elevations

## Notes

## Revisions

REV	DESCRIPTION	BY	DATE
-----	-------------	----	------

Internal Assignment: Thi X

Drawn By: TMM

Orig. Date: 4.13.20

**B01**

Blade Sign

**87425**

Work Order #:

**B01.5**

Drawing #:

# SIGN SPECIFICATIONS

## DESCRIPTION

1/2" deep fabricated flag sign with mask and painted graphics  
3/8" aluminum frame,  
1/2" x 1" aluminum tube frame,  
.090" aluminum face(s)  
1/4" aluminum mounting plate

## TYPEFACES

per client supplied vector art file

## COLORS/FINISHES

frame & HDW - ptd black  
aluminum panels - blackened steel finish  
copy - mask and painted white

## INSTALLATION

Mechanically fastened to existing masonry with 3/8"-16 hexhead bolts and drop-in anchors



ELEVATION:  
SCALE: NTS

This document is owned by and the information contained in it is proprietary to Poblocki Sign Company, LLC. By receipt hereof, the holder agrees not to use the information, disclose it to any third party or reproduce this document without the prior written consent of Poblocki Sign Company, LLC. Holder also agrees to immediately return this document upon request by Poblocki Sign Company, LLC.

This document represents only an approximation of material colors specified. Actual product colors may vary from this print or digital image.

## Project

**The Taj**  
15 Arlington St  
Boston, MA

Scale: Of Shown Graphics

See Individual Layouts/Sections/Elevations

## Notes

## Revisions

REV	DESCRIPTION	BY	DATE
-----	-------------	----	------

Internal Assignment: Thi X

Drawn By: TMM

Orig. Date: 4.13.20

**B01**

Blade Sign

**87425**

Work Order #:

**B01.6**

Drawing #:

**BANINO'S**

EXTERIOR SIGNAGE

**KEN FULK**



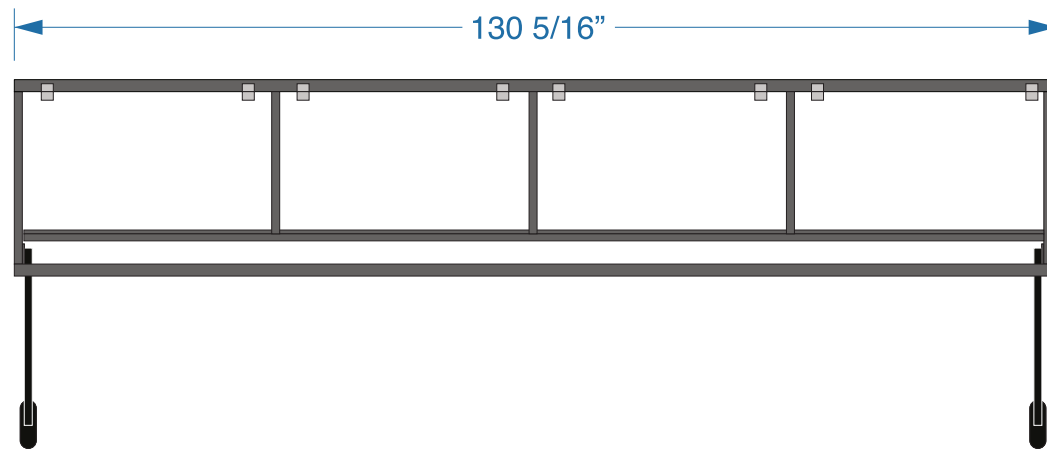




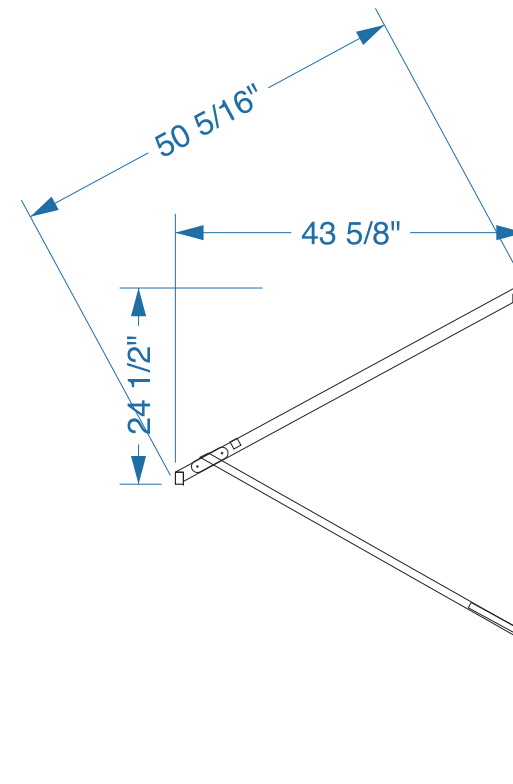


**Bluebird**  
graphic solutions

17 Everberg Road, Unit E  
Woburn, MA 01801  
info@bluebirdgs.com  
617.250.8500



**A** Elevation  
Scale: 1/2" = 1'-0"



**B** Elevation Frame  
Scale: 1/4" = 1'-0"

**C** Side Elevation Frame  
Scale: 1/4" = 1'-0"

**CLIENT**  
TAJ HOTEL

**ADDRESS**  
15 ARLINGTON ST  
BOSTON, MA 02116

**PROJECT**  
REPLACE CANOPY & AWNING

**JOB #**  
PROJ-5002057

**ENGINEER STAMP**

**SUBMISSION DATE**  
DD MMM YY

**REVISED**  
DD MMM YY

**APPROVED**  
DD MMM YY

**NOT FOR PRODUCTION**

DRAWN BY: IDW

SIGN TYPE <b>G</b>	DRAWING
-----------------------	---------

Awning Type H  
Qty 2



SUNBRELLA SLATE