

EXISTING ROOF DECK LOOKING EAST



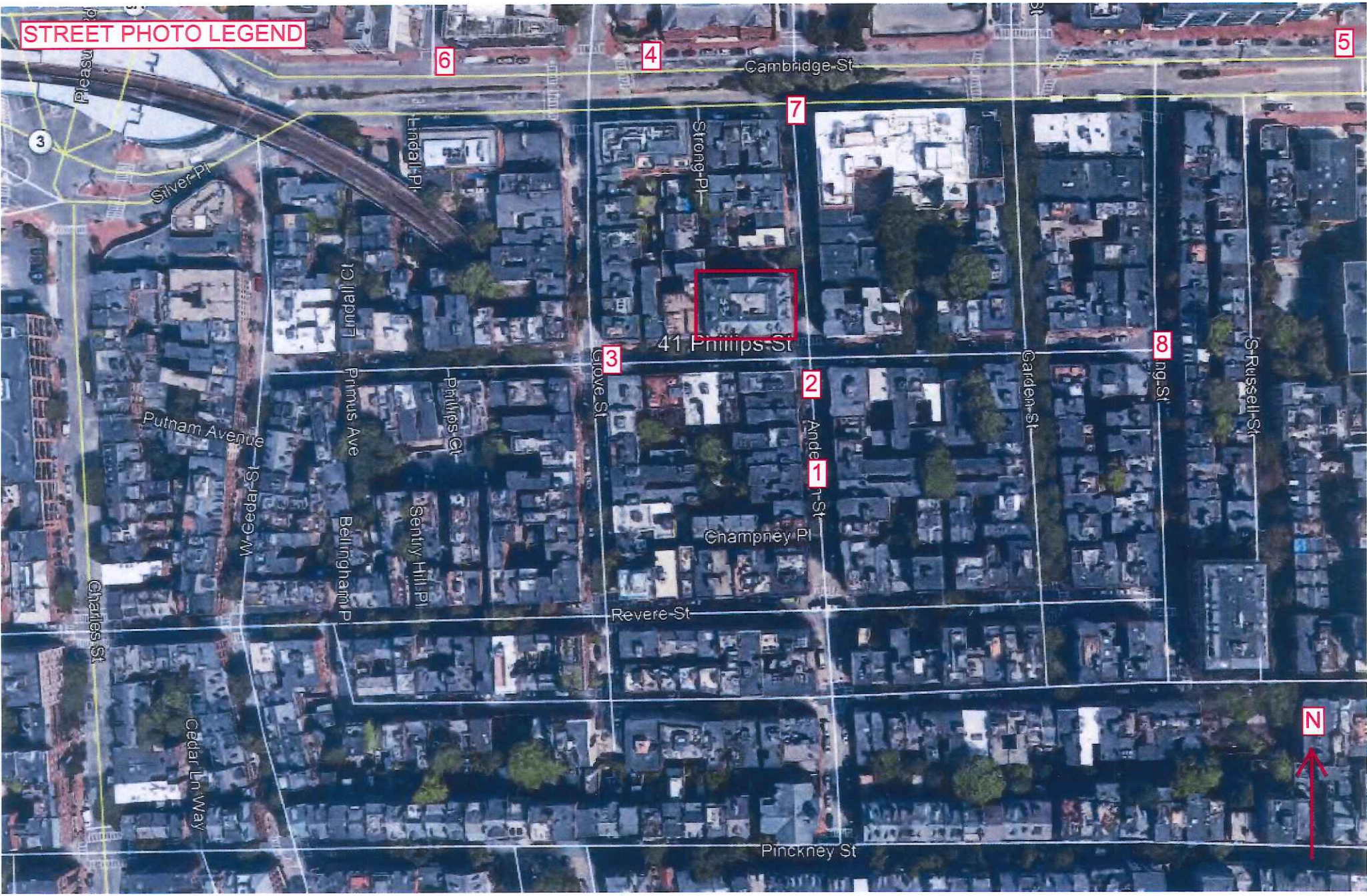
EXISTING ROOF DECK LOOKING SOUTH



EXISTING ROOF DECK LOOKING WEST



STREET PHOTO LEGEND



6

4

5

3

7

41 Phillips St

3

2

8

N

Cambridge St

Silver Pl

Hindall Pl

Strong Pl

1st Pl

Primus Ave

Phillips Ct

Putnam Avenue

W Cedar St

Charles St

Cedar Ln Way

Bellingham Pl

Sentry Hill Pl

Champney Pl

Revere St

2nd St

Garden St

8th St

S Russell St

Pinckney St

PHOTO #1



EXISTING RAILING

Beacon Hill
Resident
Permit
Parking
Only

Street Cleaning
7:00 - 9:00 Monday
7:00 - 9:00 Tuesday
8:00 - 10:00
Tow Zone

PHOTO #2

TOP OF EXISTING
ELEV. HEAD HOUSE



PHOTO #3

TOP OF EXISTING
ELEV. HEAD HOUSE



PHOTO #4



EXISTING RAILING
BEYOND



PHOTO #6

EXISTING RAILING
BEYOND



PHOTO #7

EXISTING RAILING



PHOTO #8



EXISTING RAILING BEYOND

TOW ZONE
NO STOPPING ANY TIME
↔

NO STOPPING ANY TIME

STOP

NO PARKING

Kingsman Fire Bowl

Item#: 3580628 [f](#) [p](#) [s](#) [w](#) [m](#) [v](#)

Overview Specs Warranty Q&A Reviews

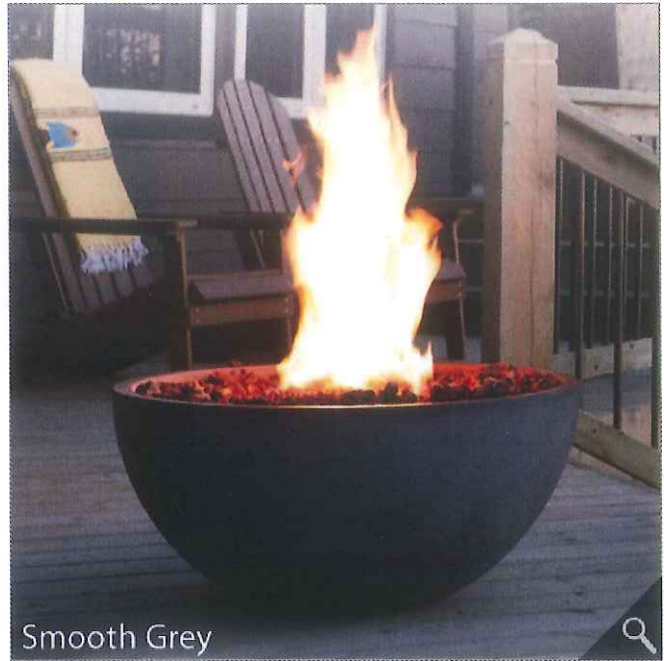
The **Kingsman Fire Bowl** is crafted from hand cast concrete, a beautiful low-maintenance material that provides **incredible strength and durability**. The textured black or smooth grey finish is beautiful and will blend with any outdoor decor.



Features:

- Dimensions: 30" D x 14" H
- Cast concrete construction
- Can be set on wood deck or patio
- Ultimate in design, engineering and quality

This **Kingsman Fire Bowl** includes leg extensions, filler strip, key way valve and lava rock. The fire pit burner that is included has been tested with the burner to use lava rock media at 65,000 BTUs.



Smooth Grey



Owner's Manual

CERTIFIED SPECIALISTS

WOODLAND DIFFERENCE

SHIPPING INFORMATION

Special Order | Ships Within: 3 to 4 Weeks
FREE Shipping - Freight

Starting At: \$1,712.70

Qty: [Add To Cart](#)

Rating: 5 out of 5

Build Your Kingsman Fire Bowl



Required

Select your Fire Bowl Finish Color

- Fire Bowl is constructed of cast concrete
- Choose between black or grey

Item #: 358FPColor

Price: \$0.00

*Select Finish



Required

Select Fuel Type

- Select fuel type
- Unit can use natural gas or propane

Item #: 358FuelType

Price: \$0.00

*Select Your Fuel Type:



Option

Kingsman Fire Pit Log Set

- Add these logs to your fire bowl
- 4-piece log set
- Cast oak construction/design

Item #: 3580633

Price: \$191.70

[Add Item](#)



Option

Kingsman Fire Pit Bowl Cover - Charcoal

- Protect your outdoor fire pit from the elements
- Fits a 30" fire bowl
- Designed for Kingsman fire pit bowl

Item #: 3580626

Price: \$175.50

[Add Item](#)

Paint Colors

Black

2132-10

Benjamin Moore Black 2132-10:

For existing roof deck railing system at 41 Phillips St. - Unit 17-18

Style #69719
lyon

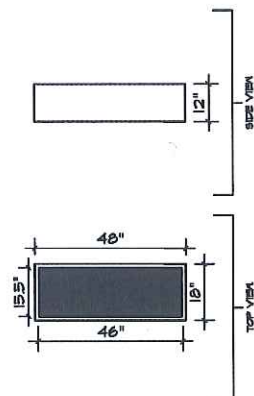
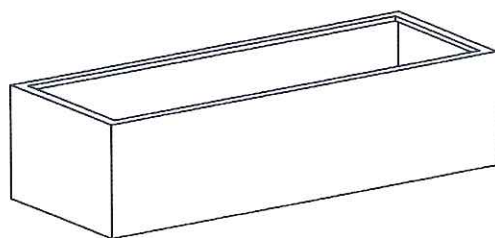


MATTE BLACK FINISH



Designs that embody style, form and function.

Style #69719 lyon



Weights:
69719 22 lbs

Exterior Dimension
48" x 18" x 12"

FLOOR MOUNTED

Interior dimensions:
46" x 15.5" x 12"

Lip:
L 2.5"

42" x 8" x 8"

RAILING MOUNTED

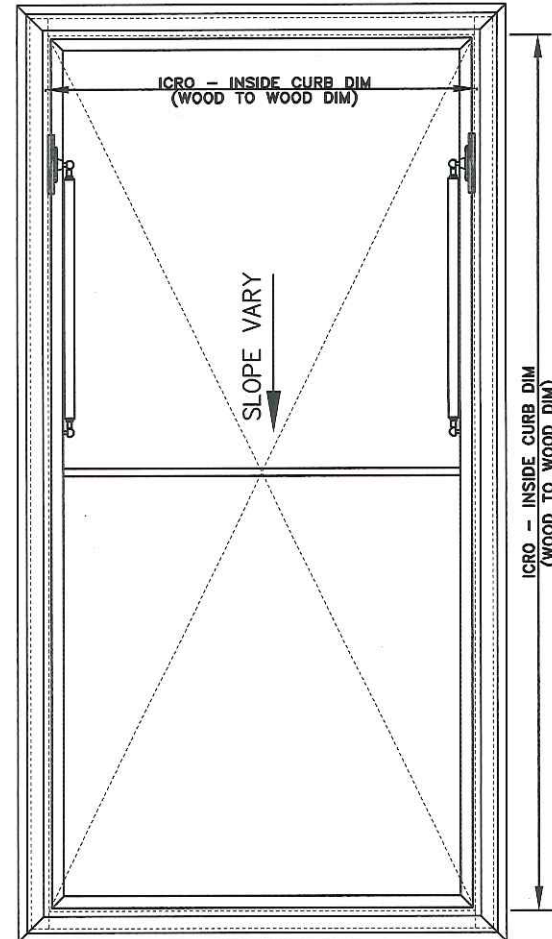
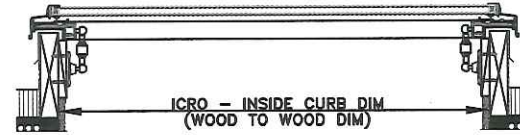
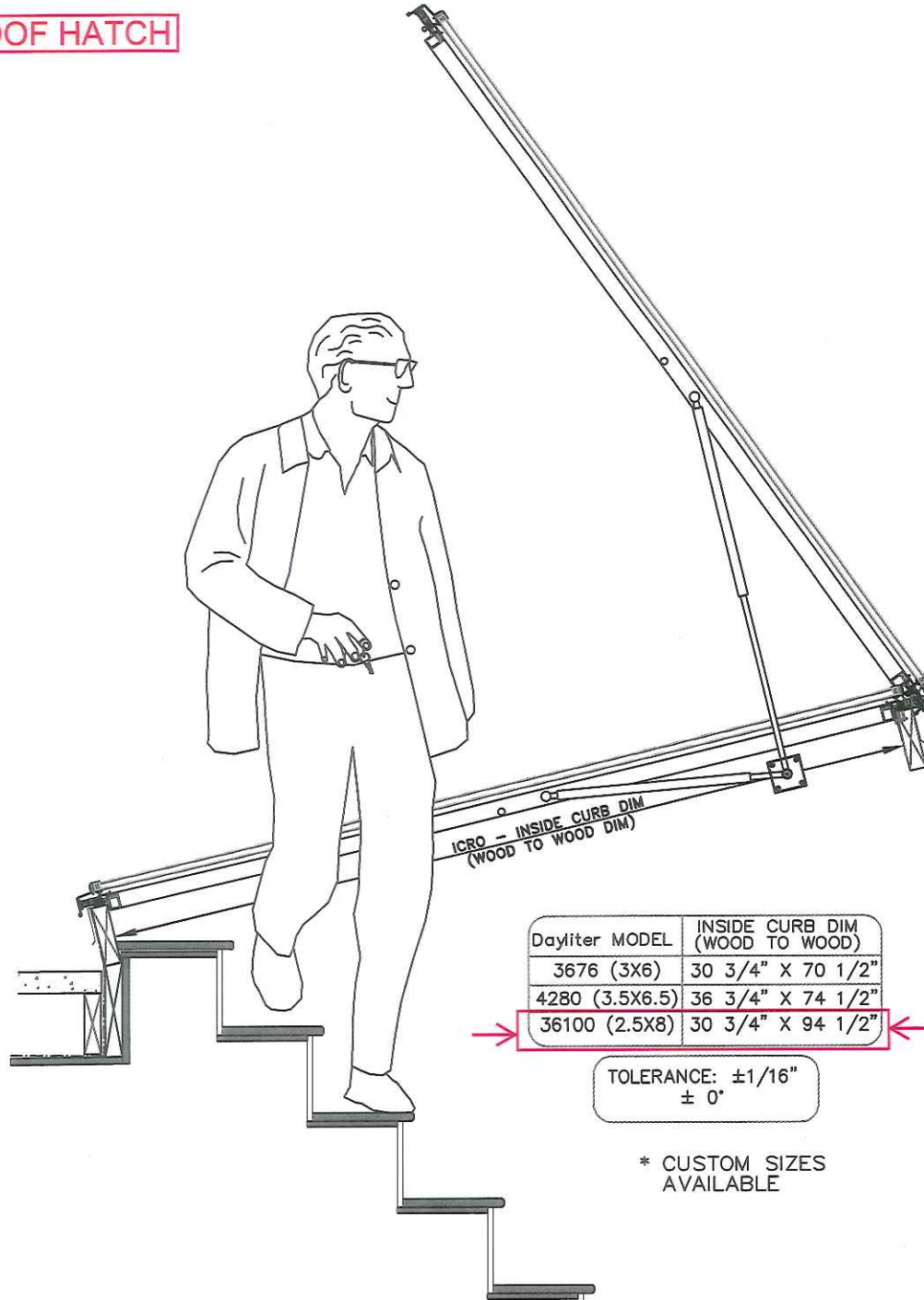
Please note that the sizes may vary by up to 2% of noted dimensions and weights are approximations.



Jay Scotts offers 16 standard colors and has the ability to custom match over 3,000 colors. Call us today for more information and pricing.

Jay Scotts Collection | 410 SW 4th Terrace | Dania Beach, FL 33004 | Tel: 954-922-3939 | Web: www.jayscotts.com
Committed to "EXCELLENCE" as your Global Source for Design Innovation.

ROOF HATCH



Dayliter MODEL	INSIDE CURB DIM (WOOD TO WOOD)
3676 (3X6)	30 3/4" X 70 1/2"
4280 (3.5X6.5)	36 3/4" X 74 1/2"
36100 (2.5X8)	30 3/4" X 94 1/2"

TOLERANCE: $\pm 1/16"$
 $\pm 0"$

* CUSTOM SIZES
AVAILABLE

K.E. VENT - PAINTED BLACK

VENTILATOR, TURBINE, 6IN

EMPIRE | Zoro #: G1176917 | Mfr #: TV06G

1 Review | Write a Review

Rated



In stock

\$63.35 /EA

qty 1

Item ships from Zoro in 1 business day.

Add to Cart

DETAILS:

Item: Turbine Ventilator

Overall Width (In.): 12-3/4

Overall Height (In.): 14-1/2

This item ships **FREE**. Details.
Standard ground shipping.

[View Full Product Details](#)

SAVE 15%*
Sign up for Z-mail



Specifications

Description

Reviews

ZORO CUSTOMERS ALSO BOUGHT

BUILT IN GRILL

STANDARD FEATURES

 HESTAN

BUILT-IN GRILLS

- Available in 30", 36", and 42" widths
- Horizon™ hood with spring-assisted hinges to hold at desired heights*
- Motion activated Stadium™ halogen under-hood lighting*
- Multi-purpose built-in ceramic infrared rotisserie / searing / finishing burner* from 12,000 to 18,000 Btu/hour (depending on model) with simple touch on function
- High performance 321SS Trellis™ tubular burner at 25,000 Btu/hour each*
- 5/16" thick DiamondCut™ lasered in-house stainless steel grate*

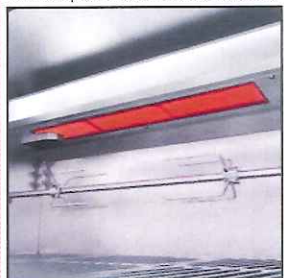
Laser Cut Stainless Steel Grate - 5/16" thick



Under-Hood Lighting



Multi-Purpose Ceramic Infrared Rotisserie



- High performance variable ceramic infrared sear burner at 25,000 Btu/hour each
- Symmetrical flip to clean radiant tray with monogrammed ceramic briquettes*
- 525 square inch total grilling surface for 30" model. 653 square inch total grilling surface for 36" model. 782 square inch total grilling surface for 42" model.
- Warming rack - 189 square inches for the 30", 236 square inches for the 36" and 282 square inches for the 42" unit.
- Concealed chain driven whisper quiet rotisserie motor system with a single speed, 6 rpm, 50 in-lbs motor
- Marquise™ accented control panel and hood handle with commercial grade end caps
- 5/16" thick DiamondCut™ lasered in-house stainless steel warming rack with 3 vertical positions. Concealed storage when not in use.
- Hot surface ignition system with lighting assist function
- Lifetime warranty on welded body, DiamondCut™ grates and warming racks, Trellis™ burners, variable sear burners, and rotisserie burner
- Infinite position monogrammed removable smoker and handle for wood chips or smoker pellets
- Heavy gauge welded body construction
- LED front control panel lighting with simple touch on function
- Monogrammed temperature gauge with cooking zone markings
- Stainless steel removable drip tray for ease of cleaning
- Zamak die-cast knobs, burner indicators and bezels
- Porcelain broiling pan with stainless steel rotisserie spit and forks

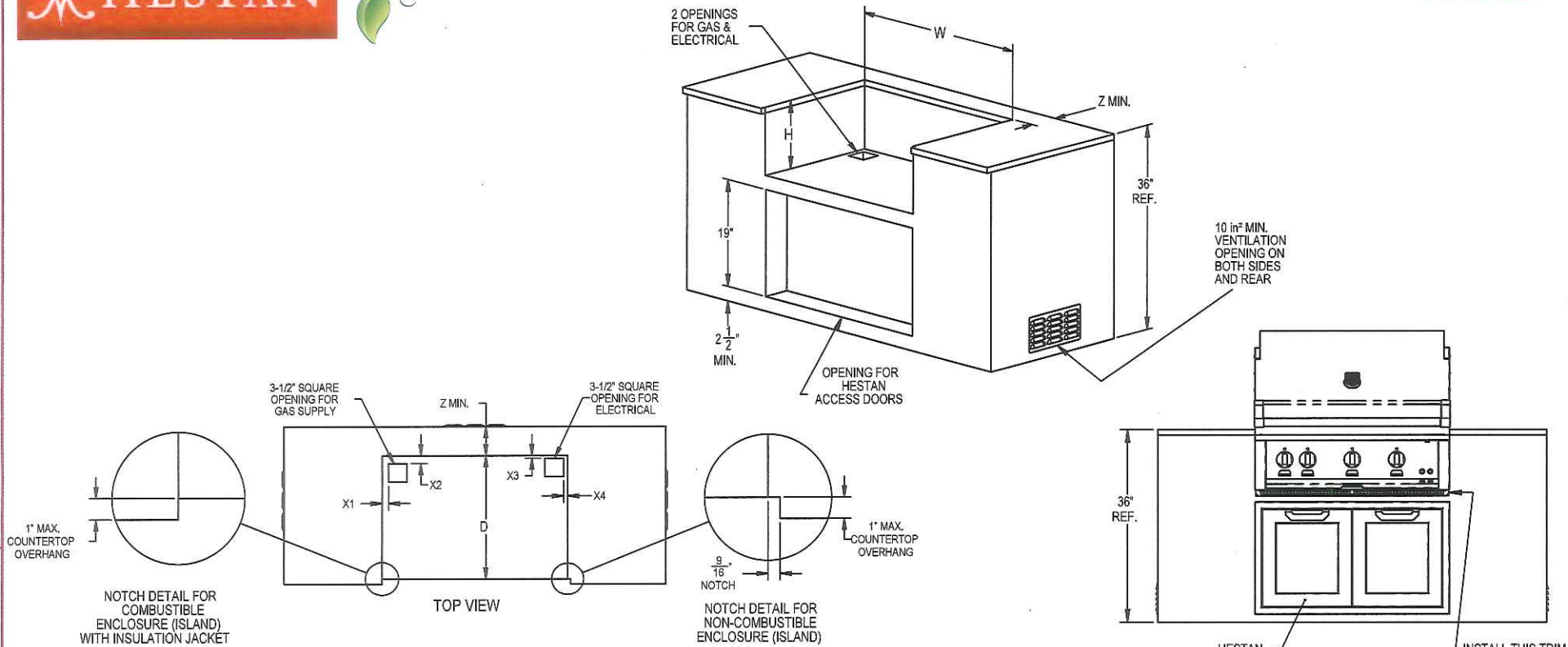


36" Model Shown

OPTIONS & ACCESSORIES

- Natural Gas (NG) or Liquid Propane (LP)
- Twelve (12) Hestan signature color finishes
- High altitude kit
- Gas conversion kits (NG/LP)
- Carbon Fiber Vinyl Cover

* = patent pending



INSULATED JACKETS

Model Number	Description	W (in.)	D (in.)	H (in.)	X1 (in.)	X2 (in.)	X3 (in.)	X4 (in.)	Z (in.)
AGI 30	Insulated Jacket, 30"	35	25- ³ / ₈	12- ¹³ / ₁₆	4- ³ / ₁₆	3- ¹ / ₈	1- ¹ / ₂	3- ¹³ / ₁₆	3- ⁷ / ₈
AGI 36	Insulated Jacket, 36"	41	25- ³ / ₈	12- ¹³ / ₁₆	4- ³ / ₁₆	3- ¹ / ₈	1- ¹ / ₂	3- ¹³ / ₁₆	3- ⁷ / ₈
AGI 42	Insulated Jacket, 42"	47	25- ³ / ₈	12- ¹³ / ₁₆	4- ³ / ₁₆	3- ¹ / ₈	1- ¹ / ₂	3- ¹³ / ₁₆	3- ⁷ / ₈

GAS REQUIREMENTS : 1/2" NPT gas connection. Minimum gas supply is 7" water column for natural gas and 11" for propane. Operating pressure at the manifold is 4" water column for natural gas and 10" for propane. All units require a regulated gas supply.

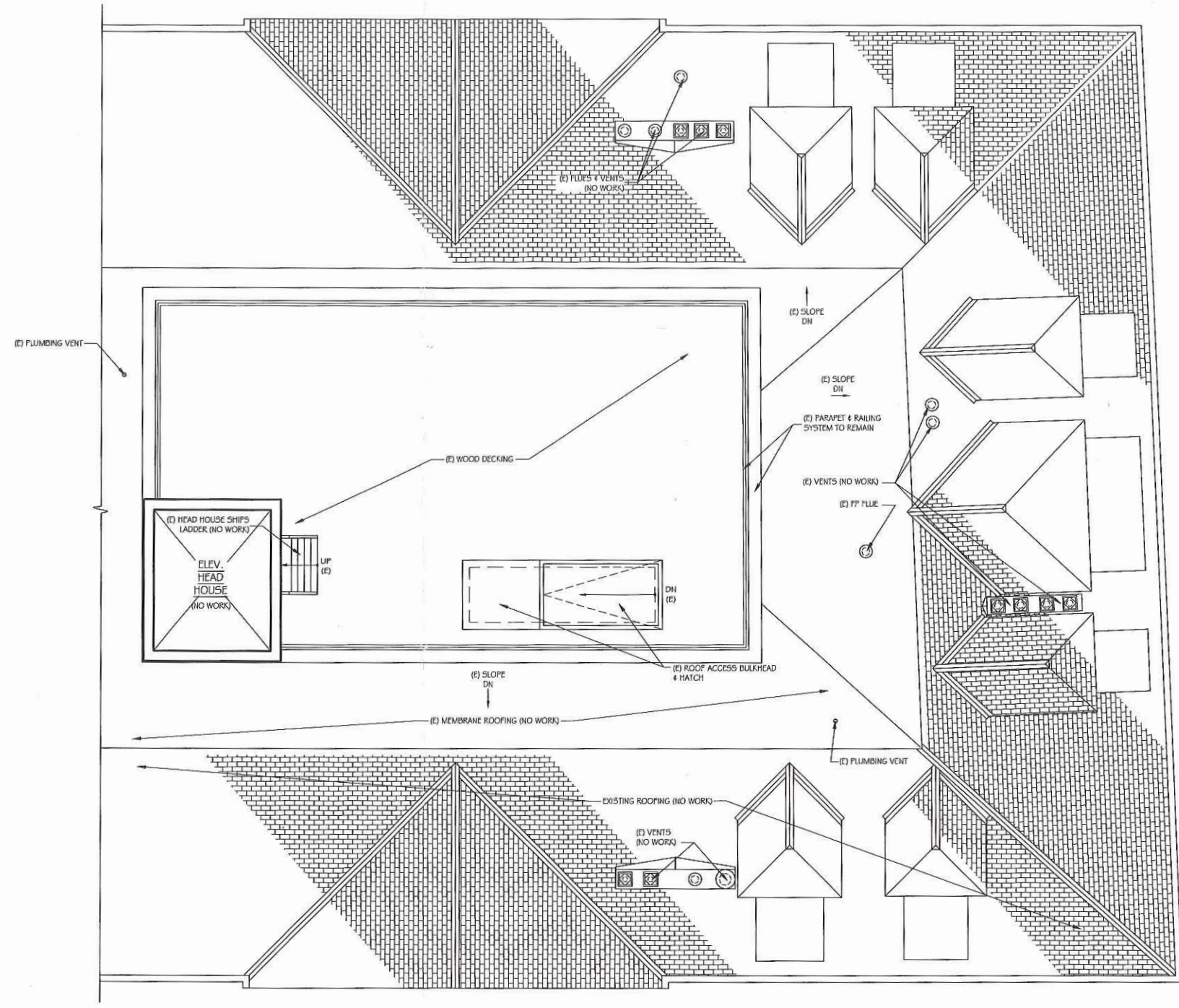
ELECTRICAL REQUIREMENTS : 120V, 60Hz, 6 amps



Hestan Outdoor products are approved for outdoor use only. Hestan Commercial Corporation reserves the right to change materials and specifications without notice. Specify type of gas when ordering.

Built - In Models	Description	Cutout Dimensions								Total Btu's
		W (in.)	D (in.)	H (in.)	X1 (in.)	X2 (in.)	X3 (in.)	X4 (in.)	Z (in.)	
G_BR30-NG / -LP	30" Grill Built-in	29	23- ¹ / ₂	12	1- ³ / ₁₆	1- ¹ / ₂	1/4	13/16	5- ¹ / ₂	62000
G_BR36-NG / -LP	36" Grill Built-in	35	23- ¹ / ₂	12	1- ³ / ₁₆	1- ¹ / ₂	1/4	13/16	5- ¹ / ₂	89000
G_BR42-NG / -LP	42" Grill Built-in	41	23- ¹ / ₂	12	1- ³ / ₁₆	1- ¹ / ₂	1/4	13/16	5- ¹ / ₂	118000

_ = specify burner configuration A = all Trellis Burners M = Sear and Trellis Burners S = all Sear Burners



EXISTING ROOF DECK PLAN
 $\frac{1}{4}'' = 1'-0''$

46 Wabham Street, Suite 3A
 Boston, MA 02118
 Phone 617-956-9992
 Fax 917-556-9993

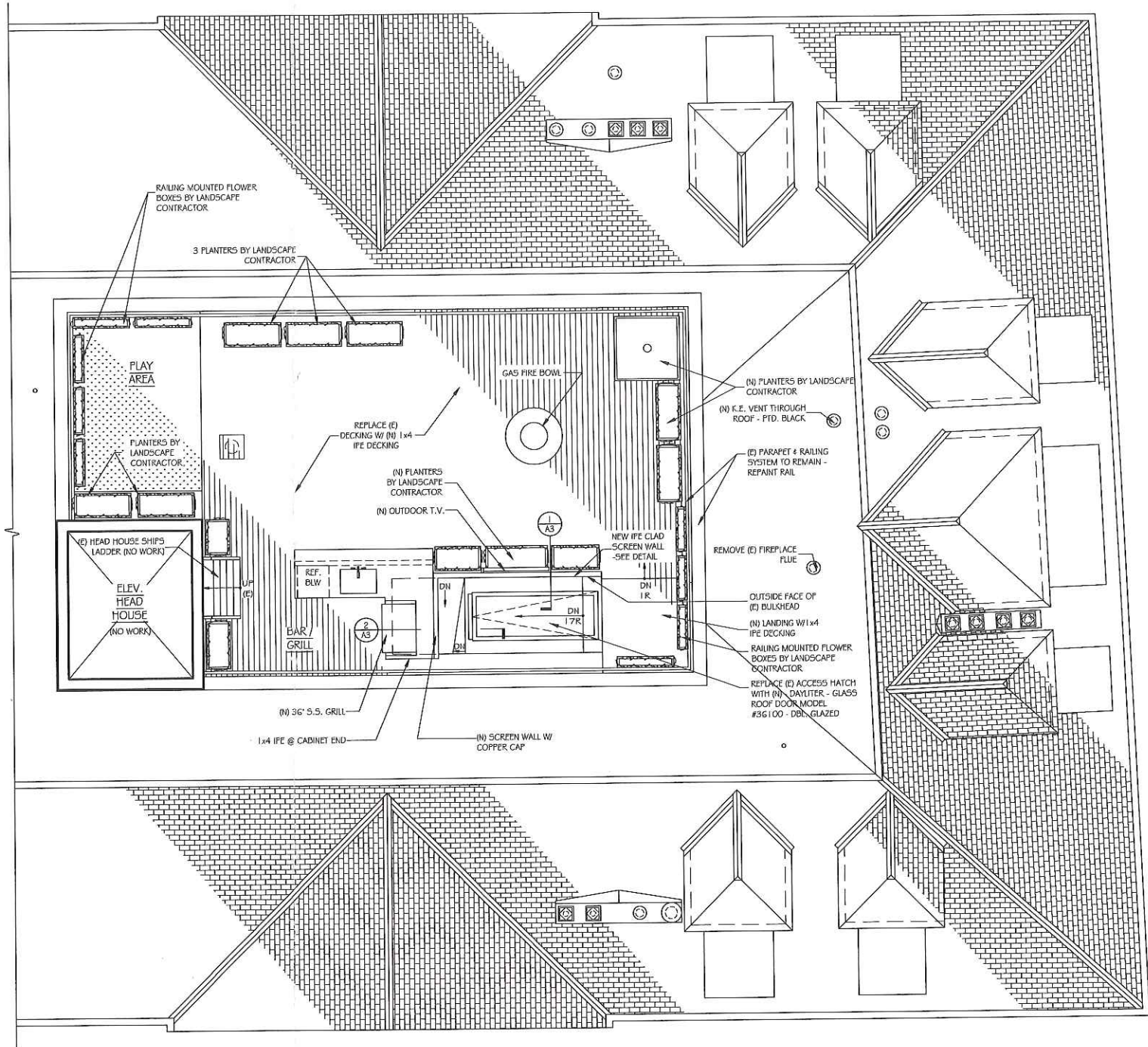
GD GRASSI DESIGN GROUP
BIG BEAUCHEMIN GRASSI INTERIORS

JOB NO: 1910
 SCALE: 1/4"=1'-0"
 DATE: 1.20.20
 REVISED

LING RESIDENCE
 UNIT 7-18 41 PHILLIPS ST BOSTON, MA 02114

**EXISTING ROOF DECK
 FLOOR PLAN**

A1



PROPOSED ROOF DECK PLAN
 1/4" = 1'-0"



46 Waltham Street, Suite 3A
 Boston, MA 02118
 Phone 617-556-9992
 Fax 917-556-9993

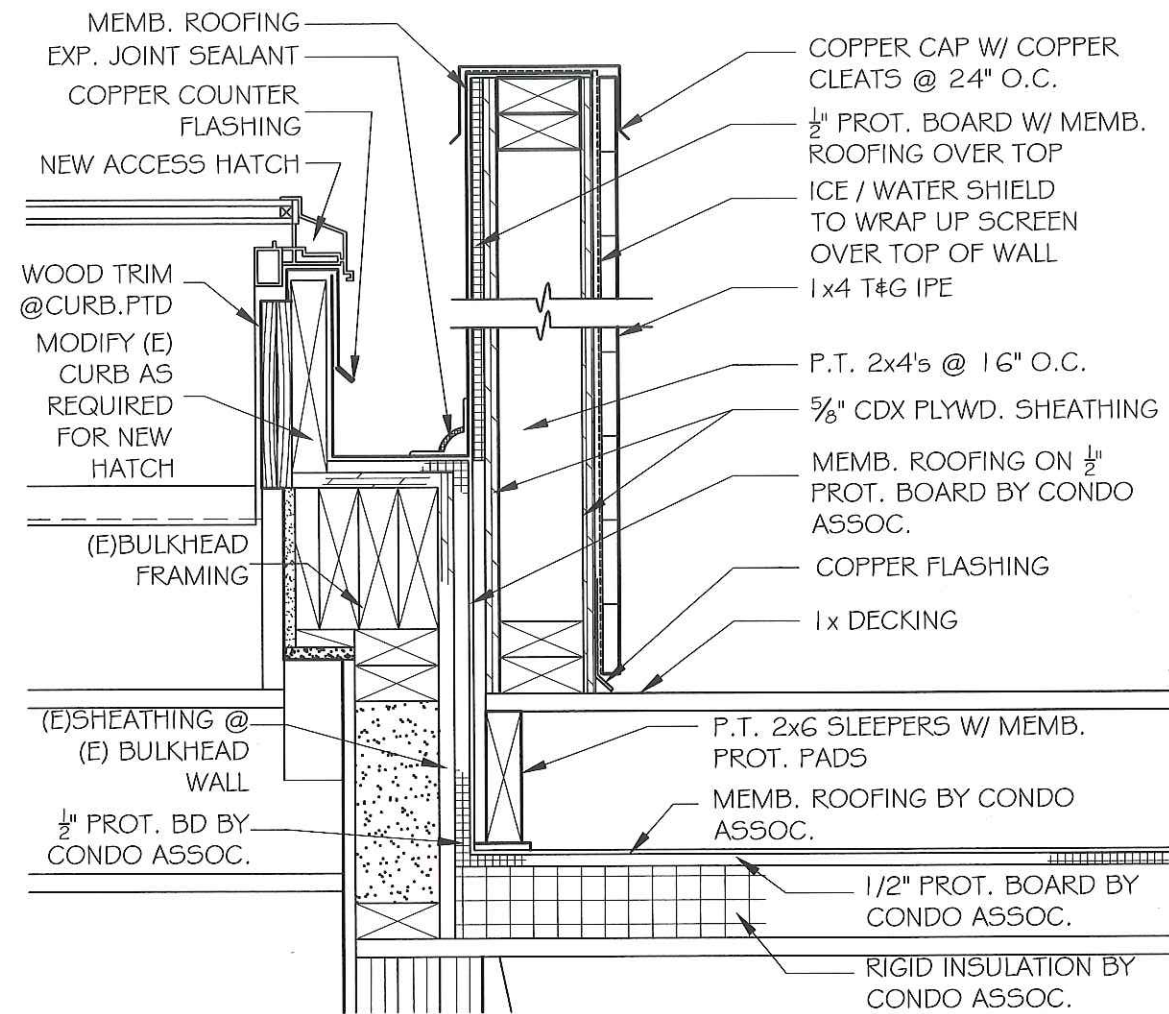
GID GRASSI DESIGN GROUP
BG BEAUCHEMIN GRASSI INTERIORS

JOB NO: 1910
 SCALE: 1/4"=1'-0"
 DATE: 1.20.20
 REVISIONS

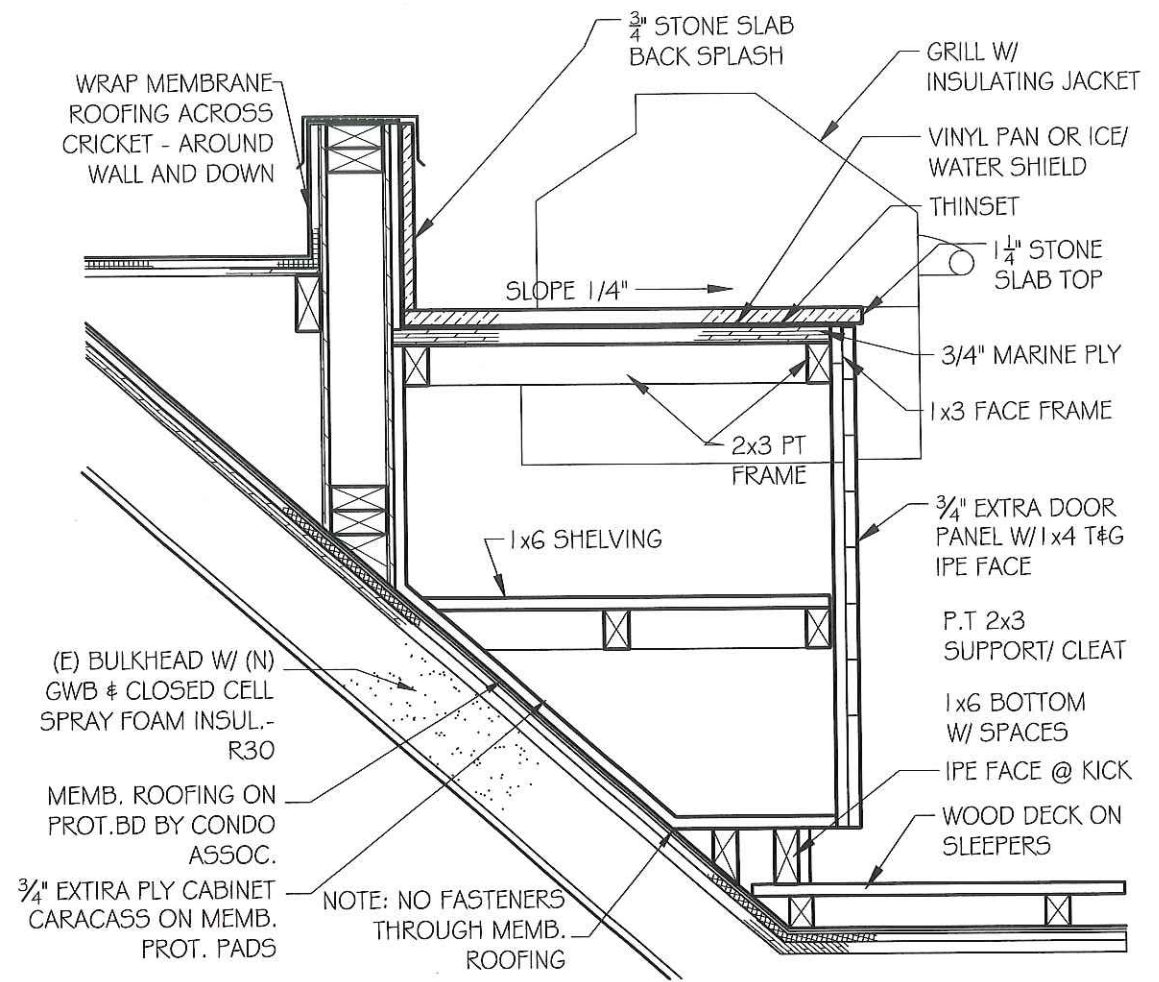
LING RESIDENCE
 UNIT 17-18 41 PHILLIPS ST BOSTON, MA 02114

**PROPOSED ROOF DECK
 FLOOR PLAN**

A2



1 SCREEN WALL DETAIL @ ROOF ACCESS HATCH 1 1/2" = 1'-0"



2 BUILT IN CABINET @ ROOF DECK GRILL 1" = 1'-0"

JOB NO: 1910 SCALE: AS NOTED DATE: 1.20.20

SCREEN WALL & EXTERIOR CABINET DETAILS

GD GRASSI DESIGN GROUP 46 Waltham Street, Suite 3A Boston, MA 02118 Phone 617-956-9992 Fax 917-956-9993
BG BEAUCHEMIN GRASSI INTERIORS

LING RESIDENCE
 UNIT 17-18 @ 41 PHILLIPS STREET BOSTON, MA 02114

A3