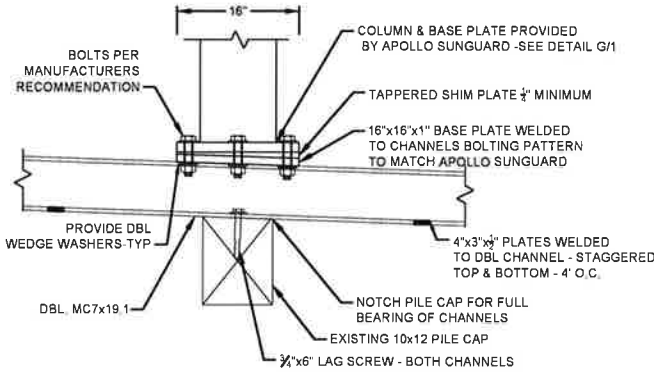
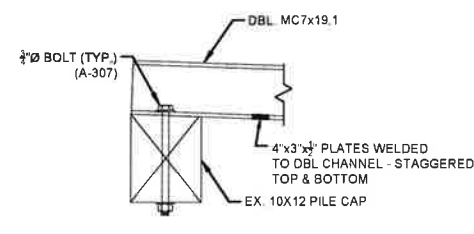


**(A) PROPOSED PLAN**  
SCALE: 1" = 20'-0"



**(C) CONNECTION DETAIL**  
SCALE: 1" = 1'-0"

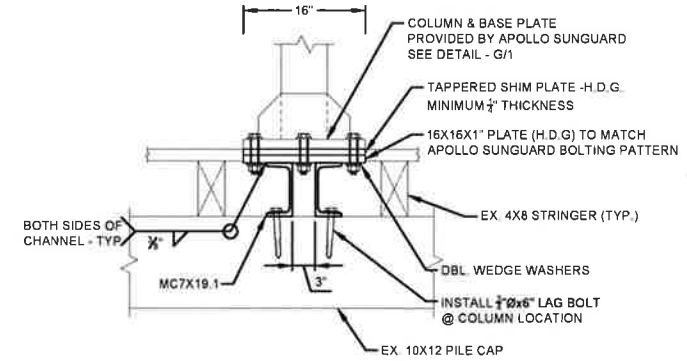


**(D) END CONNECTION DETAIL**  
SCALE: 1" = 1'-0"

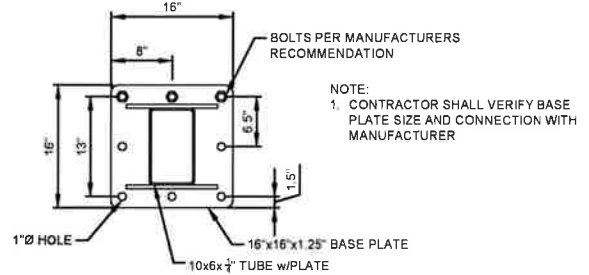


SCALE: 1" = 4,000'

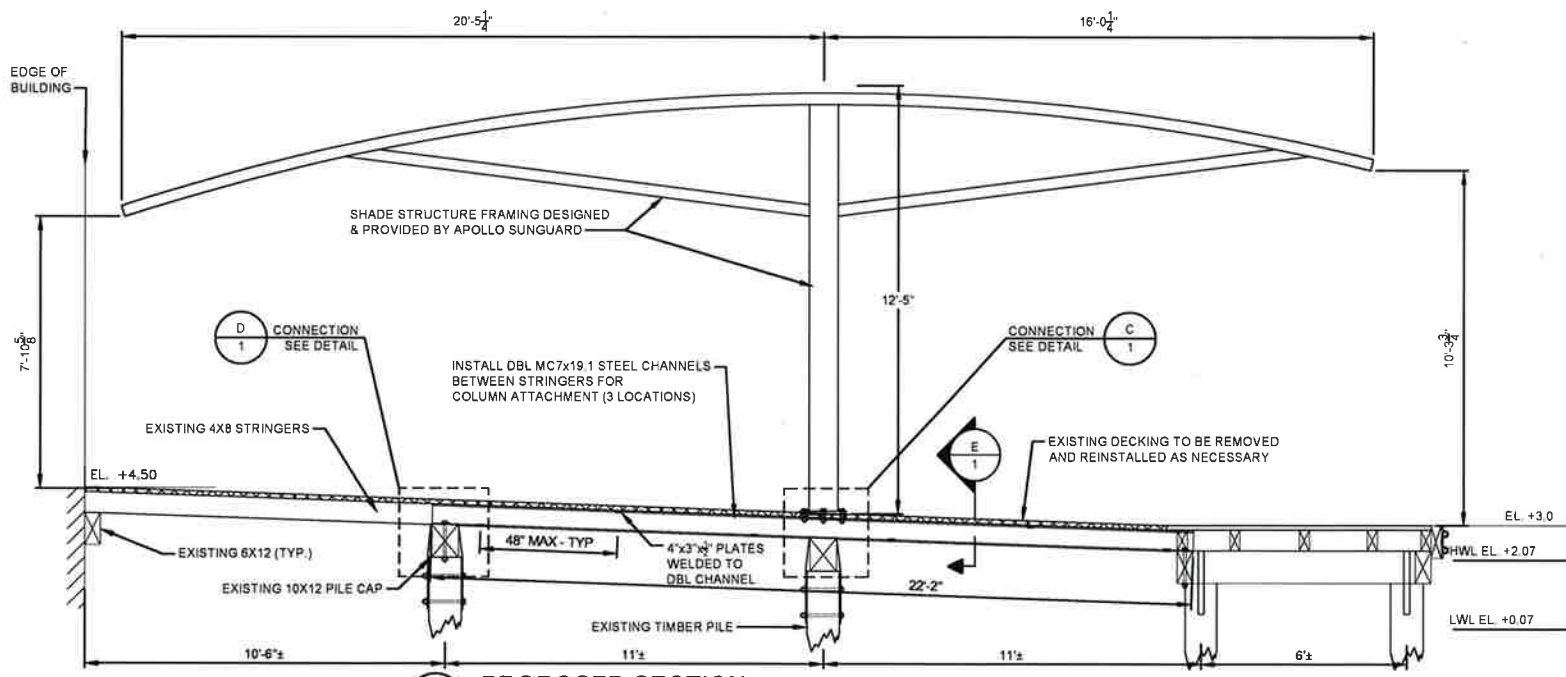
LOCUS PLAN



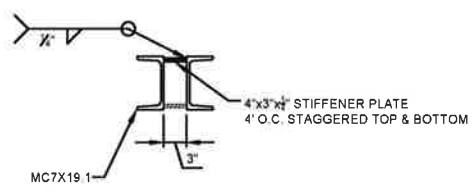
**(E) CONNECTION SECTION**  
SCALE: 1" = 1'-0"



**(G) APOLLO SUNGUARD BASE PLATE**  
SCALE: 1" = 1'-0"

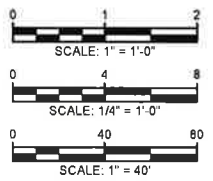


**(B) PROPOSED SECTION**  
SCALE: 1/4" = 1'-0"



**(F) STIFFENER PLATE - DETAIL**  
SCALE: 1" = 1'-0"

- NOTES:
- CONTRACTOR SHALL FIELD VERIFY LAYOUT, STRINGER AND PILE CAP ALIGNMENT FOR COLUMN ATTACHMENT LOCATION
  - CONTRACTOR WILL BE RESPONSIBLE FOR REMOVAL AND REINSTALLATION OF DECKING AS NECESSARY TO INSTALL CONNECTIONS
  - CONTRACTOR TO CONFIRM FASTENERS SHALL MATCH EXISTING STAINLESS STEEL TORX HEAD OR SQUARE DRIVE SCREWS. (3-4" S.S. SCREWS PER DECK PLANK)
  - ROLLED SHAPES & MISCELLANEOUS STEEL SHALL MEET ASTM A-572 GRADE 50 AND BE HOT DIPPED GALVANIZED (H.D.G.)
  - ALL BOLTS SHALL MEET ASTM F-3125 (Grade A-307 or A-325 AS NOTED) AND BE HOT DIPPED GALVANIZED (H.D.G.). ALL NUTS SHALL BE LOCK TIGHT.



NO.	DATE	ISSUE/REVISION	APP
	11/8/19		



Designed: -  
Checked: BAP  
Drawn: JSF  
Approved By: -

Community Boating, Inc.  
21 David G Mugar Way  
Boston, MA 02114

GEI Project 1900317

Shade Structure  
Community Boating  
Charles River Esplanade

Proposed Shade Structure Plan & Section


DWG. NO.  
**C-01**  
SHEET NO.  
1 of 1



*Ronald P. Esquire*





Attention:  If this scale bar does not measure 1" then drawing is not original scale.				
	NO.	DATE	ISSUE/REVISION	APP



Designed:	-
Checked:	BAP
Drawn:	JSF
Approved By:	-

Community Boating, Inc.  
 21 David G Mugar Way  
 Boston, MA 02114

GEI Project 1900317

Shade Structure Community Boating Charles River Esplanade	DWG. NO. <b>C-00</b>
Shade Structure Photos	SHEET NO. 1 of 1