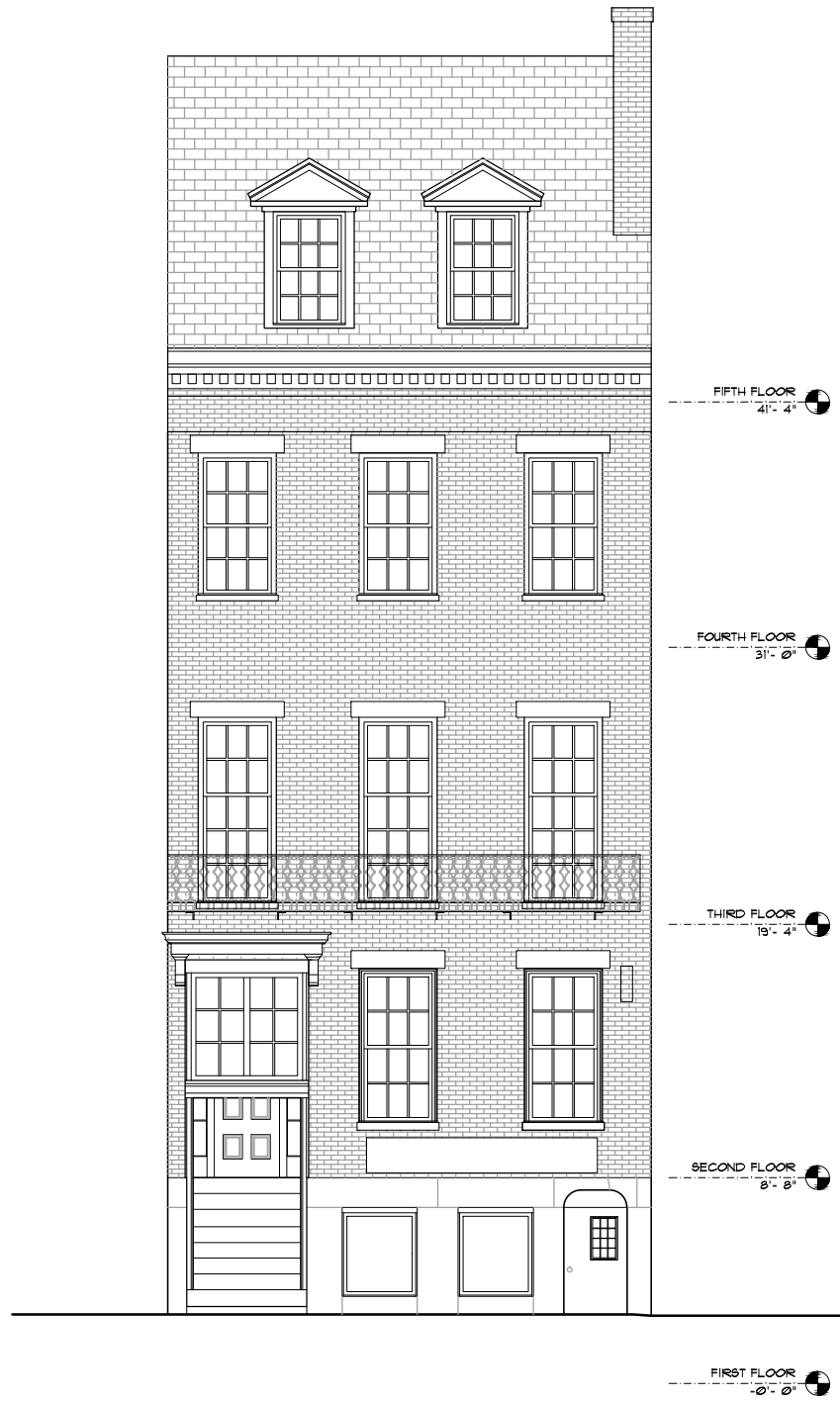
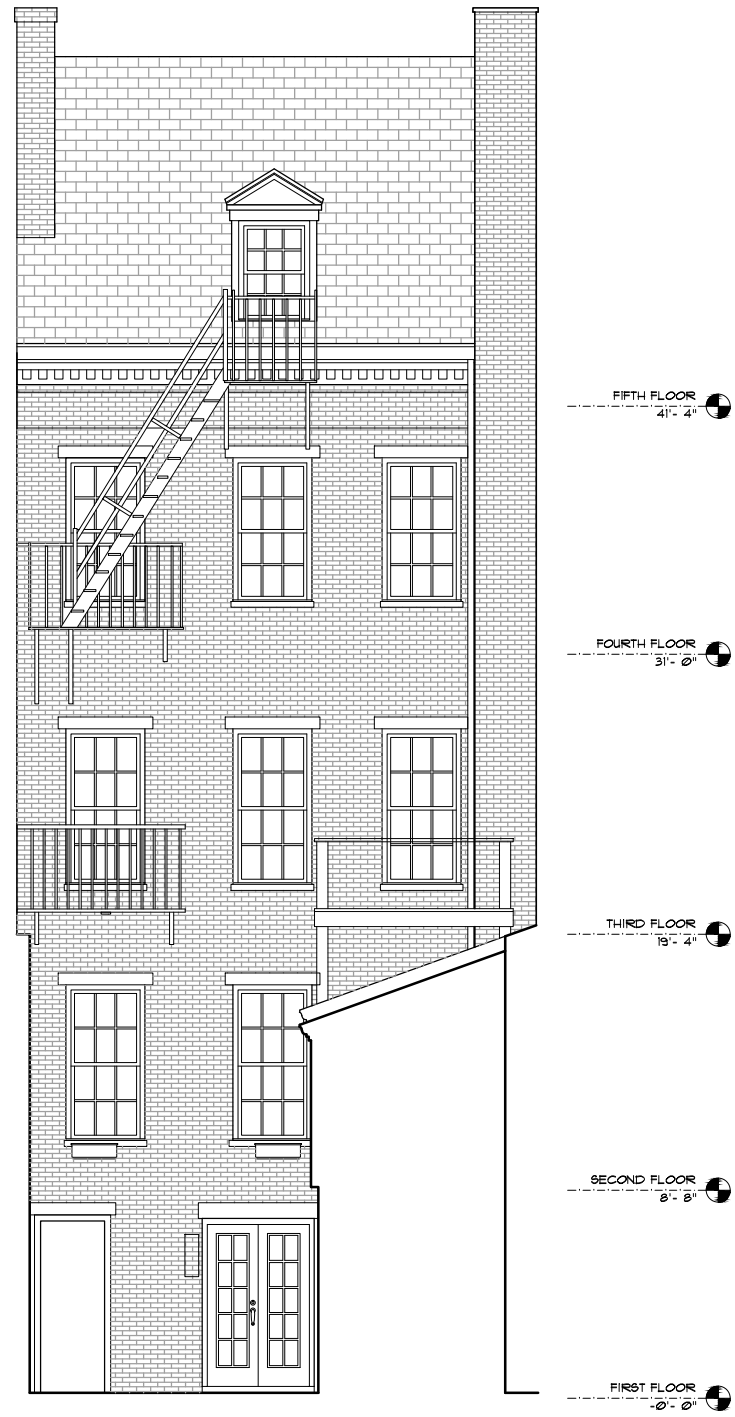




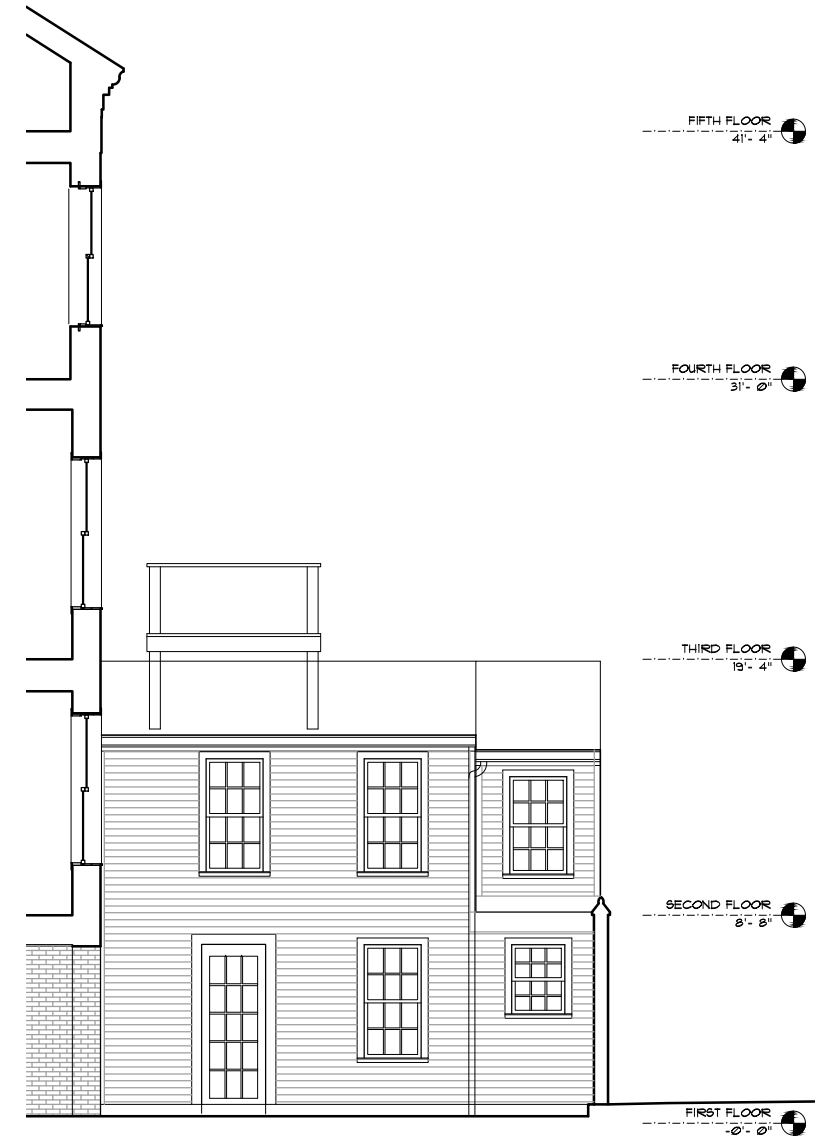
71 CHARLES STREET
NOVEMBER 2019



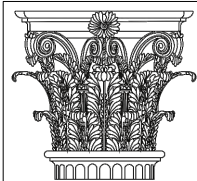
① FRONT ELEVATION
 FULL: 1/4" = 1'-0", HALF: 1/8" = 1'-0"



② REAR ELEVATION
 FULL: 1/4" = 1'-0", HALF: 1/8" = 1'-0"



③ REAR-SIDE ELEVATION
 FULL: 1/4" = 1'-0", HALF: 1/8" = 1'-0"



PAULI & URIBE
ARCHITECTS LLC
 Classic Architecture
 Interior Design
 121 Mount Vernon Street
 Boston, Massachusetts, 02108
 617 227 0954 • www.pauli-uribe.com


71 CHARLES STREET
 BOSTON, MA 02114

SHEET TITLE:
 EXISTING CONDITIONS
 FRONT & REAR
 ELEVATIONS
 DATE: OCTOBER 30, 2019
 SCALE: AS NOTED
 DRAWN: JGUR & RJP
 CHECKED: JGUR & MZF

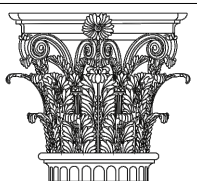
SHEET NO.

EC-1



SECOND FLOOR
8'-8" 

① ENLARGED FRONT ELEVATION
FULL: 1" = 1'-0", HALF: 1/2" = 1'-0"

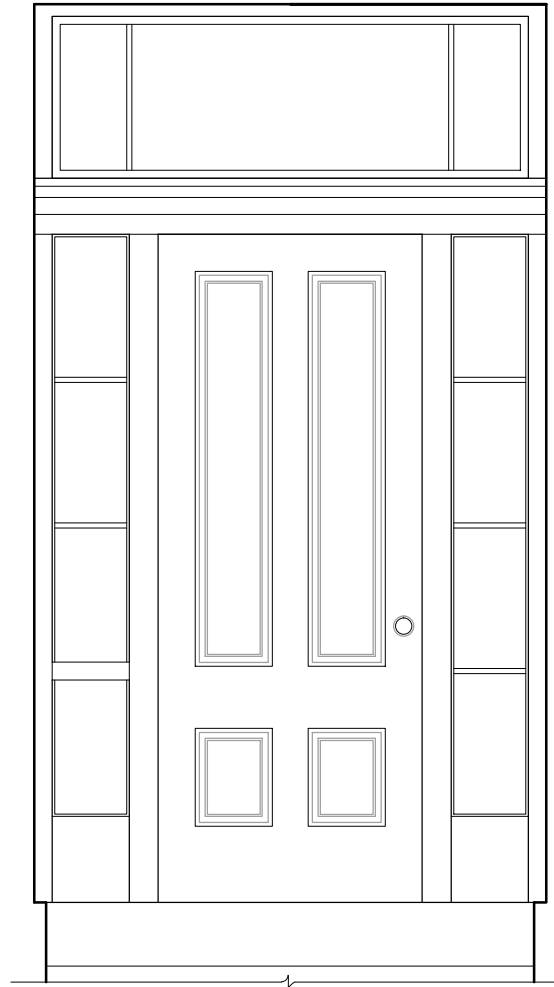
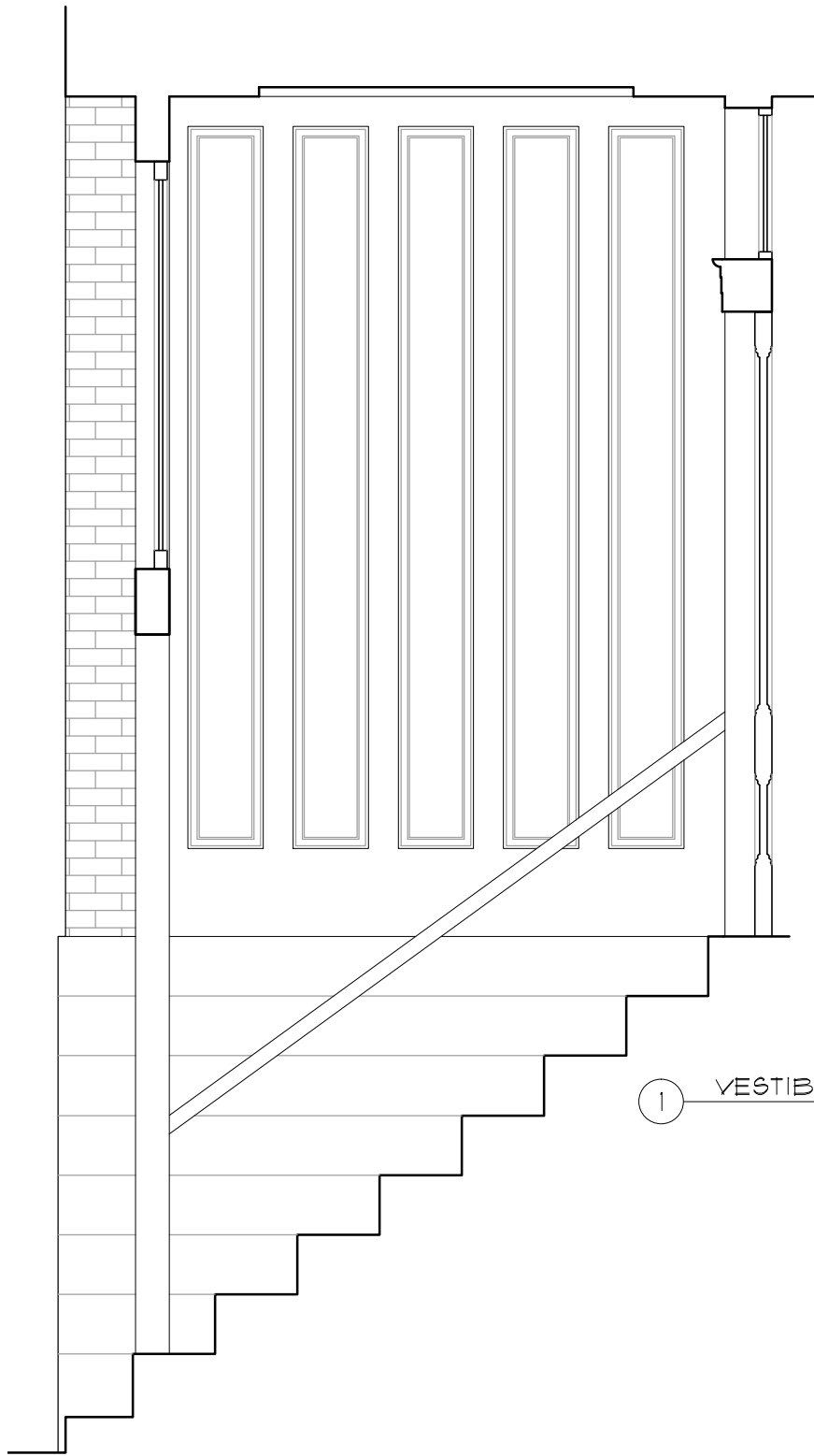


PAULI & URIBE
ARCHITECTS LLC
Classic Architecture
Interior Design
121 Mount Vernon Street
Boston, Massachusetts, 02108
617 227 0954 • www.pauli-uribe.com

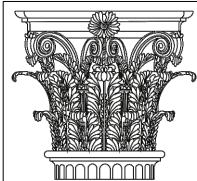
71 CHARLES STREET
BOSTON, MA 02114

SHEET TITLE:
EXISTING CONDITIONS
ENLARGED FRONT
ELEVATION
DATE: OCTOBER 30, 2019
SCALE: AS NOTED
DRAWN: JGUR & RJP
CHECKED: JGUR & MZF

SHEET NO.
EC-2



① VESTIBLE FRONT & SIDE ELEVATION
 FULL: 1" = 1'-0", HALF: 1/2" = 1'-0"



PAULI & URIBE
ARCHITECTS LLC

Classic Architecture
 Interior Design
 121 Mount Vernon Street
 Boston, Massachusetts, 02108
 617 227 0954 • www.pauli-uribe.com

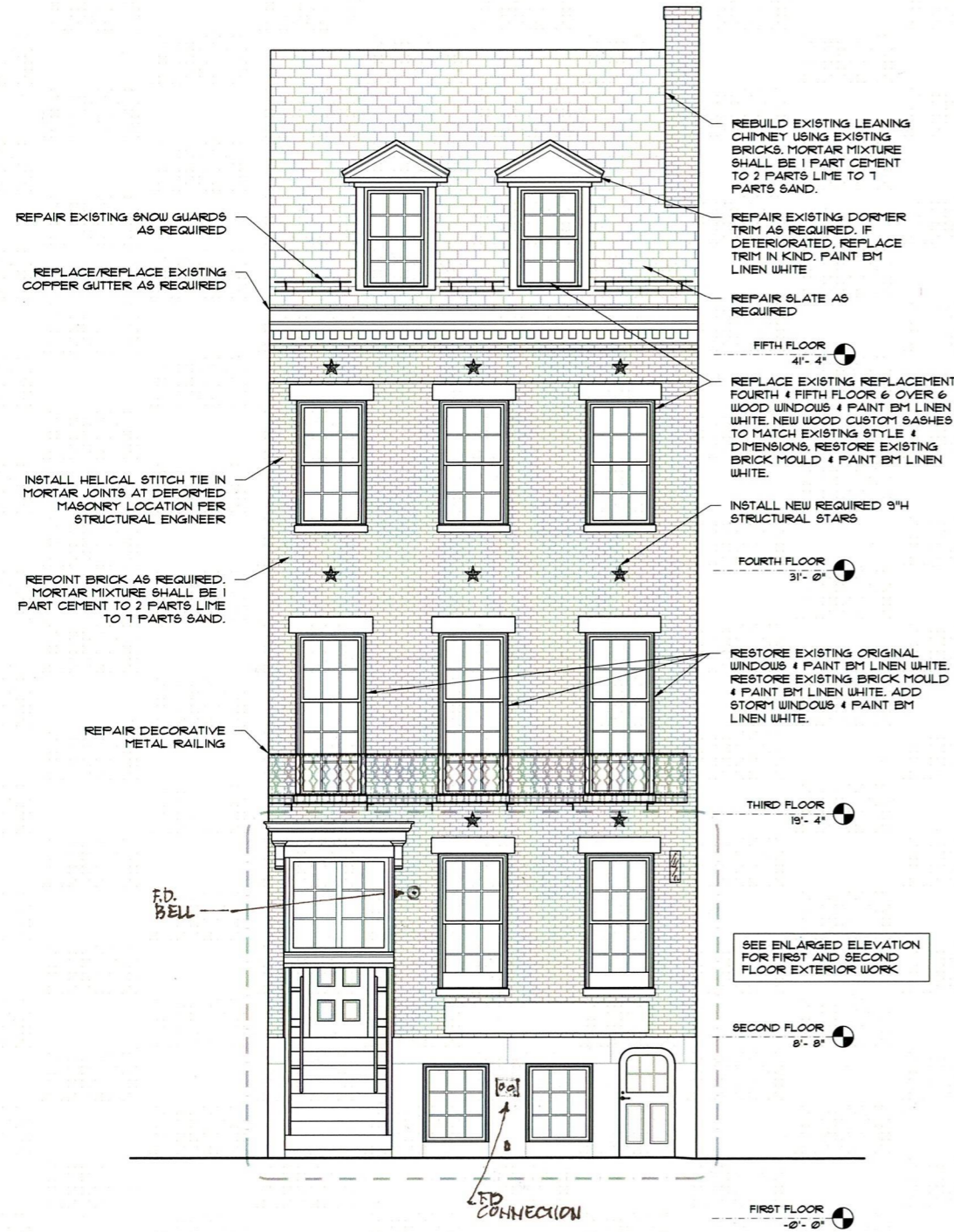
71 CHARLES STREET
 BOSTON, MA 02114

SHEET TITLE:
 EXISTING CONDITIONS
 VESTIBULE DETAILS

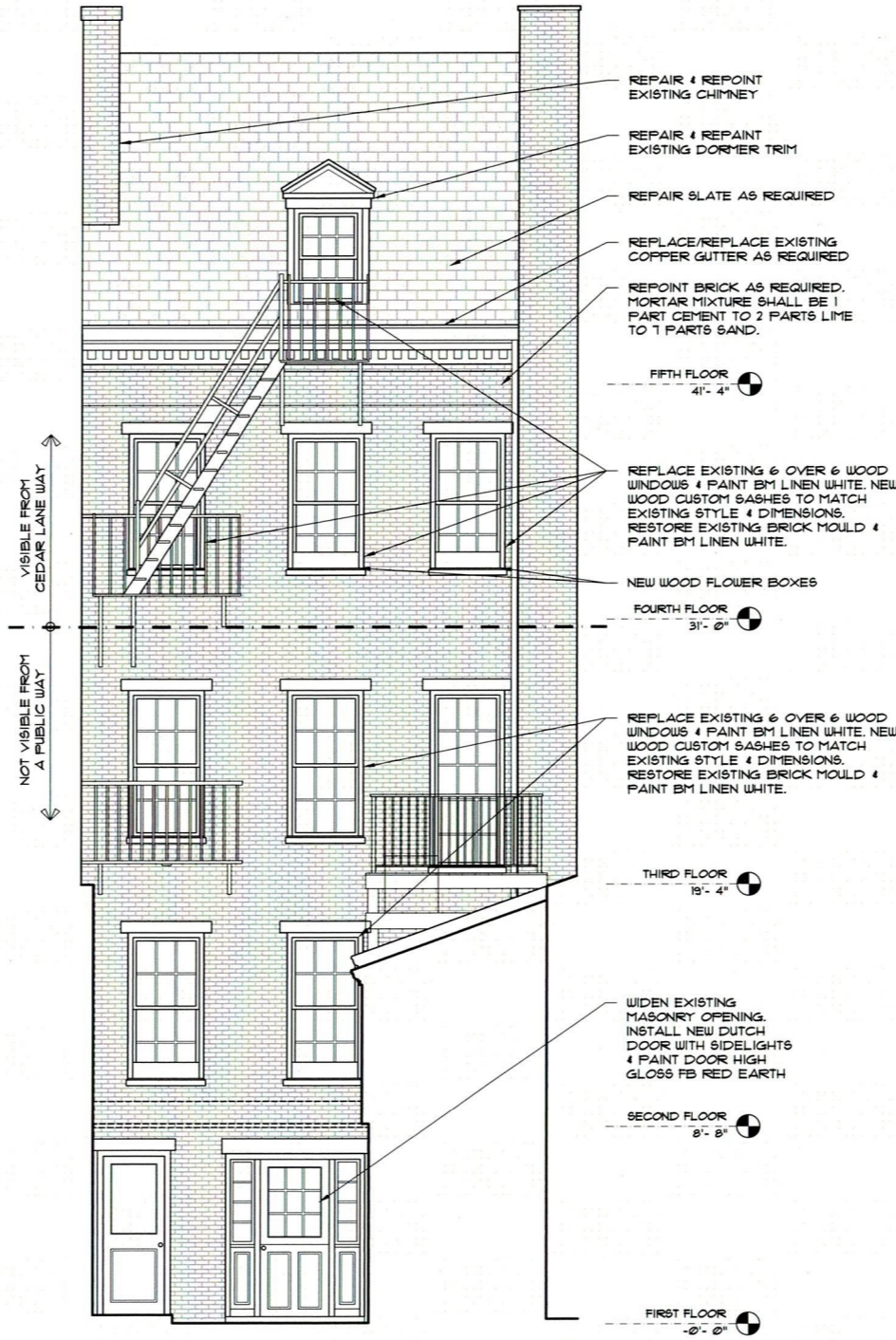
DATE: OCTOBER 30, 2019
 SCALE: AS NOTED
 DRAWN: JGUR & RJP
 CHECKED: JGUR & MZF

SHEET NO.

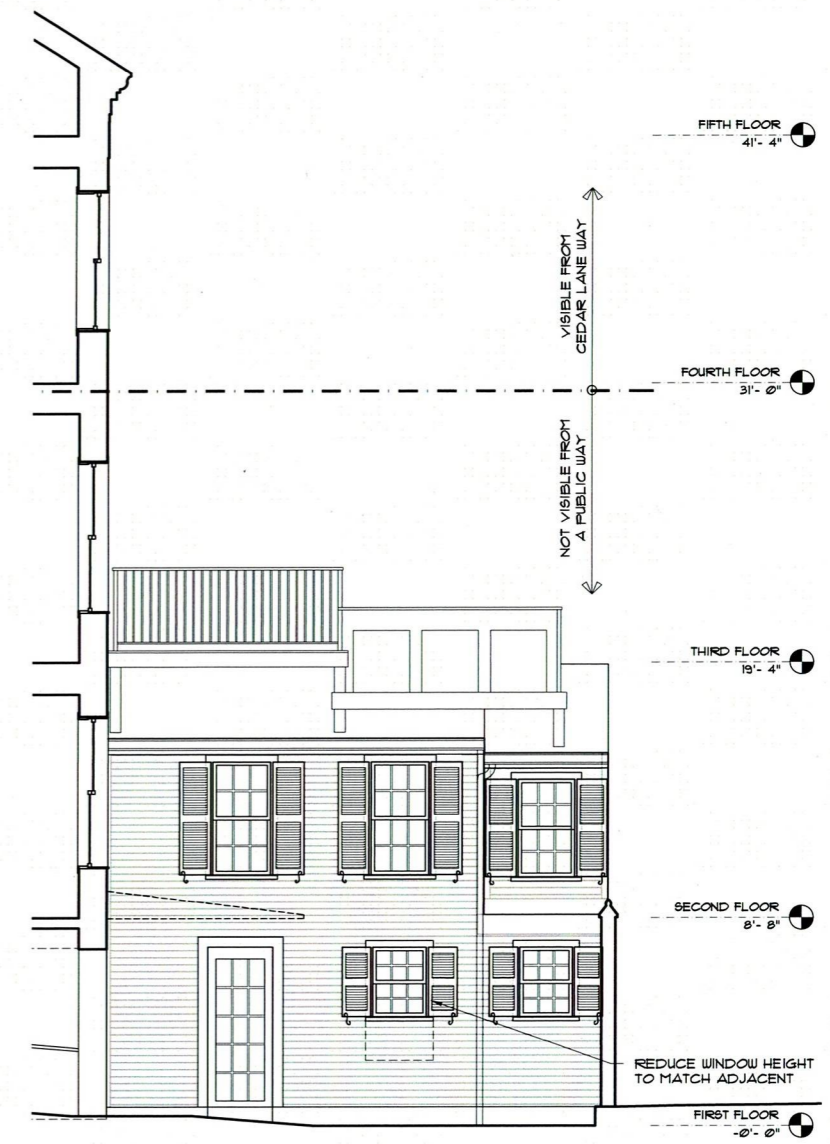
EC-3



1 FRONT ELEVATION
FULL: 1/4" = 1'-0", HALF: 1/8" = 1'-0"



2 REAR ELEVATION
FULL: 1/4" = 1'-0", HALF: 1/8" = 1'-0"



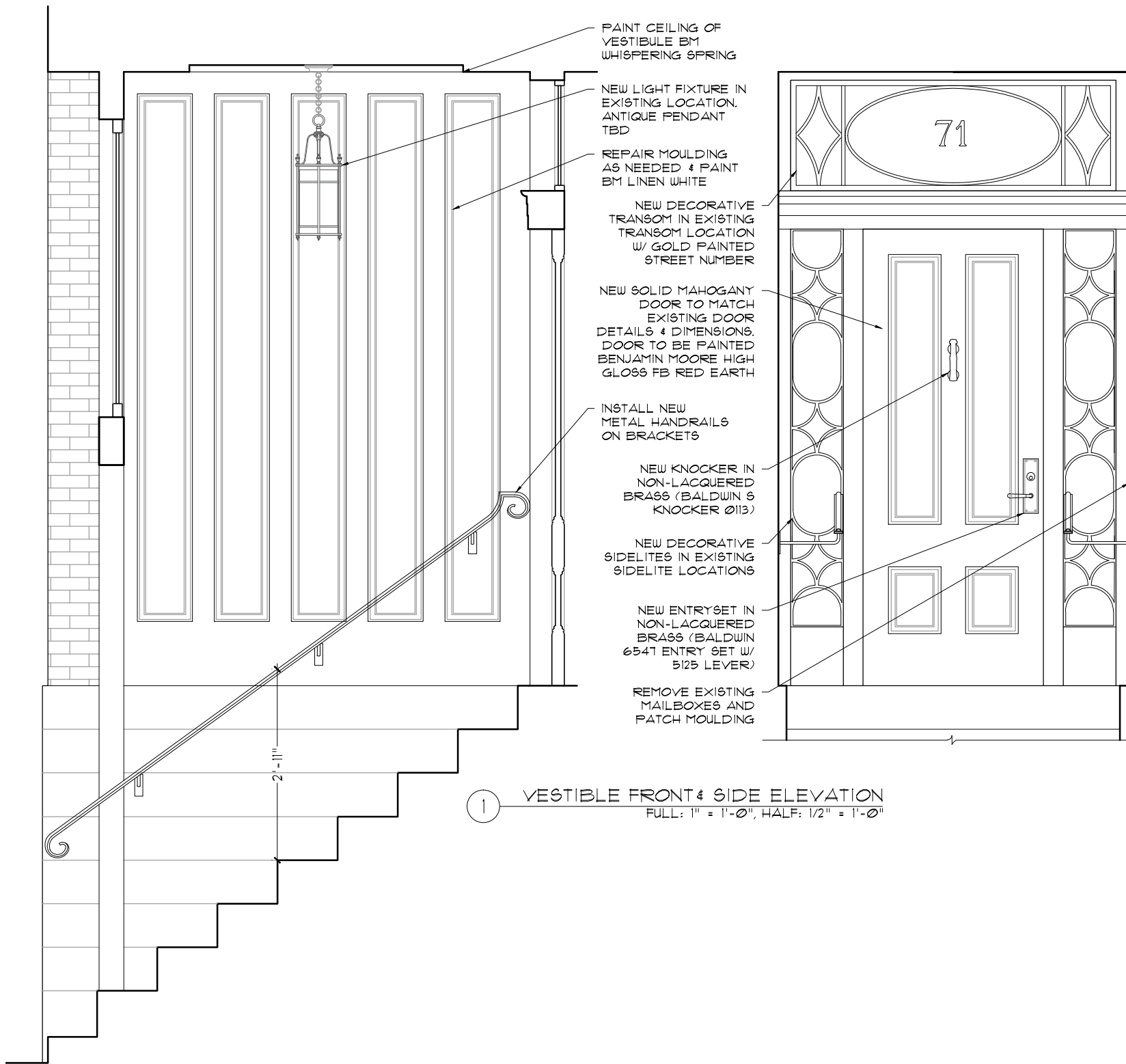
3 REAR-SIDE ELEVATION
FULL: 1/4" = 1'-0", HALF: 1/8" = 1'-0"



71 CHARLES STREET

BOSTON, MA 02114

SHEET TITLE: PROPOSED FRONT & REAR ELEVATIONS	SHEET NO. A-1
DATE: DECEMBER 10, 2019	
SCALE: AS NOTED	
DRAWN: JGUR & RJP	
CHECKED: JGUR & MZF	

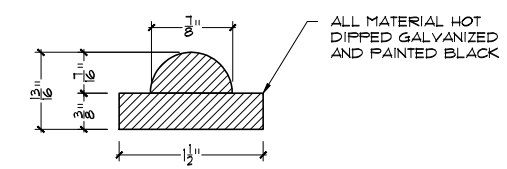


1 VESTIBULE FRONT & SIDE ELEVATION
 FULL: 1" = 1'-0", HALF: 1/2" = 1'-0"

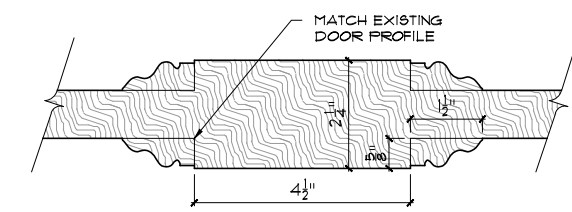
- PAINT CEILING OF VESTIBULE BM WHISPERING SPRING
- NEW LIGHT FIXTURE IN EXISTING LOCATION. ANTIQUE PENDANT TBD
- REPAIR MOULDING AS NEEDED & PAINT BM LINEN WHITE
- NEW DECORATIVE TRANSOM IN EXISTING TRANSOM LOCATION W/ GOLD PAINTED STREET NUMBER
- NEW SOLID MAHOGANY DOOR TO MATCH EXISTING DOOR DETAILS & DIMENSIONS. DOOR TO BE PAINTED BENJAMIN MOORE HIGH GLOSS FB RED EARTH
- INSTALL NEW METAL HANDRAILS ON BRACKETS
- NEW KNOCKER IN NON-LACQUERED BRASS (BALDWIN 6 KNOCKER Ø113)
- NEW DECORATIVE SIDELITES IN EXISTING SIDELITE LOCATIONS
- NEW ENTRYSET IN NON-LACQUERED BRASS (BALDWIN 6541 ENTRY SET W/ 5125 LEVER)
- REMOVE EXISTING MAILBOXES AND PATCH MOULDING



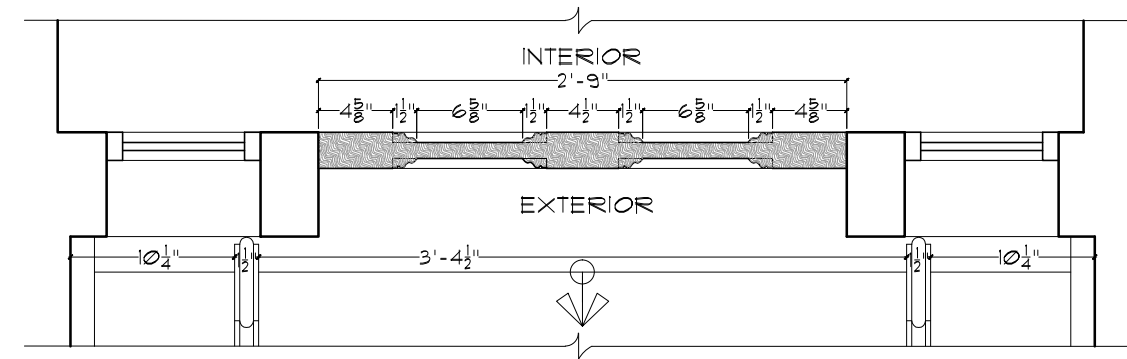
5 HANDRAIL REFERENCE IMAGE
 N.T.S.



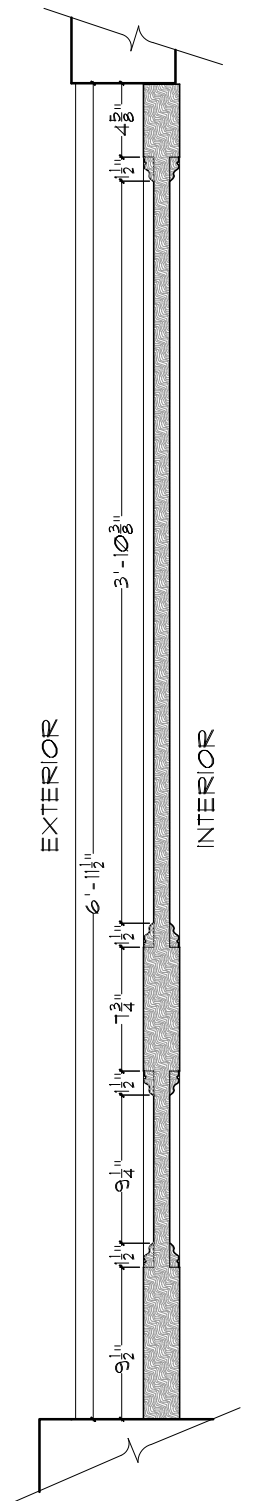
4 METAL HANDRAIL DETAIL
 FULL: 1'-0" = 1'-0", HALF: 6" = 1'-0"



3 DOOR MOULDING DETAIL
 FULL: 6" = 1'-0", HALF: 3" = 1'-0"



2 PLAN & SECTION DETAILS
 FULL: 2" = 1'-0", HALF: 1" = 1'-0"



PAULI & URIBE ARCHITECTS LLC
 Classic Architecture Interior Design
 121 Mount Vernon Street
 Boston, Massachusetts, 02108
 617 227 0954 • www.pauli-uribe.com

71 CHARLES STREET

BOSTON, MA 02114

SHEET TITLE: PROPOSED VESTIBULE DETAILS	SHEET NO. A-3
DATE: DECEMBER 10, 2019	
SCALE: AS NOTED	
DRAWN: JGUR & RJP	
CHECKED: JGUR & MZF	

RESTORE & PAINT BM LINEN WHITE

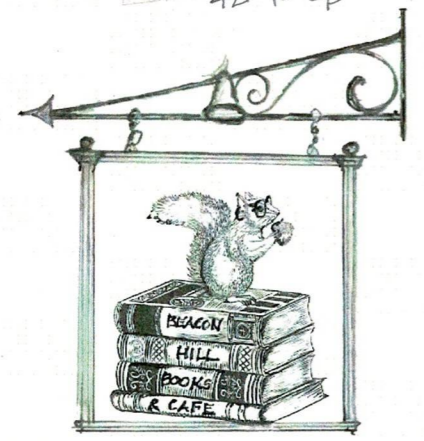
RESTORE TRANSOM WINDOW & PAINT BM LINEN WHITE

INSTALL NEW DOOR TO MATCH EXISTING. PAINT HIGH GLOSS FB RED EARTH

REPLACE EXISTING SIDELIGHTS & TRANSOM BEYOND

INSTALL TWO NEW HANDRAILS

FIRE DEPARTMENT CONNECTION TBD @ ABOVE SIDEWALK 42" TO CL



PROPOSED HANGING SIGN
- REUSE EXISTING 48" BRACKET
- NEW SIGN DESIGN TBD (SAME SIZE OR SMALLER THAN EXISTING 42"x36")

STRIP BLACK PAINT IF FEASIBLE OR PAINT TO MATCH EXISTING STONE

EXISTING SIGN BRACKET LOCATION. SEE PROPOSED SIGN

RESTORE EXISTING ORIGINAL WINDOWS & PAINT BM LINEN WHITE. RESTORE EXISTING BRICK MOULD & PAINT BM LINEN WHITE. ADD STORM WINDOWS & PAINT BM LINEN WHITE.

NEW WOOD WINDOW BOXES

NEW SIGN DESIGN IN EXISTING LOCATION TBD. SAME SIZE OR SMALLER THAN EXISTING

REPLACE EXISTING REPLACEMENT FIXED WINDOWS. BRICK MOULD TO MATCH EXISTING. 7/8" MUNTINS TO MATCH NEW DOUBLE HUNG WINDOW DETAIL

REPAIR EXISTING CRACK IN GRANITE

SECOND FLOOR
8'-8"

CAUTION SIGN FOR LOW HEADROOM TO BE DISCUSSED

SHAVE EXISTING SLOPED "OUCH" ON STONE. EXISTING STONE OUTLINE TO REMAIN

INSTALL NEW DOOR TO GARDEN LEVEL & PAINT BM BLACK. NEW LEVER & LOCK IN NON-LACQUERED BRASS (BALDWIN 5125 LEVER)

BELL

BEACON HILL BOOKS & Cafe

DRAIN

① ENLARGED FRONT ELEVATION
FULL: 1" = 1'-0", HALF: 1/2" = 1'-0"

 **PAULI & URIBE ARCHITECTS LLC**
Classic Architecture Interior Design
121 Mount Vernon Street
Boston, Massachusetts, 02108
617 227 0954 • www.pauli-uribe.com

71 CHARLES STREET
BOSTON, MA 02114

SHEET TITLE: PROPOSED ENLARGED FRONT ELEVATION	SHEET NO. A-2
DATE: DECEMBER 10, 2019	
SCALE: AS NOTED	
DRAWN: JGUR & RJP	
CHECKED: JGUR & MZF	

EXISTING FRONT FACADE PHOTOS



EXISTING FRONT FACADE PHOTOS



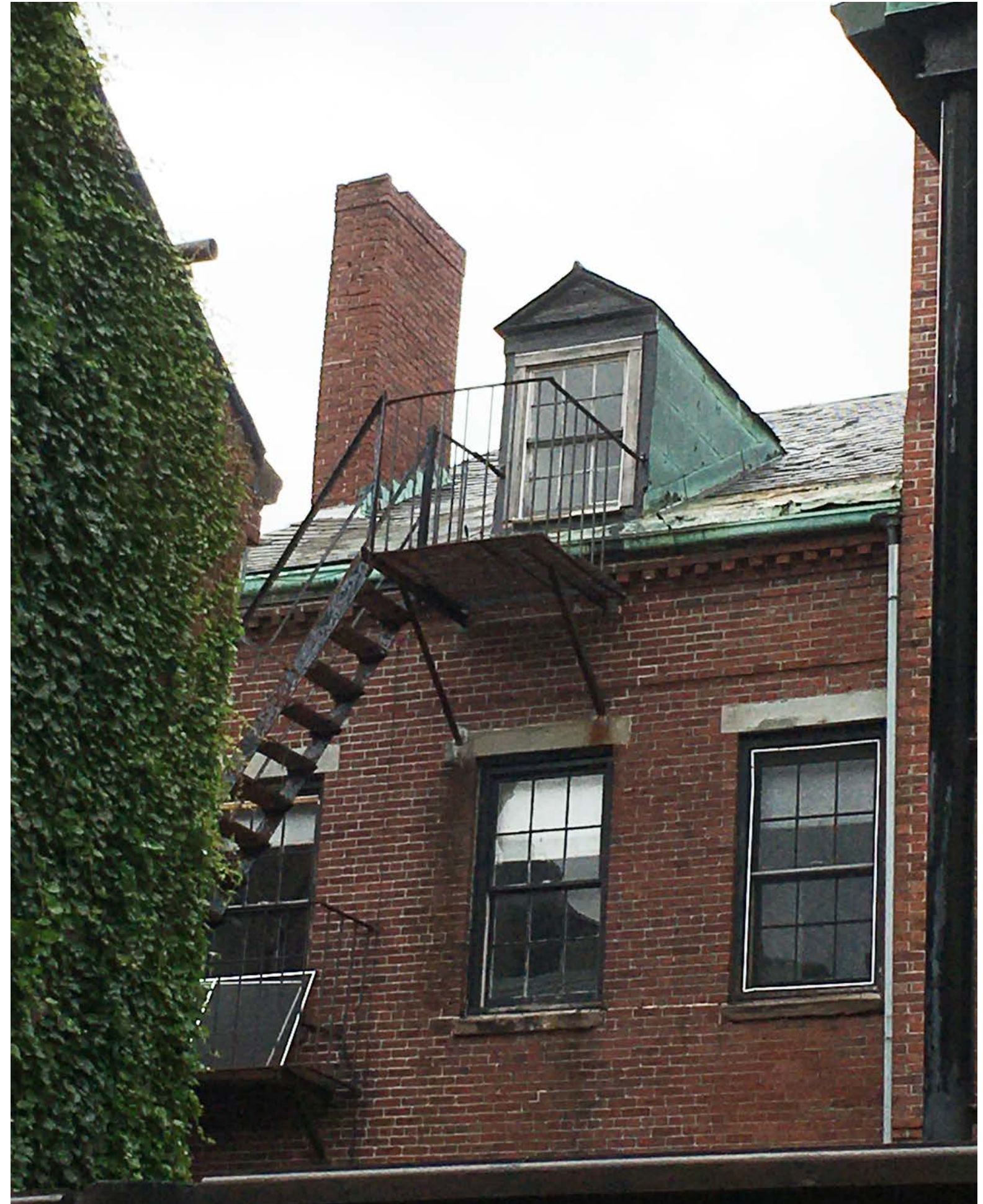
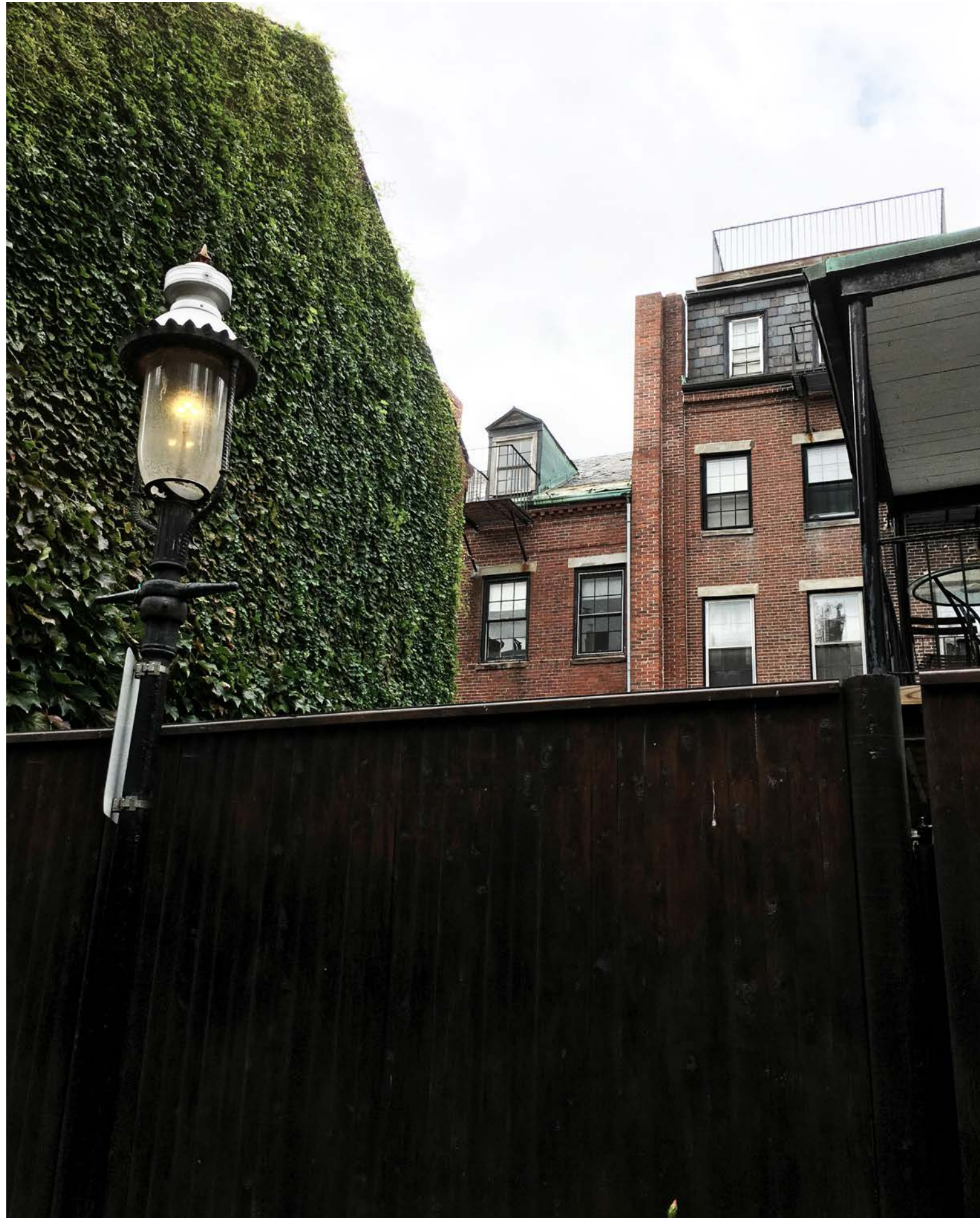
EXISTING FRONT FACADE PHOTOS



EXISTING SIGNAGE



EXISTING REAR FACADE PHOTOS FROM CEDAR LANE WAY





EXISTING DOOR & WINDOW CONDITIONS





EXAMPLES OF ENTRANCES ON CHARLES STREET



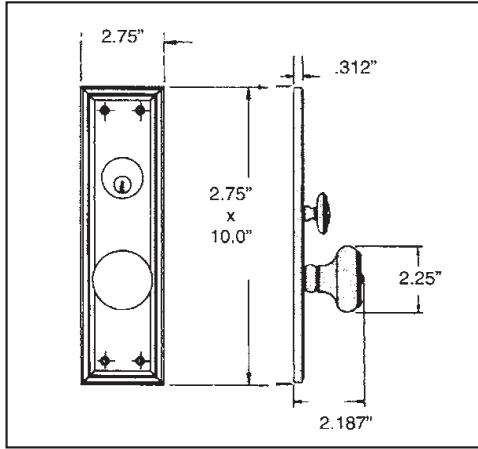
DOOR HARDWARE SPECIFICATION

6547 - NASHVILLE ESTATE ENTRYSET

SPECIFICATIONS



- > Certified by Underwriters Laboratories (UL) for use on fire doors up to three-hour rating
- > U L10C / UBC 7-2 (1997) Positive Pressure Rated, UL10B Pressure Rated
- > Material: Solid Forged Brass



SHOWN WITH KNOB 5020



REPLACE KNOB W/ 5125 LEVER

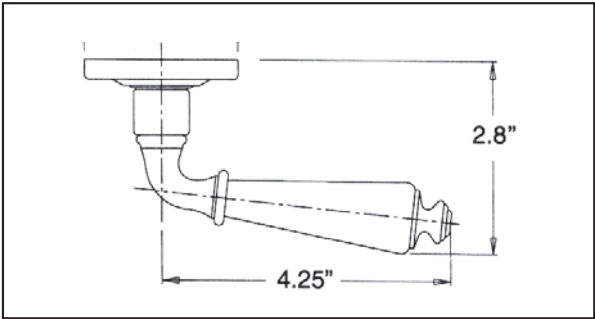
TIER 1 FINISHES		
030 Polished Brass	031 Non-lacquered Brass	033 Vintage Brass
034 Lacquered Vintage Brass	040 Satin Brass	060 Satin Brass & Brown
038 Aged Brass	050 Satin Brass & Black	190 Satin Black
102 Oil Rubbed Bronze	112 Venetian Bronze	151 Antique Nickel
150 Satin Nickel	260 Polished Chrome	264 Satin Chrome
TIER 2 FINISHES		
003 Lifetime (PVD) Polished Brass	055 Lifetime (PVD) Polished Nickel	056 Lifetime (PVD) Satin Nickel
402 Distressed Oil Rubbed Bronze	412 Distressed Venetian Bronze	452 Distressed Antique Nickel

5125 ESTATE LEVER

SPECIFICATIONS



- > Accessibility Code (ADA) A117.1 for all levers.
- > Certified by Underwriters Laboratories (UL) for use on fire doors up to three-hour rating
- > U L10C / UBC 7-2 (1997) Positive Pressure Rated, UL10B Pressure Rated
- > Material: Solid Brass



SHOWN WITH ROSE 5017



TIER 1 FINISHES

030 Polished Brass	031 Non-lacquered Brass	033 Vintage Brass
034 Lacquered Vintage Brass	040 Satin Brass	060 Satin Brass & Brown
038 Aged Brass	050 Satin Brass & Black	190 Satin Black
102 Oil Rubbed Bronze	112 Venetian Bronze	151 Antique Nickel
150 Satin Nickel	260 Polished Chrome	264 Satin Chrome

TIER 2 FINISHES

003 Lifetime (PVD) Polished Brass	055 Lifetime (PVD) Polished Nickel	056 Lifetime (PVD) Satin Nickel
402 Distressed Oil Rubbed Bronze	412 Distressed Venetian Bronze	452 Distressed Antique Nickel

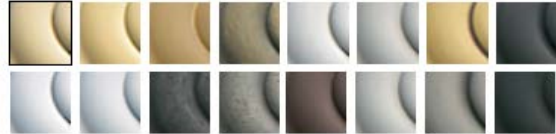
"S" KNOCKER-003 **BALDWIN®**

"S" KNOCKER

Model #: 0113.003

★★★★★ 4.6 (8)

AVAILABLE FINISHES:



WHERE TO BUY

ADD TO WISH LIST

PRODUCT HIGHLIGHTS

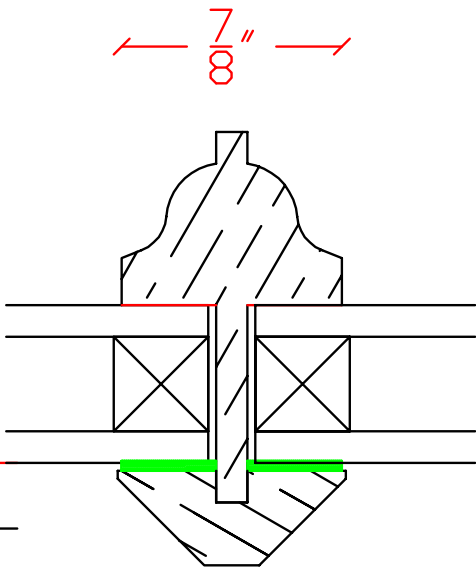
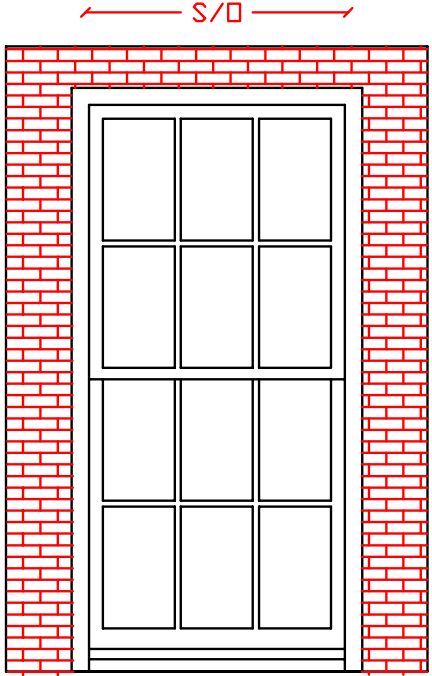
- "S" Knocker, 2" dia. base, 7.8" ht., 2.8" projection, 4.75" CTC of bolts



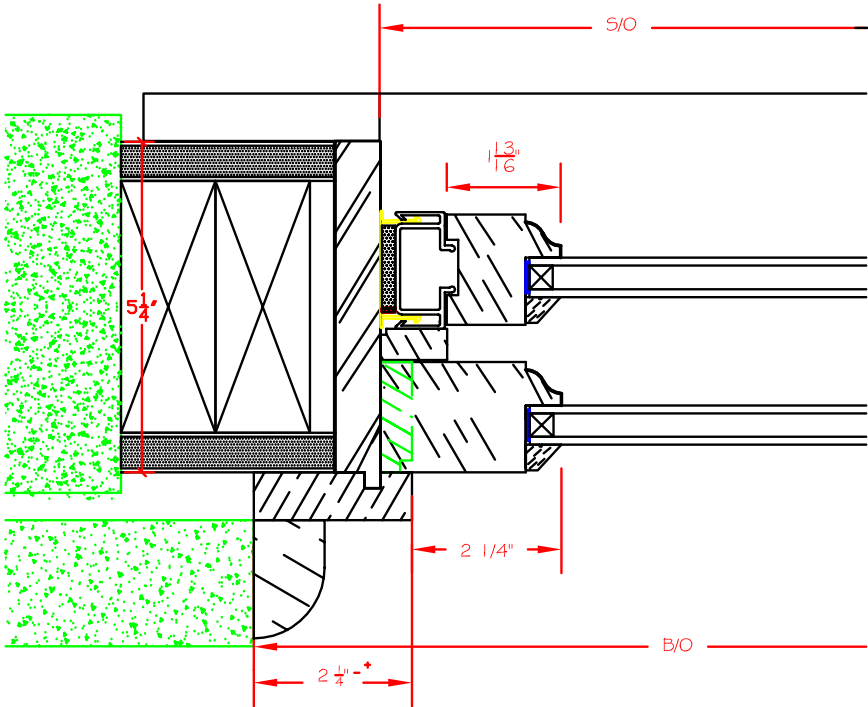
NEW WINDOW SPECIFICATIONS

JB PROPER BOSTONIAN SH WINDOW UNIT

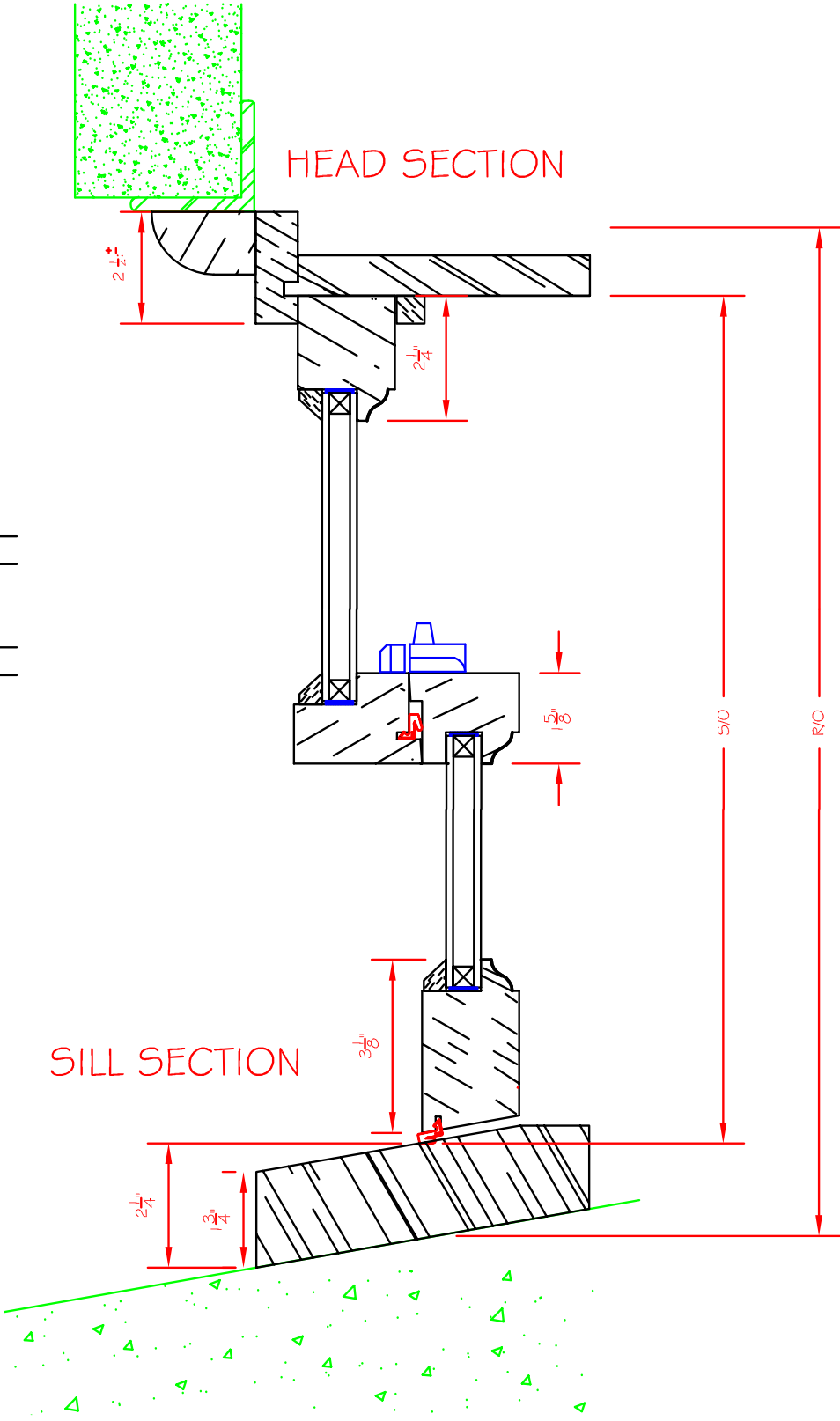
- NOTES:
- MATCH EXISTING BRICK MOULD
 - TYPICAL DOUBLE HUNG WINDOW DETAIL
 - WINDOW LITE CONFIGURATIONS TO MATCH ELEVATION ON SHEET A-1



T.D.L. BAR
FULL SCALE



JAMB SECTION



HEAD SECTION

SILL SECTION

SHEET 1

OF 1

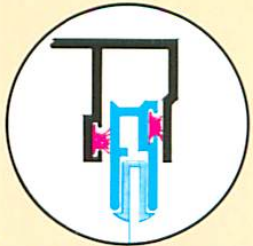
JBPB SH REPL/UNIT - 6/6

DEALER: JB SASH & DOOR CO., INC.
 NUMBER: DATE: 02/26/16
 DRAWN: R.L.B. CHECK:

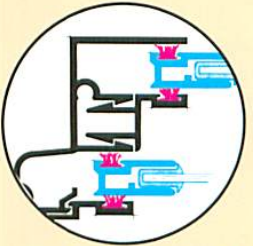
STORM WINDOW SPECIFICATIONS



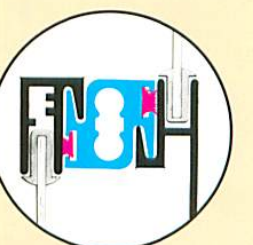
The Storm Window that beats air infiltration everywhere it counts.



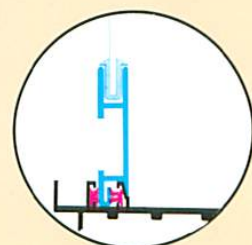
Head: There's an extra deep pocket and double weatherstripping to seal this critical area.



Jambs: The TRU-CHANNEL earns its name and reputation as the storm window that outperforms most prime windows right here. The sash rails ride between double layers of heavy duty silicone-treated wool pile weatherstripping. The harder the wind blows, the tighter the seal.



Meeting Rail: A fine feature that makes the TRU-CHANNEL outperform other windows is the revolutionary RIGID BAR tubular extrusion with double interlocks and double weatherstripping. It really puts a stop to leaking air and keeps the frame square even after years of service.



Sill: A tongue and groove interlock combined with inner and outer SOLID BARRIER weatherstripping makes the most effective seal possible.

NO COMPROMISE DESIGN - that's what makes the TRU-CHANNEL Storm Window so different from any other storm window. It is why we have engineered the most effective interlocks, joints and weatherstripping, and why the frame is so heavy with weatherstripping on BOTH sides of the sash rails.



Solid Barrier Weatherstripping
It's the ultimate in weather protection and the TRU-CHANNEL window uses more than twice as much as ordinary storm windows.

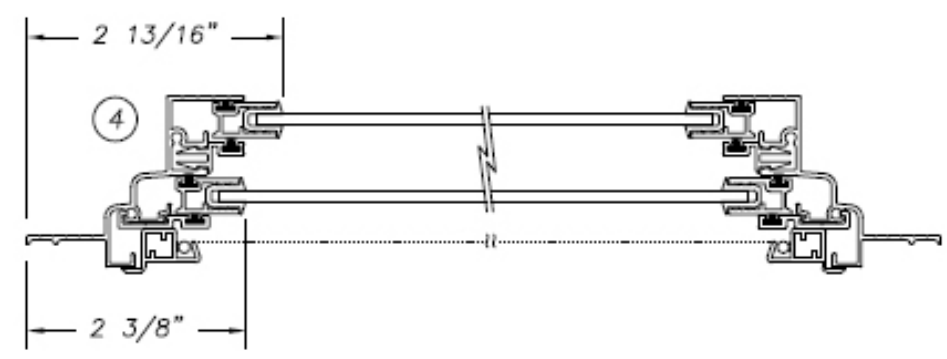
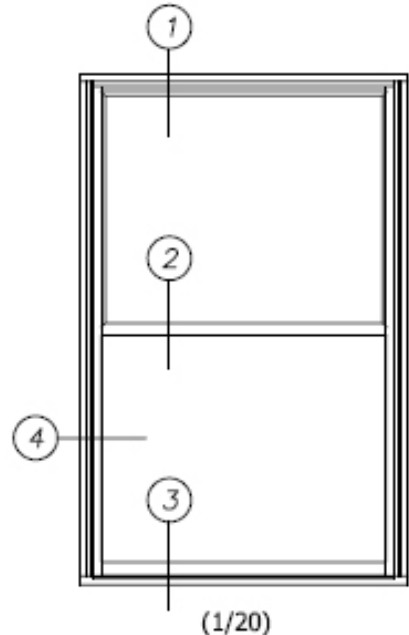
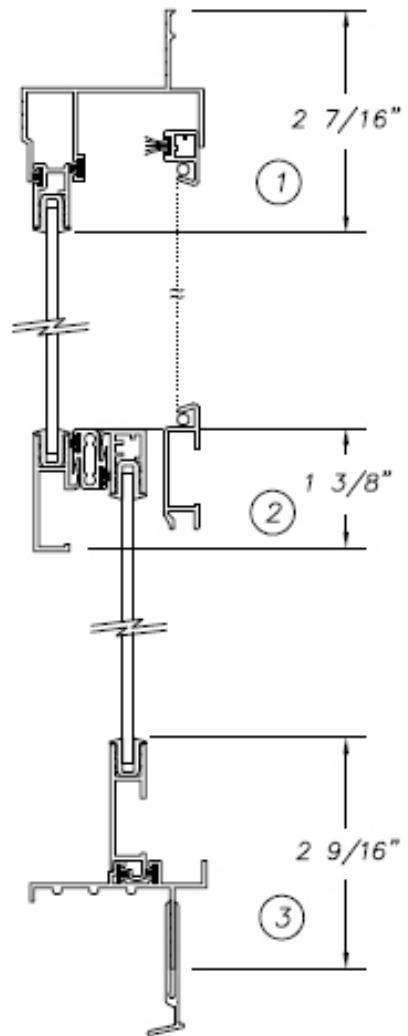
Your choice of color



COMPARATIVE AIR INFILTRATION RATES		
AIR INFILTRATION CFM/FCP	Federal Standard	Industry Standard
0.04	0.5	2.0
TRU-CHANNEL		

AIR INFILTRATION CFM/FCP. The lower the number, the better the performance.

Harvey Industries, Inc.
Tru-Channel Storm Window
(1/2 Scale)



EXTERIOR PAINT SPECIFICATIONS

Exterior specifications for 71 Charles Street (Facing Charles Street)

All windows and surrounding wood trim: Benjamin Moore
"Linen White" No. 912 (semi-gloss)



Front Door: Farrow & Ball "Red Earth" No. 64 (high gloss)



Exterior vestibule: Benjamin Moore "Linen White" No. 912 (gloss)

- All exterior and interior wood surfaces in same Linen White
- Ceiling of vestibule in Benjamin Moore "Whispering Spring" No. 2136-60



Exterior Lintels and sills over 2nd floor windows: color to be custom mixed to match un-painted stone lintels and sills on all other exterior windows

Door to alley entryway: Benjamin Moore "Black" No. 2132-10



(Back of house)

All windows and trim in Benjamin Moore "Linen White" (gloss)

Back Entrance Dutch Door: Benjamin Moore "Red Earth" No. 64 (high gloss)

Clapboard siding: Benjamin Moore "Linen White" (flat)

All windows and trim also "Linen White" (gloss)

Shutters on 1st and 2nd floor of kitchen extension: Benjamin Moore
"Harbor Haze" No. 2136-60



Window Boxes on all windows on the ground level, 1st and 2nd floors - wood boxes painted in "Linen White" (gloss)

Back Wood fence: all in "Linen White" (gloss)

SPECIFICATIONS

TWO-WAY & THREE-WAY INLETS

Cast brass body with drop clappers. Size, outlet location and number of inlets as selected by model number. Polished brass plate with lettering as selected. Polished brass 2-1/2" double female snoots with rigid end N.P.T. x pin lug hose thread swivels, pin lug plugs and chains.



MODEL 5021 (Shown)

MODEL SELECTION

- *5021 Back Outlet
- *5022 Bottom Outlet
- *5023 Top Outlet
- *5025 Back Outlet
- 5026 Bottom Outlet
- 5027 Top Outlet
- 5031 Back Outlet
- 5032 Bottom Outlet
- 5033 Top Outlet

NOTE: * = U/L Listed

PRODUCT OPTIONS

FINISHES:

- D Polished Chrome Plated

VARIATIONS:

- F Sillcock Flange Plate with Sillcock

THREADS:

- N.S.T.
- Other _____

LETTERING AVAILABLE:

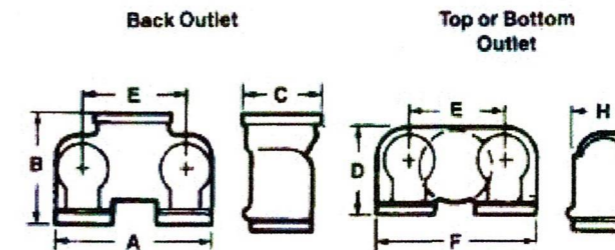
- AUTO. SPKR.
- STANDPIPE
- DRY STANDPIPE
- AUTO SPKR. STANDPIPE

MODEL DIMENSIONS

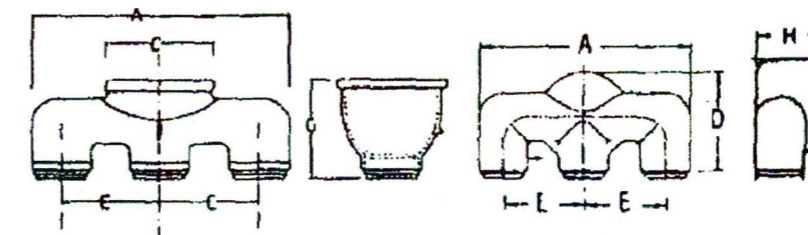
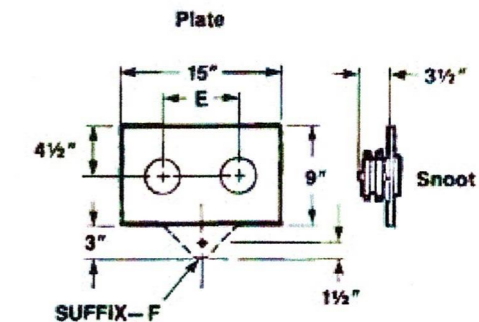
TWO-WAY AND THREE-WAY INLET

Outlet Location			Size	A	B	C	D	E	F	G	H	No. Inlets
Back Outlet Model No.	Bottom Outlet Model No.	Top Outlet Model No.										
*5021	*5022	*5023	4 x 2-1/2 x 2-1/2	11	6	5-1/2	6	7	11	-	5-3/4	2
*5025	5026	5027	6 x 2-1/2 x 2-1/2	12-3/4	8-3/4	7-3/4	9-1/2	7-1/2	12	-	5-1/4	2
5031	5032	5033	6 x 2-1/2 x 2-1/2 x 2-1/2	17-5/16	-	7-3/8	-	6-5/8	6-3/4	6-3/4	6	3

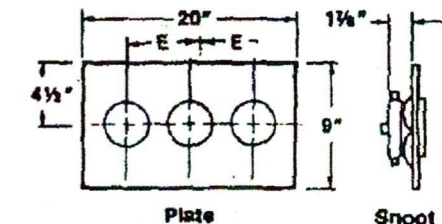
ALL DIMENSIONS IN INCHES



TWO-WAY INLET



THREE-WAY INLET



Call Potter Roemer - Fire Pro for current listings and approvals. Dimensions are subject to manufacturer's tolerance and may change without notice. Potter Roemer - Fire Pro assumes no responsibility for use of void or superseded data. © Copyright Potter Roemer - Fire Pro, Member of Morris Group International™ Please visit potterroemer.com for most current specifications.

5020-5030 SERIES Date: 9/25/18

MEMBERSHIP



POTTER ROEMER/FIRE PRO

Headquarters: P.O. Box 3527, City of Industry, CA 91744 U.S.A., Los Angeles Area 800-366-3473, 626-855-4890
 Also in: New York (800) 526-4592, Chicago (800) 547-3473, Atlanta (800) 762-0542, Miami (866) 961-3473, Dallas (866) 644-3473
www.potterroemer.com

Call Potter Roemer - Fire Pro for current listings and approvals. Dimensions are subject to manufacturer's tolerance and may change without notice. Potter Roemer - Fire Pro assumes no responsibility for use of void or superseded data. © Copyright Potter Roemer - Fire Pro, Member of Morris Group International™ Please visit potterroemer.com for most current specifications.

5020-5030 SERIES Date: 9/25/18

MEMBERSHIP



POTTER ROEMER/FIRE PRO

Headquarters: P.O. Box 3527, City of Industry, CA 91744 U.S.A., Los Angeles Area 800-366-3473, 626-855-4890
 Also in: New York (800) 526-4592, Chicago (800) 547-3473, Atlanta (800) 762-0542, Miami (866) 961-3473, Dallas (866) 644-3473
www.potterroemer.com

Features

- Listed for indoor and outdoor use
- Outdoor use requires BBK-1 or HC-BB weatherproof back box
- Indoor use mounts directly to standard 4" box
- Low current draw
- High dB output
- AC and DC models
- DC models are motor driven, polarized, and have built in transient protection for supervised alarm circuits
- Available in 6", 8" and 10" sizes



* ULC on MBA-DC Only

Description

These vibrating type bells are designed for use as fire or general signaling devices. They have low power consumption and high decibel ratings. The unit mounts on a standard 4" (101mm) square electrical box for indoor use or on a model BBK-1 or HC-BB weatherproof backbox for outdoor applications. Weatherproof backbox model BBK-1 or HC-BB, Stock No. 1500001.

Notes

1. Minimum dB ratings are calculated from integrated sound pressure measurements made at Underwriters Laboratories as specified in UL Standard 464. UL temperature range is -30° to 150°F (-34° to 66°C)
2. Typical dB ratings are calculated from measurements made with a conventional sound level meter and are indicative of output levels in an actual installation.
3. ULC only applies to MBA DC bells.

Technical Specifications

Dimensions	6" (150mm), 8" (200mm) and 10" (250mm)
Enclosure	Cover: Steel Finish: Red Powder Coat Base: non-corrosive composite material All parts have corrosion resistant finishes Model BBK-1 or HC-BB weatherproof backbox (optional)
Voltages Available	24VAC 120VAC 12VDC (10.2 to 15.6) Polarized 24VDC (20.4 to 31.2) Polarized
Environmental Limitations	Indoor or outdoor use (See Note 1) -40° to 150°F (-40° to 66°C) (Outdoor use requires weatherproof backbox.)
Termination	AC Bells - 4 No. 18 AWG stranded wires DC Bells - Terminal strip
Service Use	NFPA 13, 72, local AHJ

*Specifications subject to change without notice.

Size inches (mm)	Voltage	Model Number	Stock Number	Current (Max.)	Typical dB at 10 ft. (3m) (2)	Minimum dB at 10 ft. (3m) (1)
6 (150)	12VDC	MBA-6-12	1750070	.12A	85	76
8 (200)	12VDC	MBA-8-12	1750080	.12A	90	77
10 (250)	12VDC	MBA-10-12	1750060	.12A	92	78
6 (150)	24VDC	MBA-6-24	1750100	.06A	87	77
8 (200)	24VDC	MBA-8-24	1750110	.06A	91	79
10 (250)	24VDC	MBA-10-24	1750090	.06A	94	80
6 (150)	24VAC	PBA246	1806024*	.17A	91	78
8 (200)	24VAC	PBA248	1808024*	.17A	94	77
10 (250)	24VAC	PBA2410	1810024*	.17A	94	78
6 (150)	120VAC	PBA1206	1806120*	.05A	92	83
8 (200)	120VAC	PBA1208	1808120*	.05A	99	84
10 (250)	120VAC	PBA12010	1810120*	.05A	99	86

All DC bells are polarized and have built-in transient protection. * Does not have ULC listing.

WARNING

- Installation must be performed by qualified personnel and in accordance with all national and local codes and ordinances.
- Shock hazard. Disconnect power source before servicing. Serious injury or death could result.
- Risk of explosion. Not for use in hazardous locations. Serious injury or death could result.

WARNING

In outdoor or wet installations, bell must be mounted with weatherproof backbox, BBK-1 or HC-BB. Standard electrical boxes will not provide a weatherproof enclosure. If the bell and/or assembly is exposed to moisture, it may fail or create an electrical hazard.

Installation

The bell shall be installed in accordance with NFPA 13, 72, or local AHJ. The top of the device shall be no less than 90" AFF and not less than 6" below the ceiling.

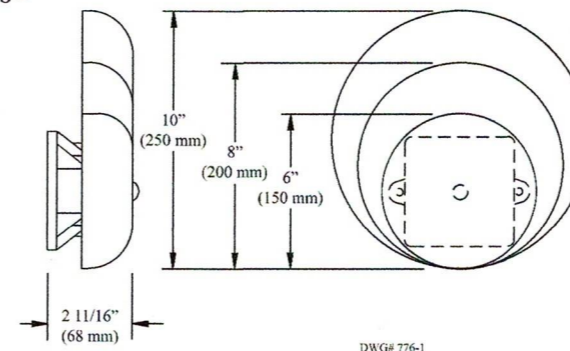
1. Remove the gong.
2. Connect wiring (see Fig. 3).
3. Mount bell mechanism to backbox (bell mechanism must be mounted with the striker pointing down).
4. Reinstall the gong (be sure that the gong positioning pin, in the mechanism housing, is in the hole in the gong).
5. Test all bells for proper operation and observe that they can be heard where required (bells must be heard in all areas as designated by the authority having jurisdiction).

WARNING

Failure to install striker down will prevent bell from ringing.

Bell Dimension Inches (mm)

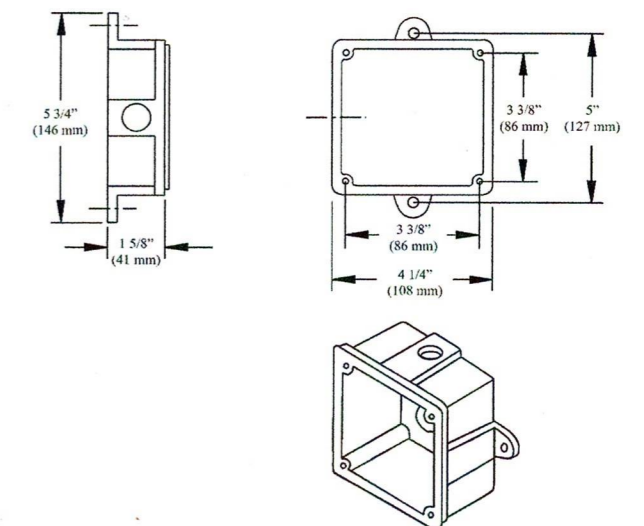
Fig 1



Weatherproof Backbox Dimensions Inches (mm)

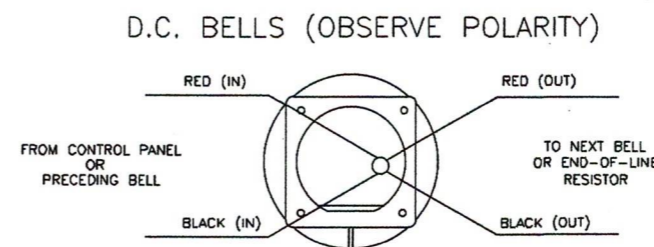
MODEL BBK-1 OR HC-BB

Fig 2



Wiring Rear View

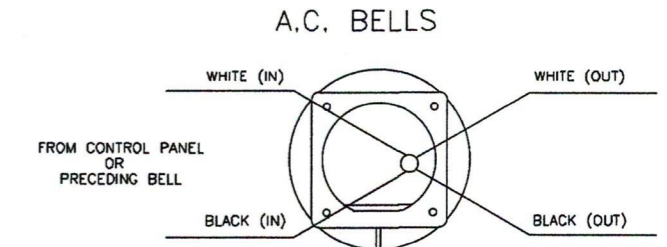
Fig 3



CAUTION: WHEN ELECTRICAL SUPERVISION IS REQUIRED USE IN AND OUT LEADS AS SHOWN.

NOTES:

1. OBSERVE POLARITY TO RING D.C. BELLS.
2. RED WIRES POSITIVE (+).
3. BLACK WIRES NEGATIVE (-).
4. EOL RESISTOR IS SUPPLIED BY FIRE ALARM CONTROL PANEL.



CAUTION: WHEN ELECTRICAL SUPERVISION IS REQUIRED USE IN AND OUT LEADS AS SHOWN.

NOTES:

1. WHEN USING A.C. BELLS, TERMINATE EACH EXTRA WIRE SEPERATELY AFTER LAST BELL.
2. END-OF-LINE RESISTOR IS NOT REQUIRED ON AC BELLS .



The Viking Corporation, 210 N Industrial Park Drive, Hastings MI 49058

Telephone: 269-945-9501 Technical Services 877-384-5464 Fax: 269-818-1680 Email: techsvcs@vikingcorp.com

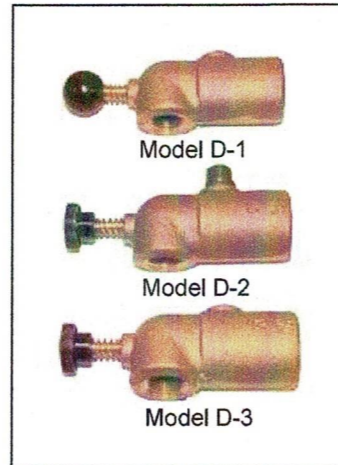
1. DESCRIPTION

Viking Automatic Drip Checks are designed to drain water automatically, which may leak past a normally closed drip valve or deluge valve. They close, however, against an increase in flow pressure and will open automatically at a predetermined decrease in pressure. The devices are used with dry and deluge valves to drain any water that may seep by the valve clapper.

Model D-1 and D-4 Drip Check is used with a valve that does not have an automatic alarm line drain. It has a notched seat so that a slight amount of water will discharge through the drip check when the valve trips. When the control valve is closed, the alarm line will automatically drain through the drip check. This unit is normally used with the Viking Deluge Valves.

Model D-2 Drip Check is normally used with Viking Model C Dry Valves with iron trim. The drip check has a 3/8" pipe plug installed for use with the Model B-1 Accelerator. When the valve trips, no water will discharge through the drip check. When the control valve is closed and the system is drained, the drip check will open and drain off any excess water in the valve.

Model D-3 Drip Check is used with a Model D, E, or F Dry Valve that has an automatic drain for the alarm line. When the valve trips, no water will discharge through the drip check. When the control valve is closed and the system is drained, the drip check will open and drain off any excess water in the valve.



2. LISTINGS AND APPROVALS

Designed to Underwriter's Laboratory and Factory Mutual requirements.

3. TECHNICAL DATA

Specifications

Available since 1980.

Working water pressure: 250 PSI (17.2 bar)

Material Standards

Body: Brass casting UNS-C84400

Ball: Stainless Steel

Spring: Phosphor Bronze

Retaining Ring: Stainless Steel

Model D-4: Electroless Nickel Plated

Ordering Information

Automatic Drip Check, 3/4"

Model D-1 (Deluge & Flow Control Valves): Part Number 10730

Model D-2 (Dry Valve Replacement with Model B-1 Accelerator): Part Number 10731

Model D-3 (Dry Valve): Part Number 10732

Model D-4 (Deluge, Electroless Nickel Plated): Part Number 10733

Viking Technical Data may be found on The Viking Corporation's Web site at <http://www.vikinggroupinc.com>. The Web site may include a more recent edition of this Technical Data Page.

4. INSTALLATION

A. Install in outlet provided in valve trim.

B. Unit should be level.

5. INSPECTIONS, TESTS AND MAINTENANCE

During each inspection of valve, push plunger to make sure no water is trapped.

6. AVAILABILITY

The Viking Automatic Drip Check is available through a network of domestic and international distributors. See the Viking Corp. Web site for closest distributor or contact The Viking Corporation.

7. GUARANTEES

For details of warranty, refer to Viking's current list price schedule or contact Viking directly.

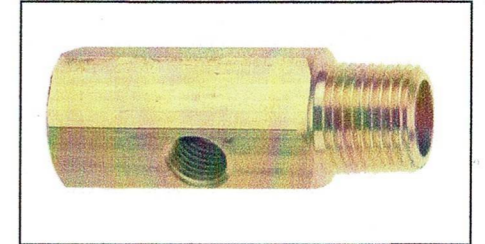


The Viking Corporation, 210 N Industrial Park Drive, Hastings MI 49058

Telephone: 269-945-9501 Technical Services 877-384-5464 Fax: 269-818-1680 Email: techsvcs@vikingcorp.com

1. DESCRIPTION

The Viking Automatic Ball Drip Valve is designed to drain water automatically which may leak past a normally closed check valve or gate valve. It closes, however, against an increase in flow pressure and will open automatically at a predetermined decrease in pressure. Automatic ball drip valves are used, for example, on the inlet side of fire department check valve or pumper connections to prevent water from collecting and freezing.



2. LISTINGS AND APPROVALS

Designed to Underwriter's Laboratory and Factory Mutual requirements.

3. TECHNICAL DATA

Specifications

Available since 1978.

Working water pressure: 250 PSI (17.2 bar)

Closing pressure: 13.5 PSI (9.3 bar) with increasing pressure

Opening pressure: 12.5 PSI (8.6 bar) with decreasing pressure

Material Standards

Bar: Brass UNS-C36000

Spring: Stainless Steel UNS-S30200

Retaining Ring: Stainless Steel UNS-S15700

Ordering Information

Automatic Ball Drip Valve, 1/2" Model B-1: Part Number 04292B

4. INSTALLATION

Install the automatic ball drip in a horizontal position. If desirable, pipe discharge to an open drain. 1/4" NPT is provided in the drain outlet.

NOTE: THIS VALVE IS NOT DESIGNED TO SHUT COMPLETELY AND WILL CONTINUE TO DRIP WHEN PRESSURIZED.

5. INSPECTIONS, TESTS AND MAINTENANCE

The Automatic Ball Drip Valve should be inspected annually.

6. AVAILABILITY

The Viking Automatic Ball Drip Valve is available through a network of domestic and international distributors. See the Viking Corp. Web site for closest distributor or contact The Viking Corporation.

7. GUARANTEES

For details of warranty, refer to Viking's current list price schedule or contact Viking directly.