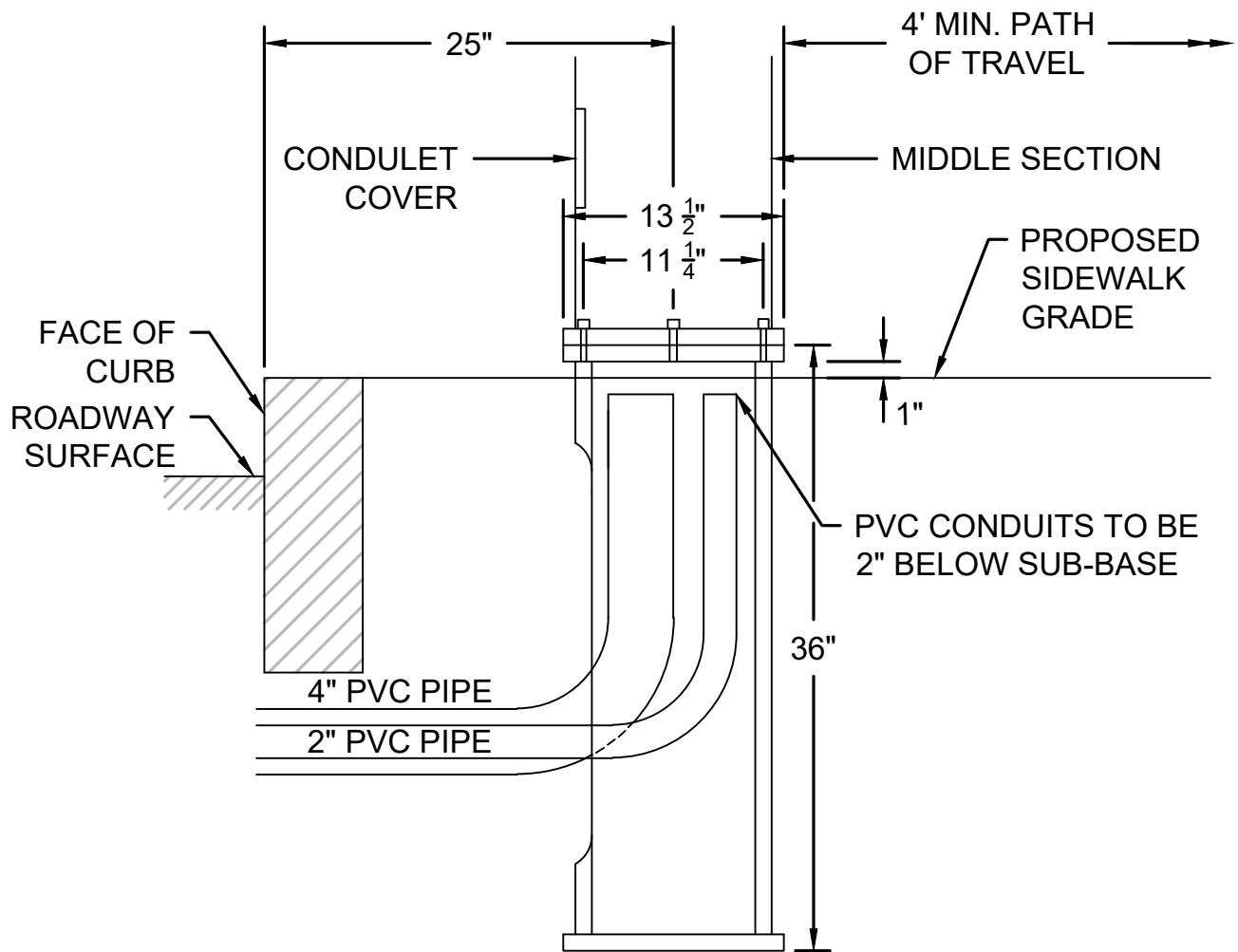


PLAN



ELEVATION



**Public Works Department
Engineering Division**

1 CITY HALL SQUARE, ROOM 710
BOSTON, MA 02201
(617) 635-4968

UTILITY - FIRE ALARM BASE

DATE OF ISSUE:
SEPTEMBER 2018

SCALE: N.T.S.

DETAIL NO.

U.3