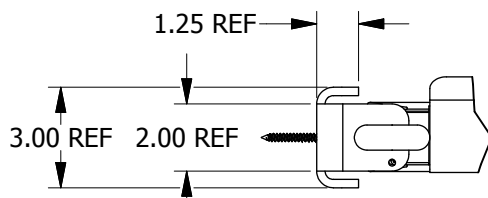
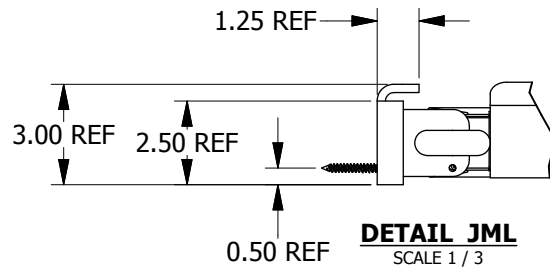


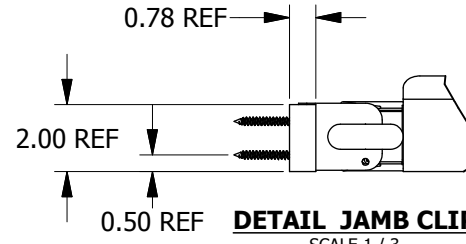
DETAIL FMZ
SCALE 1/3



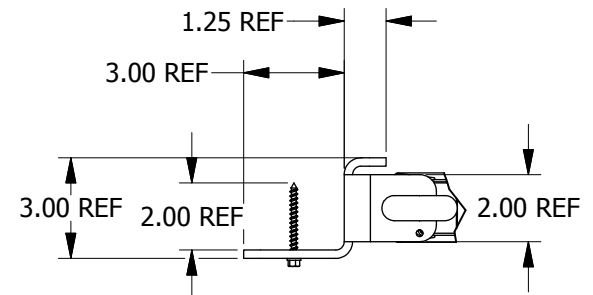
DETAIL JMC
SCALE 1/3



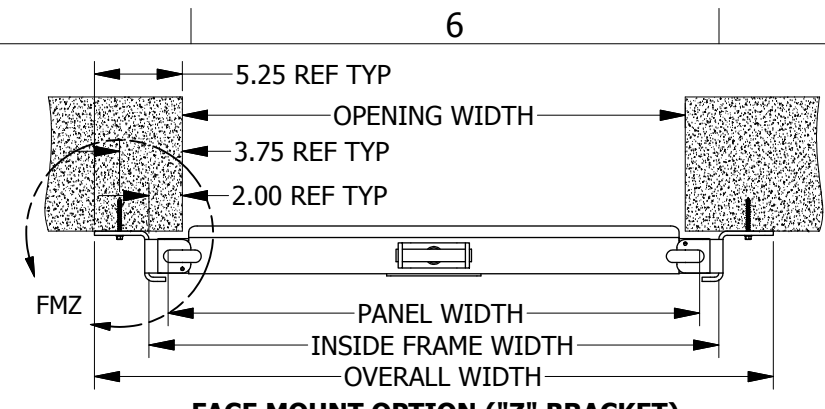
DETAIL JML
SCALE 1/3



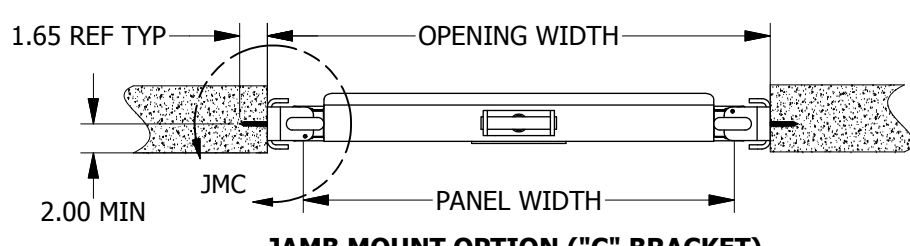
DETAIL JAMB CLIP
SCALE 1/3



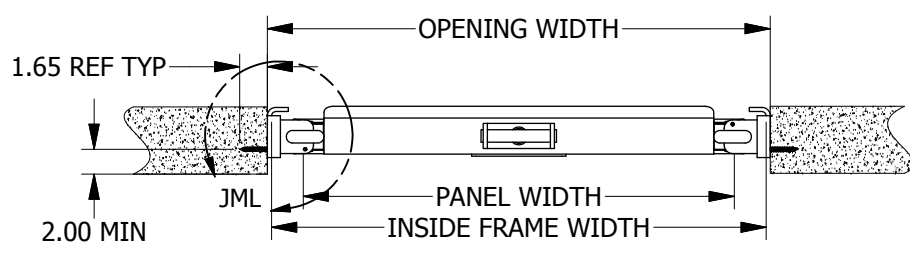
DETAIL JMZ
SCALE 1/3



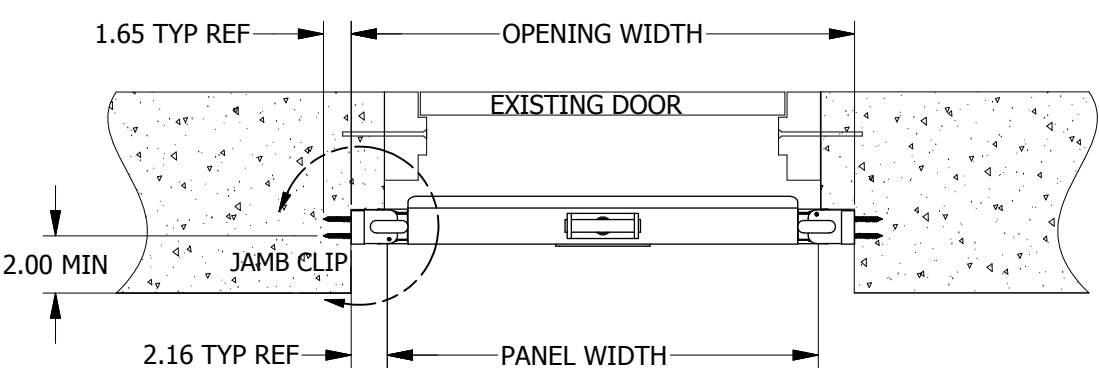
FACE MOUNT OPTION ("Z" BRACKET)



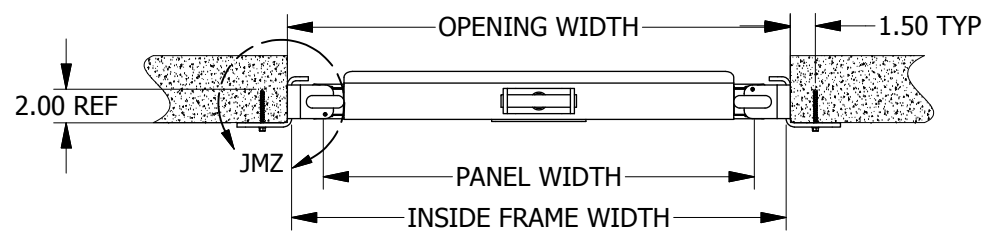
JAMB MOUNT OPTION ("C" BRACKET)
(PREFERRED "DEFAULT" CONFIGURATION)



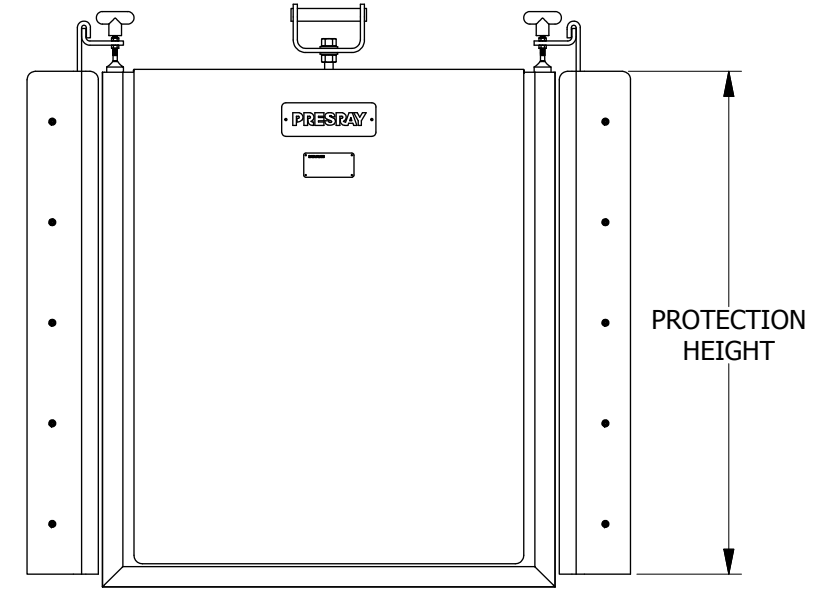
JAMB MOUNT OPTION ("L" BRACKET)



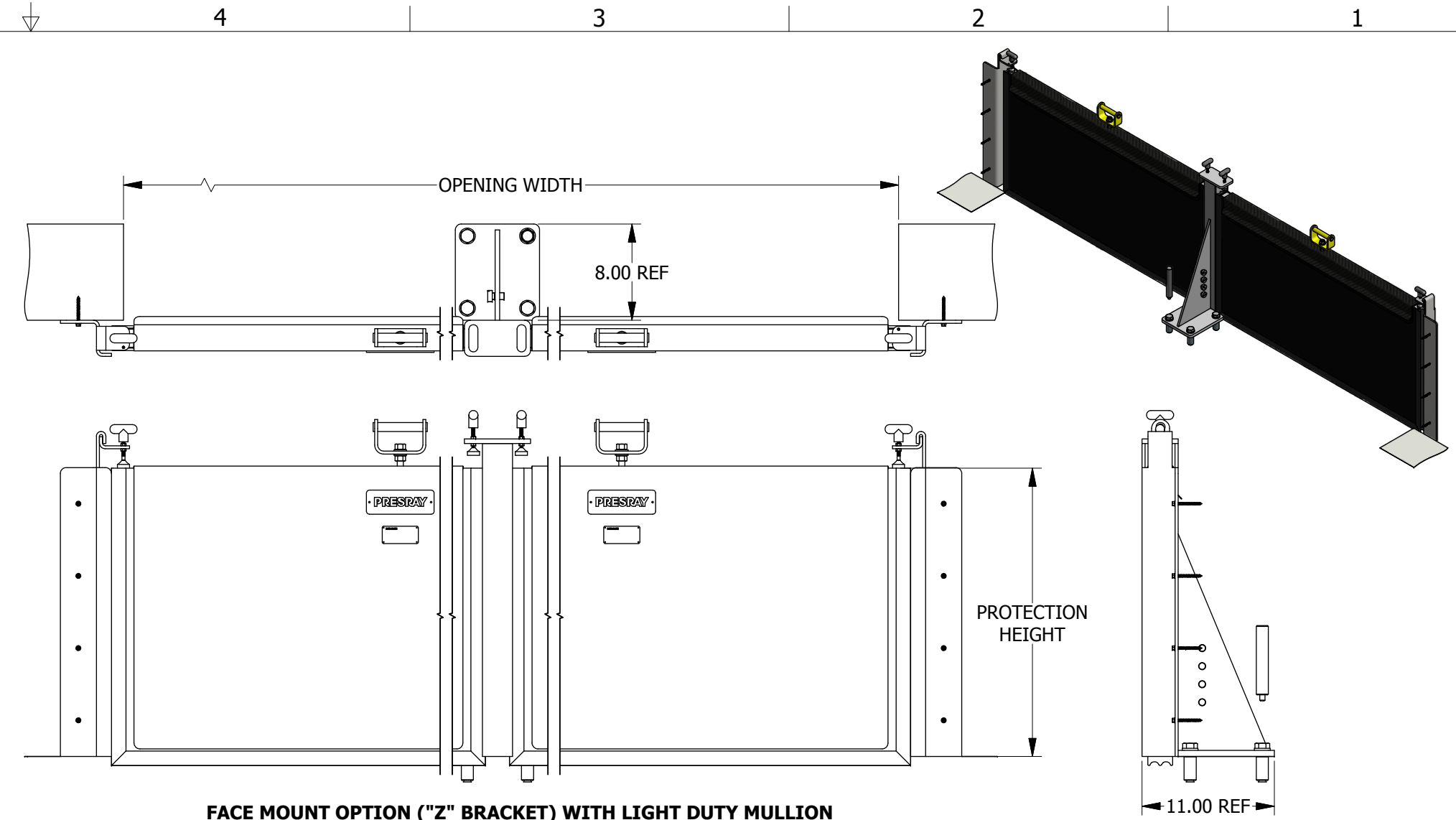
JAMB MOUNT OPTION WITH NO FRAME
(JAMB CLIP MOUNTED DIRECTLY TO WALL)



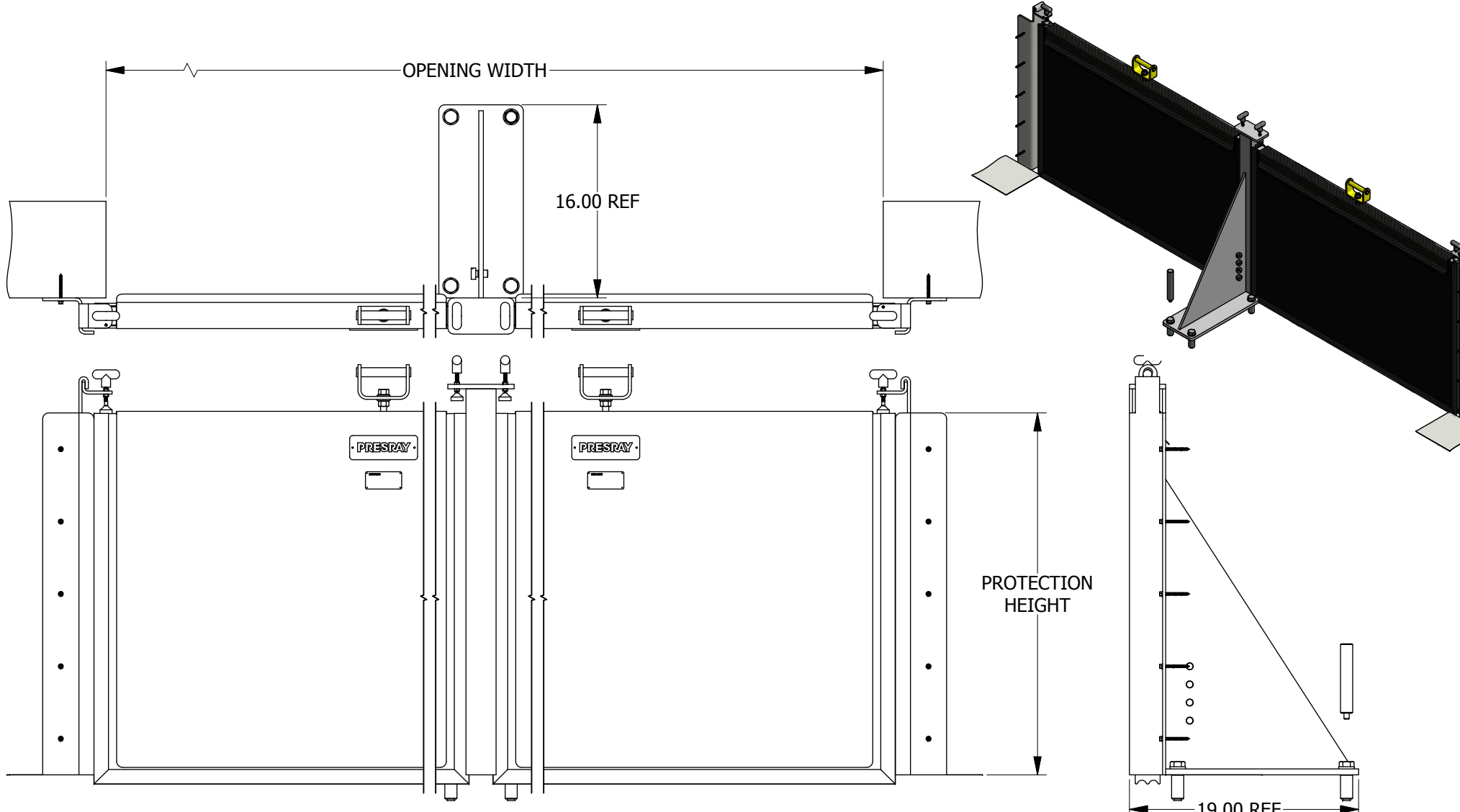
REINFORCED CORNER MOUNT OPTION ("Z" BRACKET)



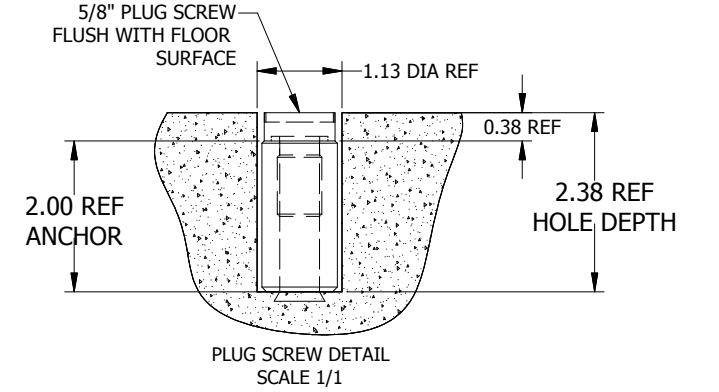
REINFORCED CORNER MOUNT OPTION ("Z" BRACKET)



FACE MOUNT OPTION ("Z" BRACKET) WITH LIGHT DUTY MULLION



FACE MOUNT OPTION ("Z" BRACKET) WITH HEAVY DUTY MULLION



PLUG SCREW DETAIL
SCALE 1/1

MULLIONS FOR STANDARD FB33 SIZES WITH HYDROSTATIC LOADING

PANEL HEIGHT (IN)	24-28	27-31	30-34	33-37	36-40	39-43	42-46	45-49	48-52
48	2	2	2	2	2				
42	2	2	2	2	2	2			
36	1	1	1	1	1	2	2	2	
30	1	1	1	1	1	1	1	1	1
24	1	1	1	1	1	1	1	1	1
18	1	1	1	1	1	1	1	1	1

1 = Standard Mullion (7.00 X 8.00 base plate)
2 = Heavy Duty Mullion (7.00 X 16.00 base plate)

FB33 TABULATED SIZES

4/4/2013

HEIGHT (IN)	24-28	27-31	30-34	33-37	36-40	39-43	42-46	45-49	48-52
48	1	2	2	2					
42	1	1	2	2	2	2			
36	1	1	1	1	2	2	2	2	
30	1	1	1	1	1	1	1	1	1
24	1	1	1	1	1	1	1	1	1
18	1	1	1	1	1	1	1	1	1

WIDTH (IN)

1 = single tube frame
2 = double tube frame

QTY	-2	-1	DETAIL	SMT	STOCK SIZE/PART NO.	MATERIAL	DESCRIPTION
<small>THIS DESIGN IS THE PROPERTY OF THE PRESRAY CORPORATION AND IS SUBMITTED IN CONFIDENCE. ALL RIGHTS RESERVED. COPYING OR REPRODUCTION EXPRESSLY PROHIBITED. ALL OR PORTIONS OF THIS DESIGN MAY BE SUBJECT TO PROPRIETARY RIGHTS.</small>							
DATE	APVD.			SCALE	DR.	DRS	THE PRESRAY CORP. PAWLING, NEW YORK
TOLERANCE UNLESS NOTED				NAME			
FRACTIONS ± 1/32				FB33 DIAGRAM			
BREAK ALL SHARP CORNERS 1/32				FB33 DIAGRAM			
DO NOT SCALE DRAWING				SHEET 1 OF 1			



FB33



Adjustable Flood Barrier with Mechanical Seals

This unique, adjustable flood barrier provides effective flood protection up to 48" in height for almost any door or other opening. The FB33 has been tested and certified by FM Approvals® and exceeds FEMA and NFIP Floodproofing Certification Standards.

Simply set the FB33 panel between pre-installed brackets, turn the handle to expand the sides of the panel, hand tighten the compression clips to create a seal against the floor surface, and walk away. It's that easy.

The FB33 features a patented design that keeps the water out, yet is lightweight and is easily deployed by one person.

A single three-foot-wide FB33 can take the place of 60 sandbags and weighs about the same as one. And, unlike sandbags, it's fast and easy to deploy.

APPLICATIONS — THE FB33 AT WORK...

The FB33 Modular Flood Barrier is perfect for doorways, loading docks, garage doors or any other openings in municipal, industrial or commercial facilities. The FB33 has also been popular for retail stores and strip malls, as, well as apartments and condominiums. If your building is seaside, or in a location prone to flooding, the FB33 may be the perfect solution.

The FB33 has gone through rigorous impact and leak testing by FM Approvals® and has proven effective and reliable in the field.

- ▶ Patented design is tough, reliable and lightweight
- ▶ Modular design allows for easy storage and deployment
- ▶ Suitable for new or existing construction
- ▶ Custom built for any sized opening
- ▶ Multiple panels can be connected with optional mullions
- ▶ Exceeds FEMA & NFIP Floodproofing Certification Standards



Size	Custom built to the width of the opening
Panel Frame	Carbon Steel mechanical tubing
Panel Envelope	Durable Neoprene
Mounting Brackets	ASTM A569 Carbon Steel (Stainless Steel optional)
Debris Guard	ASTM A569 Carbon Steel (Stainless Steel optional)
Seals	Three-comb, closed-cell foam gaskets
Hardware	Mounting anchors: Stainless Steel when applicable Optional removable mullions for multi-panel installation
Finish	Panel: high solids mastic epoxy painted Wall frame: high solids mastic epoxy painted

AVAILABLE OPTIONS

- ▶ Removable mullions to connect multiple panels for openings too wide for single panel
- ▶ Stainless Steel wall bracket

BUILT TO MEET YOUR REQUIREMENTS

The FB33 Modular Flood Barrier is custom built to the width of your opening. Depending on the specific nature of your installation, different brackets are used to mount the panel either between the door jambs, or face mounted on the outside of the opening. These steel brackets provide a smooth and strong connection to the wall of the building structure.



FOR MORE INFORMATION

845.373.6700 ■ www.presray.com ■ contact@presray.com



1. VIEW AT GRADE - REAR OF BUILDING



2. VIEW OF A DOOR AT GRADE - REAR OF BUILDING



3. VIEW AT WINDOW AT GRADE - REAR OF BUILDING



4. VIEW AT WINDOW AT GRADE - REAR OF BUILDING



5. CLOSE UP VIEW OF WINDOW AT GRADE



6. VIEW AT HARBORWALK



7. VIEW AT WINDOW AT HARBORWALK



8. VIEW AT DOOR AT HARBORWALK

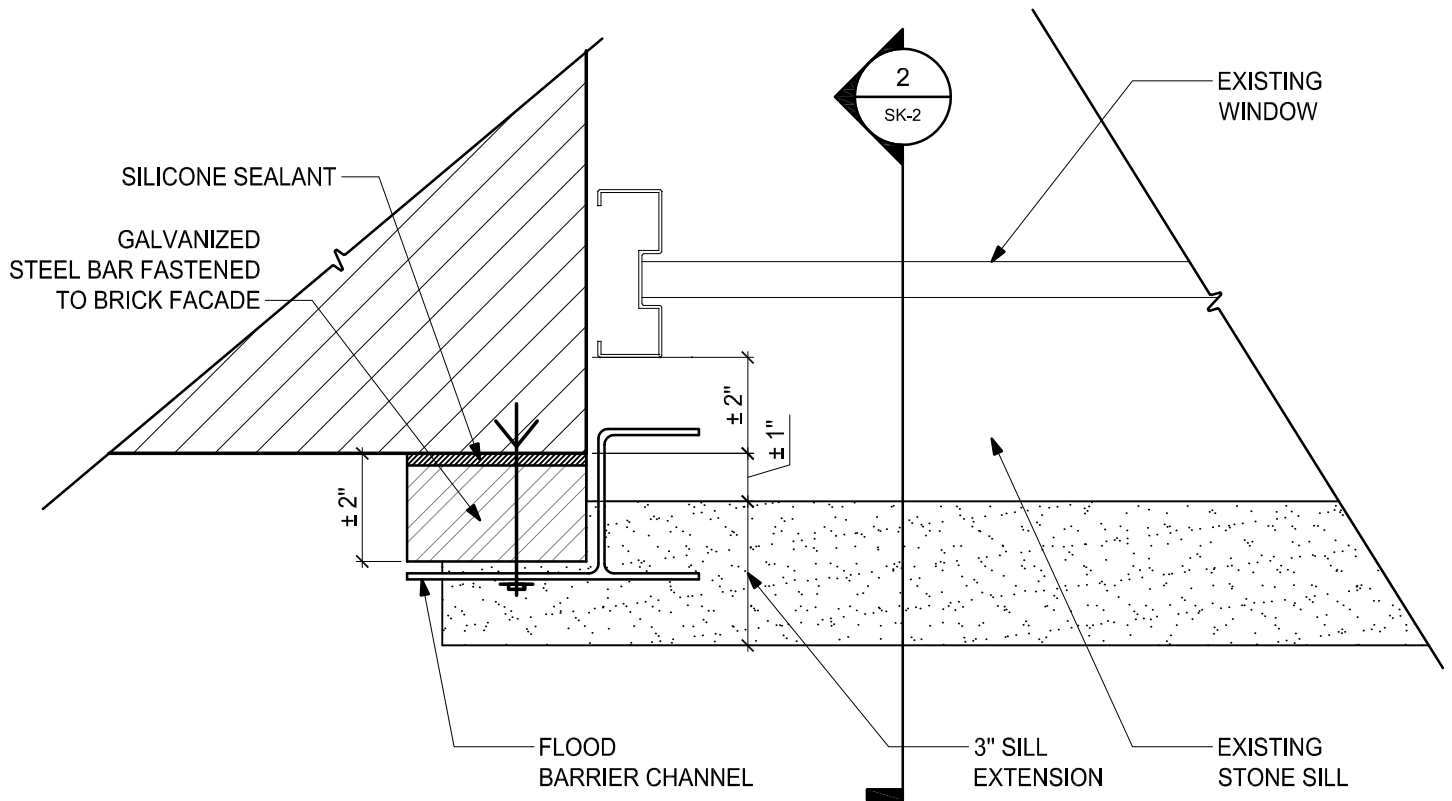


9. VIEW AT CRACK FACADE AT HARBORWALK


PRESRAY
WASSAIC, NEW YORK

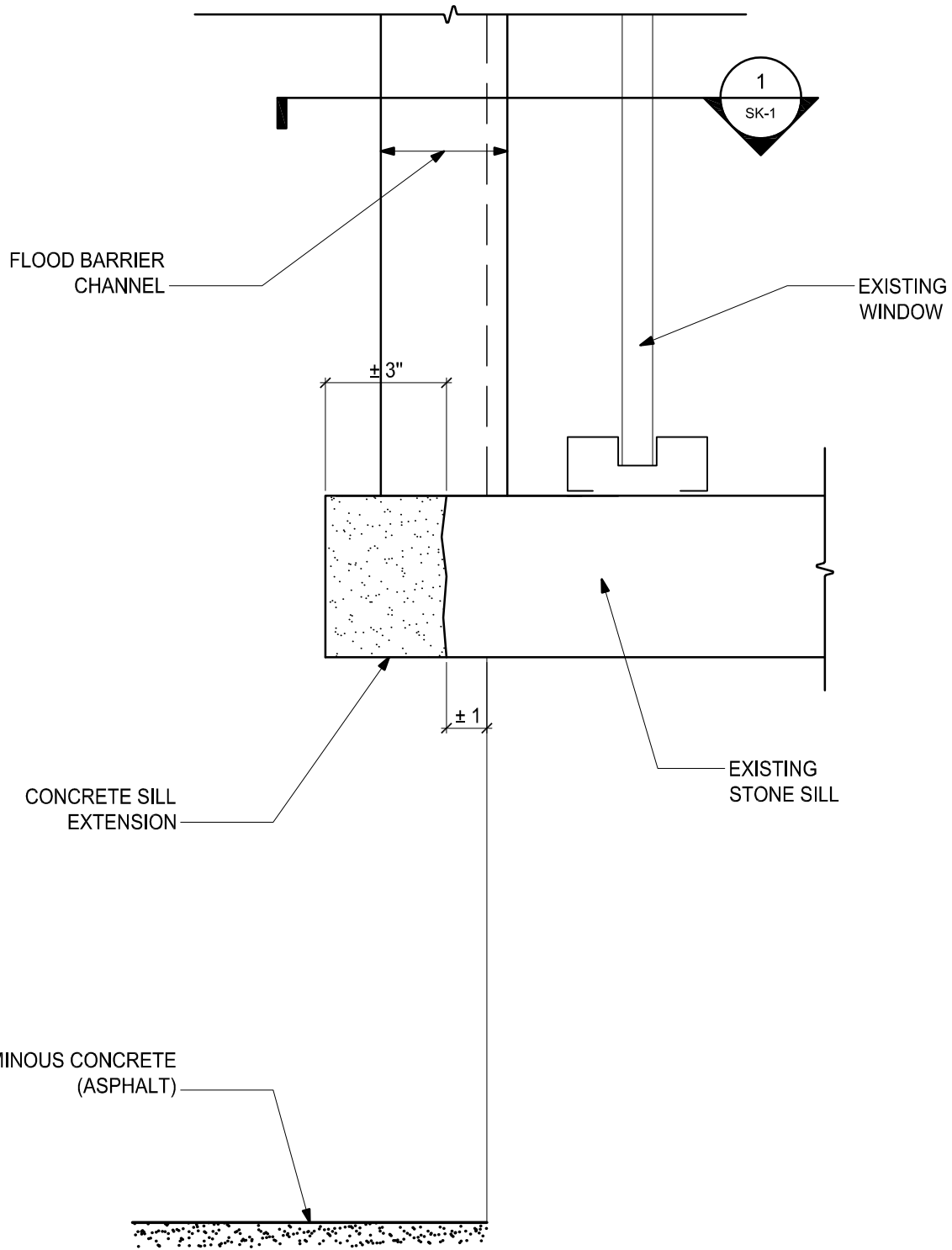
PRECISE
SERIES
SERIAL NO. 12345678
DATE 12/15/2023





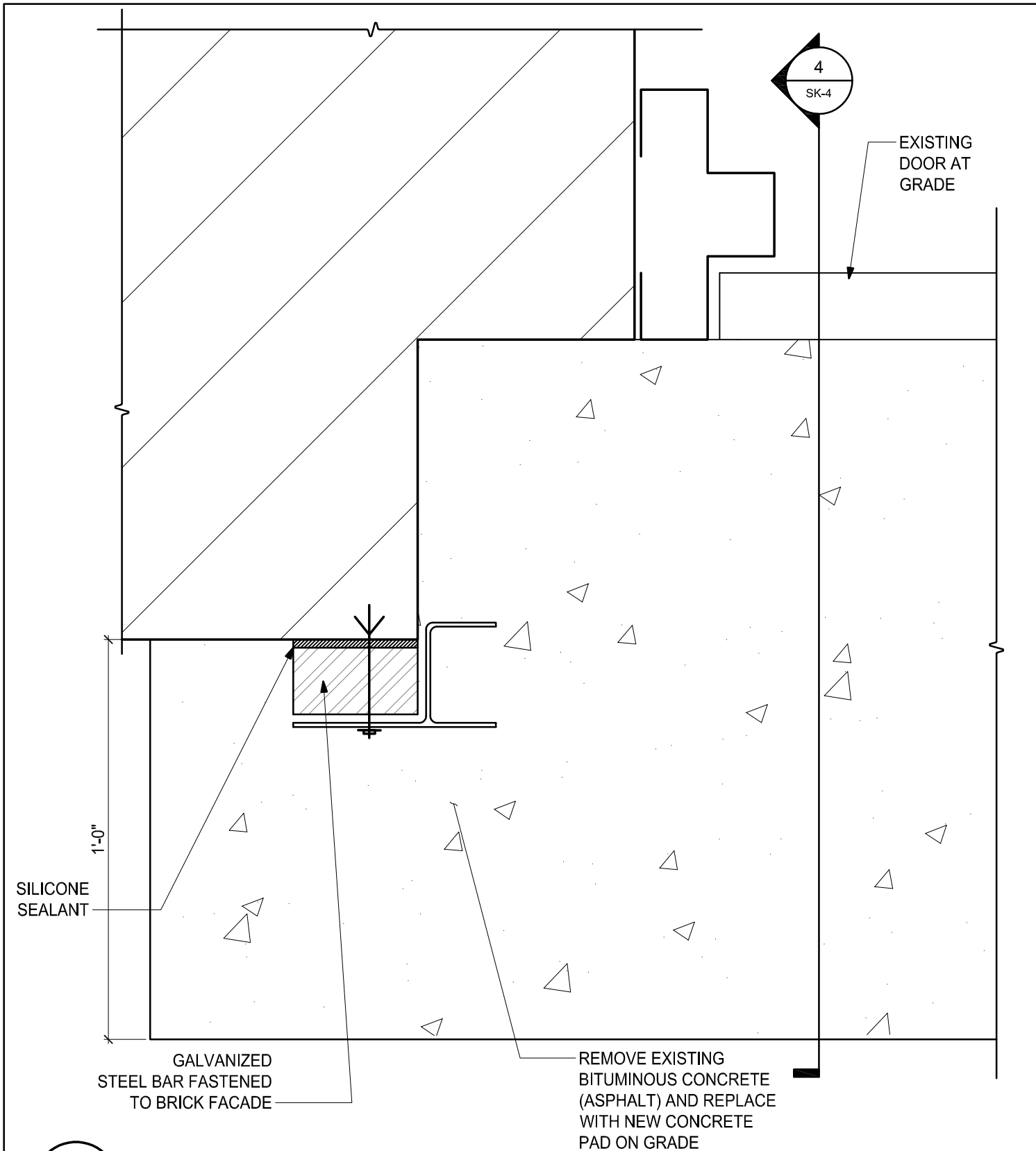
1 WINDOW JAMB SECTION
 SCALE: 3"=1'-0"

	250 DORCHESTER AVE BOSTON, MA 02127 P: (617) 268-8977 F: (617) 464-2971 www.cbiconsultingllc.com	WINDOW JAMB SECTION		DETAIL No. SK-1
	DATE 10/1/2019 NOTE	DRAWN BY BK 3" = 1'-0"	DESCRIPTION 250 SUMMER STREET FLOOD MITIGATION	
	P:\2018\CBI80589.1\AutoCAD\SHEETS\CBI80589.1 SKs.dwg Oct 02, 2019 - 10:43 am BKOCIU			



2 WINDOW JAMB SECTION
 SCALE: 3"=1'-0"


	250 DORCHESTER AVE BOSTON, MA 02127 P: (617) 268-8977 F: (617) 464-2971 www.cbiconsultingllc.com	WINDOW JAMB SECTION		DETAIL No. SK-2
	DATE 10/1/2019	DRAWN BY BK	DESCRIPTION	
	NOTE	3" = 1'-0"	250 SUMMER STREET FLOOD MITIGATION	

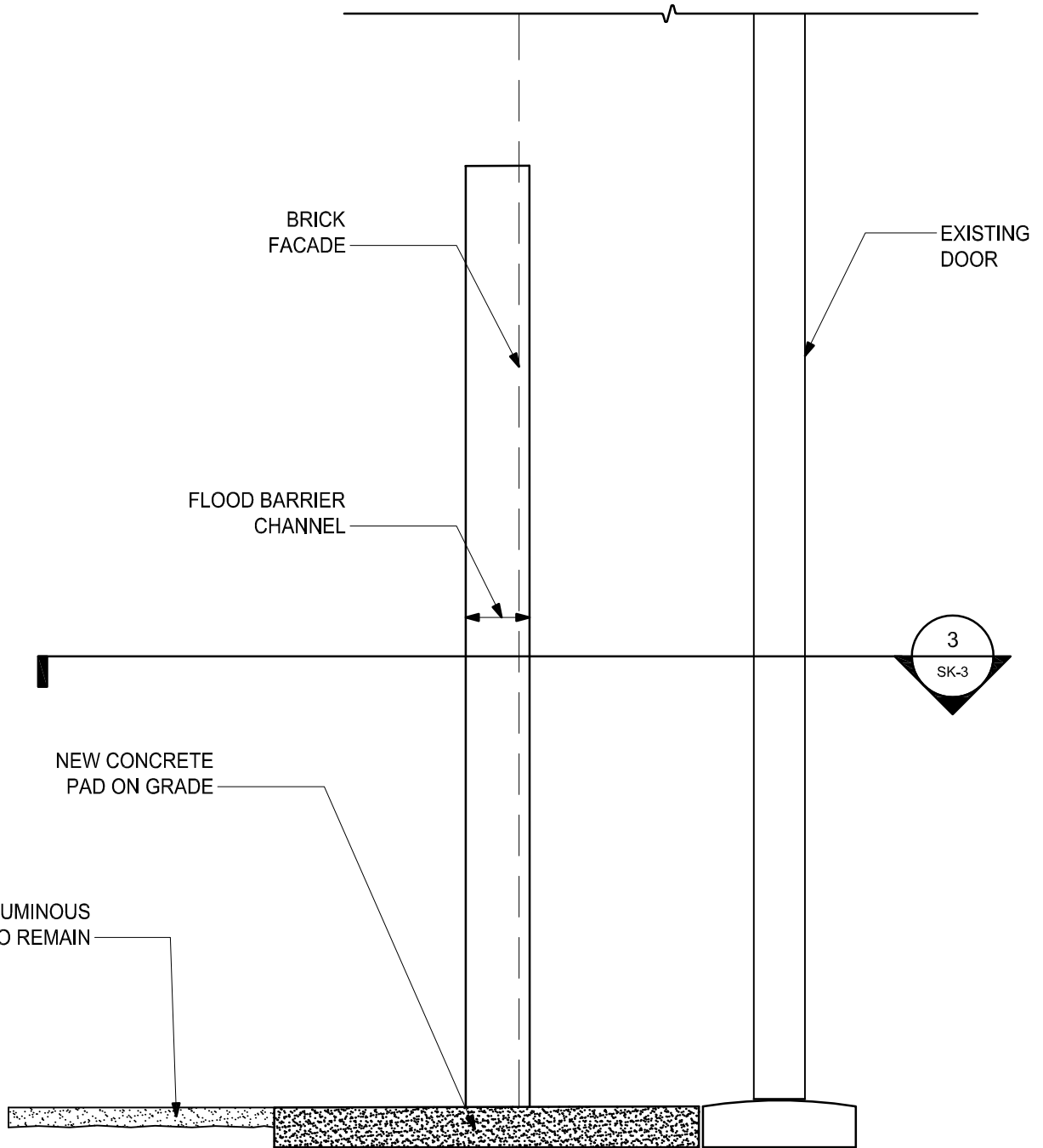


GALVANIZED STEEL BAR FASTENED TO BRICK FACADE

REMOVE EXISTING BITUMINOUS CONCRETE (ASPHALT) AND REPLACE WITH NEW CONCRETE PAD ON GRADE

3 DOOR JAMB SECTION
 SCALE: 3"=1'-0"


	250 DORCHESTER AVE BOSTON, MA 02127 P: (617) 268-8977 F: (617) 464-2971 www.cbiconsultingllc.com	DOOR JAMB SECTION		DETAIL No. SK-3
	DATE 10/1/2019	DRAWN BY BK	DESCRIPTION	
	NOTE 3" = 1'-0"		250 SUMMER STREET FLOOD MITIGATION	



4

SECTION AT DOOR THRESHOLD

SCALE: 1 1/2"=1'-0"

	250 DORCHESTER AVE BOSTON, MA 02127 P: (617) 268-8977 F: (617) 464-2971 www.cbiconsultingllc.com	SECTION AT DOOR THRESHOLD		DETAIL No. SK-4
	DATE 10/1/2019 NOTE	DRAWN BY BK 1 1/2" = 1'-0"	DESCRIPTION 250 SUMMER STREET FLOOD MITIGATION	