

FRONT ELEVATION

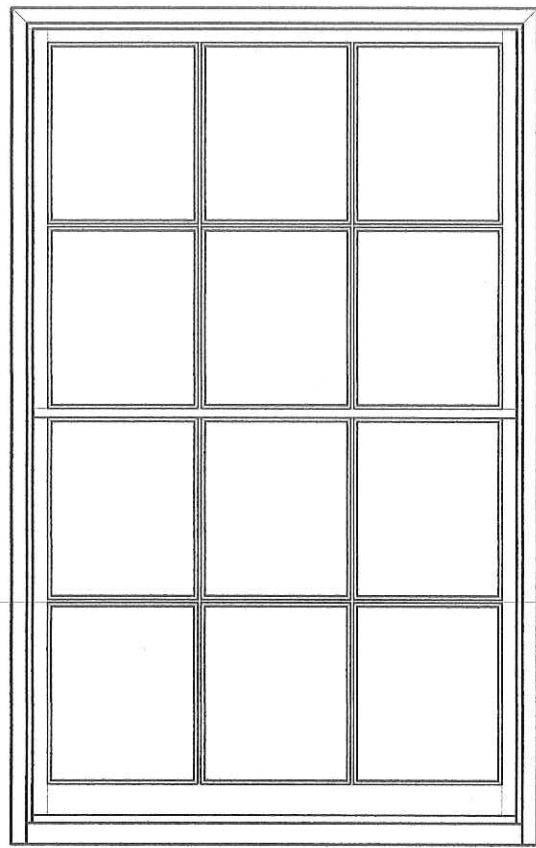
3/16" = 1'-0"

10 Walnut Street
 Beacon Hill
 Boston - 08/30/19

PROPOSED Building Elevation

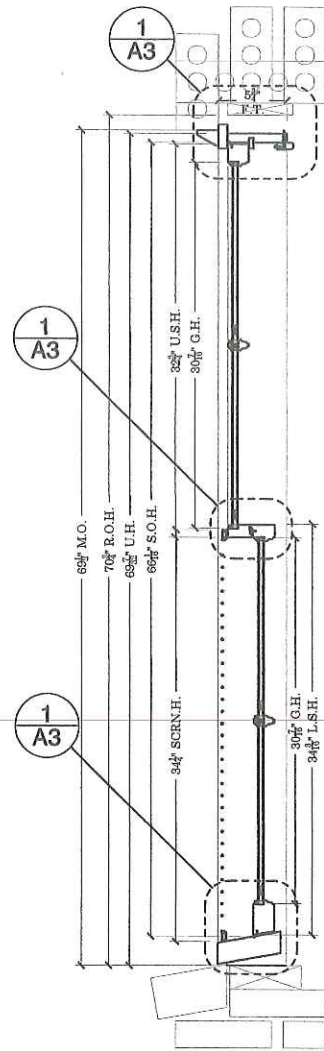
A1

Tim Sheehan, Architect
 617.241.9653
 tms1226@gmail.com

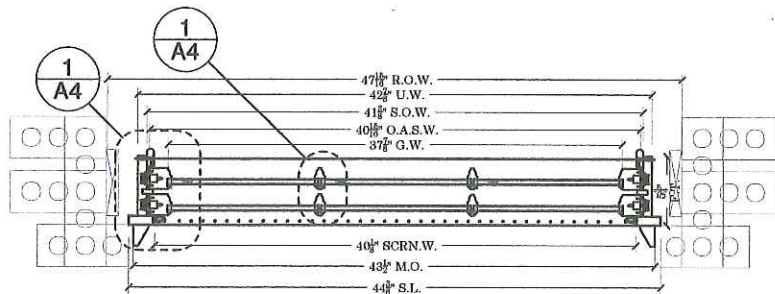


1 ELEVATION
3/4"=1'-0"

BEACON HILL M.O. UNIT
M.O. 43-1/2" X 69-1/2"



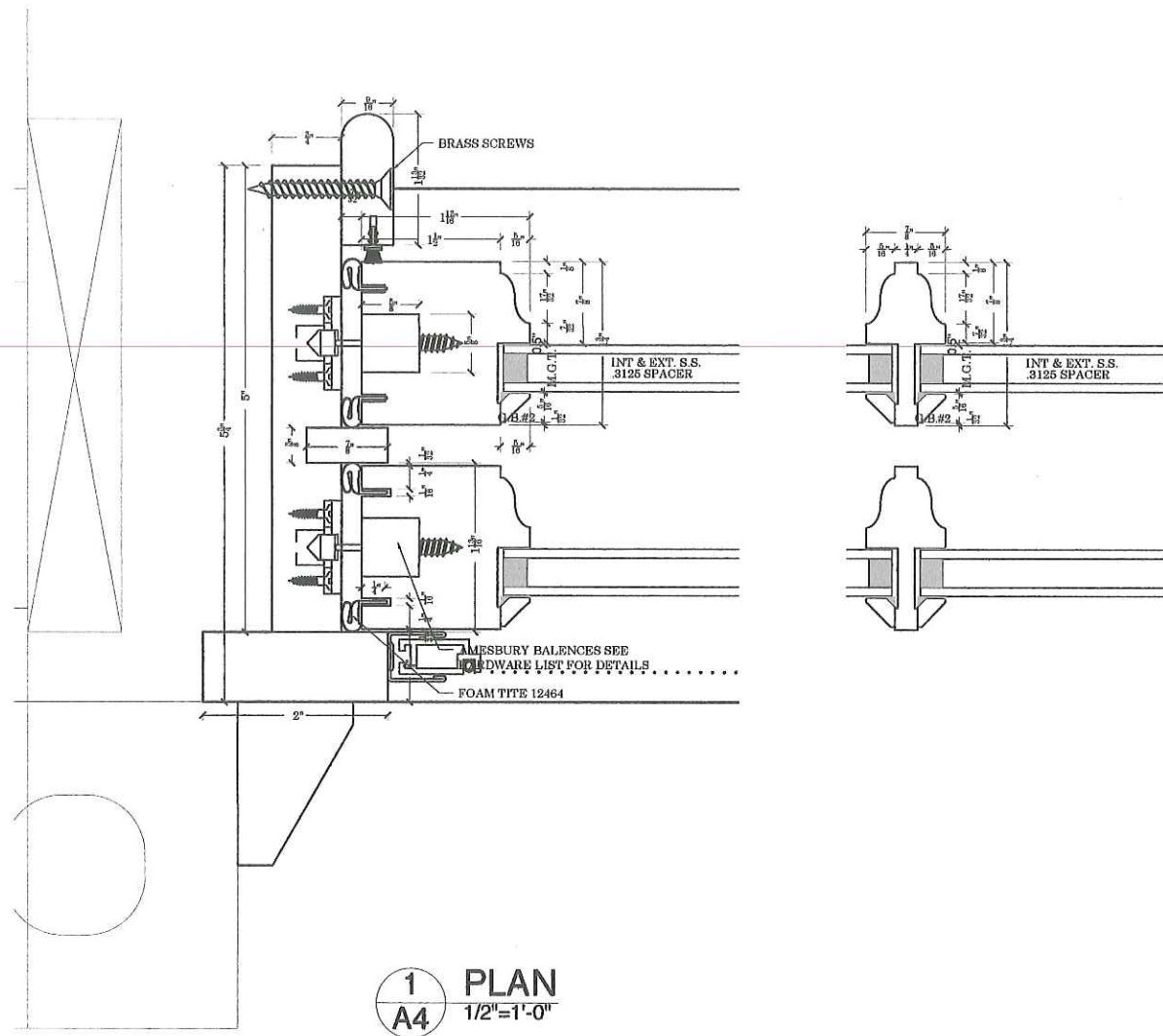
3 SECTION
3/4"=1'-0"



2 PLAN
3/4"=1'-0"

NOTES:
 Mahogany double hung windows; primed interior with Ben Moore, HC-83 'Grant Beige' semi-gloss, hand-painted exterior.
 Beige aluminum half screens at DH with charcoal fiberglass screen mesh
 Concealed black and tackle balances @ DH
 True divided lite insulated clear glass
 Interior sash stops with weatherstrip and brass screws
 Existing brick moulds to remain

A2

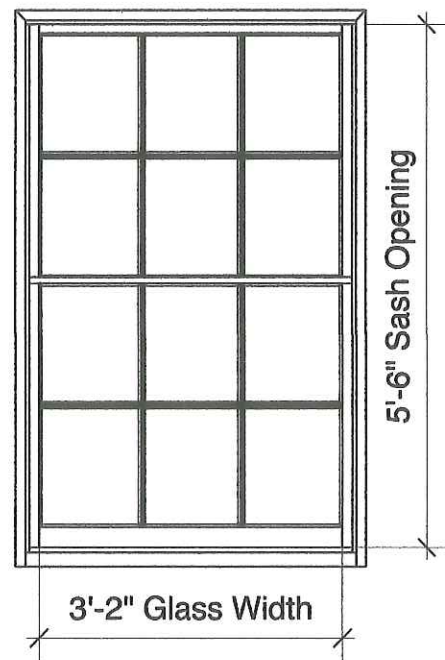


1 PLAN
A4 1/2"=1'-0"

10 Walnut Street
Beacon Hill
Boston - 08/30/19

Proposed Double Hung Window Shop Drawings
Details

A4
Tim Sheehan, Architect
617.241.9653
tms1226@gmail.com



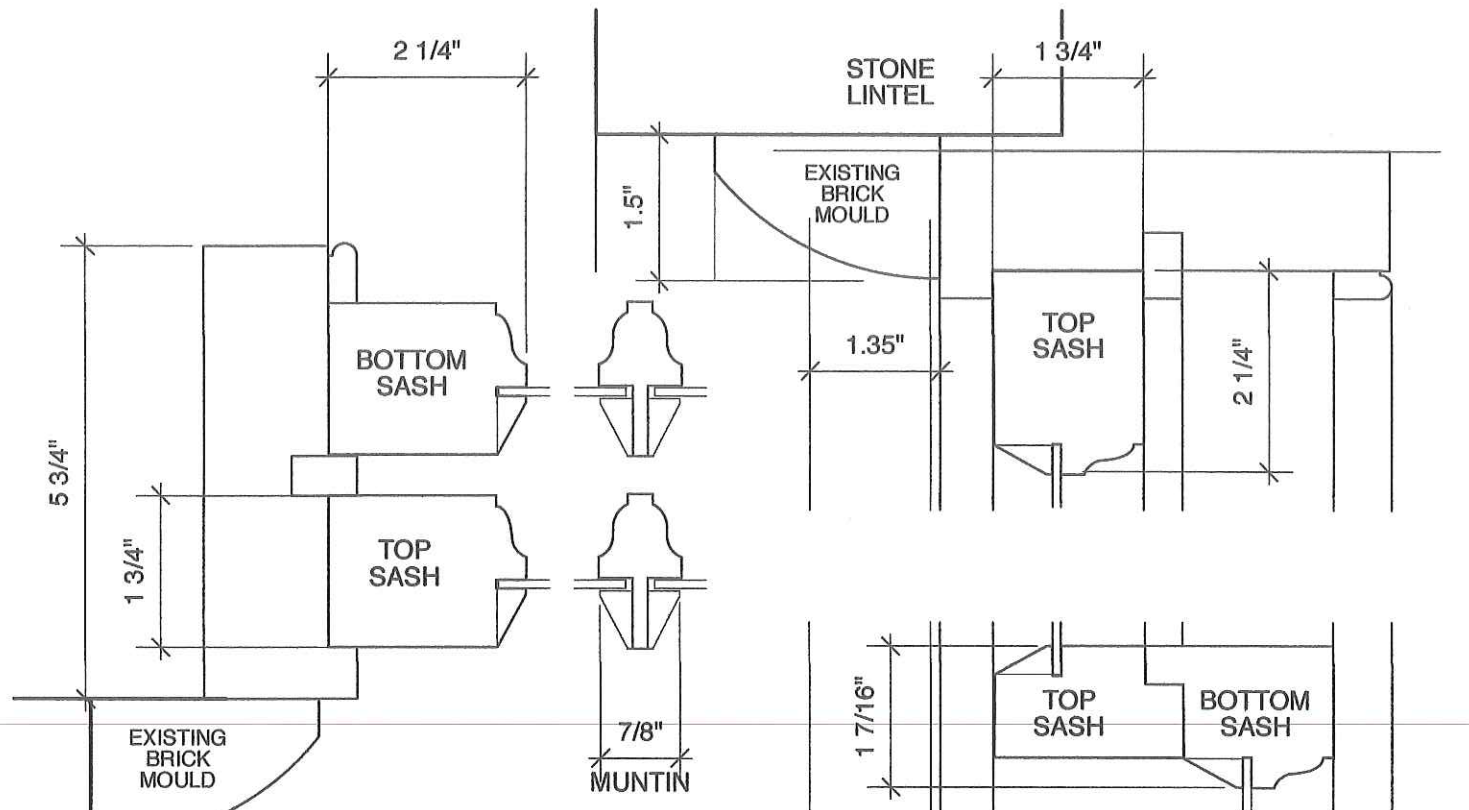
Window A-1

Qty:14

EXISTING WOOD WINDOW SPEC

- 1 3/4" thick hardwood sash
- Clear glass
- True divided lights (TDL)
- 7/8" muntin bars
- Double Hung
- 4 9/16" jambs
- 6 over 6 except Bay
- 3/4" x 2" flat casing.
- Existing brick mould to remain
- 3/8" depth on exterior of muntins

EX1

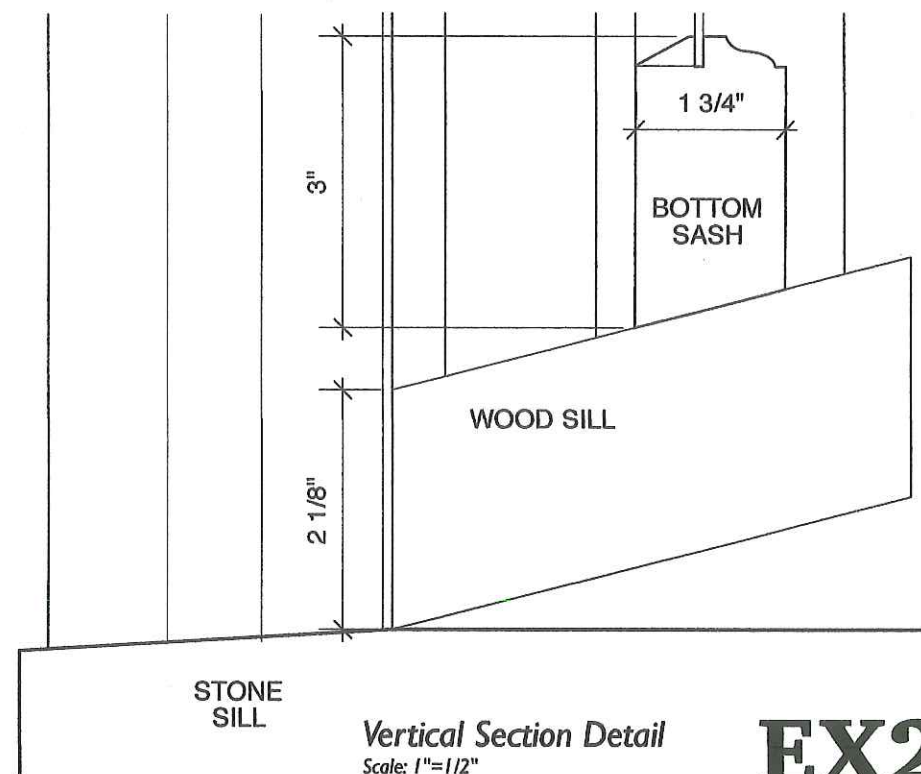


Horizontal Section Detail

Scale: 1"=1/2"

EXISTING WOOD WINDOW SPEC

- 1 3/4" thick hardwood sash
- Clear glass
- True divided lights (TDL)
- 7/8" muntin bars
- Double Hung
- 4 9/16" jambs
- 6 over 6 except Bay
- 3/4" x 2" flat casing.
- Existing brick mould to remain
- 3/8" depth on exterior of muntins



Vertical Section Detail

Scale: 1"=1/2"

EX2















Figure 1: A close-up view of a concrete surface showing significant damage, including a large crack and exposed rebar, likely due to a vehicle impact.

10 WALNUT ST.



BELLS PBA-AC & MBA-DC



UL, ULC, and FM Approved
Sizes Available: 6" (150mm), 8" (200mm) and 10" (250mm)
Voltages Available: 24VAC
120VAC
12VDC (10.2 to 15.6) Polarized
24VDC (20.4 to 31.2) Polarized

Service Use: Fire Alarm
General Signaling
Burglar Alarm
Environment: Indoor or outdoor use (See Note 1)
-40° to 150°F (-40° to 66°C)
(Outdoor use requires weatherproof backbox.)

Termination: AC Bells - 4 No. 18 AWG stranded wires
DC Bells - Terminal strip

Finish: Red powder coating
Optional: Model BBK-1 weatherproof backbox
Model BBX-1 deep weatherproof backbox

These vibrating type bells are designed for use as fire, burglar or general signaling devices. They have low power consumption and high decibel ratings. The unit mounts on a standard 4" (101mm) square electrical box for indoor use or on a model BBK-1 weatherproof backbox or BBX-1 deep weatherproof backbox for outdoor applications. Weatherproof backbox model BBK-1, Stock No. 1500001.

- Notes:**
1. Minimum dB ratings are calculated from integrated sound pressure measurements made at Underwriters Laboratories as specified in UL Standard 464. UL temperature range is -30° to 150°F (-34° to 66°C).
 2. Typical dB ratings are calculated from measurements made with a conventional sound level meter and are indicative of output levels in an actual installation.
 3. ULC only applies to MBA DC bells.

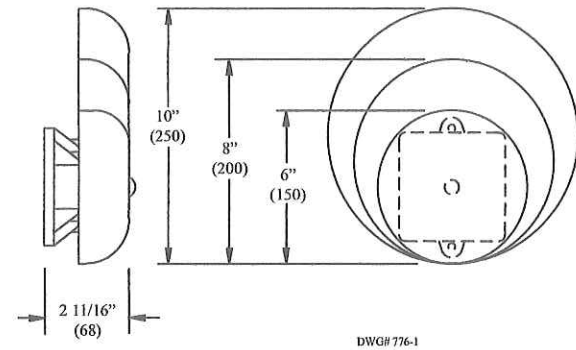
Size inches (mm)	Voltage	Model Number	Stock Number	Current (Max.)	Typical dB at 10 ft. (3m) (2)	Minimum dB at 10 ft. (3m) (1)
6 (150)	12VDC	MBA-6-12	1750070	.12A	85	76
8 (200)	12VDC	MBA-8-12	1750080	.12A	90	77
10 (250)	12VDC	MBA-10-12	1750060	.12A	92	78
6 (150)	24VDC	MBA-6-24	1750100	.06A	87	77
8 (200)	24VDC	MBA-8-24	1750110	.06A	91	79
10 (250)	24VDC	MBA-10-24	1750090	.06A	94	80
6 (150)	24VAC	PBA246	1806024*	.17A	91	78
8 (200)	24VAC	PBA248	1808024*	.17A	94	77
10 (250)	24VAC	PBA2410	1810024*	.17A	94	78
6 (150)	120VAC	PBA1206	1806120*	.05A	92	83
8 (200)	120VAC	PBA1208	1808120*	.05A	99	84
10 (250)	120VAC	PBA12010	1810120*	.05A	99	86

All DC bells are polarized and have built-in transient protection.
* Does not have ULC listing.

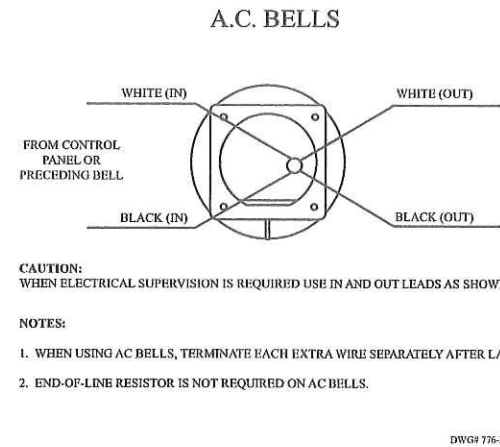
WARNING

In outdoor or wet installations, bell must be mounted with weatherproof backbox, BBK-1 or BBX-1. Standard electrical boxes will not provide a weatherproof enclosure. If the bell and/or assembly is exposed to moisture, it may fail or create an electrical hazard.

Bells Dimensions Inches (mm)
Fig. 1

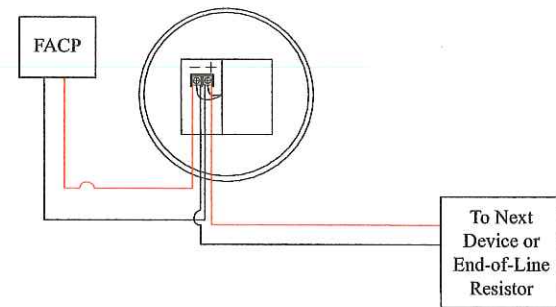
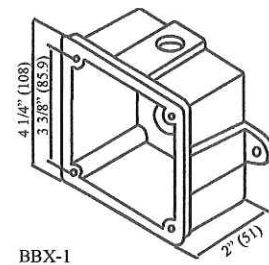
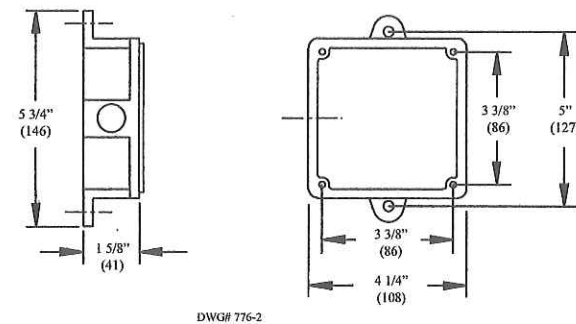


Wiring (rear view)
Fig. 3



Weatherproof Backbox Dimensions Inches (mm)
Fig. 2

Box has one threaded 1/2" conduit entrance



Installation

1. The bell shall be installed in accordance with NFPA 13, 72, or local AHJ. The top of the device shall be no less than 90" AFF and not less than 6" below the ceiling.
2. Remove the gong.
3. Connect wiring (see Fig. 3).
4. Mount bell mechanism to backbox (bell mechanism must be mounted with the striker pointing down).
5. Reinstall the gong (be sure that the gong positioning pin, in the mechanism housing, is in the hole in the gong).
6. Test all bells for proper operation and observe that they can be heard where required (bells must be heard in all areas as designated by the authority having jurisdiction).

WARNING
Failure to install striker down will prevent bell from operating.

10 WALNUT ST.



Outdoor Selectable-Output Horns, Strobes, and Horn Strobes for Wall Applications

SpectrAlert® Advance outdoor audible visible products are rich with features that cut installation times and maximize profits.

Features

- Weatherproof per NEMA 4X, IP56
- Listed to UL 1638 (strobe) and UL 464 (horn)
- Compatible with System Sensor synchronization protocol and legacy SpectrAlert products
- Field-selectable candela settings: 15, 15/75, 30, 75, 95, 110, 115, 135, 150, 177, and 185
- Automatic selection of 12- or 24-volt operation at 15 and 15/75 candela
- Rotary switch for horn tone and three volume selections
- Horn rated at 88+ dBA at 16 volts
- Rated from -40°F to 151°F
- Universal mounting plate with an onboard shorting spring that tests wiring continuity before devices are installed
- Plug-in design with minimal intrusion into the back box
- Tamper-resistant construction
- Listed for ceiling or wall mounting

Agency Listings



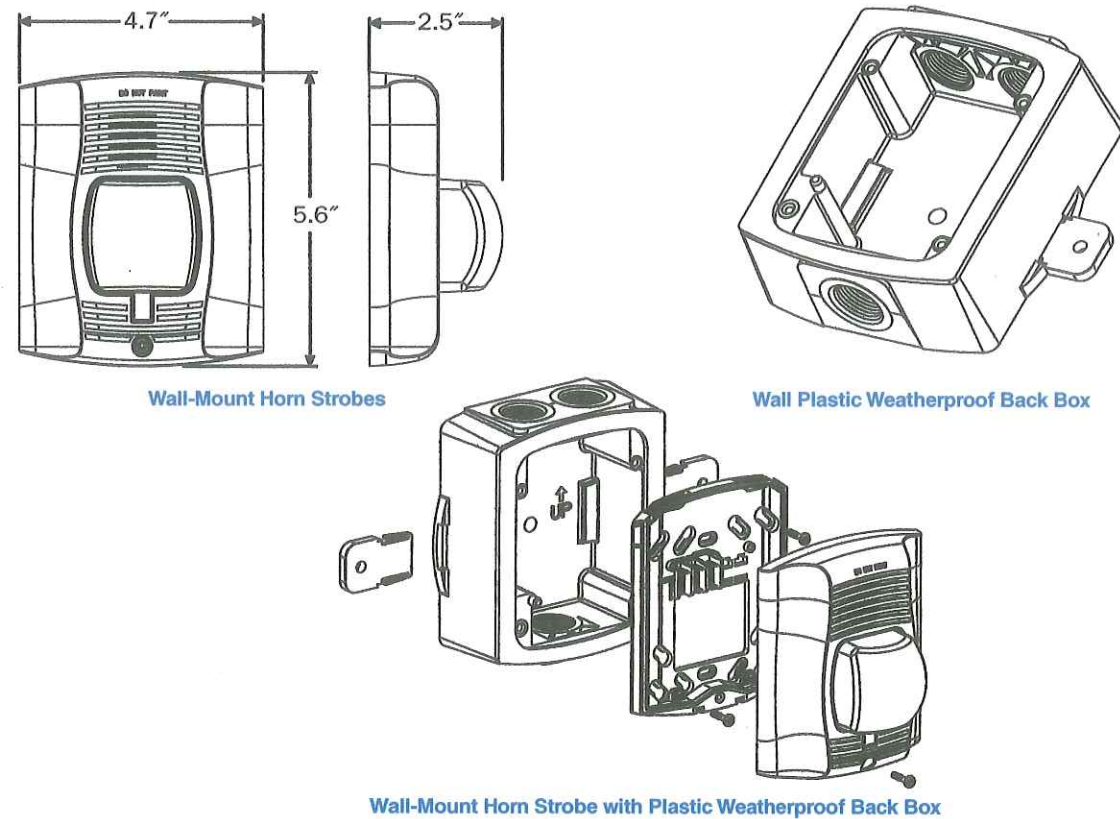
SpectrAlert Advance offers the broadest line of outdoor horns, strobes, and horn strobes in the industry. With white or red plastic housings, wall or ceiling mounting options, and plain or FIRE-printed devices, SpectrAlert Advance can meet virtually any application requirement, including indoor, outdoor, wet, and dry applications in temperatures from -40°F to 151°F.

Like the entire SpectrAlert Advance line, outdoor horns, strobes, and horn strobes for wall applications include a variety of features that increase application flexibility and simplify installation. First, field-selectable settings, including candela, automatic selection of 12- or 24-volt operation, horn tones, and three volume options enable installers to easily adapt devices to meet requirements.

Next, SpectrAlert Advance devices use a universal mounting plate for both wall and ceiling applications. This mounting plate includes an onboard shorting spring that ensures wiring continuity before devices are installed, so installers can verify proper wiring without mounting the devices and exposing them to potential construction damage. Once the plates are mounted, all SpectrAlert Advance devices utilize a plug-in design with a single captured screw to speed installation and virtually eliminate costly ground faults.

Outdoor devices ship with weatherproof plastic back boxes (metal back boxes are available separately) that accommodate in-and-out wiring for daisy chaining devices. Plastic back boxes feature removable side flanges and improved resistance to saltwater corrosion. Knock-outs located on the back eliminate the need to drill holes for screw-in mounting. Plastic and metal weatherproof back boxes come with 3/4-inch top and bottom conduit entries and 3/4-inch knock-outs at the back. A screw-in NPT plug with an O-ring gasket for a watertight seal is included with each back box.

SpectrAlert Advance Diagrams



Wall-Mount Horn Strobes

Wall Plastic Weatherproof Back Box

Wall-Mount Horn Strobe with Plastic Weatherproof Back Box

SpectrAlert Advance Ordering Information

Model	Description
Wall Horn Strobes	
P2RK ^{††}	2-Wire Horn Strobe, Standard cd, Red, Outdoor (includes plastic weatherproof back box)
P2RHK ^{††}	2-Wire Horn Strobe, High cd, Red, Outdoor (includes plastic weatherproof back box)
P2WK ^{††}	2-Wire Horn Strobe, Standard cd, White, Outdoor (includes plastic weatherproof back box)
P2WHK ^{††}	2-Wire Horn Strobe, High cd, White, Outdoor (includes plastic weatherproof back box)
P4RK [†]	4-Wire Horn Strobe, Standard cd, Red, Outdoor (includes plastic weatherproof back box)
P4WK	4-Wire Horn Strobe, Standard cd, White, Outdoor (includes plastic weatherproof back box)
P2RHK-120	2-Wire Horn Strobe, High cd, Red, Outdoor, 120 V (includes plastic weatherproof back box)
Wall Strobes	
SRK ^{††}	Strobe, Standard cd, Red, Outdoor (includes plastic weatherproof back box)
SRHK ^{††}	Strobe, High cd, Red, Outdoor (includes plastic weatherproof back box)
SWK ^{††}	Strobe, Standard cd, White, Outdoor (includes plastic weatherproof back box)
SWHK ^{††}	Strobe, High cd, White, Outdoor (includes plastic weatherproof back box)
Horns	
HRK [†]	Horn, Red, Outdoor (includes plastic weatherproof back box)
Accessories	
SA-WBB	Red, Metal Weatherproof Back Box
SA-WBBW	White, Metal Weatherproof Back Box

Notes:

* Add "-P" to model number for plain housing (no "FIRE" marking on cover), e.g., P2RK-P.

† Add "-R" to model number for weatherproof replacement device (no back box included), only for use with weatherproof outdoor flush mounting plate, WTP and WTPW.

"Standard cd" refers to strobes that include 15, 15/75, 30, 75, 95, 110, and 115 candela settings. "High cd" refers to strobes that include 135, 150, 177, and 185 candela settings. **When replacing standard outdoor units both the device and back box must be replaced.**



3825 Ohio Avenue • St. Charles, IL 60174
Phone: 800-SENSOR2 • Fax: 630-377-6495

©2012 System Sensor.
Product specifications subject to change without notice. Visit systemsensor.com
for current product information, including the latest version of this data sheet.
AVDS01201 • 3/12



10 WALNUT ST.



Single Inlet FDC

Used to provide supplemental water to a building's fire protection system.

Features a round, flush type appearance and unobstructed waterway.

All units come complete with wall plate and plug & chain.

Part Number	Size & Configuration	Finish
FDC111-01	1½" F NPT x 1½" F NST Swivel	Rough Brass
FDC111-02	1½" F NPT x 1½" F NPSH Swivel	Rough Brass
FDC111-04	2½" F NPT x 2½" F NST Swivel	Rough Brass
FDC111-06	2½" F NPT x 2½" F NST Swivel	Polished Chrome

