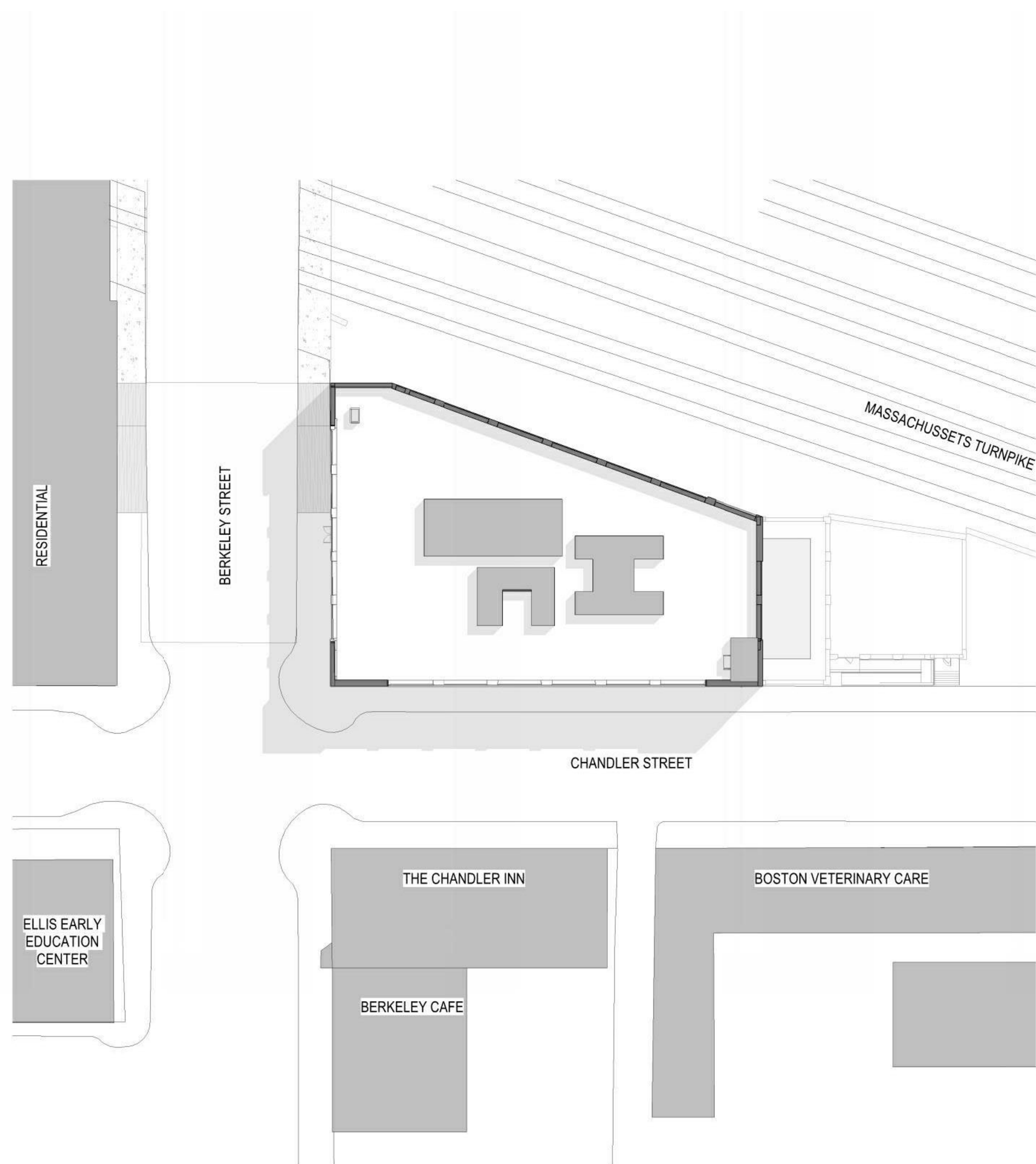


95 BERKELEY STREET BOSTON, MASSACHUSETTS 02116

ISSUED FOR SOUTH END LANDMARKS COMMISSION REVIEW AND APPROVAL
JULY 30, 2019



PRECINCT PLAN

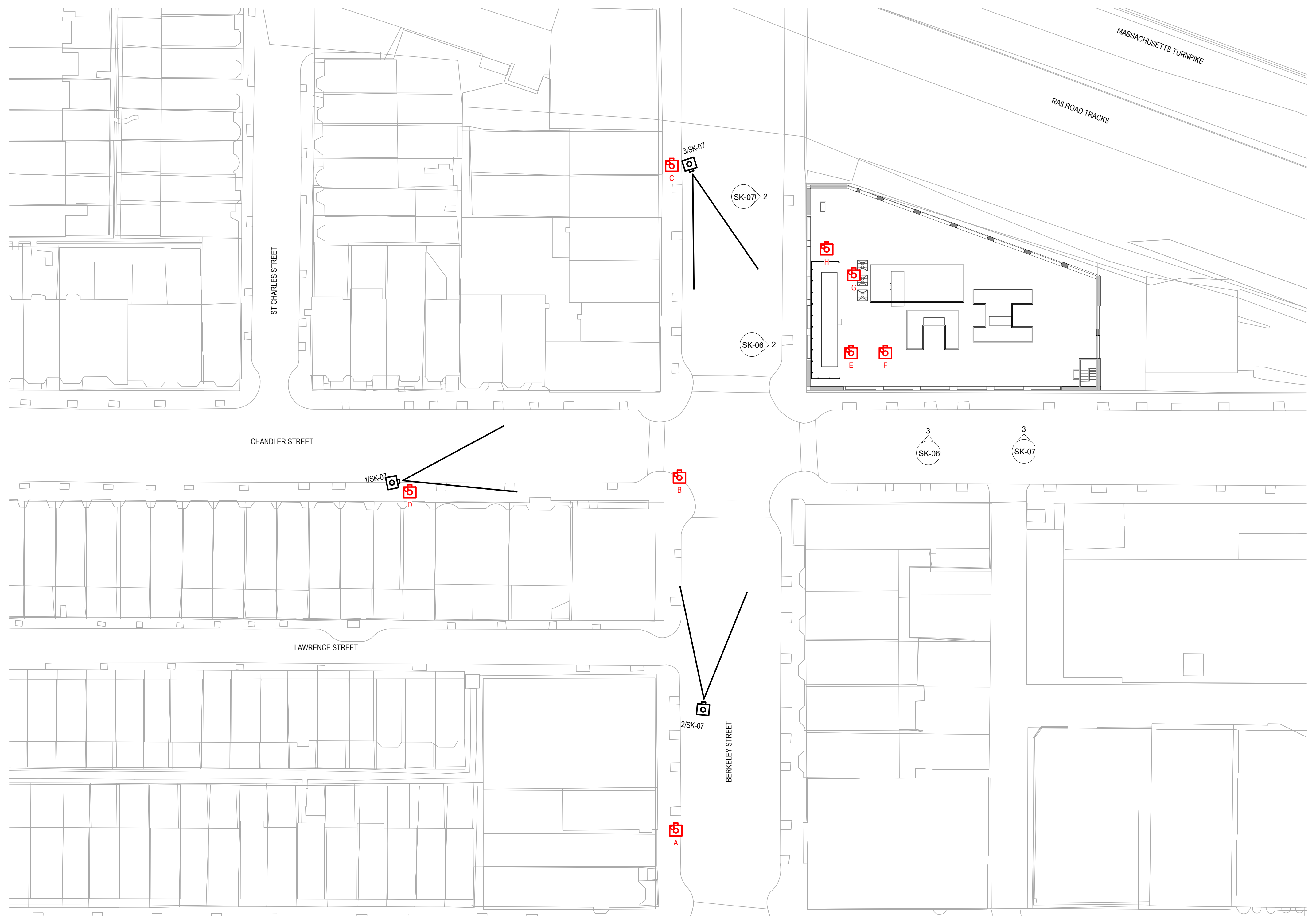


VIEW FROM BERKELEY STREET

Bergmeyer

Architecture and Interiors
Bergmeyer Architectural P.C.
51 Sleeper Street
Boston, MA 02210
Phone 617 542 1025
Fax 617 542 1026
www.bergmeyer.com

© Copyright 2019 Bergmeyer
Associates, Inc.



Bergmeyer SITE PLAN - ELEVATION/SECTION AND PHOTO KEY

WEWORK 95 BERKELEY STREET FLOORS 1-6
 95 BERKELEY STREET
 BOSTON, MASSACHUSETTS 02116

Bergmeyer Associates, Inc.
 51 Sleeper Street
 Boston, MA 02210
 Phone 617 542 1025
 Fax 617 542 1026

JOB #: 18187.00
 SCALE: 1/32" = 1'-0"
 DATE: 07/16/2019
 DWN BY: PC
 CROSS REF:

SK-02



A: VIEW FROM BERKELEY STREET



B: VIEW FROM INTERSECTION OF BERKELEY AND CHANDLER



A: VIEW FROM BERKELEY STREET ENLARGED



B: VIEW FROM INTERSECTION OF BERKELEY AND CHANDLER ENLARGED



D: VIEW FROM CHANDLER STREET



C: VIEW FROM BERKELEY STREET



D: VIEW FROM CHANDLER STREET - ENLARGED



C: VIEW FROM BERKELEY STREET - ENLARGED



E: VIEW FROM PROPOSED UNIT LOOKING TOWARDS BACKBAY



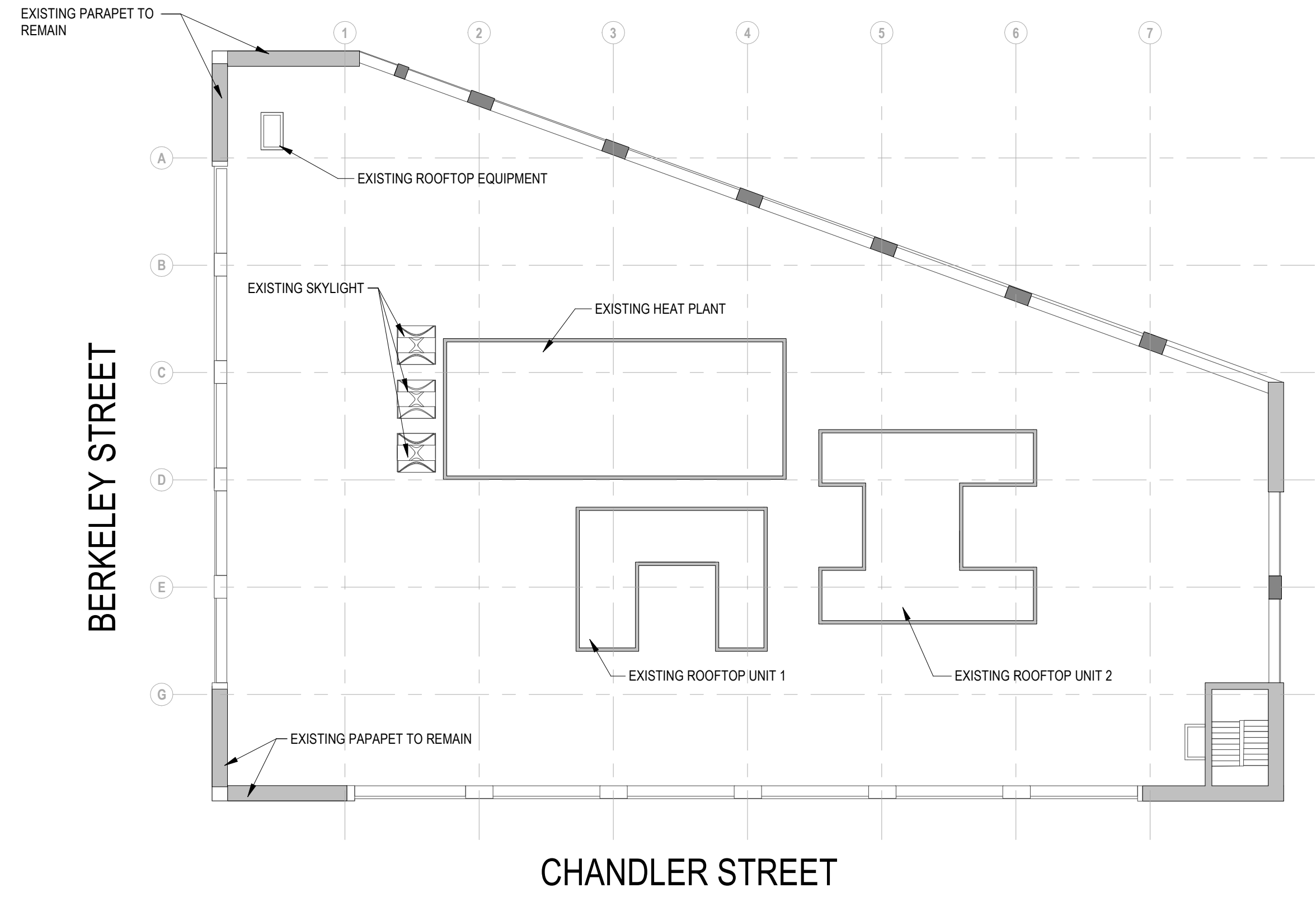
G: VIEW FROM HEAT PLANT LOOKING TOWARDS PROPOSED UNIT



F: PROPOSED UNIT LOCATION LOOKING TOWARDS BACKBAY



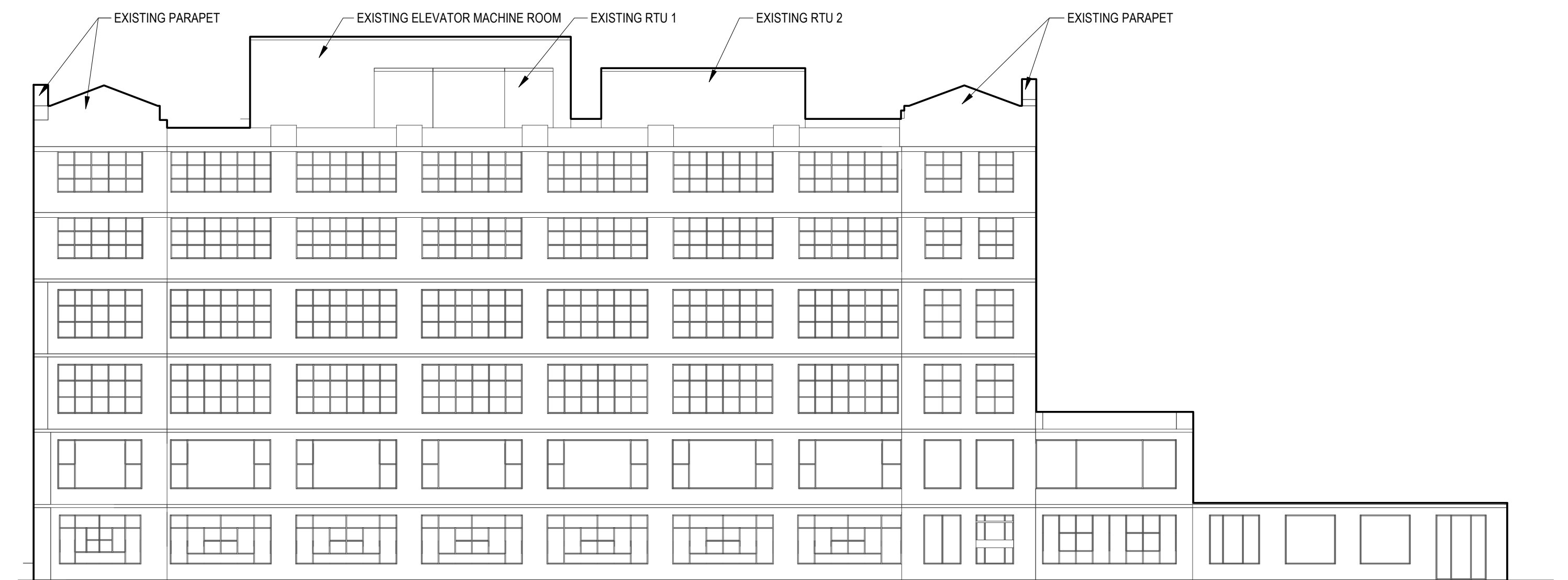
H: UNIT CORNER



1 EXISTING ROOF PLAN



2 EXISTING ELEVATION - WEST - BERKELEY STREET



3 EXISTING ELEVATION - SOUTH - CHANDLER STREET

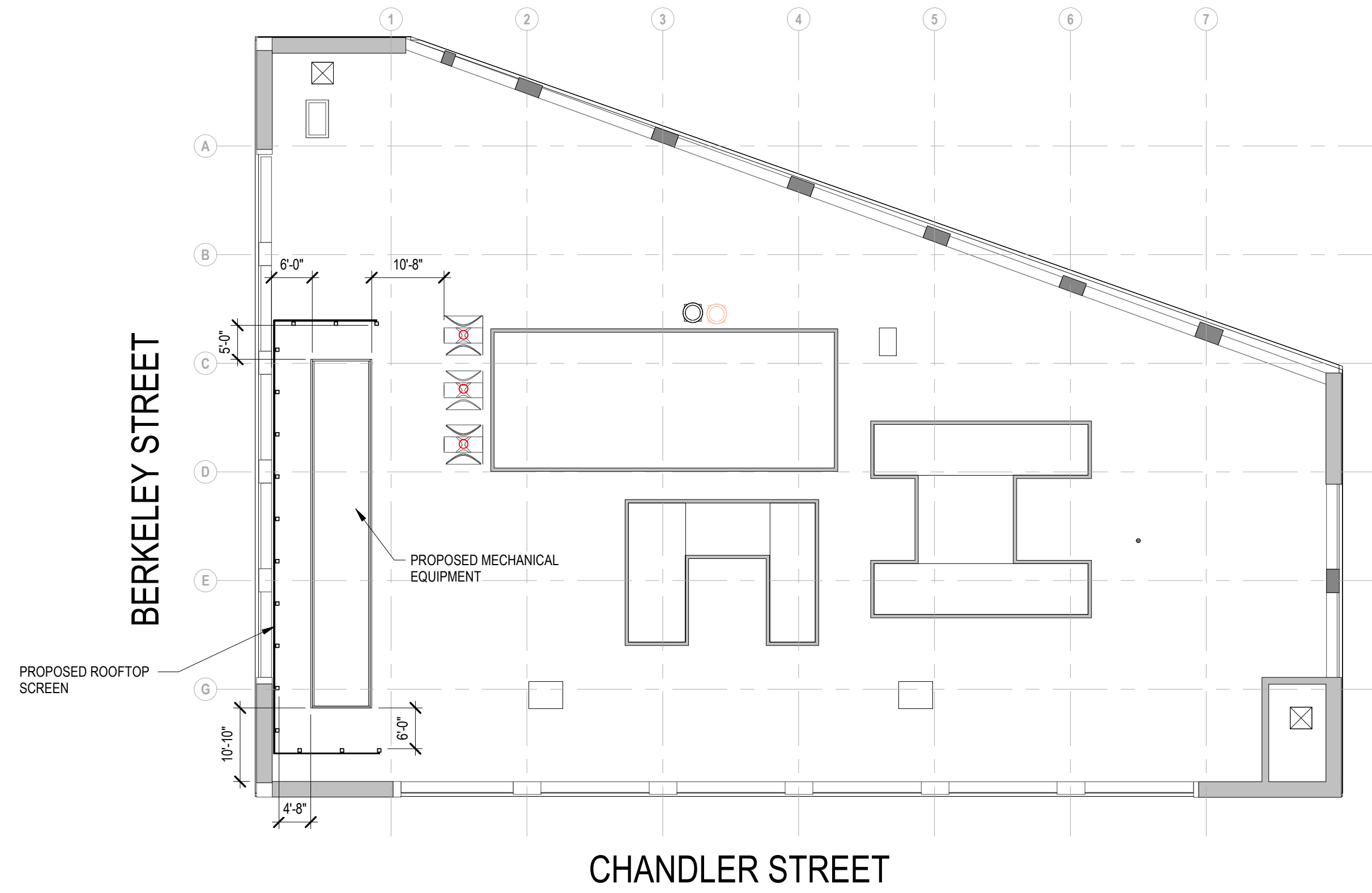
Bergmeyer EXISTING ROOF PLAN AND ELEVATIONS

Bergmeyer Associates, Inc.
 51 Sleeper Street
 Boston, MA 02210
 Phone 617 542 1025
 Fax 617 542 1026

WEWORK 95 BERKELEY STREET FLOORS 1-6
 95 BERKELEY STREET
 BOSTON, MASSACHUSETTS 02116

JOB #: 18187.00
 SCALE: 1/16" = 1'-0"
 DATE: 07/30/2019
 DWN BY: PC
 CROSS REF:

SK-06



1 PROPOSED ROOF PLAN



2 PROPOSED ELEVATION - WEST - BERKELEY STREET



3 PROPOSED ELEVATION - SOUTH - CHANDLER STREET

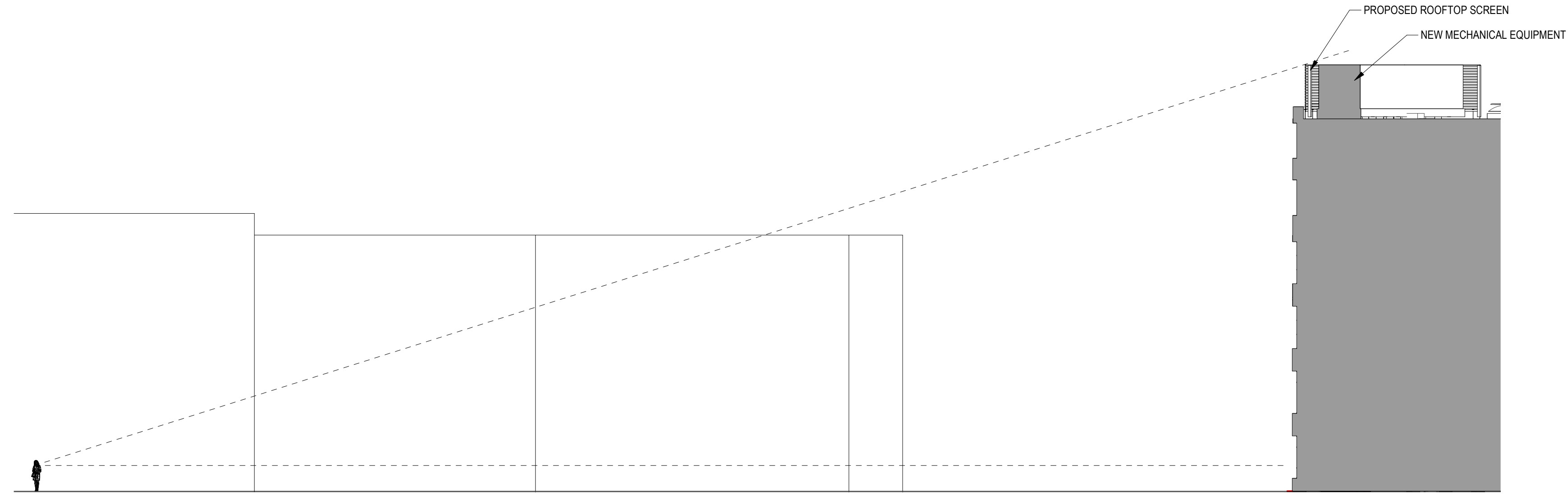
Bergmeyer PROPOSED ROOF PLAN AND ELEVATIONS

Bergmeyer Associates, Inc.
 51 Sleeper Street
 Boston, MA 02210
 Phone 617 542 1025
 Fax 617 542 1026

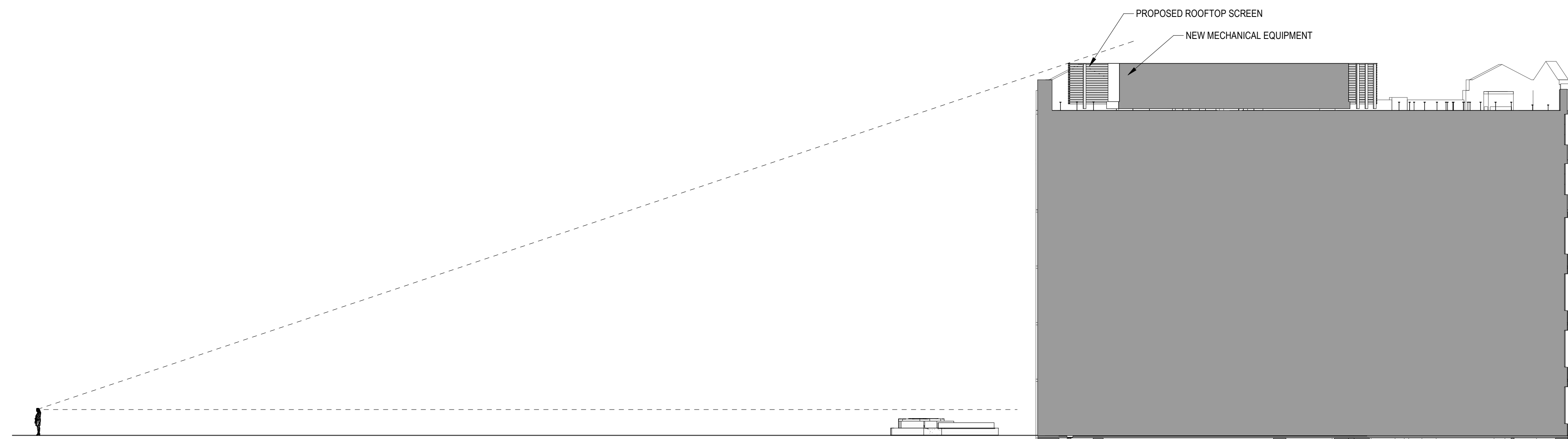
WEWORK 95 BERKELEY STREET FLOORS 1-6
 95 BERKELEY STREET
 BOSTON, MASSACHUSETTS 02116

JOB #: 18187.00
 SCALE: 1/16" = 1'-0"
 DATE: 07/30/2019
 DWN BY: PC
 CROSS REF:

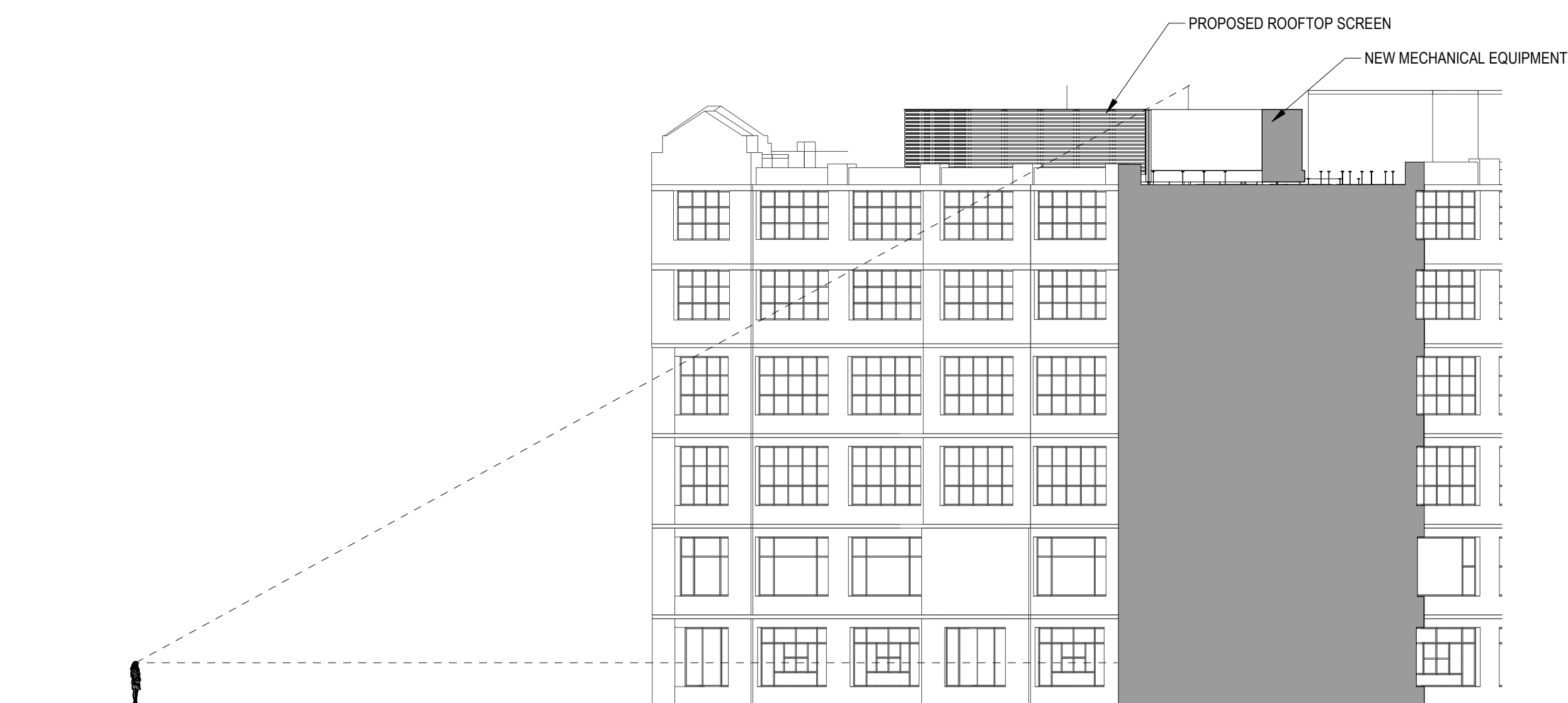
SK-07



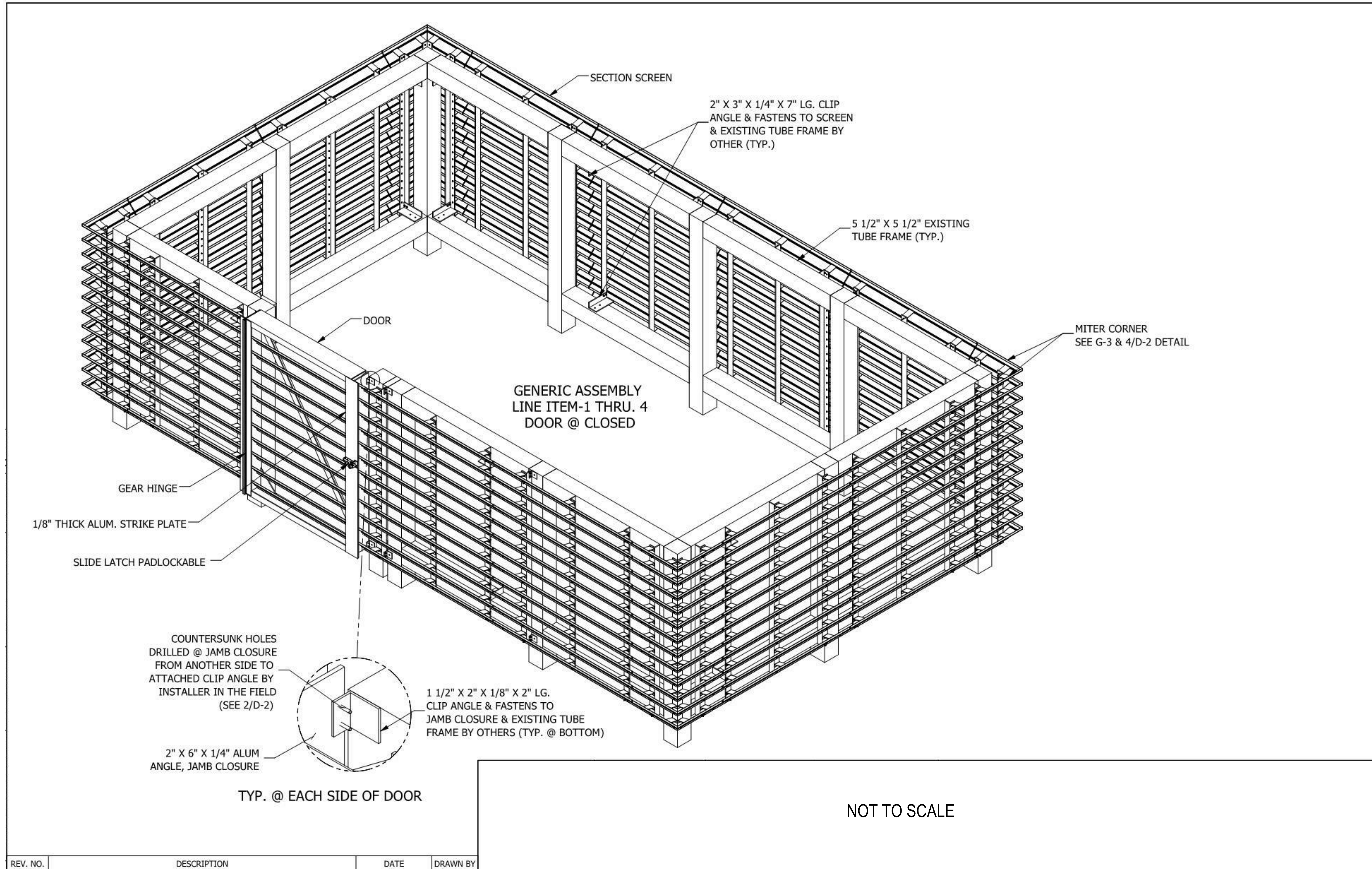
1 SIGHT LINE - CHANDLER STREET EAST



2 SIGHT LINE - BERKELEY STREET SOUTH



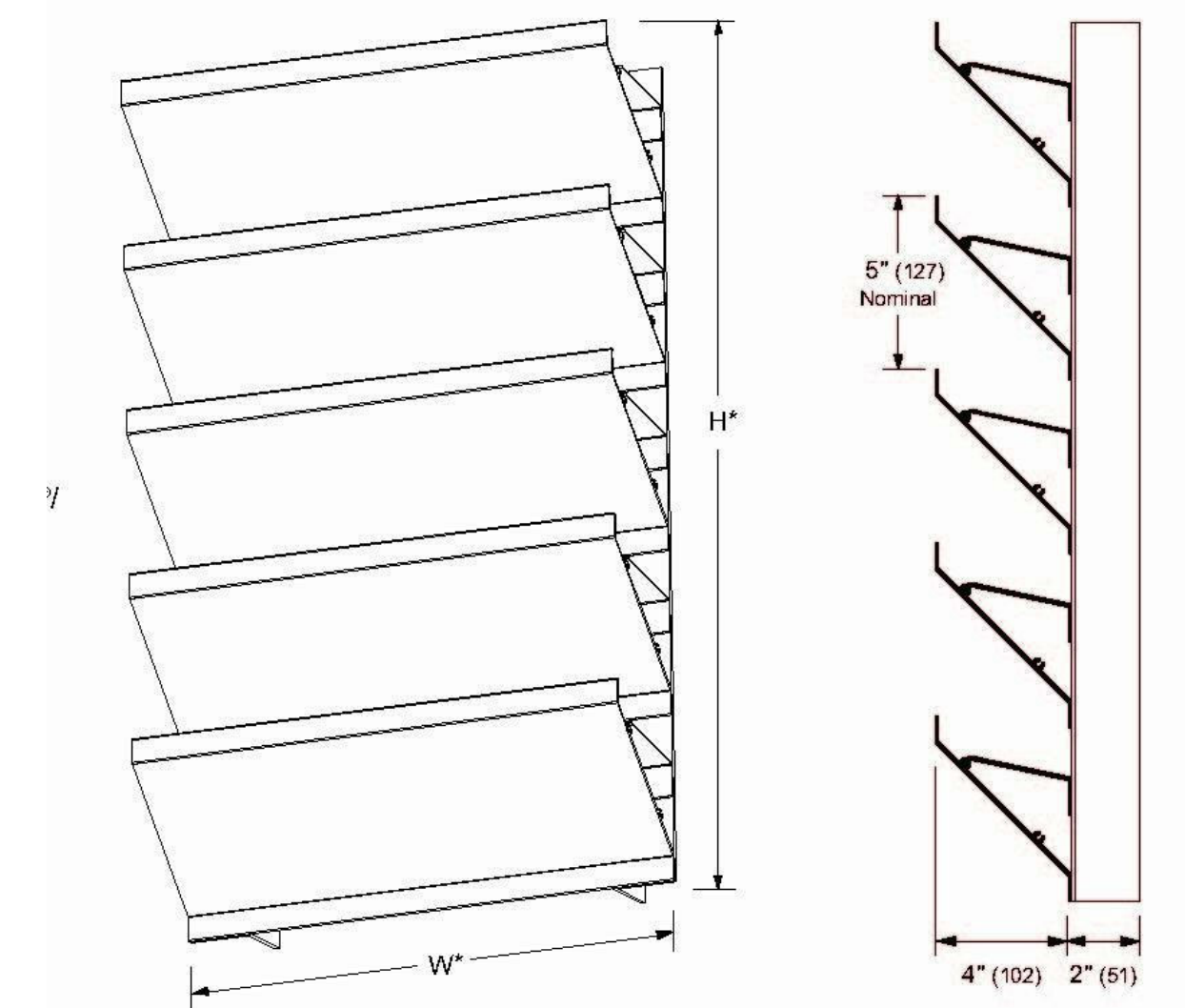
3 SIGHT LINE - BERKELEY STREET NORTH



PROPOSED INTENT FOR SCREEN; TO BE BY ALL-LITE ARCHITECTURAL PRODUCTS; EQUIPMENT SCREEN SERIES HJ445 BLADES TO BE 4" BLADES AT 45 DEGREE ANGLE TO VERTICAL SUPPORTS COLOR: BEIGE



Beige
M-18141
M-19141



REV. NO.	DESCRIPTION	DATE	DRAWN BY