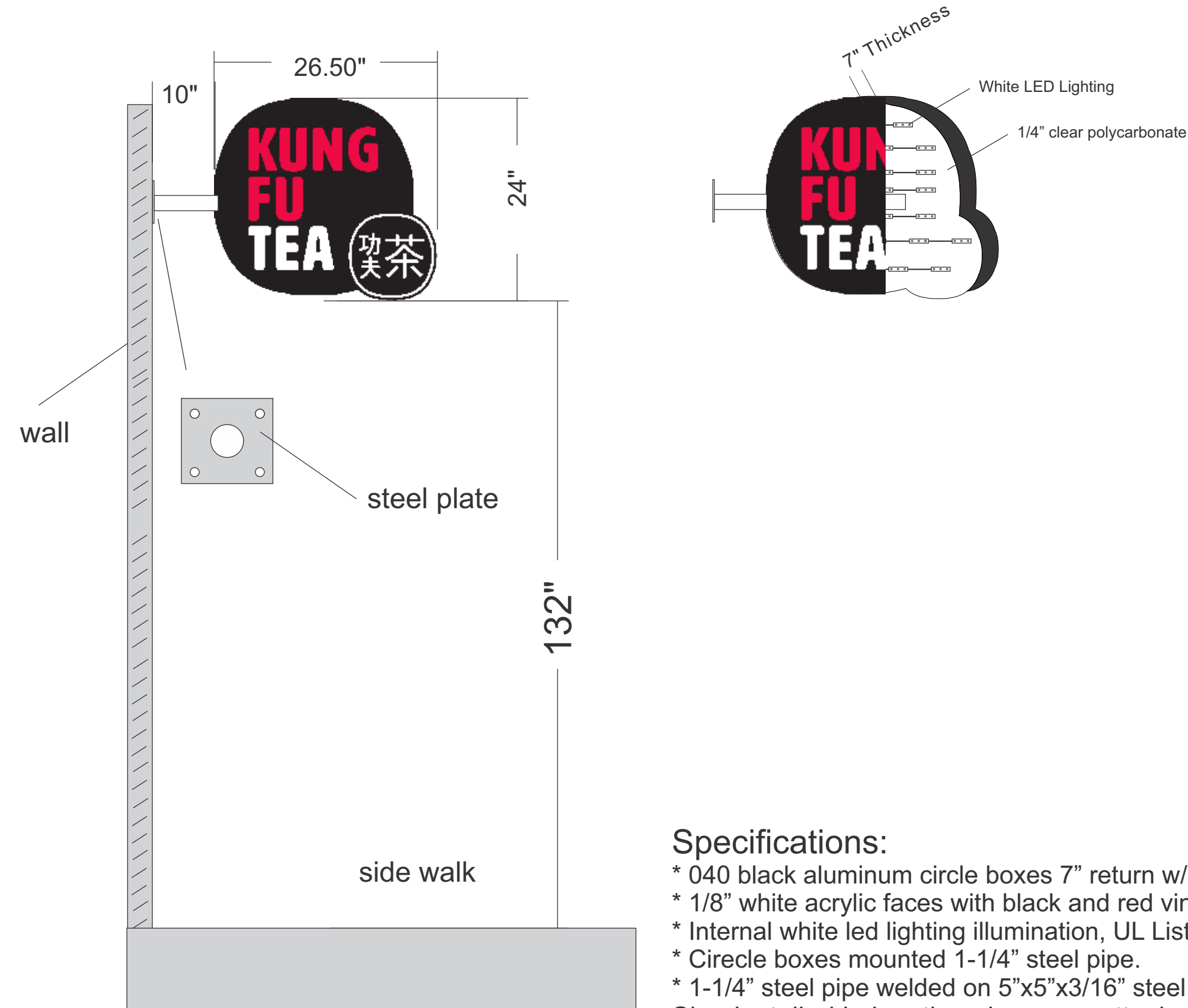
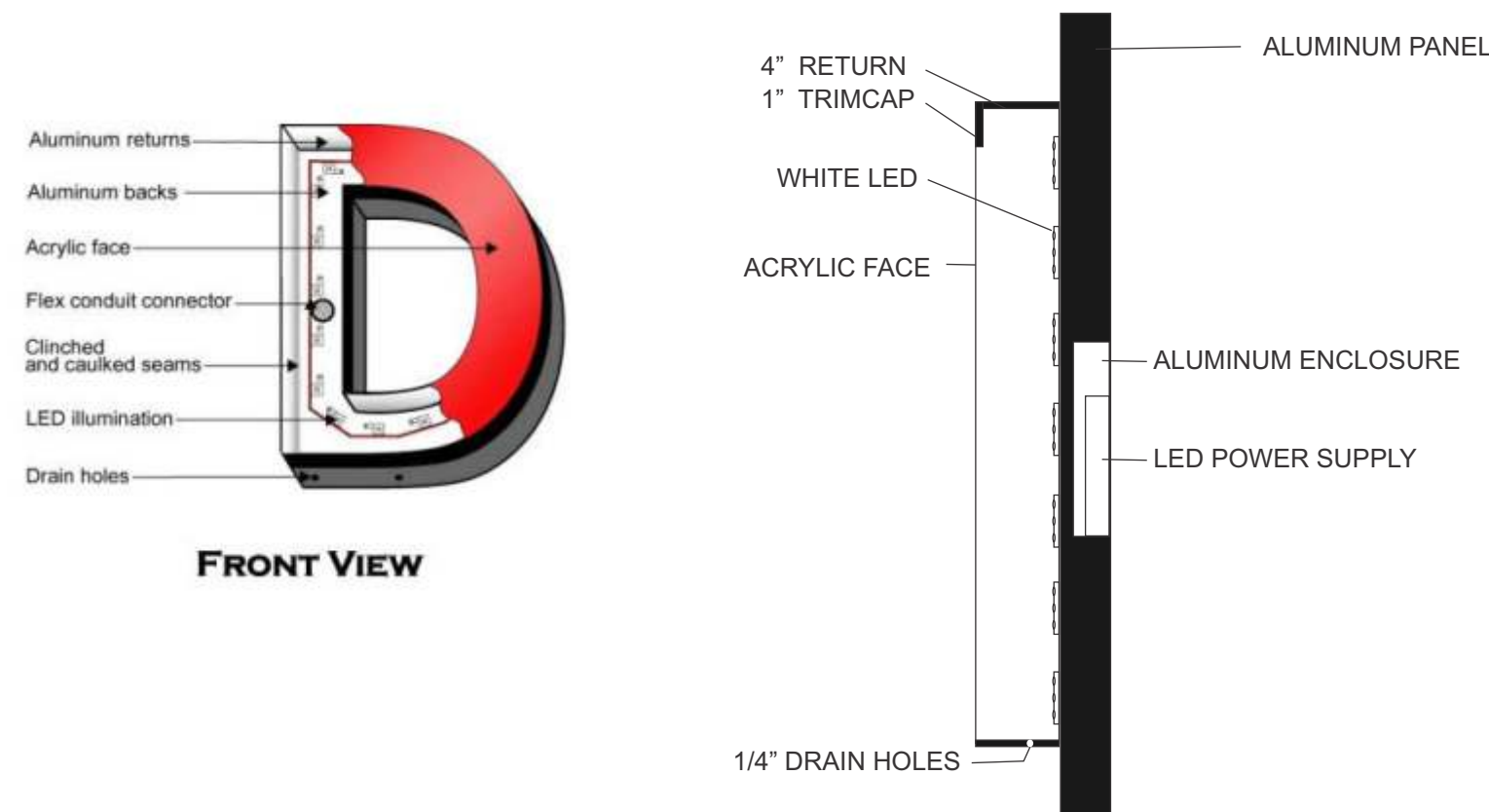
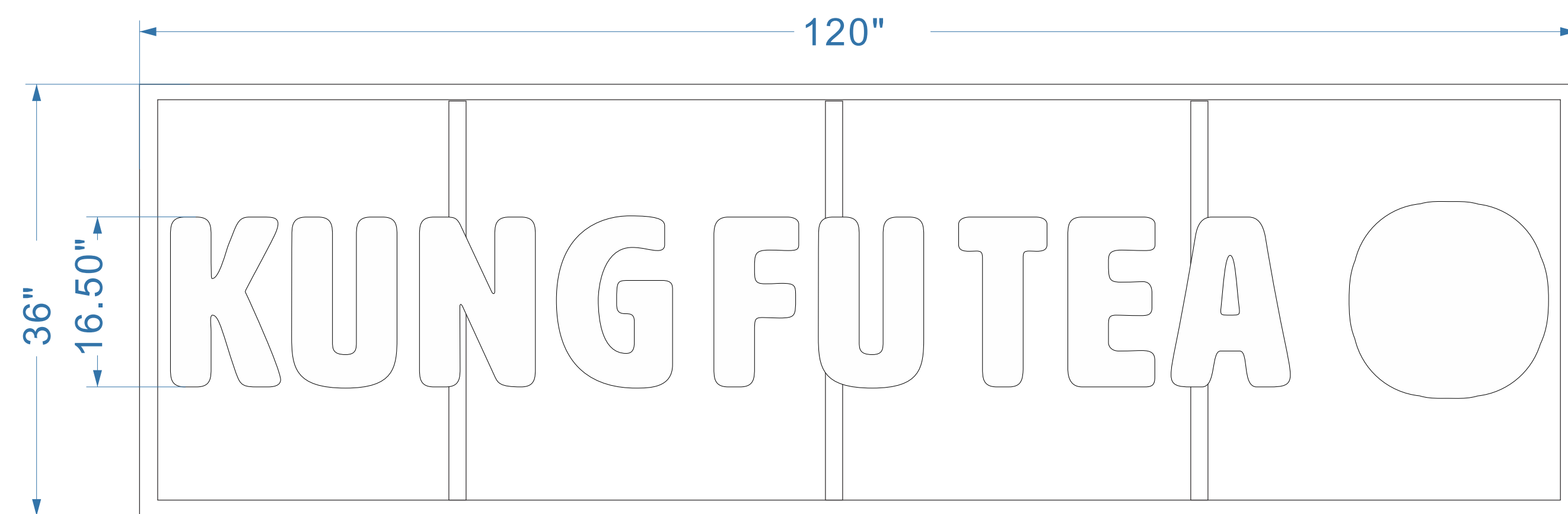


This drawing is the property of CC Sign. The information contained herein may not be used, or reproduced, without written permission from CC Sign. All reproductions, in whole or in part, must bear this statement or make reference to it. All work by CC Sign to be done in a timely and workmanlike manner according to standard industry practices. Any alteration or deviation from the specs described herein resulting extra costs will be executed upon approval with the client. All material is guaranteed to be as specified. We reserve the right to substitute components it deems comparable due to unavailability or unexpected supplier delays. Client is ultimately responsible for final approval of all proofs, as well as all taxes, insurance, and fees associated with the project. 50% down payment due upon signing the contract. Balance due upon completion of project regardless of any inspection. Unpaid balance over 30 days will subject to 15% APR interest. All agreements are contingent upon strikes, accidents, or delays beyond our control. Some restrictions may apply.

**NEW CC SIGN INC.**

70 Old Colony Ave., Boston, MA 02117  
Tel: 617-210-7982 Fax: 617-210-7983  
ccsignboston@gmail.com

Channel letter sign:



**Specifications:**  
 \* 040 black aluminum panel w/ Welded 1"x1" Galvanized tubing frame.  
 \* 040 red and white aluminum letter boxes 4" return w/ 1" red and white trimcap.  
 \* 1/8" white and red acrylic faces.  
 \* Internal white led lighting illumination, UL Listed.  
 \* Letter boxes to be mounted on the panel.  
 Sign installed in location shown on attached photo  
 This sign is intended to be installed in accordance with the requirement of Article 600 of the National Electrical Code and/or other applicable local code. This includes proper grounding and bonding of the sign.

**Specifications:**  
 \* 040 black aluminum circle boxes 7" return w/ 1" black trim cap.  
 \* 1/8" white acrylic faces with black and red vinyl.  
 \* Internal white led lighting illumination, UL Listed.  
 \* Circle boxes mounted 1-1/4" steel pipe.  
 \* 1-1/4" steel pipe welded on 5"x5"x3/16" steel plate.  
 Sign installed in location shown on attached photo



Existing

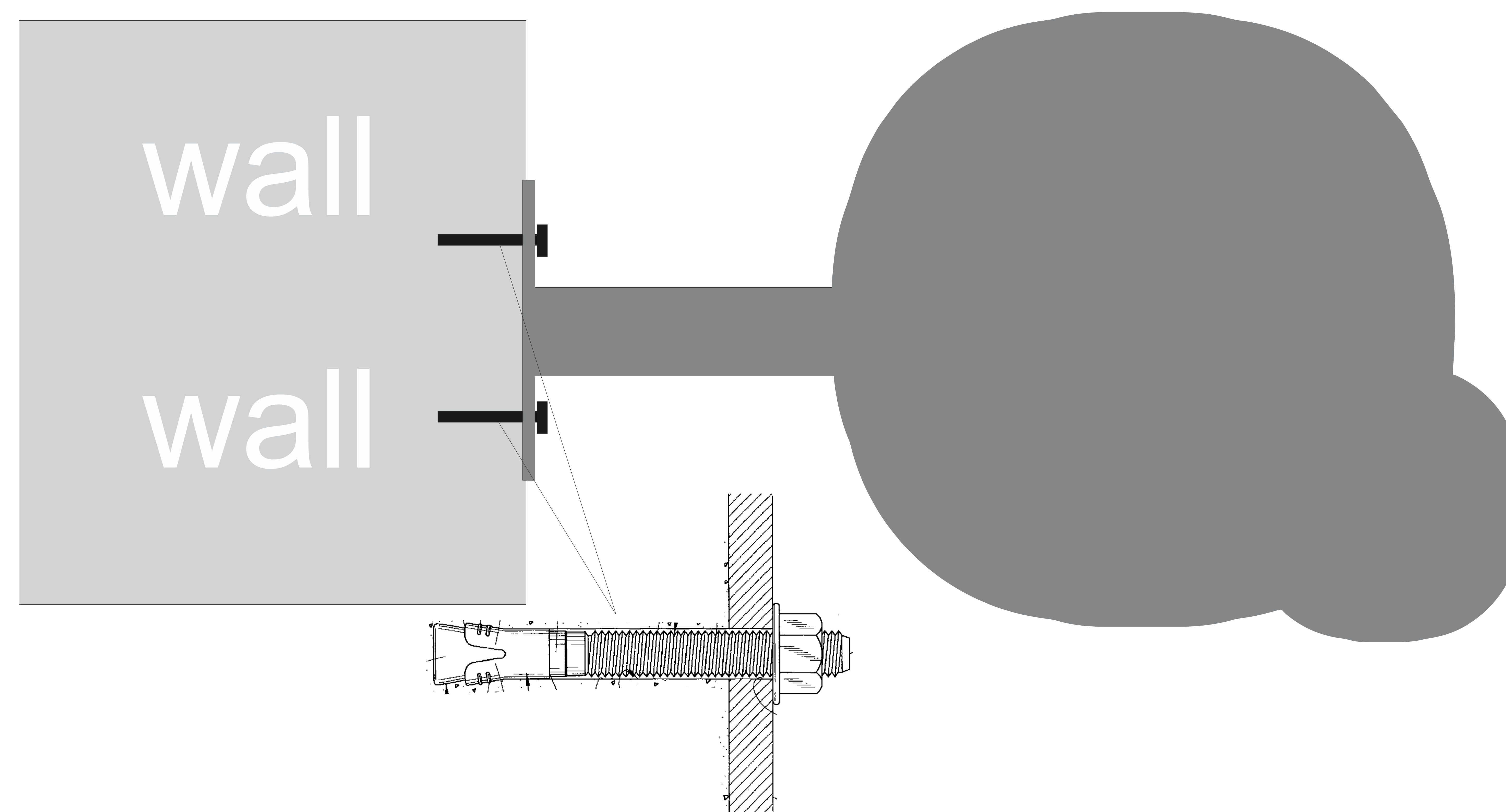


Proposed

Client Must Review & Approve all Drawing BEFORE production The price, specifications and are hereby accepted. CC Sign is authorized to execute the project in this agreement.	
CLIENT SIGNATURE	
PRINT NAME	DATE

CLIENT	Jiahua Tang	JOB	06697
COMPANY	KFT Cleveland Circle LLC.	DRAWN	Ricky
ADDRESS	1916B Becon st	TITLE	
CITY	Brighton	ORDER DATE	04/27/2019
TEL	646-220-9991	FILED ID	

# Mounting



4 pieces 3" Concrete Wedge Anchor set