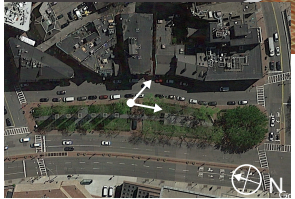
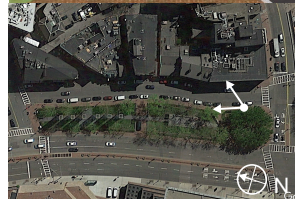
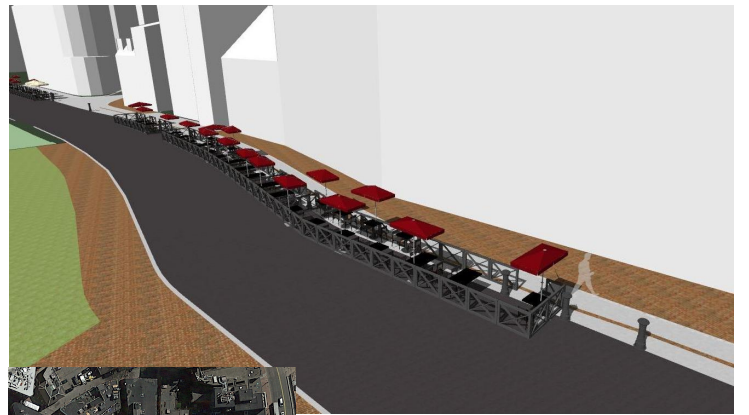
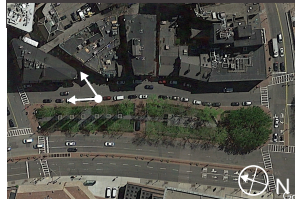


NITSCH PROJECT # 12948			
FILE: 12948 OVERALL.DWG			
SCALE: 1"=10'			
DATE: 03/20/2019			
PROJECT MANAGER: JMS			
SURVEYOR:			
DRAFTED BY: PES	REV.	COMMENTS	DATE
CHECKED BY: JMS		REVISIONS	

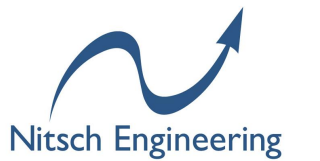




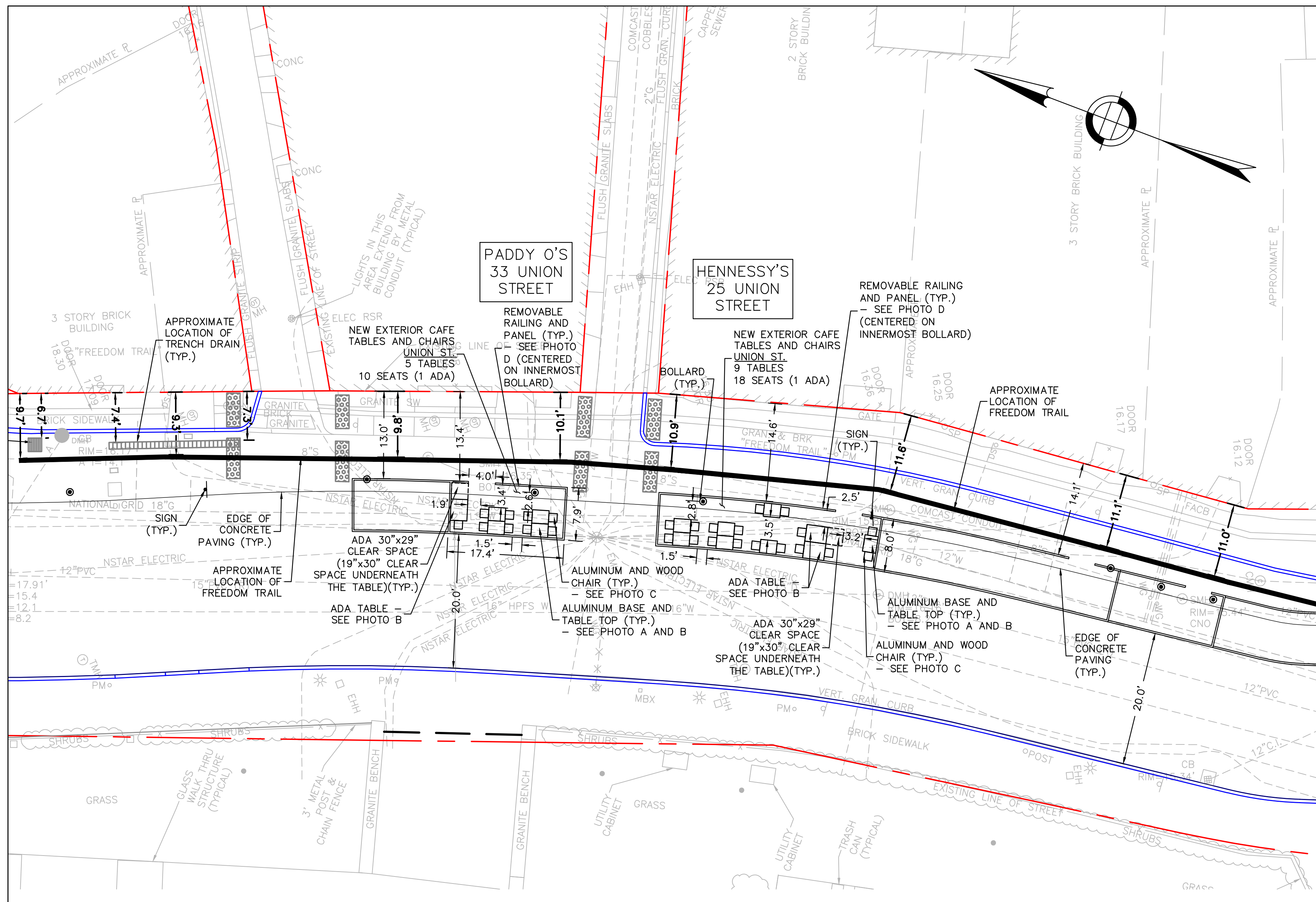
# Union Street Outdoor Cafés

April 2, 2019

Note: Umbrella Color to be determined.







**SIDEWALK CAFE PLAN**  
SCALE: 1"=10'

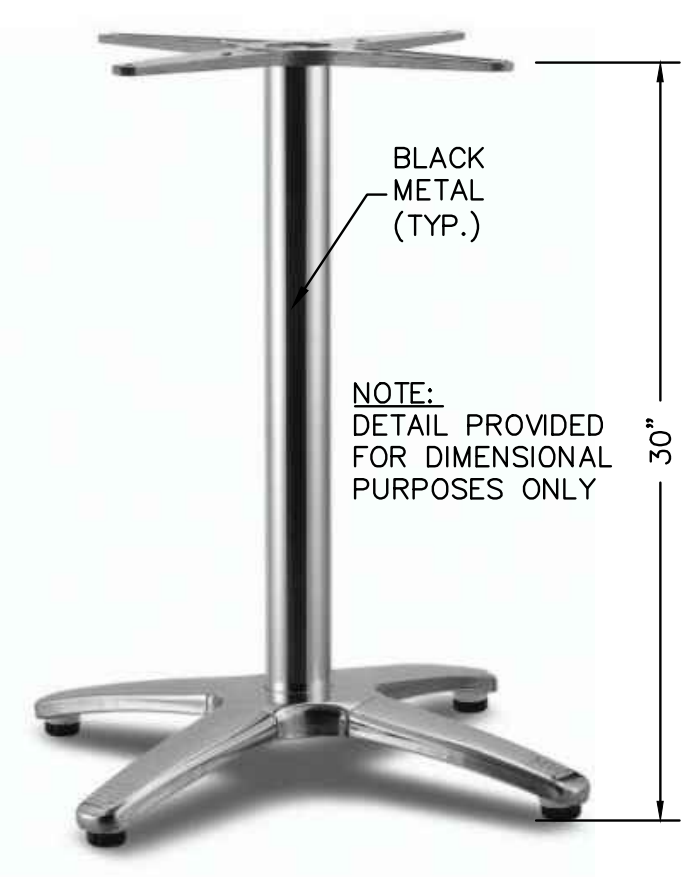
**PROPOSED LEGEND**

— EXISTING CURB LINE  
 - - - PROPERTY LINE  
 TYP. TYPICAL



**PHOTO C**  
**BLACK METAL CHAIR**

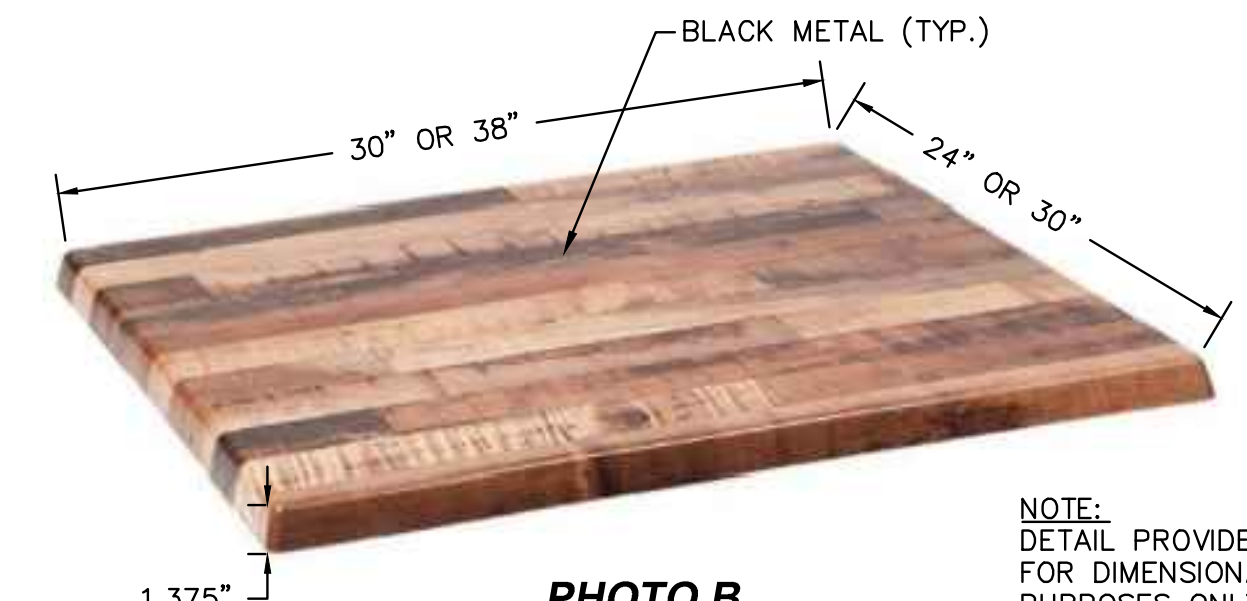
NOTE:  
DETAIL PROVIDED  
FOR DIMENSIONAL  
PURPOSES ONLY



**PHOTO A**  
**BLACK METAL TABLE BASE**

BLACK METAL (TYP.)

NOTE:  
DETAIL PROVIDED  
FOR DIMENSIONAL  
PURPOSES ONLY



**PHOTO B**  
**BLACK METAL TABLE TOP**

**TABLE DIMENSIONS**  
30"x24"

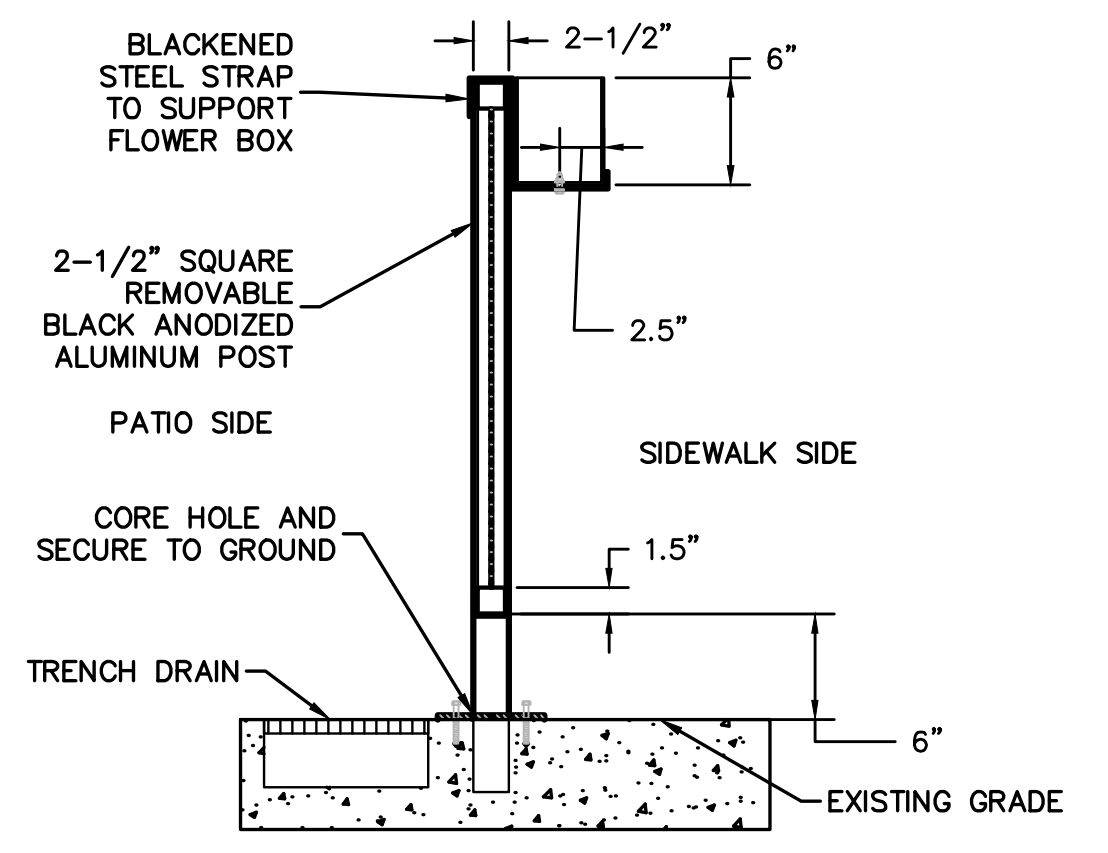
**ADA TABLE DIMENSIONS**  
38" x 30"

1.375" THICKNESS  
OVERALL HEIGHT: 31.375"

NOTE:  
DETAIL PROVIDED  
FOR DIMENSIONAL  
PURPOSES ONLY



**ELEVATION AT REMOVABLE RAILING PANEL**  
NOT TO SCALE



**SECTION AT REMOVABLE RAILING PANEL**  
NOT TO SCALE

**DETAIL D**  
**REMOVABLE RAILING AND PANEL**

**SHEET 1 OF 1**  
PLAN SHOWING THE EXTERIOR SIDEWALK CAFE (48 SEATS)  
ON UNION STREET

CITY OF BOSTON PUBLIC WORKS DEPARTMENT  
ENGINEERING DIVISION  
OUTDOOR CAFE LICENSE PLAN

**PADDY O'S**  
33 UNION STREET  
**HENNESSY'S**  
25 UNION STREET  
BOSTON

SCALE: HOR. 1" = 10'

DIVISION ENGINEER

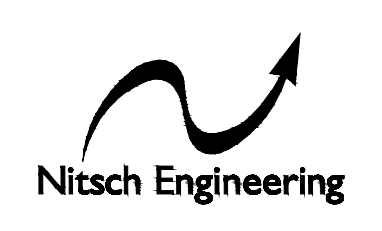
MARCH 2019

FOR REGISTRY USE ONLY

JOHN M. SCHMID, P.E.  
MASSACHUSETTS REG. NO. 39155  
REGISTERED PROFESSIONAL ENGINEER

PUBLIC IMPROVEMENT COMMISSION  
CHIEF ENGINEER

CHECKED FOR GENERAL DESIGN AND  
CONFORMITY TO CITY STANDARDS  
PUBLIC WORKS DEPARTMENT  
APPROVED  
COMMISSIONER OF PUBLIC WORKS



DESIGNED BY: PES  
DRAWN BY: PES  
CHECKED BY: JMS

PREPARED BY:  
NITSCH ENGINEERING  
2 CENTER PLAZA, SUITE 430  
BOSTON, MA 02108  
PHONE: 617-338-0063

NITSCH PROJECT NUMBER: 12948  
NITSCH FILE NAME: 12948 PIC