

Bay Cove Human Services, Inc.

Property Department

66 Canal Street

Boston, MA 02114

617-371-3000

Date: November 14, 2018
To: _____
Project I.D. 2000-454
Date Started: _____
Date Completed: _____
Subject: Replacement Windows @ KILN BUILDING - 105 Victory Road, Dorchester, MA 02122
From: Steven Van Tran

Scope of Work:

WINDOW REPLACEMENT

- A. Remove existing 27 old wood windows and exterior wood trim to existing brick rough opening.
(Existing Windows: EAGLE Windows & Doors)
- B. Remove & preserve 16 existing exterior iron gate on the windows and re-install it back when the new replacement windows is 100% completed.
- C. Insulate any air penetration and repair brick work around all the windows.
- E. Furnish and install (27) **New Harvey Tribute Double Hung Replacement Windows with Low-E/Argon Glass. 9 over 9 exterior and interior profile historical grids. (Window Color : To match existing color)**
 - * Half Screen, Fiberglass Mesh
 - * Window Locks to match window frame
 - * **First Fl. Windows: 11 Windows R.O. @ 45 1/4" W X 99 3/4" H + 1 Window R.O. @ 24 1/4" W X 51 1/2" H**
 - * **Second Fl. Windows: 14 Windows R.O. @ 45 1/4" W X 64 3/4" H + 1 Window R.O. @ 24 1/4" W X 51 1/2" H**
- F. All interior trim boards to be remain, re-paint to match existing condition.
- G. Remove and replace all exterior trim boards, sills with Harvey PVC Millwork & Trim and paint to match existing condition.
- H. All exterior trim boards must use stainless steel screw for fasteners and plugs for screw head.
- I. Caulking at all seams where the water may be penetration into on the interior & exterior trim.
- J. All Caulking must be match to the new windows and exterior trim boards.
- K. All work areas must be protect and clean up all excess debris daily and after project completion.

GENERAL REQUIREMENT

- A. Any permits and bonds are requirement for the project must provided by the contractor.
- B. Provide a mason for any brick work if required.
- C. Provide dumpster for construction debris and dispose of site.
- D. Provide all rigging, Scaffold planks according to OSHA
- E. All work and work areas must be protect from the interior and exterior and clean up all excess debris daily and after the project completion and dispose off site.

Contract Sum:

- * The Contract Sum of _____ and 00/100 Dollars = (\$ _____)

Progress Payments and Payment Schedule:

Note: All progress payment must allow five (5) working days after the Bay Cove receives the application request for payment.

- * 1/3 of Contract Sum due upon Commencement of work at site = (\$ _____)
- * 1/3 of Contract Sum is due at 50% completion of the project, including necessary building permit rough signed-offs = (\$ _____)
- * 1/3 of Contract Sum is due at 100% completion of the project, including necessary building permit final

signed-offs = (\$ _____)

- * However, all of such three payments are also subject to 10% retainage holdback no later than 30 days = (\$ _____)

Note:

- * All work and work areas must be protect and clean up all excess debris daily and remove off site after project completion.
- * All reserve material and supply must be on mutually agreed space for store over night.
- * The contractor must provide any permits and dumpster for the project before the project start up.
- * Any concealed damage and discrepancies in the field shall be addressed upon discovery by informing **Bay Cove CFO, SVP Finance or Bay Cove Property Management** and choosing of action as each occurrence may arise.
- * All material is guaranteed to be as specified. All work to be completed in a workmanlike manner & diligence according to standard practices. **Any alteration or deviation from above specifications involving extra costs will be executed only upon in written orders.** And will become an extra charge over and above the estimate.
Contractor or sub-contractor workers must be fully covered by Workmen's Compensation and General Liability Insurance.

Upon both parties signing below this becomes part of the _____ dated: _____ .

ONLY OFFICERS OF THE CORPORATION can sign any contract or check requests for a Capital Expense (President, Executive Director and CFO, Director of administration and Finance)

Program Division Acceptance

Dated

Bay Cove CFO, SVP Finance Acceptance

Dated

Contractor Acceptance

Dated

IT/Sub-Division Acceptance

Dated

LINE #

DESCRIPTION

10000-1 Tribute Comm DH , Unit Size 55.75 x 105.25, RO 56 x 105.75,
EXTENDED LEADTIME
Unit 1: U-Factor = 0.27, SHGC = 0.26, VT = 0.46,
HII-M-42-02194-00002, Replacement
Frame Width (Inches) = 55.75, Frame Height (Inches) = 105.25
Double Glazed, Double Low-E RS, Argon Filled, DSB
Base Color = White, Painted Exterior Only, Exterior Painted Color =
Copper
Plain Lock, Double, Integral Extruded Lift Rail, Horizontals & Verticals
Sash Limit Devices = Night Latch
No Screen
Sim Div Lite, Colonial, Painted One Side, Exterior, Grille Exterior
Painted Color = Copper, 5W3H
Head Expander
Overall Frame Width (Inches) = 55.75, Overall Frame Height (Inches) =
105.25, Overall Rough Opening Width (Inches) = 56, Overall Rough
Opening Height (Inches) = 105.75
E.Star Zone:North=Yes, E.Star Zone:North-Central=Yes
Room Location: None Assigned



Structural Performance Data
Harvey Windows & Patio Doors

Test results subject to change without notice. Visit our website to view the most recent test data at www.Harveybp.com

Product Line	Unit Size W x H	Configuration	Air Infiltration	Water Resistance	Structural Test Pressure	Design Pressure	Structural Rating
Tribute Double Hung	48 x 84	Single	0.07 cfm/ft ²	5.43 psf	52.63 psf	DP35	H-LC35
	42 x 77**	Single	0.05 cfm/ft ²	7.52 psf	74.24 psf	DP50	H-LC50
	85 1/2 x 75	2-Wide CJ	0.06 cfm/ft ²	5.43 psf	52.63 psf	DP35	H-LC35
Tribute Double Hung Commercial	54 x 91†	Single	0.06 cfm/ft ²	6.06 psf	60.15 psf	DP40	H-C40
Classic Double Hung	46 x 77	Single	0.10 cfm/ft ²	6.06 psf	60.15 psf	DP40	H-LC40
	46 x 80**	Single	0.08 cfm/ft ²	7.52 psf	75.24 psf	DP50	H-R50
	42 x 77**	Single	0.14 cfm/ft ²	7.52 psf	75.24 psf	DP50	H-LC50
	72 x 63	2-Wide CJ	0.16 cfm/ft ²	6.90 psf	67.70 psf	DP45	H-R45
	72 x 72	2-Wide CJ	0.24 cfm/ft ²	4.59 psf	67.67 psf	DP30	H-R30
	96 x 63**	3-Wide CJ	0.21 cfm/ft ²	6.06 psf	60.19 psf	DP40	H-R40
Slimline Double Hung & Single Hung	42 x 77	Single	0.06 cfm/ft ²	5.43 psf	52.63 psf	DP35	H-R35
	46 x 77	Single	0.06 cfm/ft ²	4.60 psf	45.11 psf	DP30	H-LC30
	44 x 67**	Single	0.07 cfm/ft ²	6.06 psf	60.19 psf	DP40	H-R40
	40 x 63**	Single	0.03 cfm/ft ²	7.52 psf	75.19 psf	DP50	H-C50
Vinyl Awning	48 x 32	Single	0.01 cfm/ft ²	11.28 psf	112.78 psf	DP75	AP-C75
	48 x 58	Single	0.01 cfm/ft ²	7.52 psf	82.71 psf	DP55	AP-LC55
	64 x 32†	Single	0.01 cfm/ft ²	7.52 psf	75.19 psf	DP50	AP-LC50
	60 x 42	Single	0.01 cfm/ft ²	6.06 psf	60.19 psf	DP40	AP-C40
Vinyl Casement	36 x 80	Single	0.01 cfm/ft ²	6.06 psf	60.15 psf	DP40	C-C40
	71 x 80	2-Wide CJ	0.04 cfm/ft ²	5.43 psf	52.63 psf	DP35	C-C35
	56 x 72	2-Wide CJ	0.04 cfm/ft ²	7.52 psf	75.19 psf	DP50	C-C50
	56 x 48	2-Wide CJ	0.04 cfm/ft ²	9.82 psf	97.74 psf	DP65	C-C65
Fixed Vinyl Casement / Awning	60 x 80	Single	0.03 cfm/ft ²	5.43 psf	52.63 psf	DP35	F-C35
	64 x 56	Single	0.02 cfm/ft ²	7.52 psf	75.19 psf	DP50	F-C50
	46 x 60	Single	0.01 cfm/ft ²	6.06 psf	60.19 psf	DP40	F-C40
Venting Vinyl Awning over Fixed w/Mull & CJ	65 x 77†	Stacked CJ-Mull	0.01 cfm/ft ²	7.52 psf	75.19 psf	DP50	AP-LC50
Fixed Vinyl Casement over Venting Awning	64 x 78†	Stacked CJ	0.03 cfm/ft ²	7.52 psf	75.19 psf	DP50	AP-LC50
Vinyl PW mullied over Venting Awning	64 x 78†	Stacked Mull	0.01 cfm/ft ²	7.52 psf	75.19 psf	DP50	AP-LC50
Vinyl Picture Window	70 x 70	Single	0.01 cfm/ft ²	8.35 psf	55.14 psf	DP55	F-C55
Vinyl Designer Shape	64 x 64	Single	0.01 cfm/ft ²	6.90 psf	67.67 psf	DP45	F-C45
Welded Vinyl Deadlite	57 x 57	Single	0.01 cfm/ft ²	2.92 psf	22.56 psf	DP15	F-R15
Welded Vinyl Rolling Window	72 x 62 1/2	2-Lite	0.03 cfm/ft ²	5.43 psf	52.63 psf	DP35	HS-LC35
	120 x 62 1/2	3-Lite	0.07 cfm/ft ²	3.76 psf	37.59 psf	DP25	HS-LC25
Vinyl Hopper Window	48 x 32	Single	0.06 cfm/ft ²	2.92 psf	22.57 psf	DP15	AP-R15
Vinyl Patio Door (with or without Transom)	96 x 80 (8068)	2-Lite	0.06 cfm/ft ²	5.43 psf	52.63 psf	DP35	SD-R35
Vinyl Patio Door	144 x 80 (12068)	3-Lite OXO	0.01 cfm/ft ²	5.43 psf	52.63 psf	DP35	SD-R35
Vigilance Patio Door Impact Resistant DP50 / Wind Zone 4	96 x 96 (8080)	2-Lite Only	0.04 cfm/ft ²	7.50 psf	75.00 psf	DP50	SD-R50
Vigilance Double Hung Impact Resistant DP55 / Wind Zone 3	42 x 72	Single Only	0.10 cfm/ft ²	9.82 psf	105.33 psf	DP70	H-R70
Vigilance Awning Impact Resistant DP55 / Wind Zone 3	48 x 32	Single Only	0.01 cfm/ft ²	7.52 psf	82.71 psf	DP55	AP-LC55
Vigilance Casement Impact Resistant DP55 / Wind Zone 3	32 x 65	Single Only	0.02 cfm/ft ²	8.35 psf	82.71 psf	DP55	C-C55
Vigilance Picture Window *** Impact Resistant DP55 / Wind Zone 3 ***Replacement frame only	64 x 65	Single Only	0.01 cfm/ft ²	8.35 psf	82.71 psf	DP55	F-C55
Helix Tilt and Turn	60 x 80	Single	0.02 cfm/ft ²	15.30 psf	60.19 psf	DP40	DAW-C40
	40 x 84	Single	0.01 cfm/ft ²	15.30 psf	90.22 psf	DP60	DAW-C60
	60 x 48	Single	0.01 cfm/ft ²	15.30 psf	97.74 psf	DP65	DAW-C65
	40 x 74	Single	0.02 cfm/ft ²	15.30 psf	105.33 psf	DP70	DAW-C70
Helix Picture Window	59 x 99	Single	0.01 cfm/ft ²	20.00 psf	112.50 psf	DP75	F-LC75



Structural Performance Data
Harvey Windows & Patio Doors

Test results subject to change without notice. Visit our website to view the most recent test data at www.Harveybp.com

Acoustic Vinyl Casement (STC 35 & 40)	36 x 80+	Single	0.02 cfm/ft ²	8.35 psf	82.71 psf	DP55	C-C55
Acoustic Fixed Vinyl Casement / Awning (STC 35 & 40)	41 x 78+	Single	0.01 cfm/ft ²	7.52 psf	75.19 psf	DP50	C-C50
Majesty Double Hung	44 x 75	Single	0.17 cfm/ft ²	5.43 psf	52.66 psf	DP35	H-R35
Majesty Picture Window	54 x 54	Single	0.11 cfm/ft ²	3.76 psf	52.63 psf	DP35	F-LC35
Majesty Casement	32 x 72	Single	0.03 cfm/ft ²	3.76 psf	37.59 psf	DP25	C-LC25
Majesty Fixed Casement	60 x 72	Single	0.01 cfm/ft ²	3.13 psf	30.08 psf	DP20	F-R20
Majesty Awning	48 x 39	Single	0.03 cfm/ft ²	5.43 psf	52.63 psf	DP35	AP-C35
Majesty Gliding Window	72 x 61	2-Lite	0.26 cfm/ft ²	3.75 psf	37.59 psf	DP25	HS-R25
Majesty Gliding Patio Door	72 x 108	2-Lite	0.24 cfm/ft ²	4.59 psf	45.11 psf	DP30	SD-R30
	96 x 96	2-Lite	0.19 cfm/ft ²	6.90 psf	60.15 psf	DP40	SD-LC40
	192 x 82	4-Lite	0.21 cfm/ft ²	5.43 psf	52.63 psf	DP35	SD-R35
	192 x 96	4-Lite	0.18 cfm/ft ²	3.75 psf	37.59 psf	DP25	SD-LC25
Majesty Hinged Patio Door In-swing Multi Point	64 x 82	2-Lite	0.08 cfm/ft ²	6.90 psf	60.15 psf	DP40	SHD-R40
	64 x 96	2-Lite	0.10 cfm/ft ²	6.90 psf	60.15 psf	DP40	SHD-R40
	72 x 96	2-Lite	0.10 cfm/ft ²	7.52 psf	75.19 psf	DP50	SHD-R50
	72 x 108	2-Lite	0.08 cfm/ft ²	4.59 psf	45.11 psf	DP30	SHD-R30
Majesty Hinged Patio Door Out-swing Multi Point	64 x 82	2-Lite	0.20 cfm/ft ²	6.90 psf	60.15 psf	DP40	SHD-R40
	64 x 96	2-Lite	0.10 cfm/ft ²	6.90 psf	60.15 psf	DP40	SHD-R40
	72 x 96	2-Lite	0.10 cfm/ft ²	7.52 psf	75.19 psf	DP50	SHD-LC50
	72 x 108	2-Lite	0.04 cfm/ft ²	4.59 psf	45.11 psf	DP30	SHD-R30

Notes:

+ Reinforced sash

** Sill Rise Extender will reduce clear opening height by 9/16"

*** Vigilance Picture Window is available as a 3 1/4" replacement frame only.

Legend:

Product Line	Describes that product line of windows and doors and provides the Name for that line.
Unit Size	Shows the overall size of the window tested to achieve the results listed.
Configuration	Indicates the window or door configuration, number of units and/or shape tested
Air Infiltration	A measure of a windows air flow passing through the window taken at 1.57 psf. (25 mph equivalent).
Water Resistance	A measure of a windows water performance or resistance to water entry expressed in psf.
Structural Test Pressure	Overload pressure used during testing (1.5 x Design Pressure)
Design Pressure (DP Rating)	Overall structural performance rating for the subject window based on Air, Water and Structural performance
psf	Pressure measurement = Pounds per square foot (Lbs./ft ²)
cfm/ft ²	Air Infiltration measurement expressed in Cubic Feet / Minute / Square Foot of window or Door
Single	Indicates a single unit was tested to achieve the results
2-Wide CJ	Indicates window is a 2-Wide unit made in a Common Jamb configuration
3-Wide CJ	Indicates window is a 3-Wide unit made in a Common Jamb configuration
2-Lite	Indicates a 2-Lite window configuration on windows that can be 2 or 3 lites
3-Lite	Indicates a 3-Lite window configuration on windows that can be 2 or 3 lites

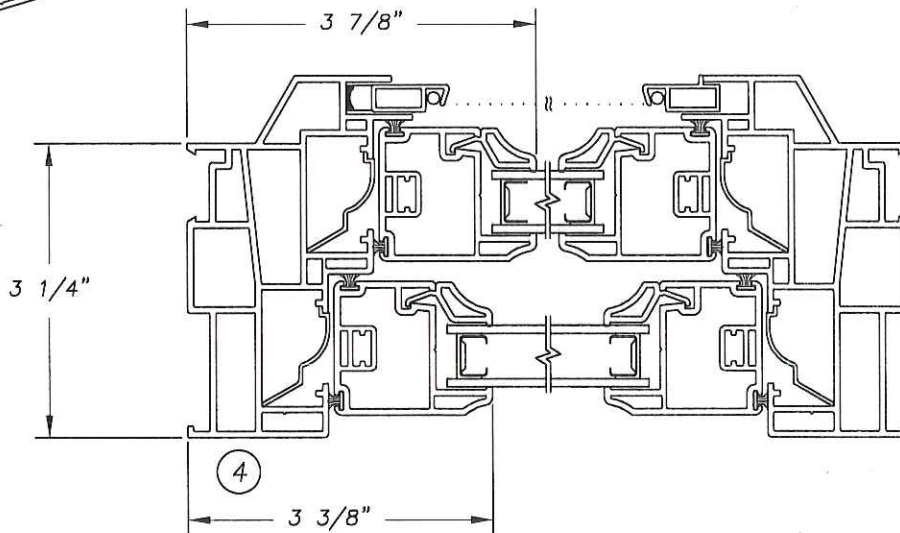
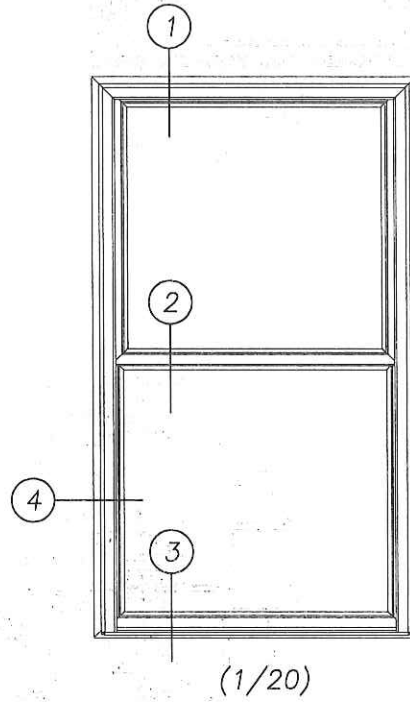
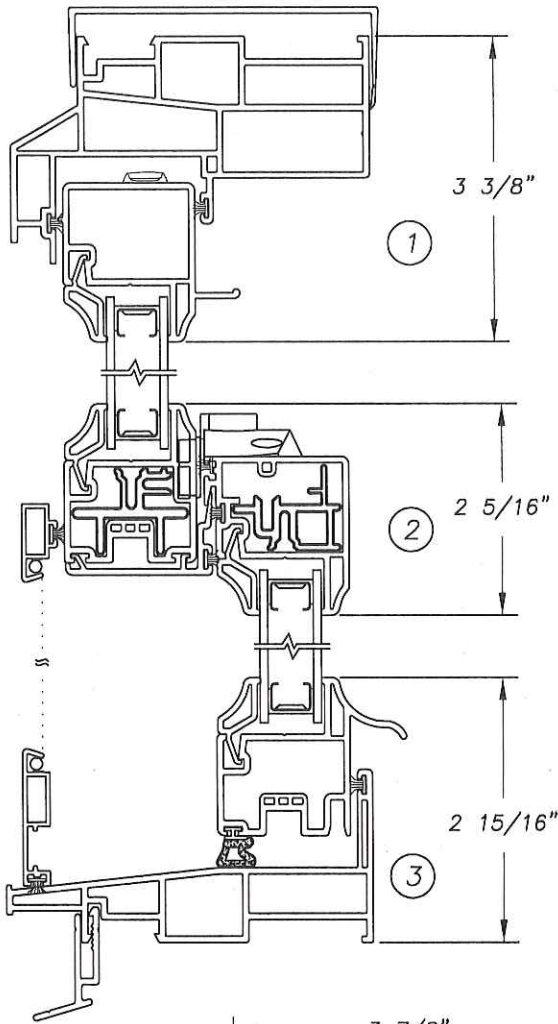
Performance Class

R = Residential Performance	≥DP15
LC = Light Commercial Performance	≥DP25
C = Commercial Performance	≥DP30

Product Type:

H = Single or Double Hung window
AP = Awning Projected Window
C = Casement Window
F = Fixed Window
HS = Horizontal Slider Window
DAW = Dual Action Window
SD = Sliding Door
SHD = Side Hinged Door

Harvey Building Products
Tribute Double Hung
Replacement Frame
Integral Lift Handle
(1/2 Scale)



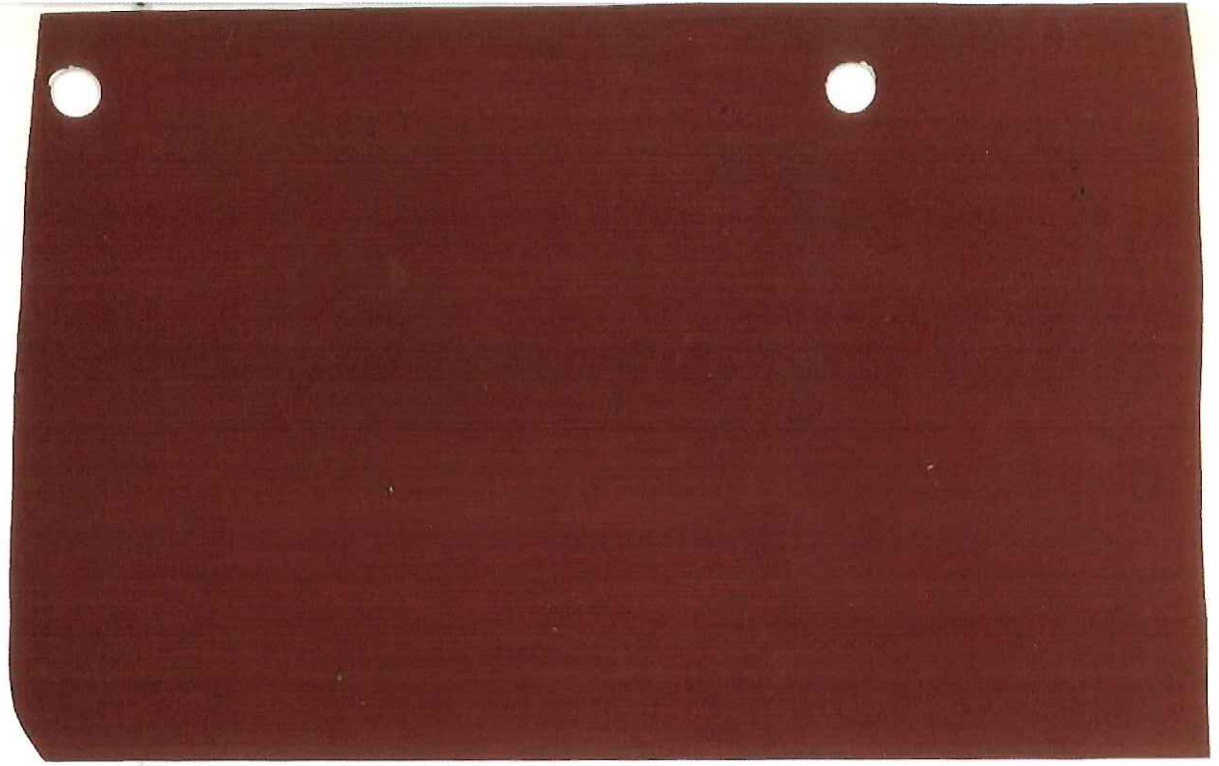
**PHOTOS OF EXISTING
CONDITION**











EXISTING PAINT COLOR

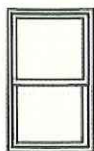
Exterior Kiln Building Windows

110 Base HB

2091-10

RX-8x20 BB-28 WH-3x8

PROPOSED WINDOWS

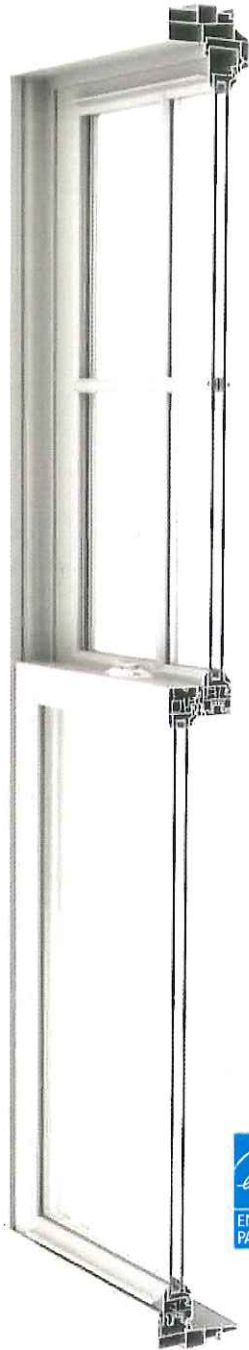


HARVEY
BUILDING PRODUCTS

Tribute Commercial

Commercial Double Hung Vinyl Window





Tribute Commercial features

Harvey's new Tribute Commercial Series double hung premium windows are ENERGY STAR® qualified and perfect for oversized openings. Designed for a lifetime of worry free performance, this line combines strength and beauty in a window system ideal for commercial applications where larger openings and higher wind loads need to be met. Tribute Commercial Series offers more modern window technology and a host of product options to compliment architectural applications.

- Tribute Commercial Series double hung windows are ENERGY STAR qualified with standard ENERGY STAR glazing
- C40 rating
- Widths up to 54" and heights up to 101"
- Top and bottom sash tilt in for easy cleaning
- Reinforced welded sash with optimized insulated glass
- White standard with the option to paint in 28 available colors
- Optional BetterGrain™ premium woodgrain finish
- Offered in a replacement frame or new construction frame with optional extension jamb receiver
- Ideal for large mill, apartment projects, municipal buildings and school renovations
- Accessory items include aluminum panning trim, structural mullion and receptor system
- Locally made and distributed throughout the Northeast

BetterGrain options



hardware options



lift handles



Integral Lift Handle
(Standard)



Applied Lift Handle
(Optional)

Due to printing limitations, finishes shown are for representation only.



HARVEY
BUILDING PRODUCTS

1400 Main Street
Waltham, MA 02451-1623 USA
800-9HARVEY (800-942-7839)
harveybp.com





Available for replacement or new construction applications, Tribute® incorporates all the valuable qualities of Harvey vinyl windows and adds enhancements like standard ENERGY STAR glazing for outstanding thermal performance, a revolutionary dual-acting lock/tilt latch for increased convenience. For the ultimate in energy efficiency, add our optional High Performance Package with triple glazing.

Appearance

- Standard integral handle on top sash
- Attractive, low profile locks
- Contoured sash and glazing bead provide a sleek, sophisticated design that emulates the traditional lines of a well-crafted wood window
- Streamlined bottom sash with optional integral or applied lift handles in white at no extra charge
- Available with BetterGrain® premium wood grain interior finish
- All Tribute double hung windows include Harvey Virtually Invisible Enhanced Window Screen (VIEWS) half screen

Performance

- Standard ENERGY STAR® glazing surpasses ENERGY STAR qualifications with Double Low-E/Argon and warm edge spacer system
- Anti-theft ventilation limit latches for security while ventilating
- Dual action low profile sash lock with integrated tilt/wash feature eliminates the need for separate tilt latches

High Performance Glazing Option

Our most energy efficient glazing package incorporates foam-filled chambers and three panes of glass sealed with a warm edge spacer system for added performance and durability. Two panes of glass utilize Low-E coating, and both airspaces contain Krypton gas for superior energy savings.



Exterior Finishes



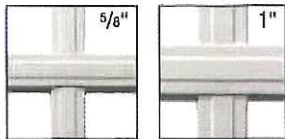
BetterGrain™ Interior Finishes

BetterGrain interior will not have limit latches.



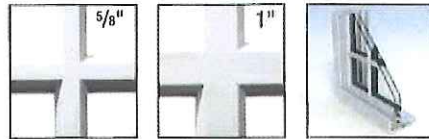
Grids

Contoured GBG (Grids Between Glass)



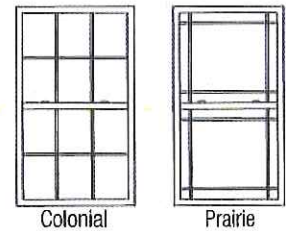
Color-matched grids are positioned between the two pieces of glass, allowing for easy cleaning.

Simulated Divided Lites (SDL)



For an even more dramatic and upscale look, choose the SDL grid system. SDL utilizes a pewter in-glass grid with vinyl grids applied on both the interior and exterior.

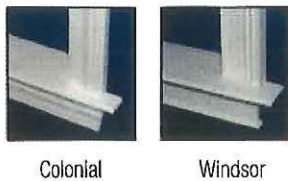
Grid Configurations



Custom configurations available

Interior Trim Kits

Harvey interior trim kits provide quality workmanship and a precision fit. Kits are available in seven different popular profiles in either clear or primed pine.



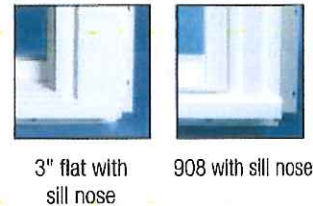
Colonial

Windsor

Note: Interior trim and exterior casing available for new construction styles only. Other trim and casing styles available. Ask your contractor for details.

Exterior Casing

To enhance the beauty of your Tribute window, Harvey also offers maintenance-free vinyl exterior casing for new construction applications. The factory-applied casing with fusion-welded corners eliminates the need for exterior caulking and produces a clean, upscale look.



3" flat with sill nose

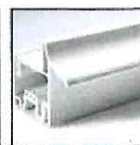
908 with sill nose

Locks & Lifts

Tribute features a low profile sash lock to complement its sleek design. For added convenience when operating the window, optional integral or applied white lift handles are available on the lower sash at no extra charge.



Low-profile Sash Lock
(White is standard)



Integral Lift Handle
(White only)



Applied Lift Handle
(White is standard)



White

Brushed Nickel

Oil-Rubbed
Bronze

Due to printing limitations, finishes and colors shown for representation only.

Thermal Performance (Tribute Double Hung)

For the most up to date structural and thermal performance values, as well as other product specifications, visit harveybp.com.

Glazing	U-Factor	SHGC	Visible Light Transmittance	ENERGY STAR Compliance
High Performance Pkg	0.17	0.24	0.44	N, NC, SC, S
Standard Double Low-E/Argon*	0.25	0.29	0.52	N, NC

*Surpasses ENERGY STAR requirements

ENERGY STAR: This package includes everything that is needed for a product to meet ENERGY STAR requirements. Glazing, gas, glass thickness, etc. will vary by window and usually includes Low-E coating and Argon gas. This glazing package does qualify for ENERGY STAR.

U-factor measures the rate of non-solar heat transfer from one side of the window to the other. Heat transfer implies both heat loss out of a living space during cold weather and non-solar heat gain during hot summer months. The lower the U-factor, the better the performance.

Solar Heat Gain Coefficient (SHGC) measures how well a product blocks heat from the sun. The lower the SHGC, the better a product is at blocking unwanted heat gain.

Visible Transmittance (VT) measures how much light comes through a product. The higher the VT, the more light that comes through.

High Performance Package This package is available on our premium Tribute windows as well as select accessory windows. It incorporates triple glazing and Krypton gas for maximum energy efficiency. This glazing package exceeds ENERGY STAR requirements.



About Harvey Building Products

Harvey has built a solid reputation as a leading manufacturer and distributor of quality building products. A privately owned and operated business with over 50 years' experience, Harvey Building Products is known for outstanding craftsmanship and superior service as well as standing behind every product we make. In addition to manufacturing durable, attractive windows, doors and porch enclosures, Harvey distributes a full line of highly respected building products to professional contractors and builders throughout the Northeast.

We understand what it takes to be part of your home.®



Harvey Building Products
1400 Main Street
Waltham, MA 02451-1623 USA
800-9HARVEY (800-942-7839)



Information about Harvey Building Products and our products and services can be found at harveybp.com.

Follow us:    

All representations of colors and/or finishes in this brochure are mechanically reproduced and may vary from the actual product.

16-015



Thermal Performance (Tribute Double Hung)

For the most up to date structural and thermal performance values, as well as other product specifications, visit harveybp.com.

Glazing	U-Factor	SHGC	Visible Light Transmittance	ENERGY STAR Compliance
High Performance Pkg	0.17	0.24	0.44	N, NC, SC, S
Standard Double Low-E/Argon*	0.25	0.29	0.52	N, NC

*Surpasses ENERGY STAR requirements

ENERGY STAR: This package includes everything that is needed for a product to meet ENERGY STAR requirements. Glazing, gas, glass thickness, etc. will vary by window and usually includes Low-E coating and Argon gas. This glazing package does qualify for ENERGY STAR.

U-factor measures the rate of non-solar heat transfer from one side of the window to the other. Heat transfer implies both heat loss out of a living space during cold weather and non-solar heat gain during hot summer months. The lower the U-factor, the better the performance.

Solar Heat Gain Coefficient (SHGC) measures how well a product blocks heat from the sun. The lower the SHGC, the better a product is at blocking unwanted heat gain.

Visible Transmittance (VT) measures how much light comes through a product. The higher the VT, the more light that comes through.

High Performance Package This package is available on our premium Tribute windows as well as select accessory windows. It incorporates triple glazing and Krypton gas for maximum energy efficiency. This glazing package exceeds ENERGY STAR requirements.



About Harvey Building Products

Harvey has built a solid reputation as a leading manufacturer and distributor of quality building products. A privately owned and operated business with over 50 years' experience, Harvey Building Products is known for outstanding craftsmanship and superior service as well as standing behind every product we make. In addition to manufacturing durable, attractive windows, doors and porch enclosures, Harvey distributes a full line of highly respected building products to professional contractors and builders throughout the Northeast.

We understand what it takes to be part of your home.®



Harvey Building Products
1400 Main Street
Waltham, MA 02451-1623 USA
800-9HARVEY (800-942-7839)



Information about Harvey Building Products and our products and services can be found at harveybp.com.

All representations of colors and/or finishes in this brochure are mechanically reproduced and may vary from the actual product.

Follow us:    

