



REMOVE EXISTING IRON GRATE OVER DOOR

REMOVE & REPLACE RUSTED SHEETMETAL CLADDING ON EXISTING STEEL BEAM

EXISTING WOOD PANELS IN TRANSOM TO BE REMOVED AND REPLACED WITH NEW GLASS PANES

REMOVE EXISTING IRON GRATE AT DOOR ALCOVE

REPLACE EXISTING FIXED PANEL WINDOW WITH NEW CUSTOM WINDOW TO MATCH THE EXISTING SIZE, CONFIGURATION AND MUNTIN PROFILES. NEW SASH TO BE TRUE DIVIDED LIGHT WITH INSULATED CLEAR GLASS.



REPAINT ALL EXISTING SASH & BRICKMOLD TRIM AT WINDOWS (BENJAMIN MOORE NAVAJO WHITE OC-95)

REPLACE ALL SILLS & LINTELS WITH CAST STONE TO MATCH EXISTING (NORTHERN DESIGN ARCHITECTURAL PRECAST "BROWNSTONE-2" LIGHT ETCH FINISH)

REPLACE RUSTED SHEETMETAL CLADDING ON EXISTING STEEL BEAM & REPAINT (BENJAMIN MOORE DRAGONS BREATH 1547)

ADD NEW PANEL MOLDING TO MATCH EXISTING ON DOORS

REPLACE EXISTING WOOD PANELS IN TRANSOM WITH NEW GLASS PANES. PAINT SASH (BENJAMIN MOORE DRAGONS BREATH 1547)

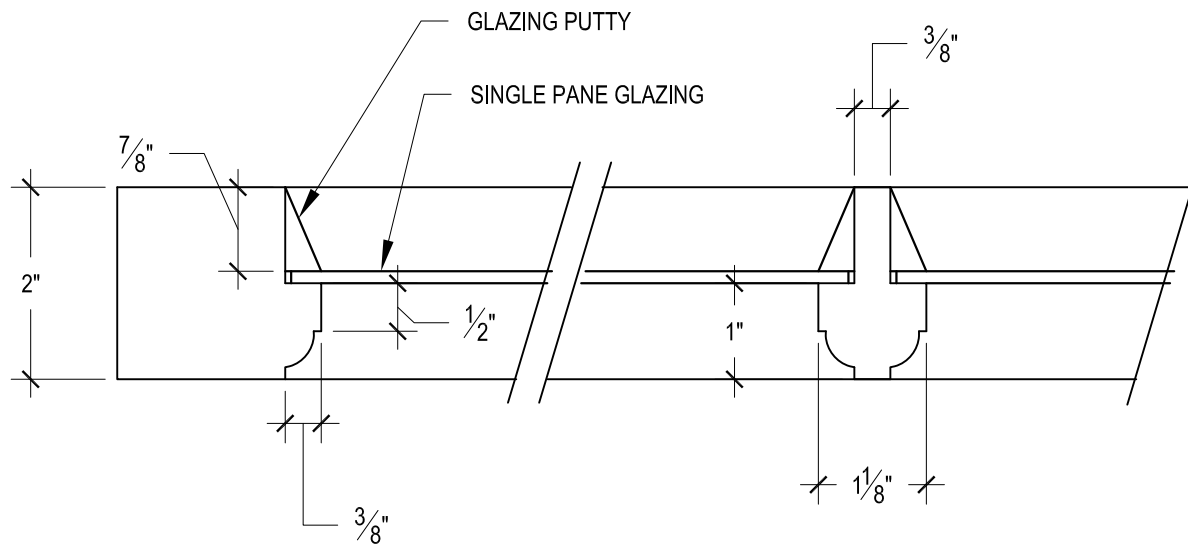
REPAIR EXISTING DOORS INCLUDING WEATHERSTRIPPING. REPAINT (BENJAMIN MOORE DRAGONS BREATH 1547)

REPAIR EXISTING RECESSED DOOR INCLUDING WEATHERSTRIPPING. REPAINT (BENJAMIN MOORE DRAGONS BREATH 1547)

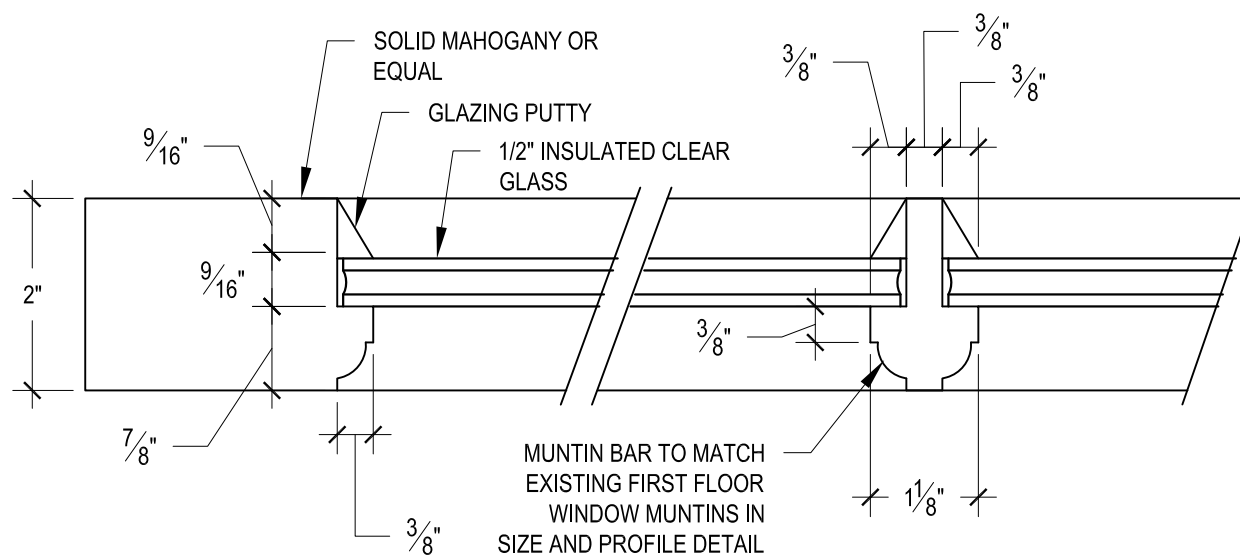
REPAIR OR REPLACE IN KIND ALL EXISTING WOODWORK & EXTERIOR TRIM.

REPAINT ALL WOOD TRIM (BENJAMIN MOORE DRAGONS BREATH 1547)

REPLACE EXISTING FIXED PANEL WINDOW WITH NEW CUSTOM WINDOW TO MATCH THE EXISTING SIZE, CONFIGURATION AND MUNTIN PROFILES. NEW SASH TO BE TRUE DIVIDED LIGHT WITH INSULATED CLEAR GLASS. PAINT NEW SASH (BENJAMIN MOORE DRAGONS BREATH 1547)



1 PLAN DETAIL OF EXISTING FIRST FLOOR WINDOW SASH (FIXED SASH)
6" = 1'-0"



2 PLAN DETAIL OF PROPOSED FIRST FLOOR WINDOW SASH (FIXED SASH)
6" = 1'-0"



① EXISTING FRONT FACADE



② PROPOSED FRONT FACADE



NORTHERN DESIGN
ARCHITECTURAL PRECAST & CAST STONE

SAMPLE NAME: "BROWNSTONE - 2"

SAMPLE FINISH: LIGHT ETCH FINISH

**PROJECT: CHESTNUT ST IN BEACON HILL
BOSTON, MA**

EACH PIECE OF OUR CUSTOM STONE IS INDIVIDUALLY HANDCRAFTED AND FINISHED TO SATISFY YOUR PREFERENCE IN COLOR & TEXTURE. MINOR VARIATIONS MAY OCCUR THROUGHOUT THE PRODUCTION PROCESS FROM DAY TO DAY, STONE TO STONE. APPROVAL OF THIS SAMPLE ACKNOWLEDGES THE UNDERSTANDING AND ACCEPTANCE OF THESE SLIGHT VARIATIONS.

51 INTERNATIONAL DRIVE
LOUDON , NEW HAMPSHIRE
603-783-8989 WWW.NDPRECAST.COM



FIRST FLOOR FIXED WINDOW SASH & STEEL BEAM



FIRST FLOOR FIXED WINDOW MUNTINS



WOOD PANELS IN TRANSOM

④ DETAILS OF EXISTING FACADE



LINTEL & STEEL BEAM DETAIL



WOODWORK & EXTERIOR TRIM

⑤ DETAILS OF EXISTING FACADE



IRON GRATE & GATES



ENTRY DOORS

⑥ DETAILS OF EXISTING FACADE



⑦ NEIGHBORHOOD PRECEDENT SHOWING SIMILAR COLOR MONOCHROME MILLWORK FACADE



⑧ HISTORIC IMAGE OF PROPERTY INDICATING LIGHTER COLOR SCHEME AT FACADE