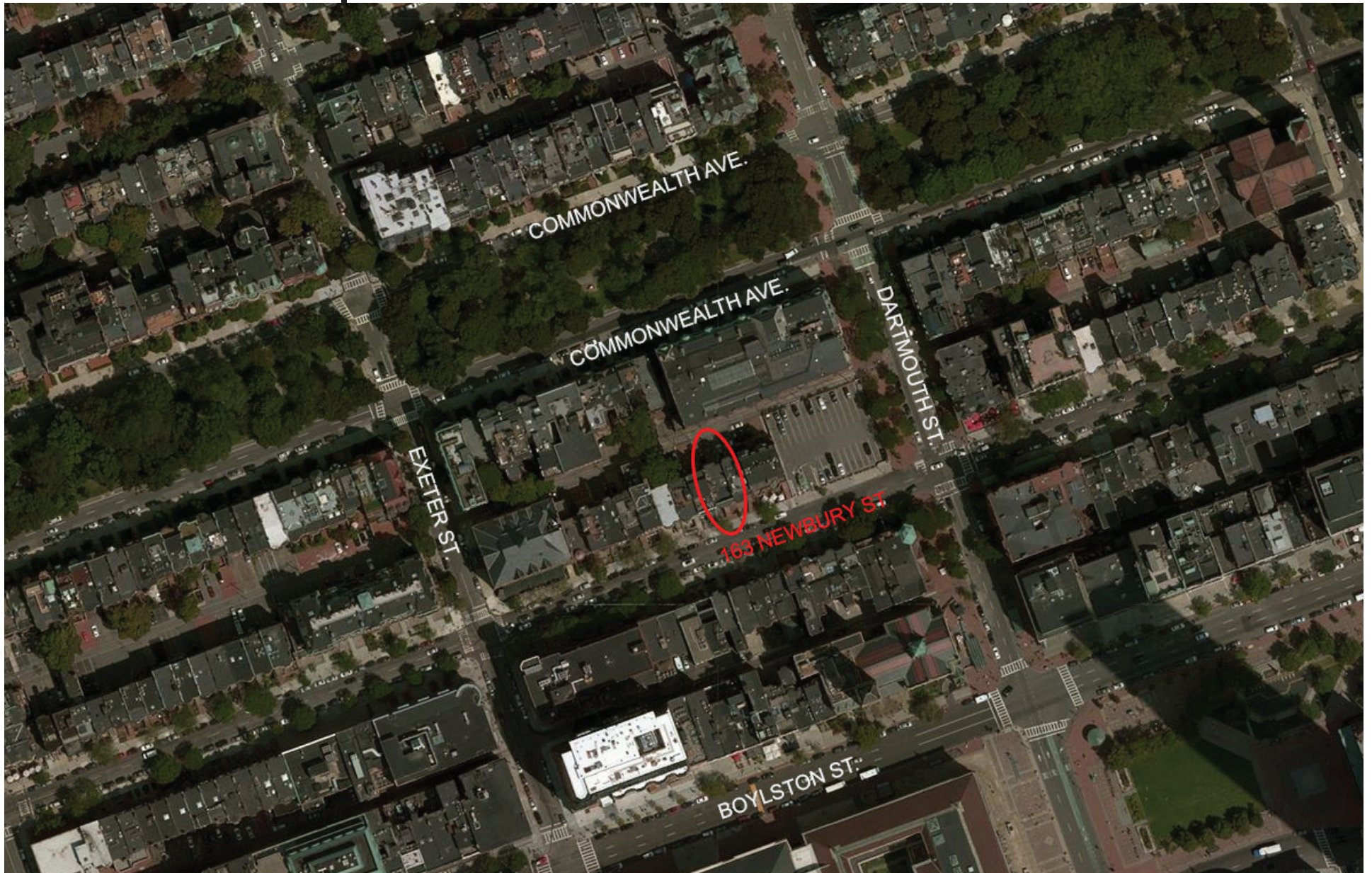


Double Zero | Neighborhood Context



Improvements Currently Under Construction Were Submitted & Approved Under Application #'s:

18.1363 BB - Patio Stair Reconfiguration (Amendment to 17.987)

17.987 BB - 4th Floor And 2-Story Rear Additions

17.124 BB - Relocating Entry Door & Bridge, ADA Rear Entrance

Alterations Proposed For Double Zero Restaurant:

1. Furnishings for Outdoor Dining

2. Signage - New Design in Previously Approved Locations

3. Louvered Panel In Existing Window Opening (Alley Facade)

4. Electric Heat Lamps

Double Zero | Adjacent Buildings



163 NEWBURY

Double Zero | Rendering Of Previously Approved Renovation to 163 Newbury Street*

163 Newbury Street

Ground Floor Tenant:
Double Zero Restaurant

A Vegan Pizza Restaurant Operated By Renowned Chef Matthew Kenney Serving Small Plate, Organic Pizza Prepared In An Electric Oven, Vegan Ice Cream and Organic Wines.

Alterations Proposed For Double Zero Restaurant:

1. Furnishings for Outdoor Dining
2. Signage - New Design in Previously Approved Locations
3. Louvered Panel In Existing Window Opening (Alley Facade)
4. Post-Mounted Electric Heat Lamp

Double Zero Sign 1: —————
Above Door, See Pages: 4, 9 & 11

Double Zero Sign 2: —————
Under Bridge, See Pages: 6 & 11



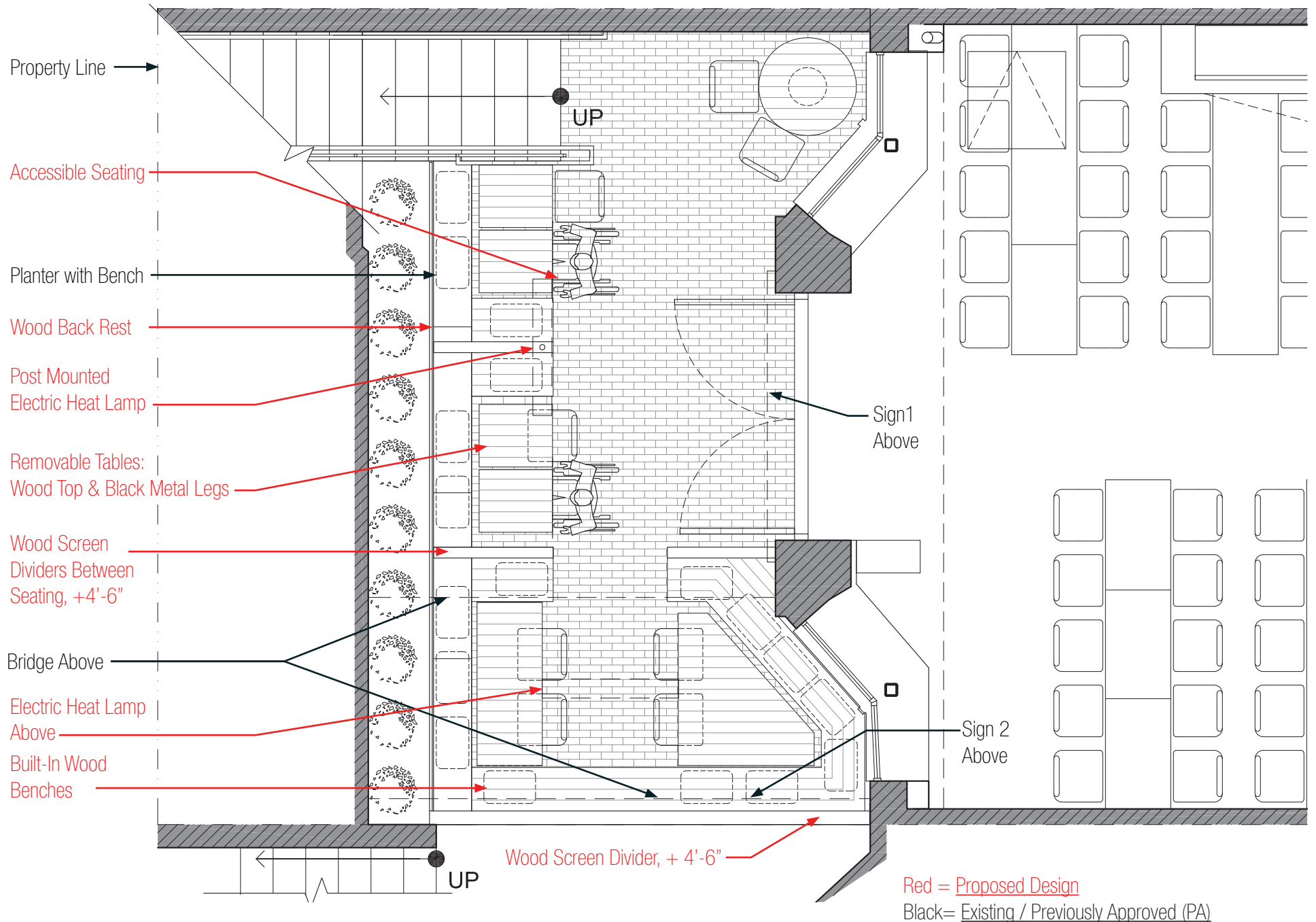
*Conceptual Rendering Of Renovations Currently Under Construction Provided By Building Owner. (Prior To Ground Floor Tenant Application)

Double Zero | View from Street

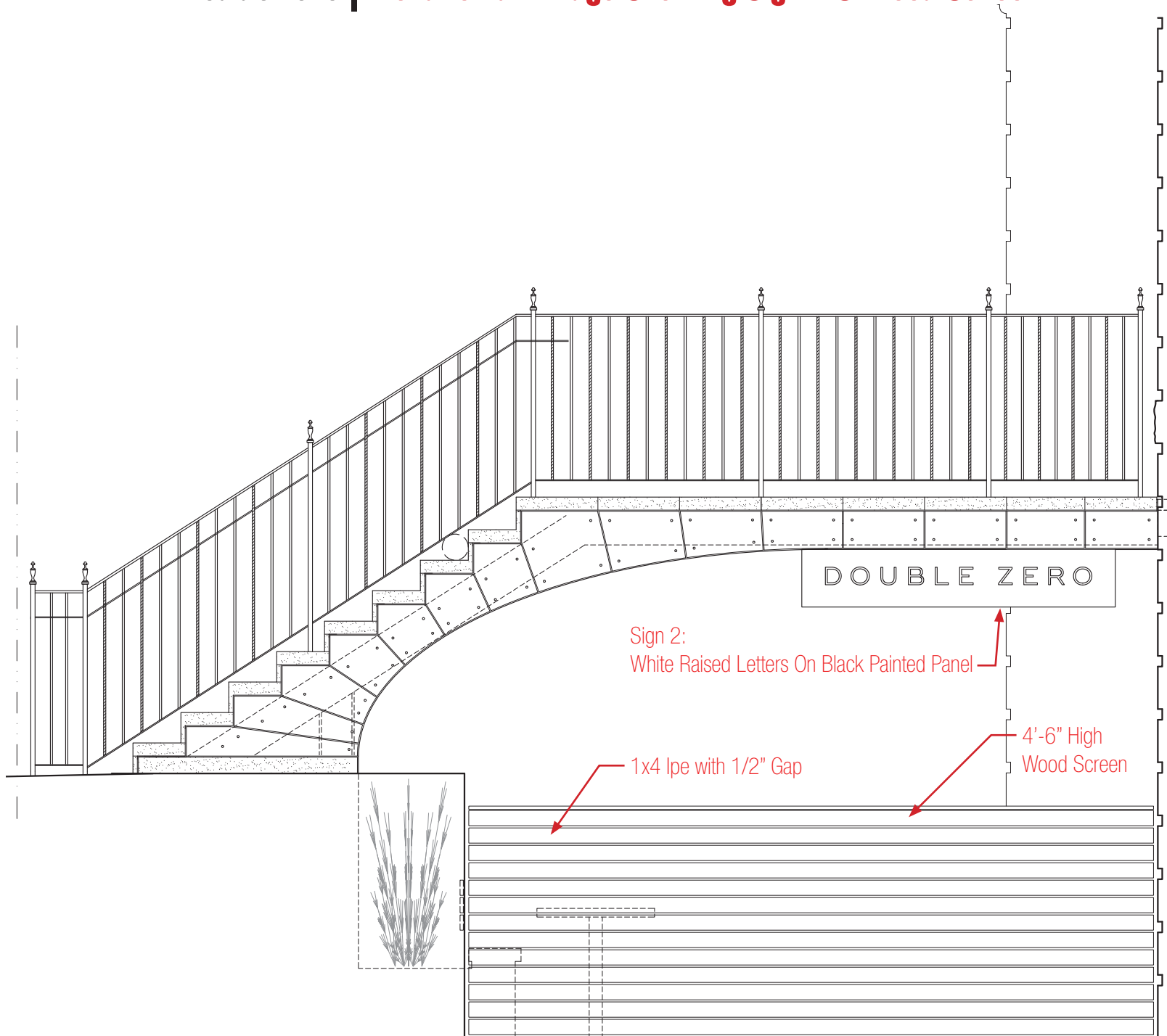
Double Zero Sign 1:
White Raised Letters On Bronze Anodized Panel



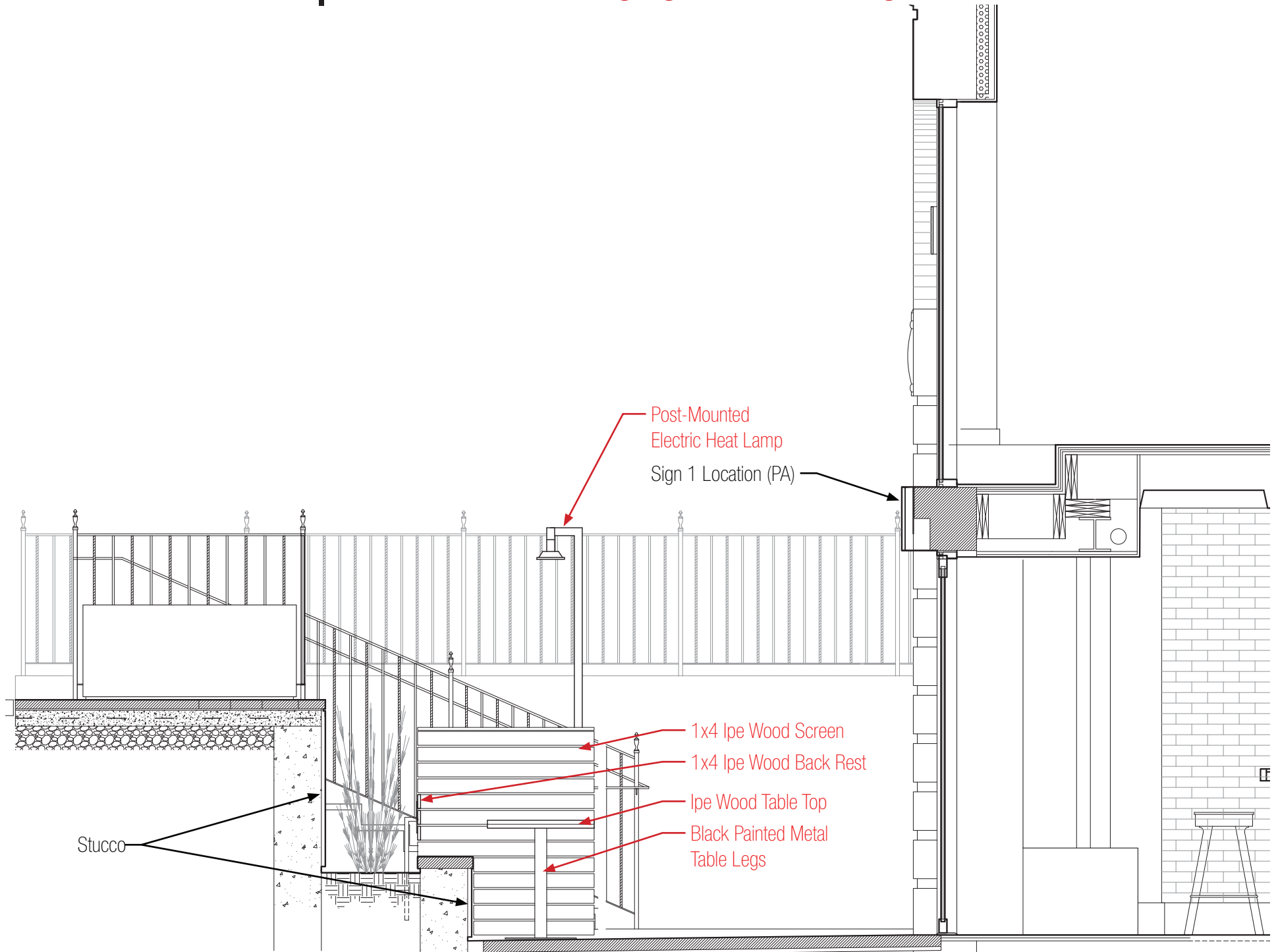
Double Zero | Patio Layout, Furnishings



Double Zero | Elevation at Bridge Showing Sign 2 & Wood Screen



Double Zero | Section at Patio Showing Sign 1 and Furnishings in Section

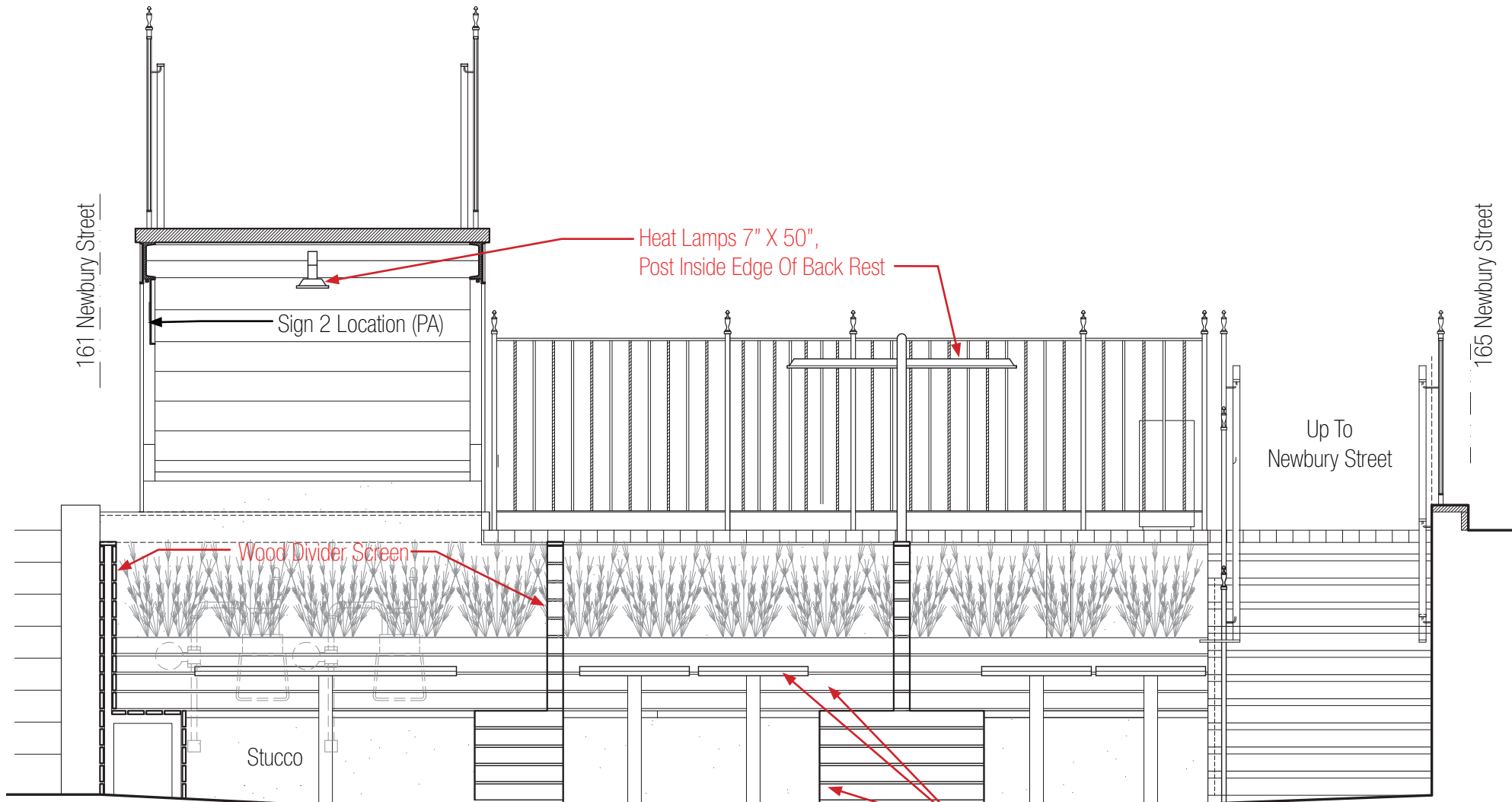


Double Zero | Section at Patio View To Newbury Street

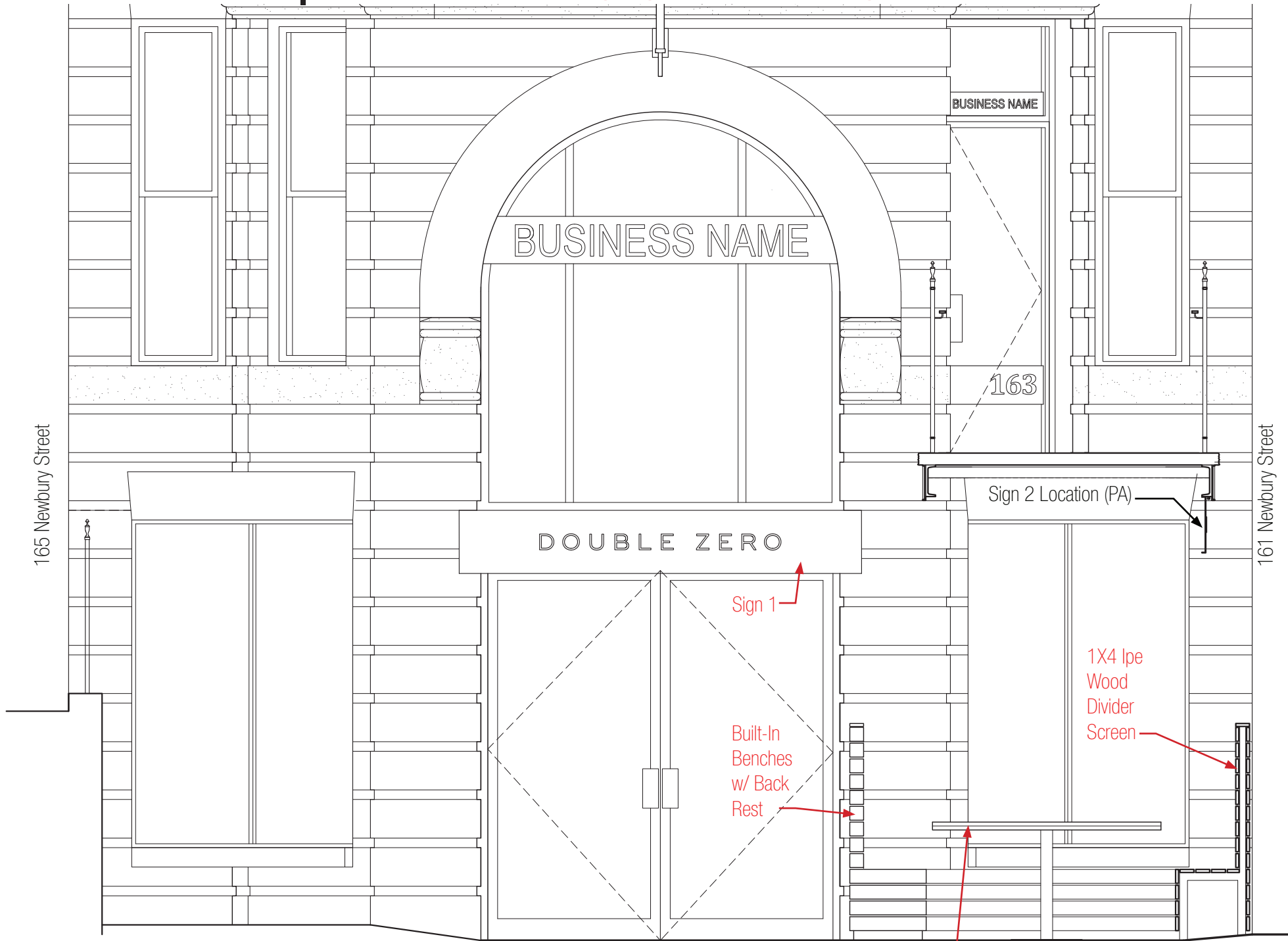
All Metal: Black Painted

All Wood: 1x4 lpe

Chairs Not Shown (See Page 12)



Double Zero | Section at Patio Showing Sign 1 and Furnishings in Section

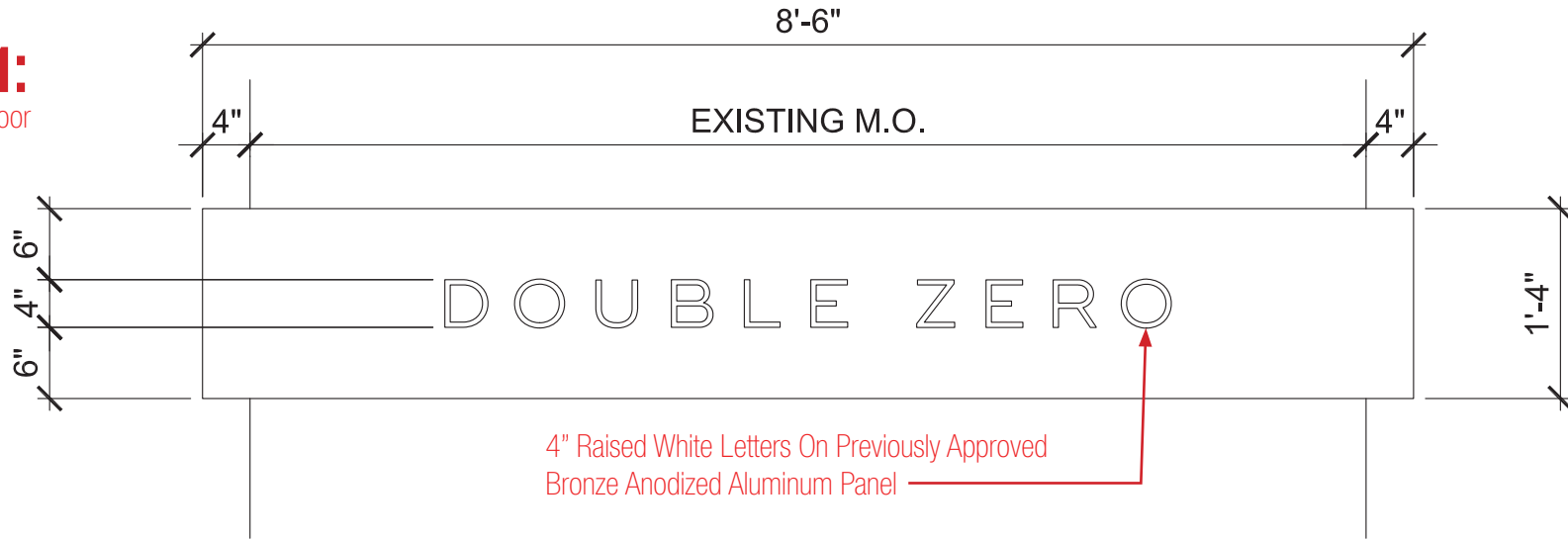


Double Zero | View Of Patio From 165 Newbury Street

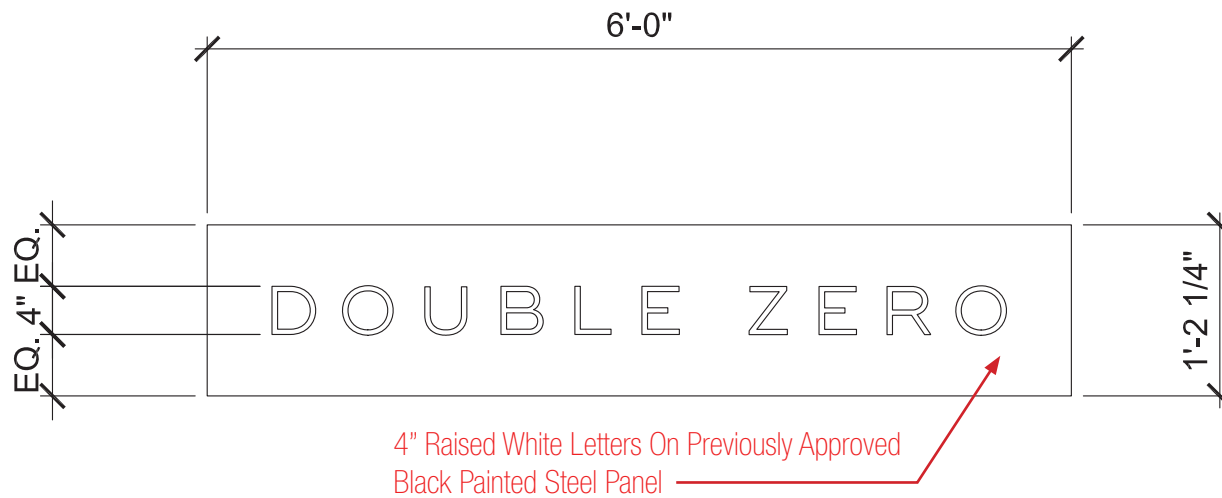


Double Zero | Sign Design

Sign 1:
Above Door

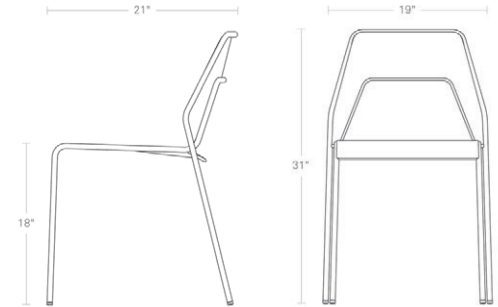


Sign 2:
Under Bridge



Double Zero | **Patio Chairs**

Proposed Patio Chairs:
Hot Mesh by BlueDot, Powder-Coated steel, black



Double Zero | Electric Heat Lamp

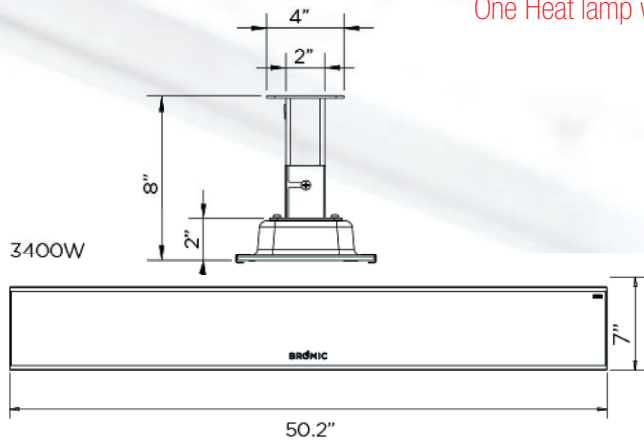


Glass Heating Element

This image shows an example configuration of the proposed heat lamp.

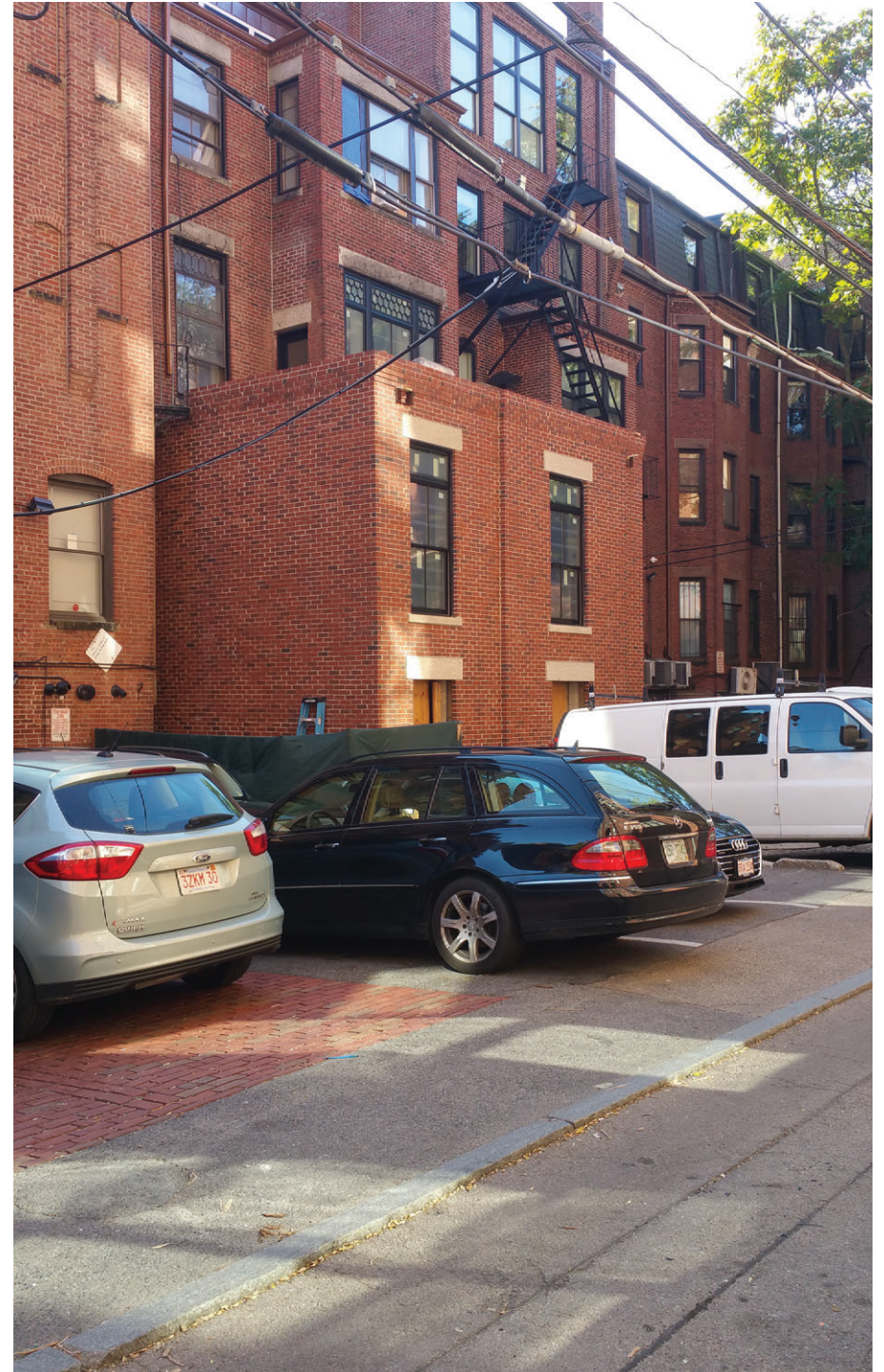
Proposed Configuration:

One heat lamp will be post mounted. Post will be black painted steel & removable.
One Heat lamp will be ceiling mounted under the bridge.



Top of Lamp (Will be Black)

Double Zero | Rear Elevation - Under Construction



Double Zero | Rear Elevation - Proposed Air Intake Louver Panel



Existing



Proposed

New Louvered Panel in Existing Window Opening. Approximately 10 Sq. ft. Black Finish