



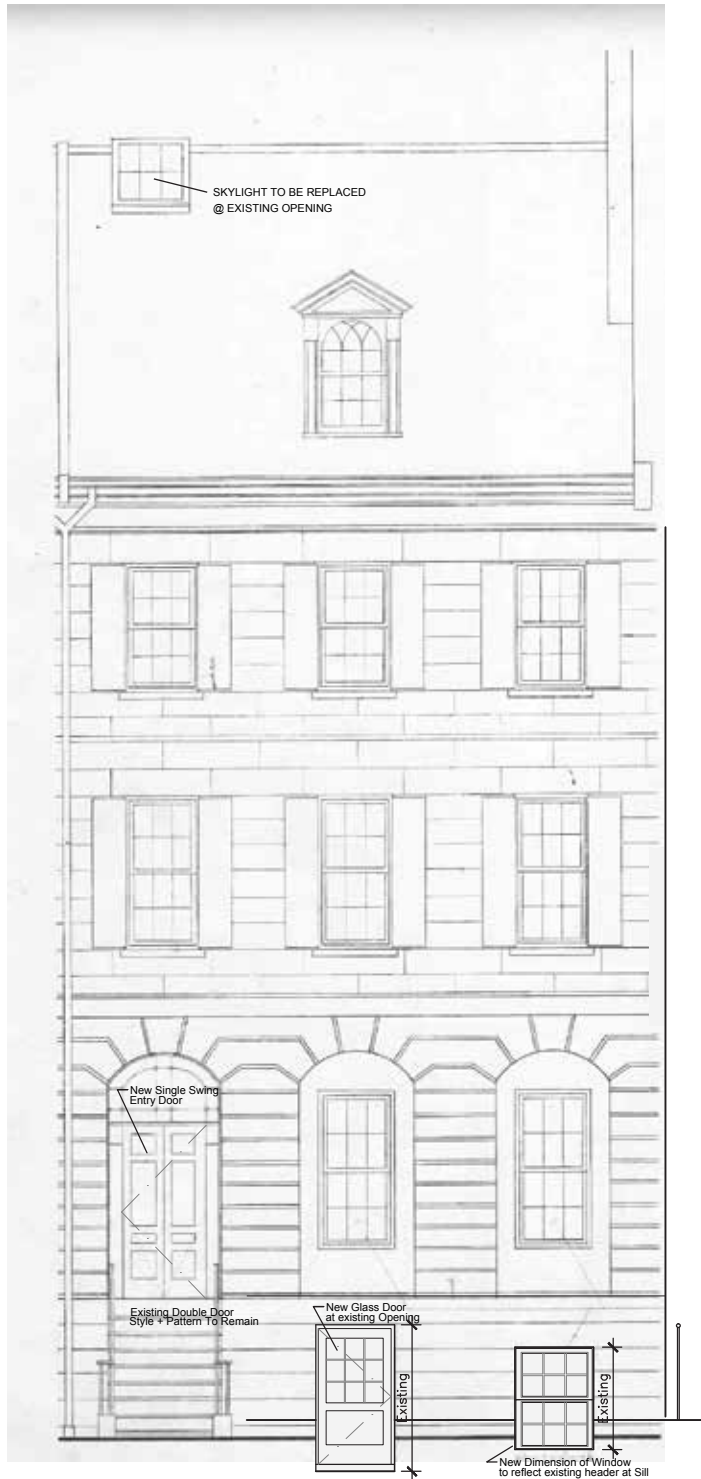








**72 Beacon St.**  
 Boston, MA



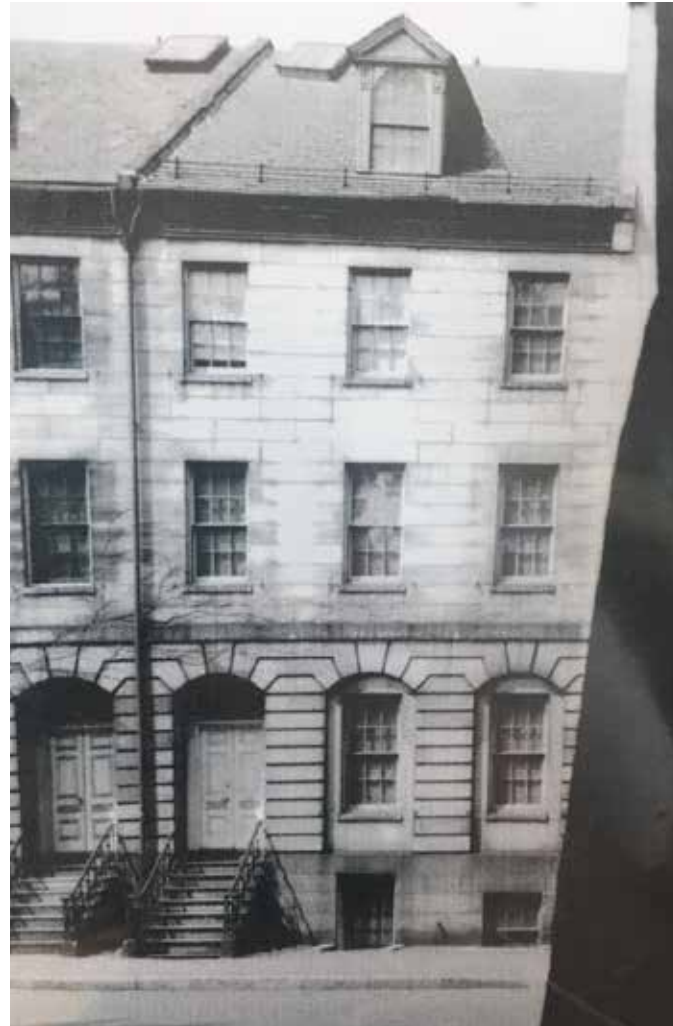
72 Beacon St. Front Elevation  
 Proposed



72 Beacon St. Front Elevation  
 April 12, 1983



Existing Roof



Old Photo



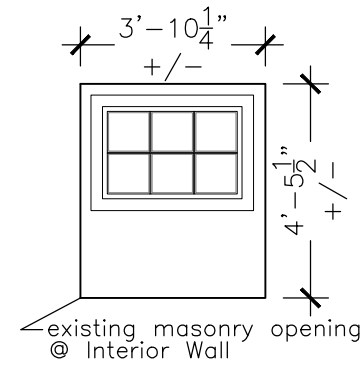
Existing Basement Entry

TITLE:  
 Facade Study

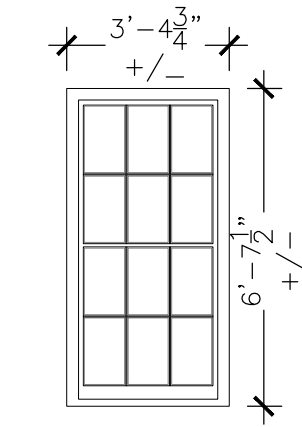
DATE:  
 9/20/2018

FOR:

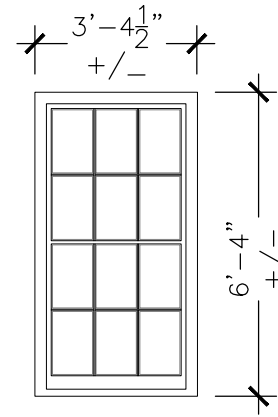
**E-1**



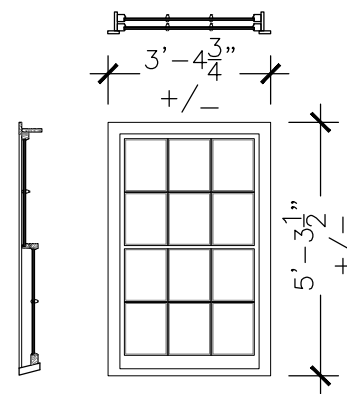
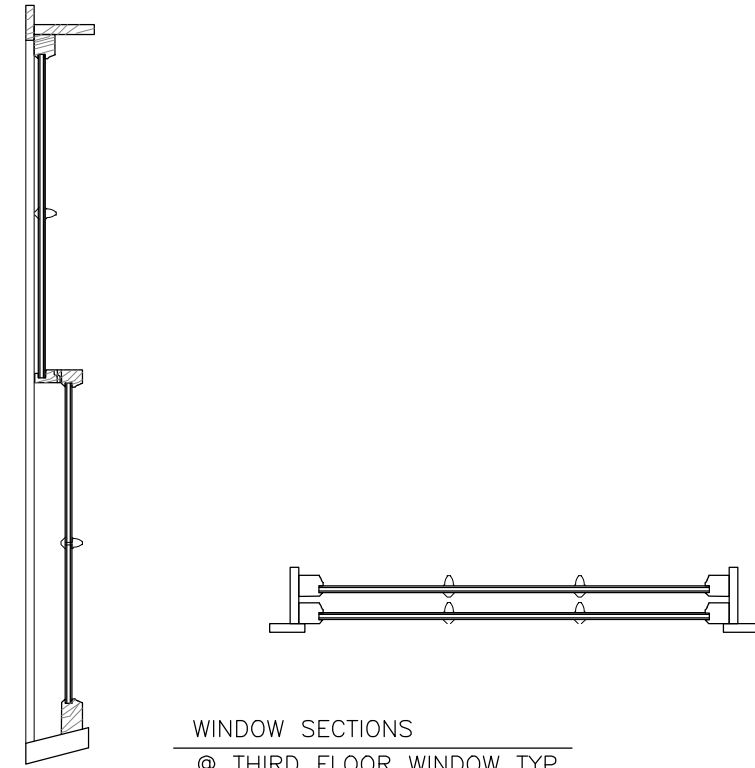
EXISTING BASEMENT WINDOW  
 CASEMENT WINDOW



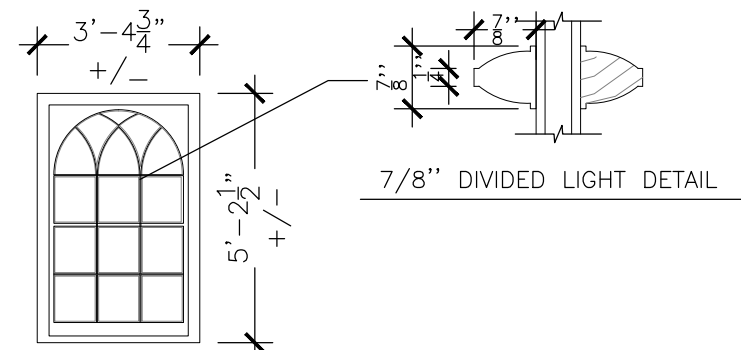
EXISTING FIRST FLR. WINDOW



EXISTING SECOND FLR. WINDOW



EXISTING THIRD FLOOR WINDOW



EXISTING THIRD FLOOR WINDOW

**72 Beacon St.**  
 Boston, MA

TITLE:  
 Facade Study

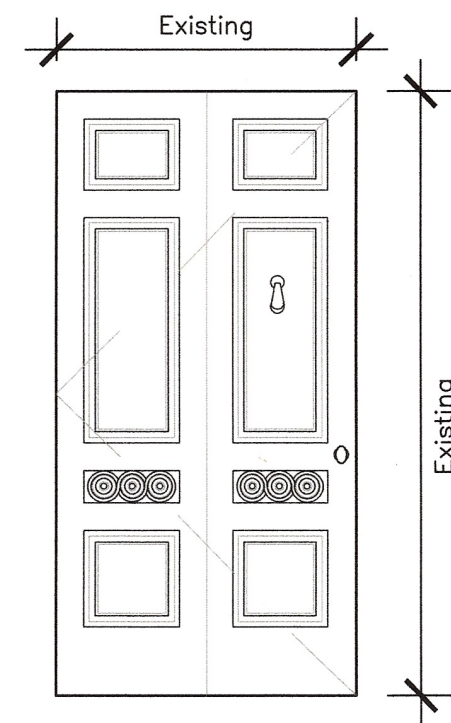
DATE:  
 9/20/2018

FOR:

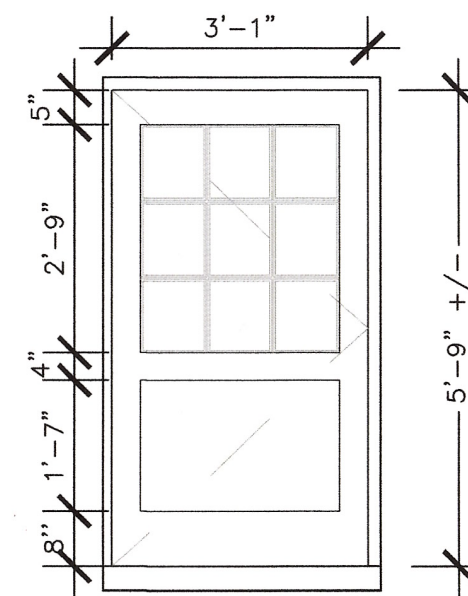
**72 Beacon St.**  
 Boston, MA



72 Beacon St. Front Elevation  
 Proposed



Proposed Single Swing Door  
 to Match Existing Front Door



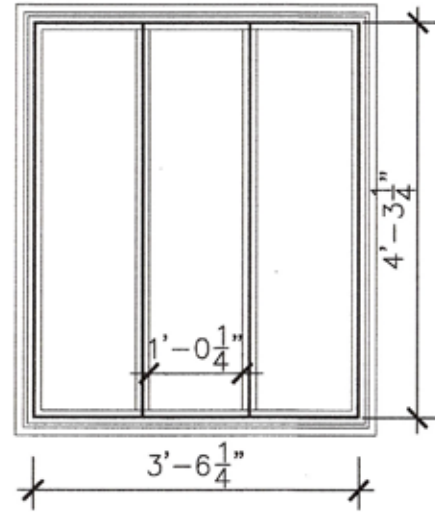
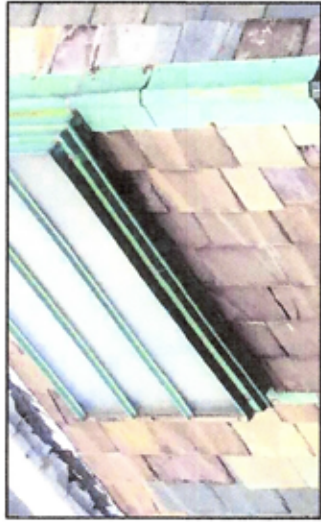
Proposed Door at Existing Garden Opening

TITLE:  
 Facade Study

DATE:  
 9/20/2018

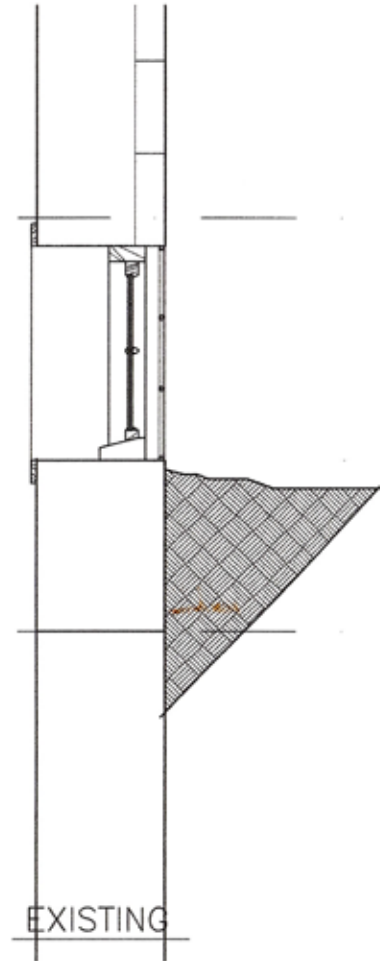
FOR:



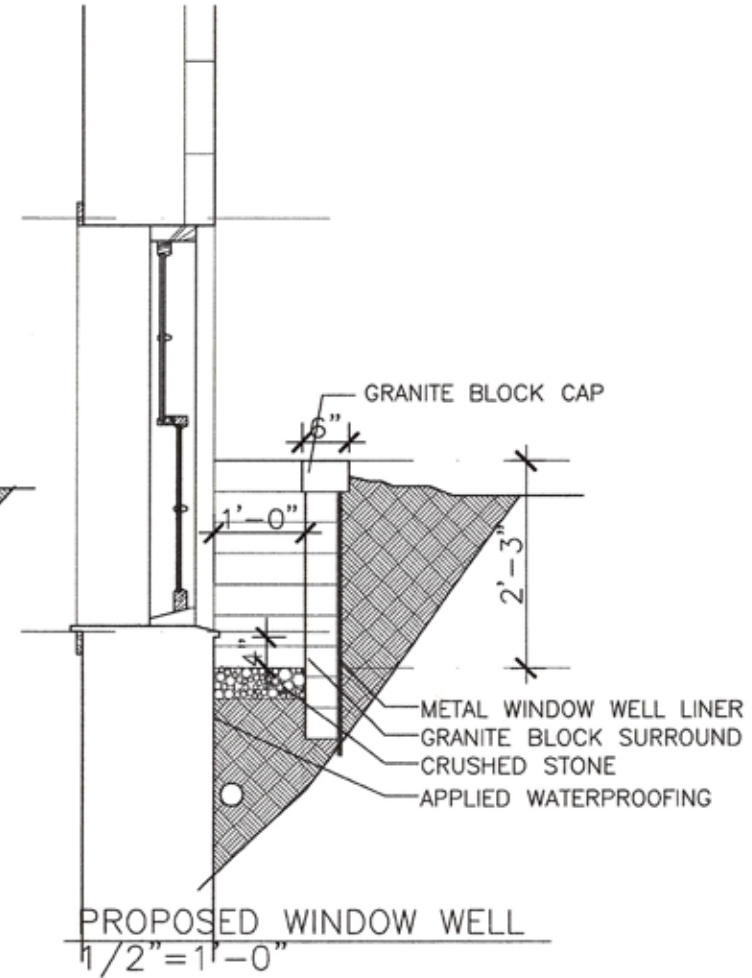


PROPOSED SKYLIGHT TO MATCH EXISTING DIMENSIONS & DETAIL

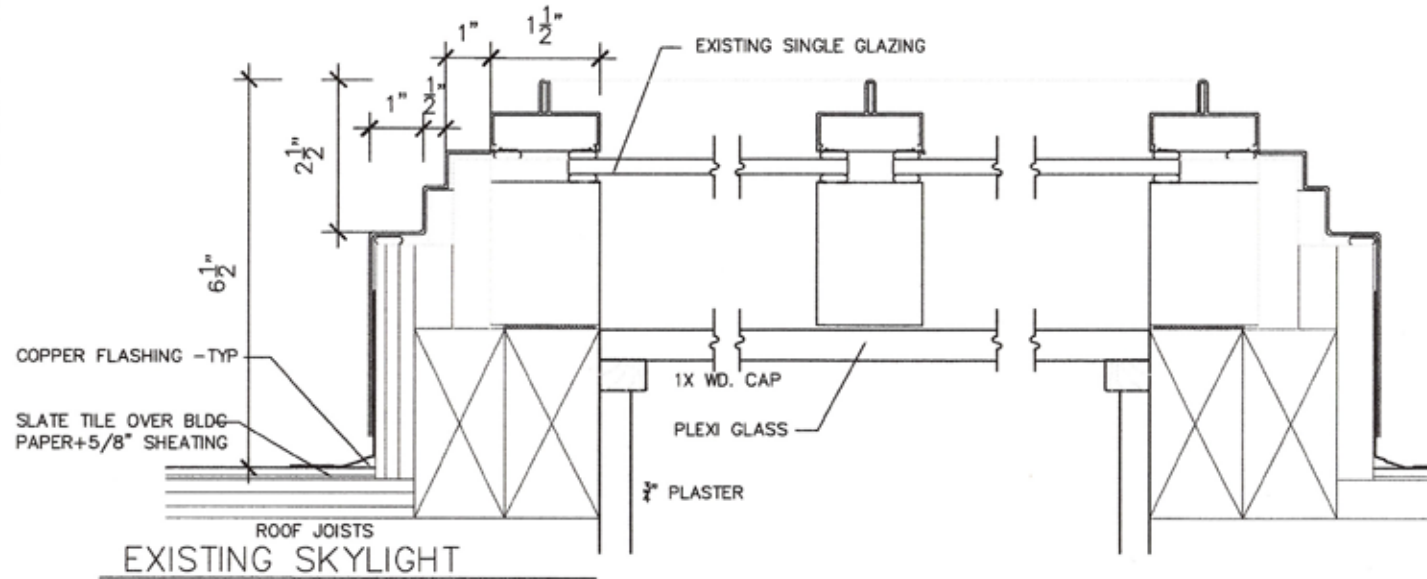
EXISTING COPPER CLAD FIXED SKYLIGHT ON CURB



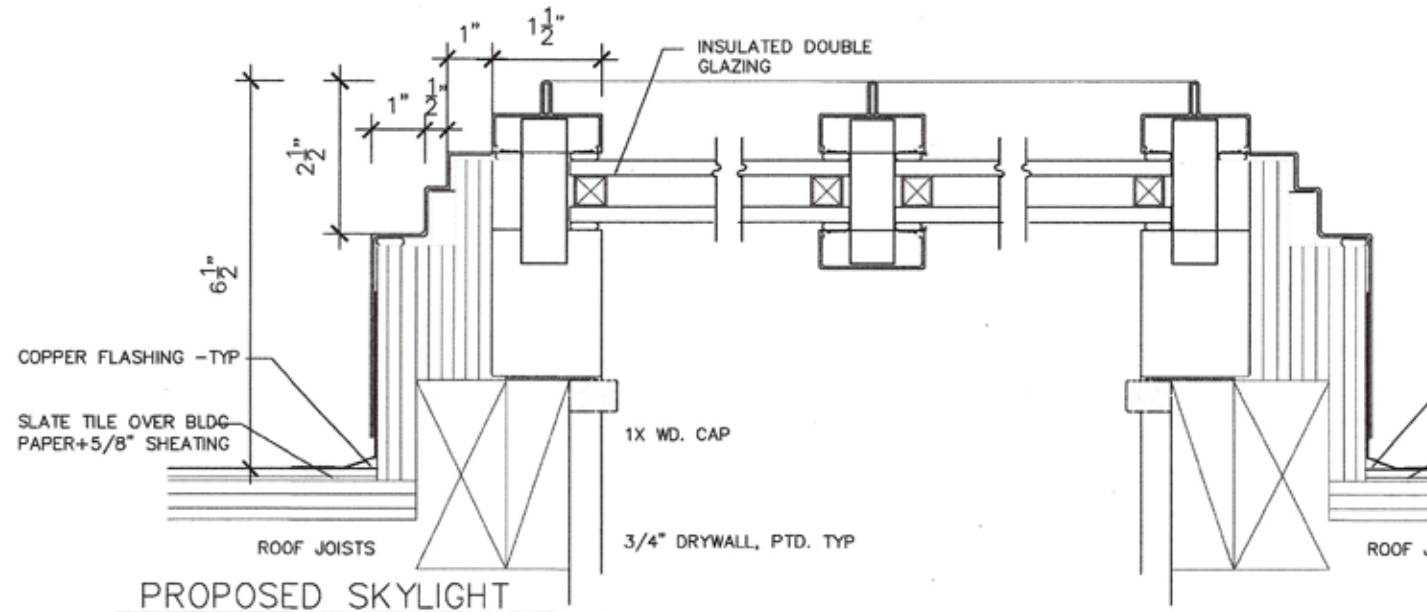
EXISTING



PROPOSED WINDOW WELL  
1/2" = 1'-0"



EXISTING SKYLIGHT



PROPOSED SKYLIGHT



PROPOSED WINDOW WELL

Lim Design Studio, Inc.  
46 Waltham Street #3  
Boston, MA 02118

72 Beacon Street  
Boston, MA

TITLE:  
SKYLIGHT  
WINDOW WELL

DATE:

9/26/2018

SCALE:

AS NOTED

E-4