

*** electrical feed from behind; concealed from visibility**
*** attachment at mortar joints; not through brick**

(1)...Single Sided Internally Illuminated Building Directory

- * 5" deep aluminum fabricated sign cabinet...cabinet painted Dark Bronze to match new entry canopy
- * tenant listings portion of sign is alum. fabricated with .125" CAM routed tenant panel openings...painted Dark Bronze
- * tenant panels are .25" acrylic push thru flush to face (no visible retainer)...masked and painted Dark Bronze to show illum. white test
- * tenant portion back-lit with white LED modules
- * 2" sq. aluminum tube decorative trim...painted Matte Silver to match door frames
- * UL listing and disconnect switch ...120 VAC

5.0"

CADWELL SIGN
Identify. Inform. Inspire.

CADWELL COMPANY, INC.
3 Kuniholm Drive | Holliston, MA 01746
P 508.429.3100 F 508.429.3284
www.cadwellsign.com
www.facebook.com/cadwellsignco

CLIENT:
55
THOMSON PLACE

SALES REP: J. Murray
 JOB LOCATION: Boston, MA
 SHEET: 1 of 4
 ORDER#:
 DATE: 12/14/17
 DRAWN BY: L. Hadfield

SCALE:
 55 Thomson Place
 Boston, MA

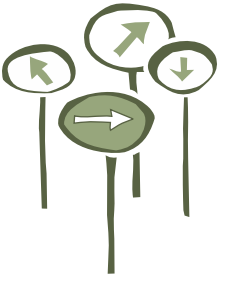
Rev 4/10/18

APPROVED
 APPROVED AS NOTED
 CLIENT SIGNATURE
 DATE



DTCC
SOFTBANK ROBOTICS
TENANT
TENANT
TENANT
TENANT

Simulated Illumination at Night



CADWELL SIGN
Identify. Inform. Inspire.

CADWELL COMPANY, INC.
3 Kuniholm Drive | Holliston, MA 01746
P 508.429.3100 F 508.429.3284
www.cadwellsign.com
www.facebook.com/cadwellsignco

CLIENT:

55
THOMSON PLACE

SALES REP: J. Murray

JOB LOCATION: Boston, MA

SHEET: 2 of 4

ORDER#:

DATE: 12/14/17

DRAWN BY: L. Hadfield

SCALE:

55 Thomson Place
Boston, MA

Rev 4/10/18

APPROVED

APPROVED AS NOTED

CLIENT SIGNATURE

DATE





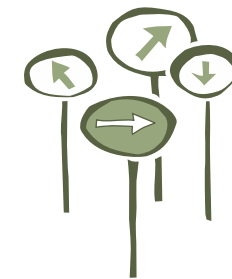
bottom edge of canopy

101.0"

53.0"

DTCC
 SOFTBANK ROBOTICS
 TENANT
 TENANT
 TENANT
 TENANT

*** electrical feed from behind; concealed from visibility**
*** attachment at mortar joints; not through brick**



CADWELL SIGN
 Identify. Inform. Inspire.

CADWELL COMPANY, INC.
 3 Kuniholm Drive | Holliston, MA 01746
 P 508.429.3100 F 508.429.3284
www.cadwellsign.com
www.facebook.com/cadwellsignco

CLIENT:

55
THOMSON PLACE

SALES REP: J. Murray

JOB LOCATION: Boston, MA

SHEET: 3 of 4

ORDER#:

DATE: 12/14/17

DRAWN BY: L. Hadfield

SCALE:
 55 Thomson Place
 Boston, MA

Rev 4/10/18

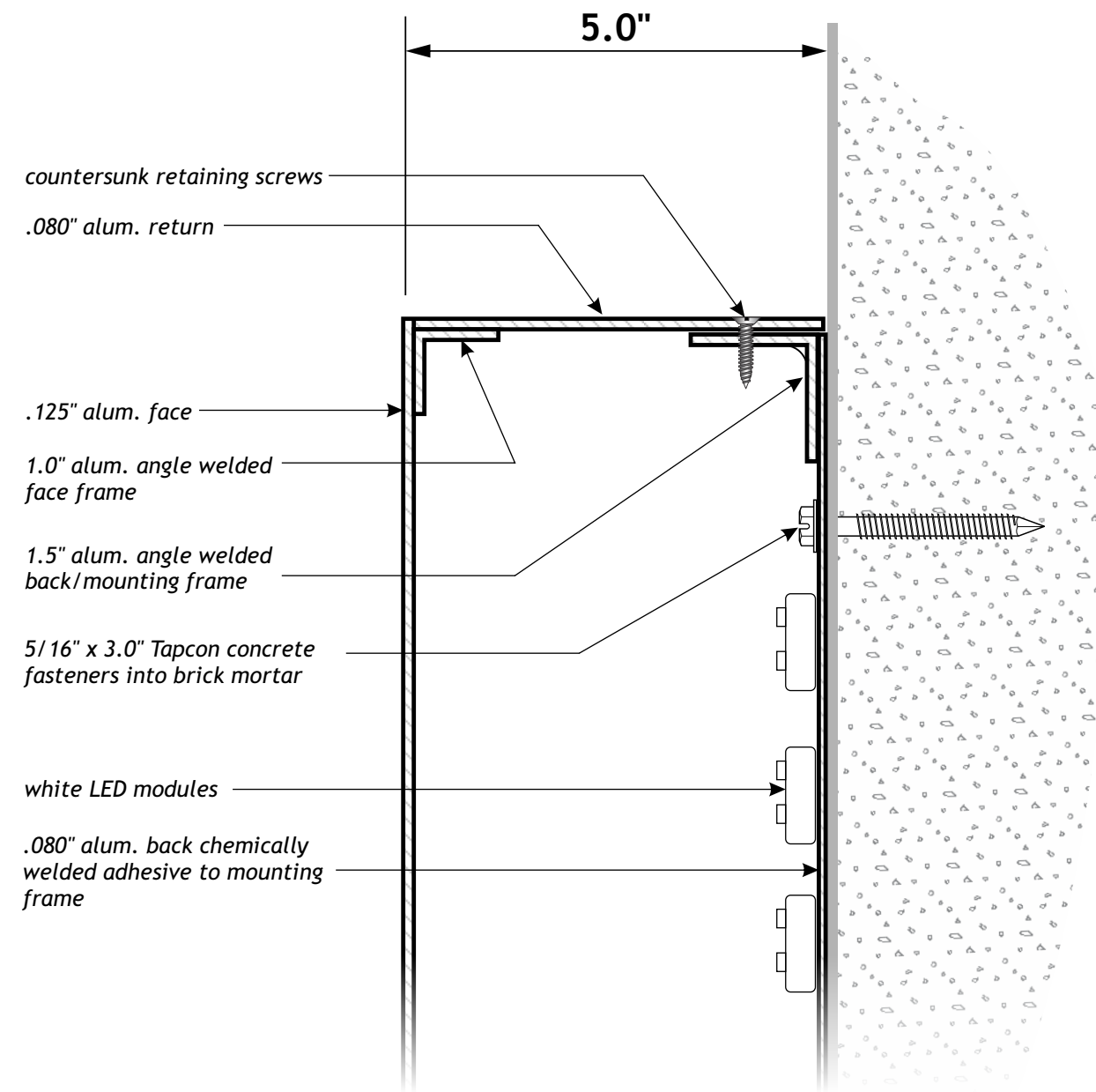
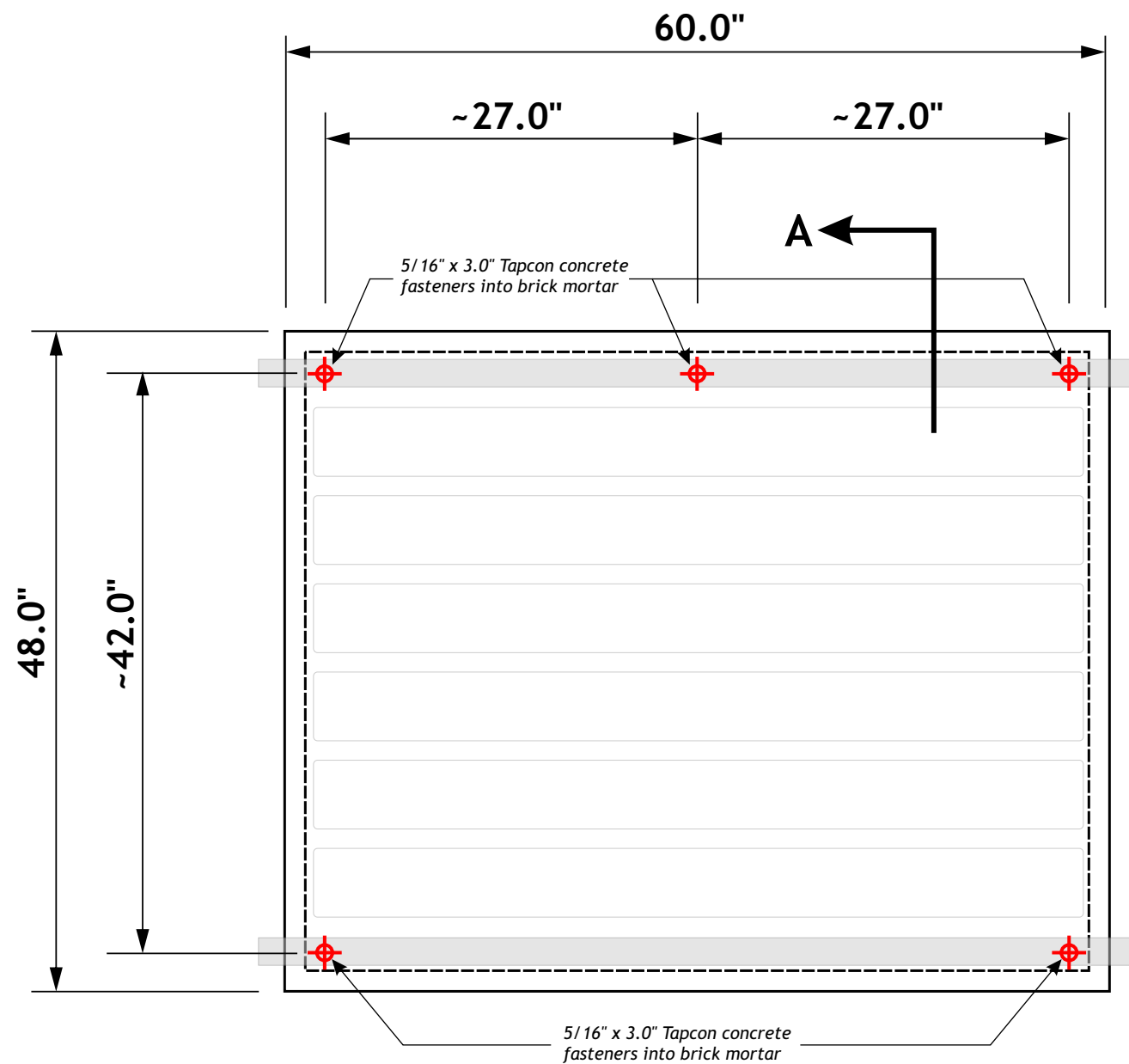
APPROVED

APPROVED AS NOTED

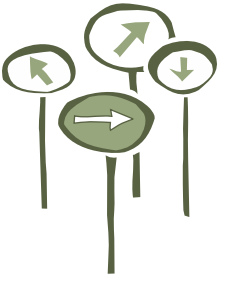
CLIENT SIGNATURE

DATE





Mounting Detail



CADWELL SIGN
Identify. Inform. Inspire.

CADWELL COMPANY, INC.
3 Kuniholm Drive | Holliston, MA 01746
P 508.429.3100 F 508.429.3284
www.cadwellsign.com
www.facebook.com/cadwellsignco

CLIENT:

55
THOMSON PLACE

SALES REP: J. Murray

JOB LOCATION: Boston, MA

SHEET: 4 of 4

ORDER#:

DATE: 12/14/17

DRAWN BY: L. Hadfield

SCALE:

55 Thomson Place
Boston, MA

Rev 4/10/18

APPROVED

APPROVED AS NOTED

CLIENT SIGNATURE

DATE

