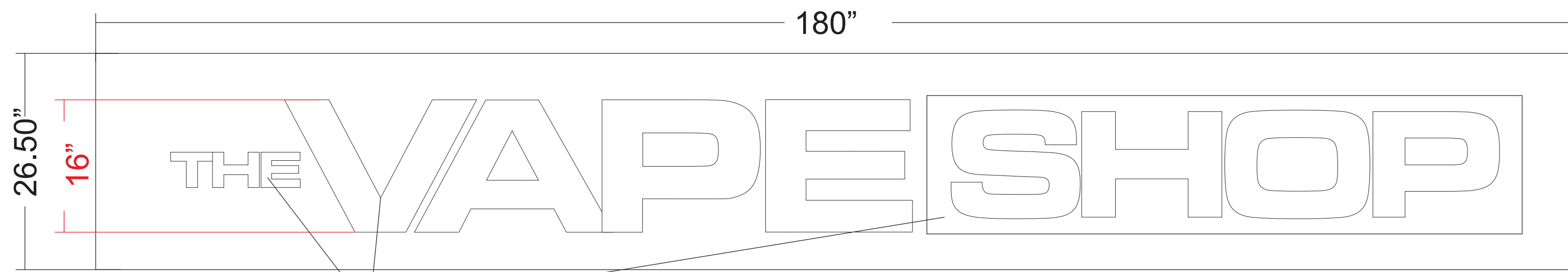


This drawing is the property of New CC Sign. The information contained herein may not be used, or reproduced, without written permission from New CC Sign. All reproductions, in whole or in part, must bear this statement or make reference to it. All work by New CC Sign to be done in a timely and workmanlike manner according to standard industry practices. Any alteration or deviation from the specs described herein resulting extra costs will be executed upon approval with the client. All material is guaranteed to be as specified. We reserve the right to substitute components it deems comparable due to unavailability or unexpected supplier delays. Client is ultimately responsible for final approval of all proofs, as well as all taxes, insurance, and fees associated with the project. 50% down payment due upon signing the contract. Balance due upon completion of project regardless of any inspection. Unpaid balance over 30 days will subject to 15% APR interest. All agreements are contingent upon strikes, accidents, or delays beyond our control. Some restrictions may apply.

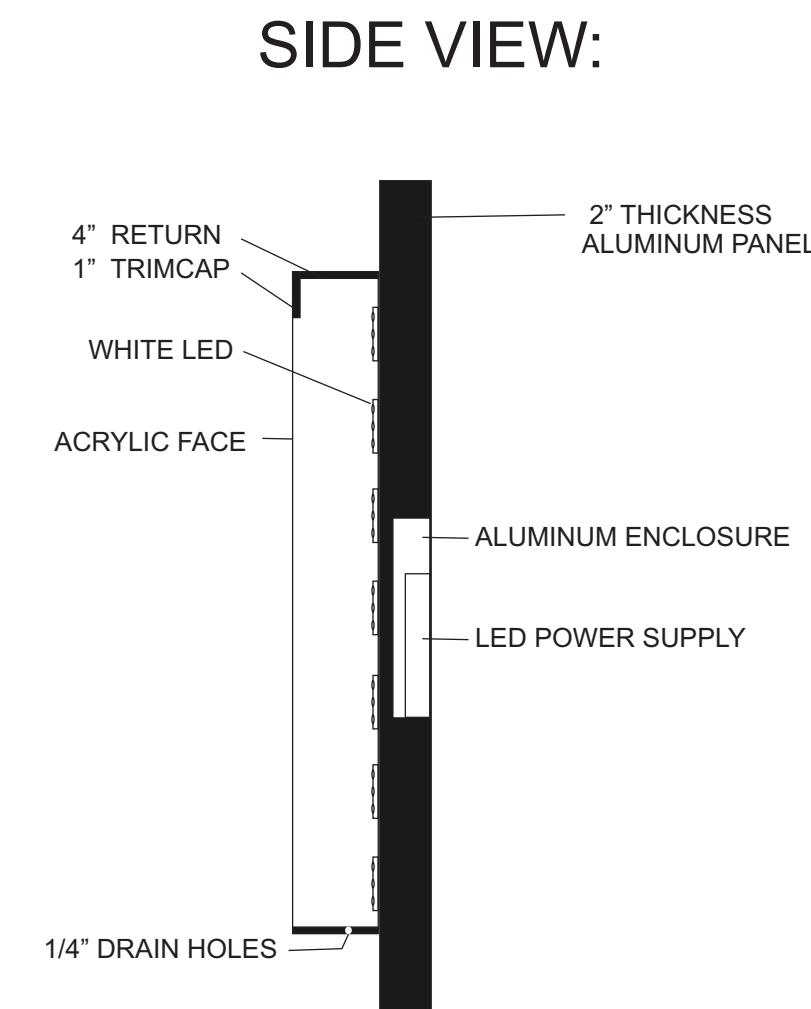
**NEW CC SIGN INC.**

70 Old Colony Ave., Boston, MA 02117  
Tel:617-210-7982 Fax:617-210-7983

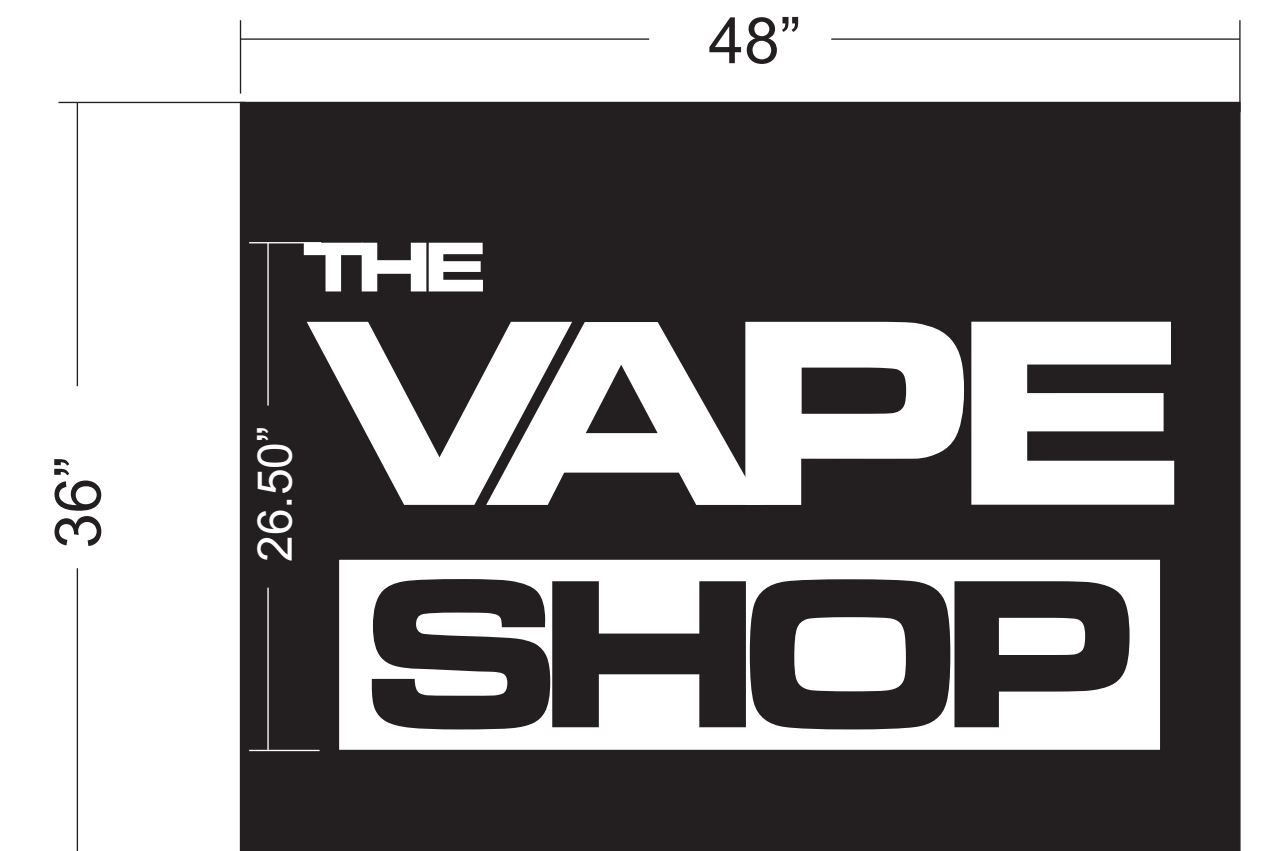
**LED Channel letters sign:**



Front-lit channel letters



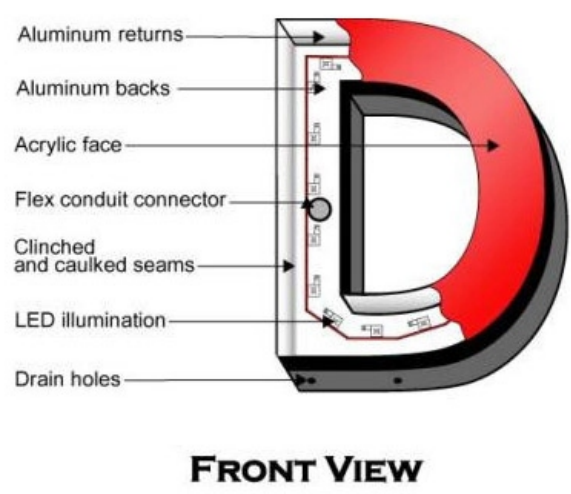
**Non-illuminated Aluminum Panel Sign**



**Specifications:**

- \* 040 matte black aluminum panel w/ Welded 1"x1" Galvanized tubing frame.
- \* Apply white vinyl

Sign installed in location shown on attached photo

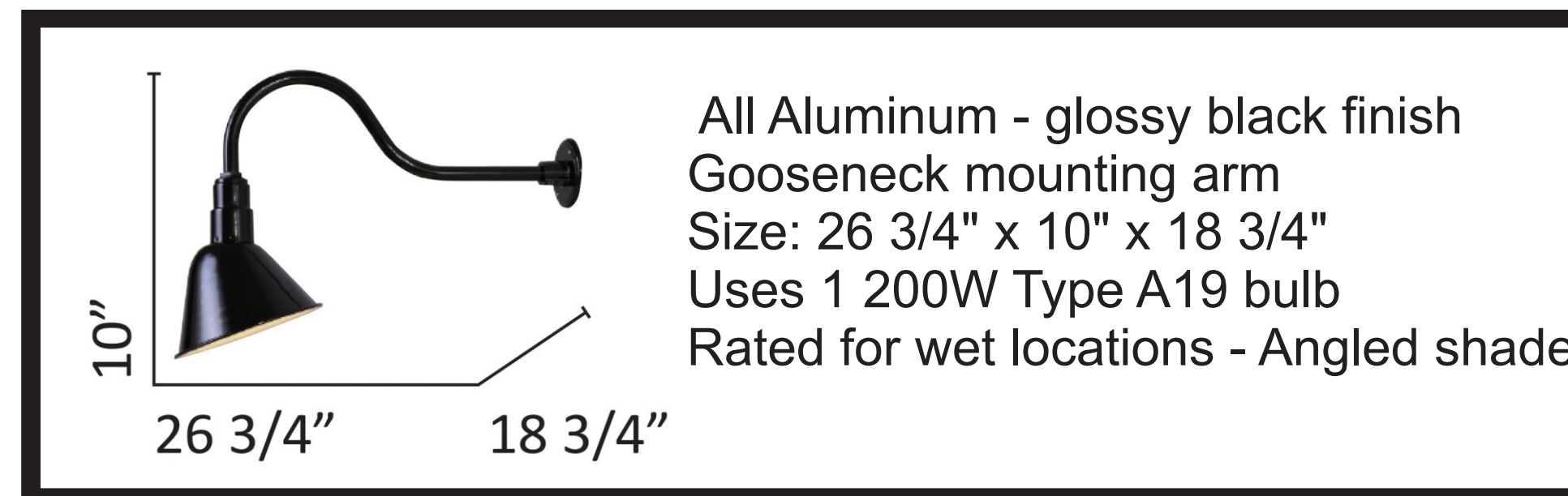


**Specifications:**

- \* 040 black aluminum panel w/ Welded 1"x1" Galvanized tubing frame.
- \* 040 white aluminum letter boxes 4" return w/ 1" white trimcap.
- \* 1/8" white and white acrylic faces.
- \* Internal white led lighting illumination, UL Listed.
- \* Letter boxes to be mounted on the panel.

Sign installed in location shown on attached photo

This sign is intended to be installed in accordance with the requirement of Article 600 of the National Electrical Code and/or other applicable local code. This includes proper grounding and bonding of the sign.



All Aluminum - glossy black finish  
Gooseneck mounting arm  
Size: 26 3/4" x 10" x 18 3/4"  
Uses 1 200W Type A19 bulb  
Rated for wet locations - Angled shade

**Existing**

**GOOSENECK STYLE LIGHTING**

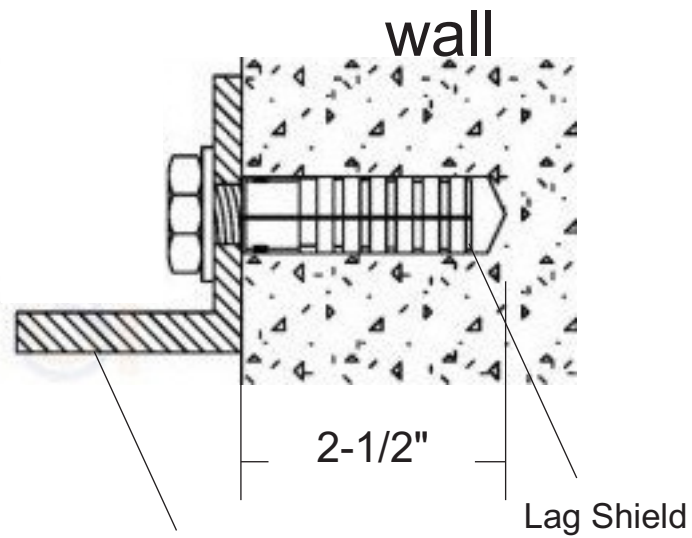
**Proposed**



Client Must Review & Approve all Drawing BEFORE production <small>The price, specifications and are hereby accepted. CC Sign is authorized to execute the project in this agreement.</small>	
CLIENT SIGNATURE	
PRINT NAME	DATE

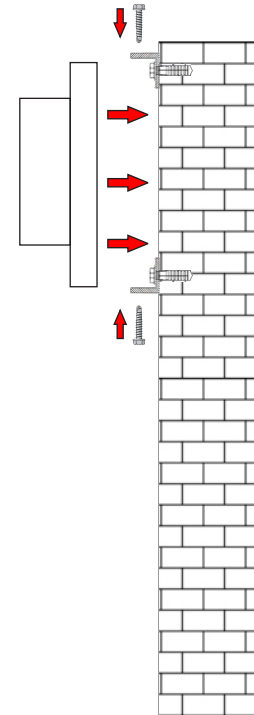
CLIENT	Jonathan Lau	JOB	03079
COMPANY	The Vape Shop	DRAWN	Ricky
ADDRESS	354A Chestnut Hill Ave.	TITLE	
CITY	Boston	ORDER DATE	03/20/2018
TEL	617-987-0093	FILED ID	

# Mounting



2" awning "L" bracket  
Finish: aluminum  
Thickness: 3/16"

Lag Shield  
Size: 2-1/2"  
Material: steel  
Finish: zinc  
Application: concrete, brick, stone



---

Each sign will be hold by 10 pieces of awning "L" bracket

---