

Job Name:	
System Reference:	Date:



Outdoor Unit: MXZ-5C42NA2

PROPOSED HVAC
HEAT PUMP UNIT

ACCESSORIES

- 3/8" x 1/2" Port Adapter (MAC-A454JP-E)
- 1/2" x 3/8" Port Adapter (MAC-A455JP-E)
- 1/2" x 5/8" Port Adapter (MAC-A456JP-E)
- 1/4" x 3/8" Port Adapter (PAC-493PI)
- 3/8" x 5/8" Port Adapter (PAC-SG76RJ-E)
- M-NET Adapter (PAC-IF01MNT-E)
- Base Heater (PAC-645BH-E)

(For data on specific indoor units, see the MXZ-C Technical and Service Manual.)

Specifications			Model Name
Unit Type			MXZ-5C42NA2
Cooling* (Non-ducted / Ducted)	Rated Capacity	Btu/h	40,500 / 37,400
	Capacity Range	Btu/h	6,000 - 43,000
	Rated Total Input	W	4,403 / 4,112
Heating at 47°F* (Non-ducted / Ducted)	Rated Capacity	Btu/h	45,000 / 41,000
	Capacity Range	Btu/h	7,200 - 53,600
	Rated Total Input	W	3,575 / 3,463
Heating at 17°F* (Non-ducted/Ducted)	Rated Capacity	Btu/h	24,400 / 23,000
	Rated Total Input	W	2,943 / 2,869
Electrical Requirements	Power Supply	Voltage, Phase, Hertz	208 / 230V, 1-Phase, 60 Hz
	Recommended Fuse/Breaker Size	A	40
	MCA	A	32.5
Voltage	Indoor - Outdoor S1-S2	V	AC 208 / 230
	Indoor - Outdoor S2-S3	V	DC ±24
Compressor			INVERTER-driven Scroll Hermetic
Fan Motor (ECM)		F.L.A.	2.43
Sound Pressure Level	Cooling	dB(A)	56
	Heating		58
External Dimensions (H x W x D)		In (mm)	41-9/32 x 37-13/32 x 13 (1048 x 950 x 330)
Net Weight		Lbs (kg)	189 (86)
External Finish			Munsell No. 3Y 7.8/11
Refrigerant Pipe Size O.D.	Liquid (High Pressure)	In (mm)	1/4 (6.35)
	Gas (Low Pressure)		A:1/2 (12.7) ; B,C,D,E: 3/8 (9.52)
Max. Refrigerant Line Length		Ft (m)	262 (80)
Max. Piping Length for Each Indoor Unit		Ft (m)	82 (25)
Max. Refrigerant Pipe Height Difference	If IDU is Above ODU	Ft (m)	49 (15)
	If IDU is Below ODU		49 (15)
Connection Method			Flared/Flared
Refrigerant			R410A

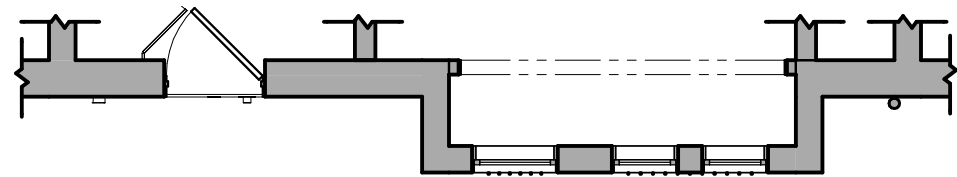
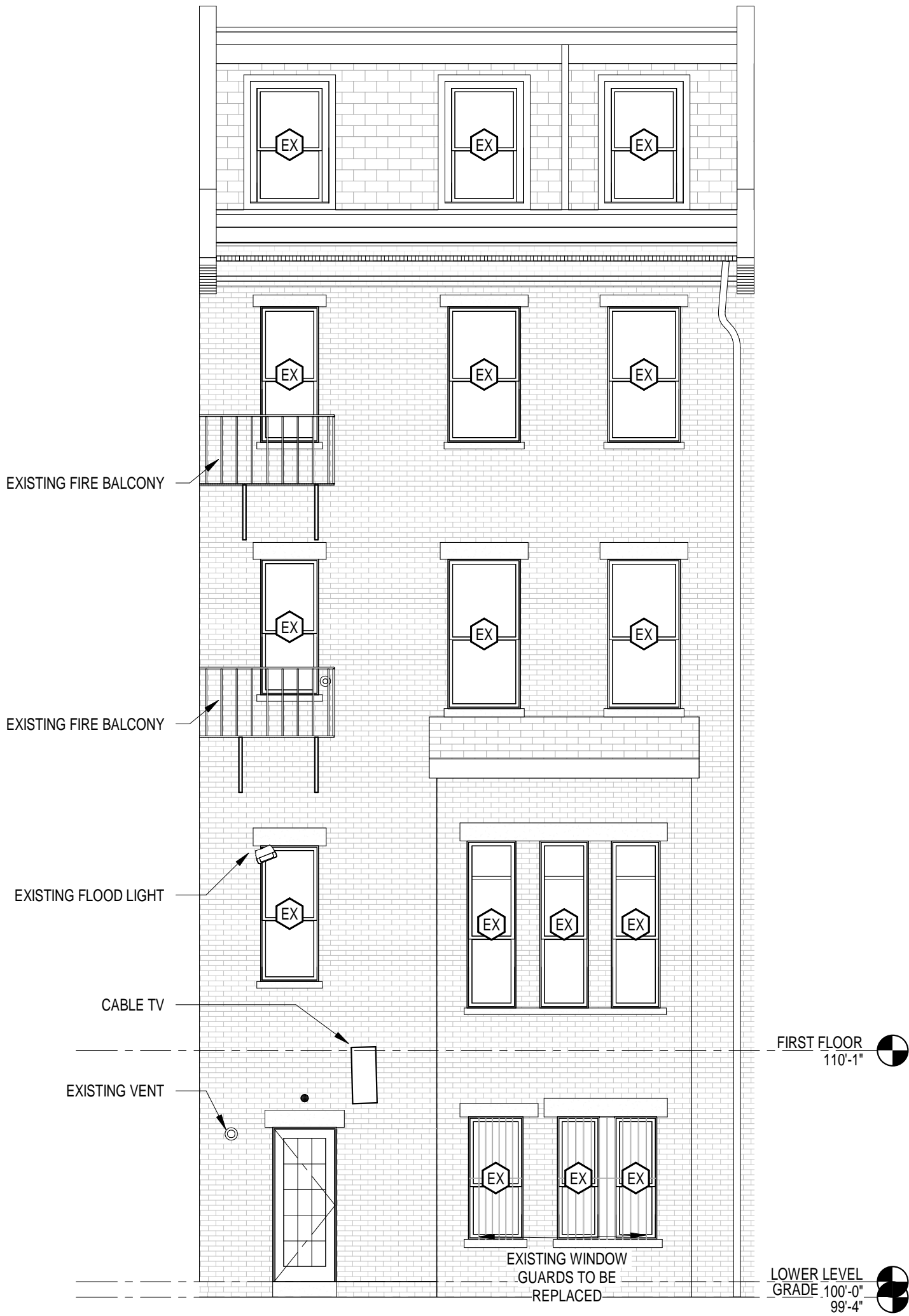
* *

* Rating Conditions per AHRI Standard:

Cooling | Indoor: 80° F (27° C) DB / 67° F (19° C) WB
Cooling | Outdoor: 95° F (35° C) DB / 23.9° C (75° F) WB

Heating at 47° F | Indoor: 70° F (21° C) DB / 60° F (16° C) WB
Heating at 47° F | Outdoor: 47° F (8° C) DB / 43° F (6° C) WB

Heating at 17° F | Indoor: 70° F (21° C) DB
Heating at 17° F | Outdoor: 17° F (-8° C) DB / 15° F (-9° C) WB



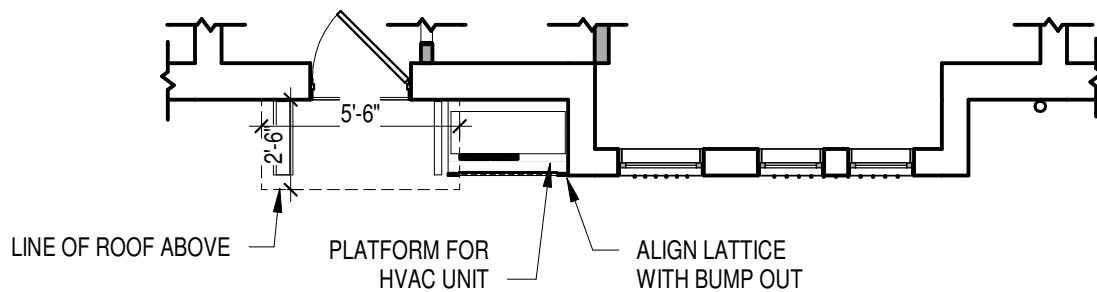
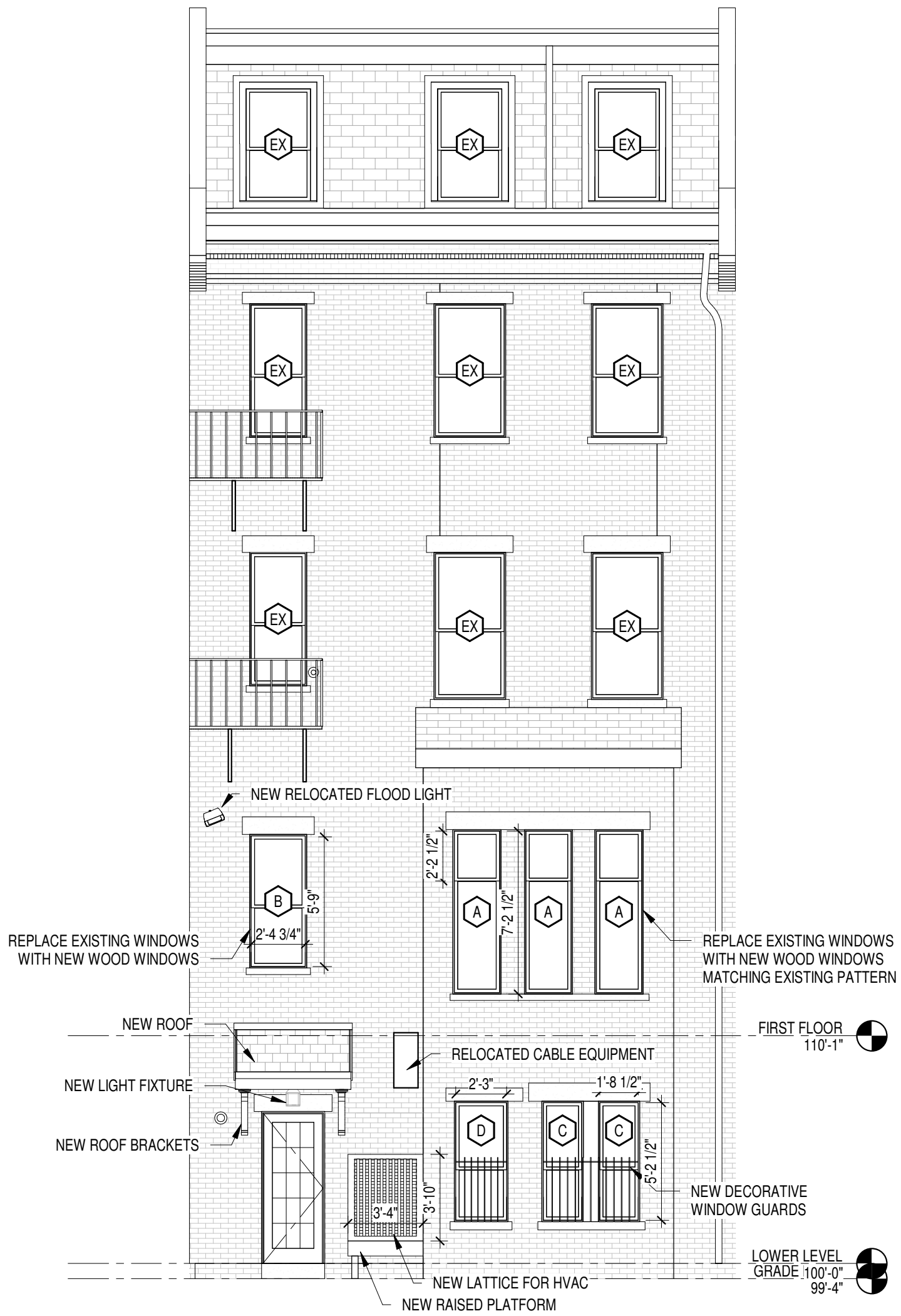
6 LOWER LEVEL EXISTING - EXTERIOR
 3/16" = 1'-0"

4/18/2018 10:56:21 AM

A1
 321 Commonwealth Ave.
 Boston, MA
 Unit 10

Date: 03/21/2018 Drawn By: CMA
 EXISTING ELEVATION
 Refer To:

Timothy Burke
 ARCHITECTURE
 142 BERKELEY STREET, BOSTON MASSACHUSETTS 02116
 P: 617.266.1332 | W: timothyburke.net | F: 617.266.1116



1 LOWER LEVEL PROPOSED - EXTERIOR
 3/16" = 1'-0"

5/4/2018 12:32:40 PM

A2

321 Commonwealth Ave.
 Boston, MA
 Unit 10

Date: 03/21/2018 Drawn By: CMA

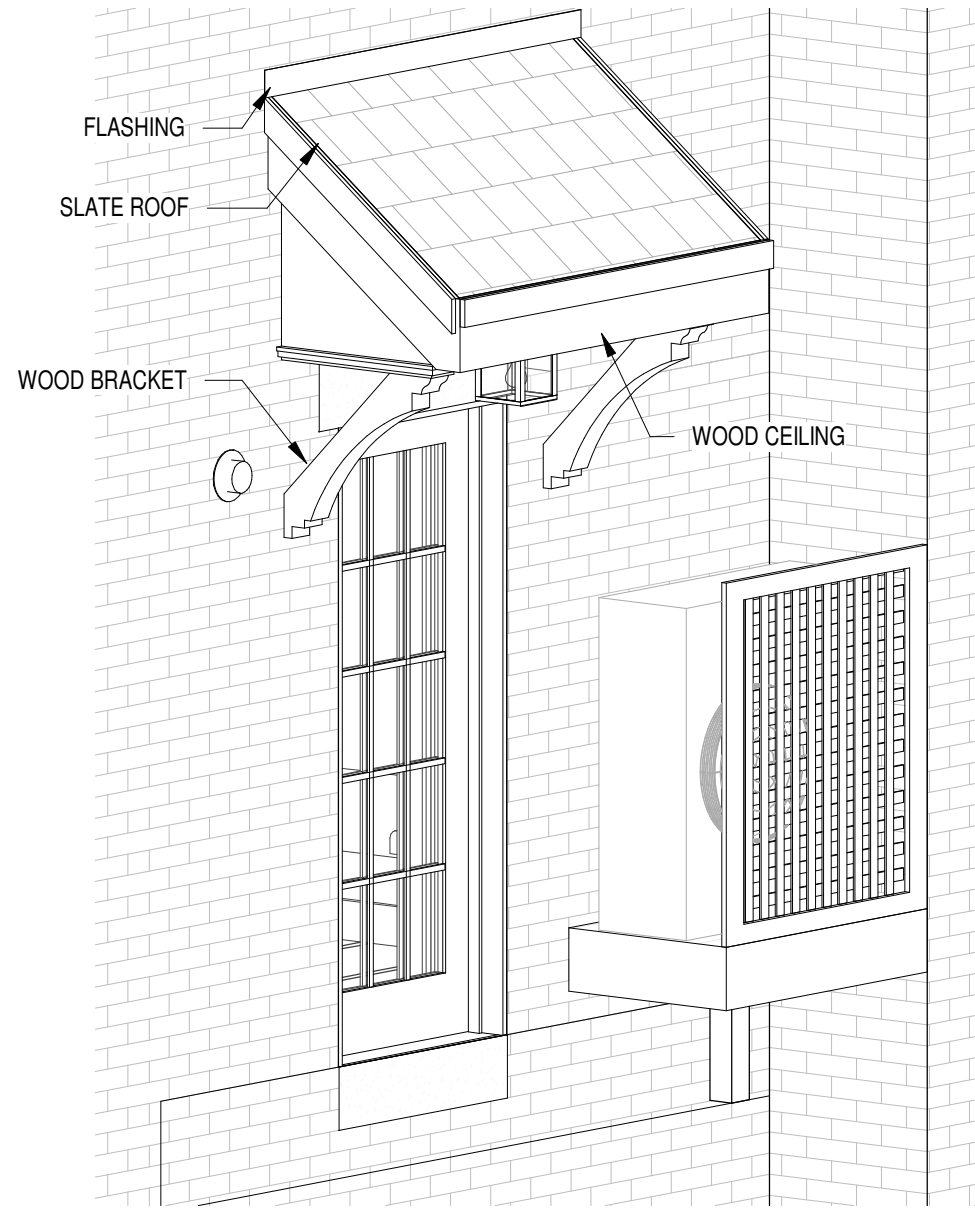
PROPOSED ELEVATION

Refer To:

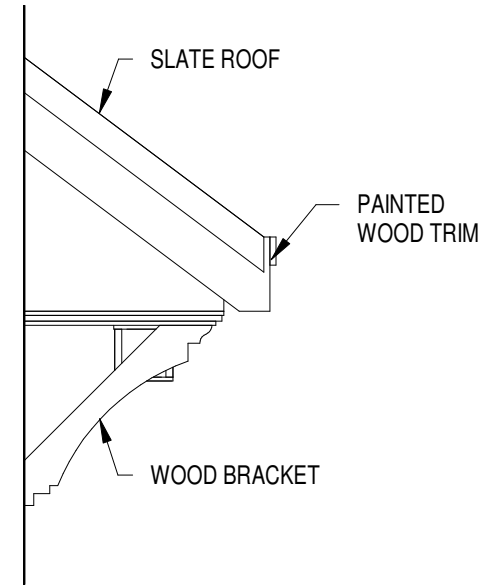


Timothy Burke
 ARCHITECTURE

142 BERKELEY STREET, BOSTON MASSACHUSETTS 02116
 P: 617.266.1332 | W: timothyburke.net | F: 617.266.1116



2 3D - PORTICO



1 PORTICO DETAIL
1/2" = 1'-0"

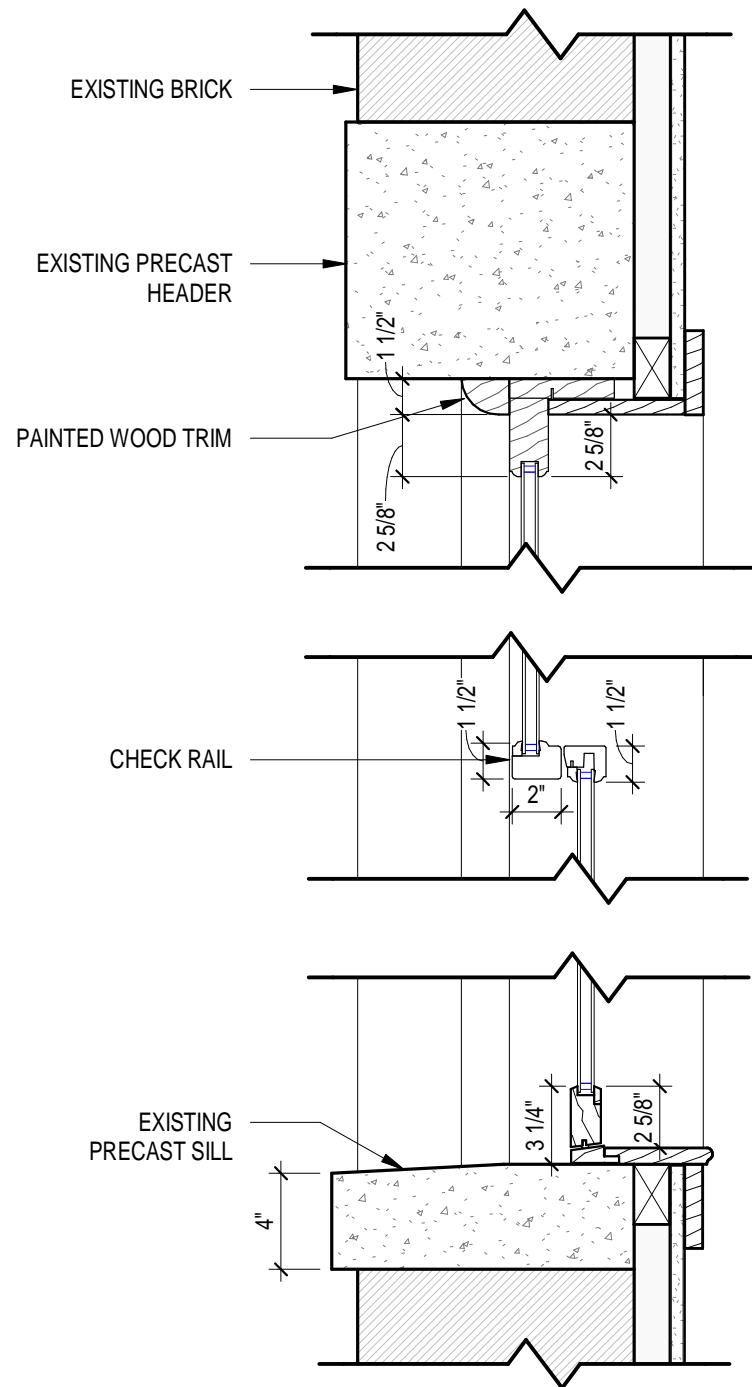
Date: 03/21/2018 Drawn By: CMA

PORTICO DETAILS

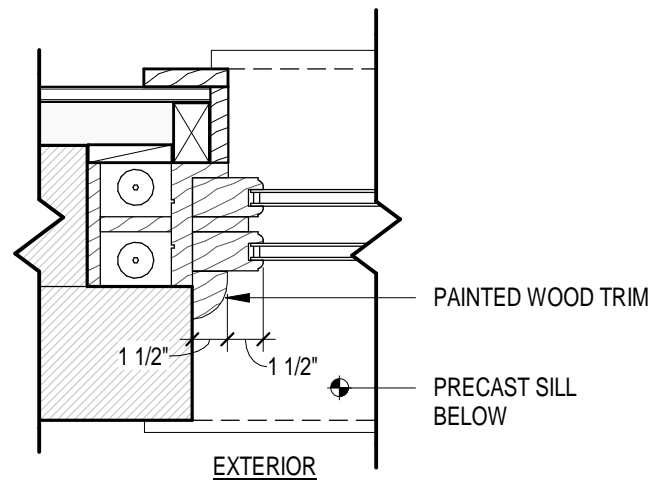
Refer To:

321 Commonwealth Ave.
Boston, MA
Unit 10

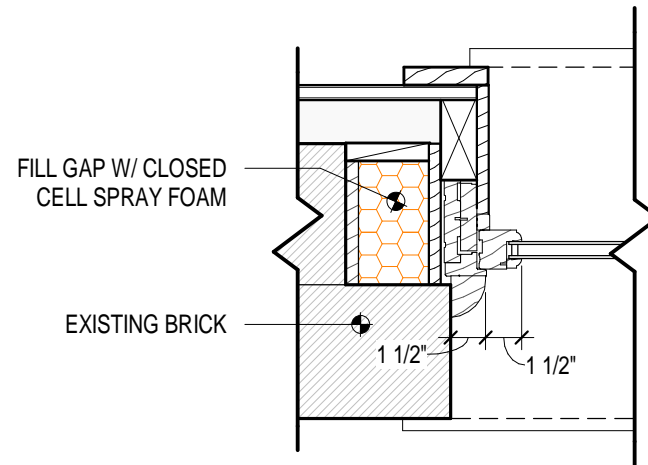
A3



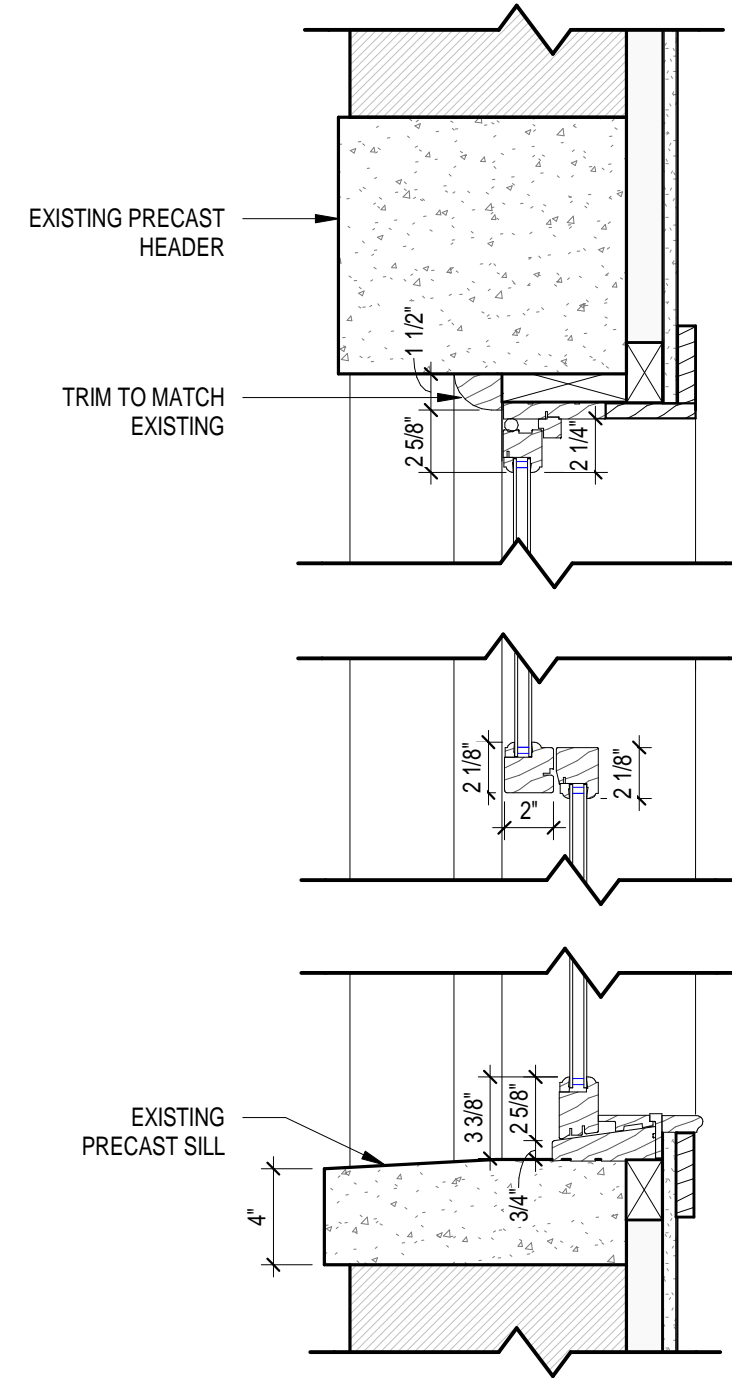
1 EXISTING DOUBLE HUNG DETAILS
1 1/2" = 1'-0"



2 EXISTING DOUBLE HUNG JAMB
1 1/2" = 1'-0"



4 PROPOSED DOUBLE HUNG JAMB
1 1/2" = 1'-0"



3 PROPOSED DOUBLE HUNG DETAILS
1 1/2" = 1'-0"







Mill Lane™

Finish: Anvil Iron
 Glass: Clear Seeded
 Fixture Material: Aluminum



C | 49964 AVI
Outdoor Pendant



D | 49965 AVI
Outdoor Ceiling



E | 49962 AVI
Outdoor Wall



Shown with
Post 9506 BK

F | 49963 AVI
Post Lantern

Mill Lane™

	ITEM #	FINISH	LIGHT SOURCE	DIMENSIONS	OVRL. H	EXTRA WIRE	CHAIN/STEM	EXT.	HCWO	NOTES
A	49960	AVI	(1) 75W (M)	5.5W x 10.25H	---	---	---	7	3	W
B	49961	AVI	(1) 100W (M)	7W x 16H	---	---	---	9	6.5	W
C	49964	AVI	(1) 150W (M)	9W x 16.5H	90	32	72	---	---	D Additional chain 4927 AVI.
D	49965	AVI	(2) 60W (M) ❖	12.25W x 6H	---	---	---	---	---	D
E	49962	AVI	(1) 150W (M)	9W x 21H	---	---	---	12	8.5	W
F	49963	AVI	(1) 150W (M)	9W x 22.5H	---	---	---	---	---	W

Measurements shown in inches. U.S. & Canada Patent Pending.