

This drawing is the property of New CC Sign. The information contained herein may not be used, or reproduced, without written permission from New CC Sign. All reproductions, in whole or in part, must bear this statement or make reference to it. All work by New CC Sign to be done in a timely and workmanlike manner according to standard industry practices. Any alteration or deviation from the specs described herein resulting extra costs will be executed upon approval with the client. All material is guaranteed to be as specified. We reserve the right to substitute components it deems comparable due to unavailability or unexpected supplier delays. Client is ultimately responsible for final approval of all proofs, as well as all taxes, insurance, and fees associated with the project. 50% down payment due upon signing the contract. Balance due upon completion of project regardless of any inspection. Unpaid balance over 30 days will subject to 15% APR interest. All agreements are contingent upon strikes, accidents, or delays beyond our control. Some restrictions may apply.

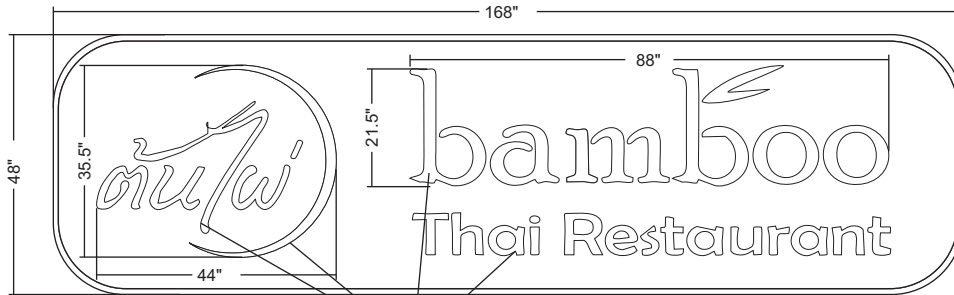
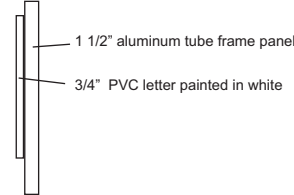
new CC Sign Inc.
 70 Old Colony Ave., Boston, MA 02117
 Tel:617-210-7982 Fax:617-210-7983
 Email:ccsignboston@gmail.com

Front: 3D PVC Lettering Panel sign:



wood decking material thickness 3/4"

side view:



3/4" PVC letters painted in black

Specifications:

- * 040 aluminum panel w/ Welded 1"x1" Galvanized tubing frame.
- * Wood decking material panel. (design for out door waterproof)
- * 3/4" PVC lettering painted in black and green.
- * Letter to be mounted on the panel.
- * 1/2" white PVC letters

Sign installed in location shown on attached photo



1/2" white PVC letters

Existing



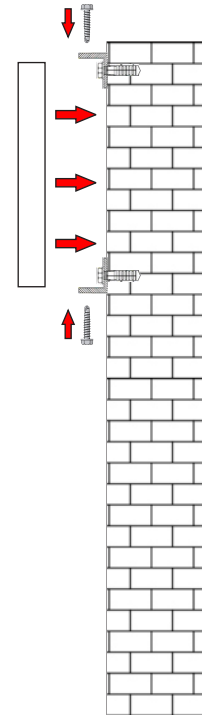
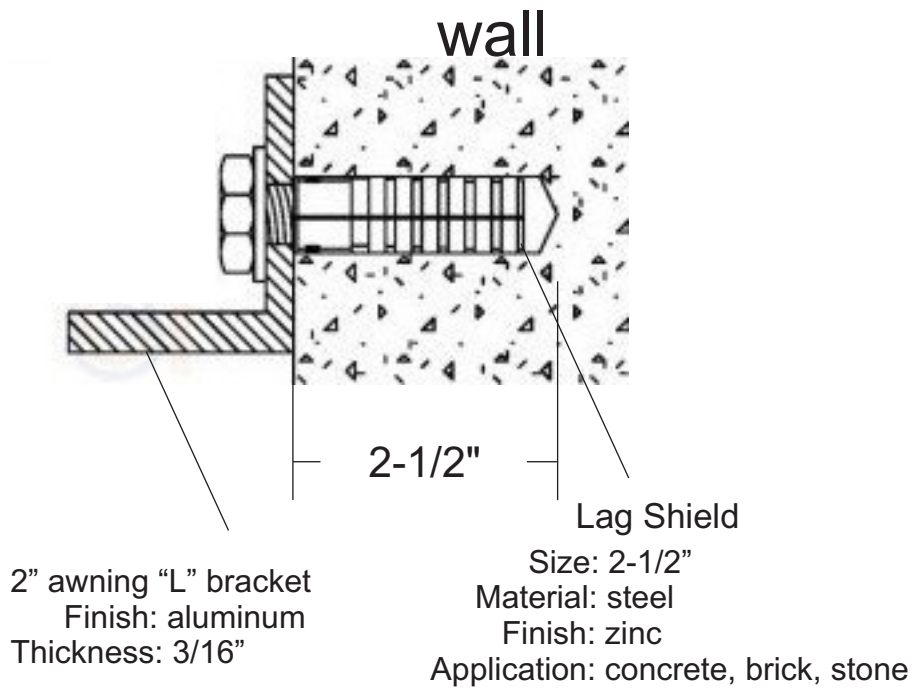
Proposed



Client Must Review & Approve all Drawing BEFORE production <small>The price, specifications and are hereby accepted. CC Sign is authorized to execute the project in this agreement.</small>	
CLIENT SIGNATURE	
PRINT NAME	DATE

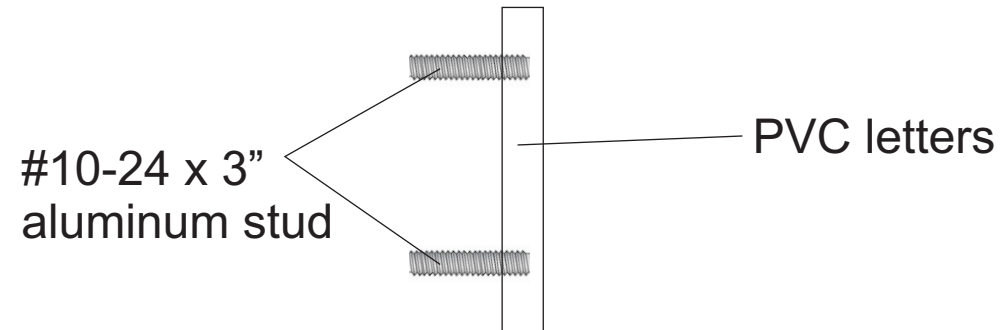
CLIENT	Mr. Lin	JOB	06351
COMPANY	Bamboo Thai Cuisine	DRAWN	Ricky
ADDRESS	1616 Commonwealth Ave.	TITLE	
CITY	Brighton	ORDER DATE	11-27-2017
TEL	857-544-1864	FILED ID	

Mounting



Each sign will be hold by 12 pieces of awning "L" bracket

Mounting



Each letter will be hold by 2-4 studs
