



PCA

MOUNT VERNON COMPANY

40 BERKELEY STREET

LANDMARKS SUBMISSION  
EXTERIOR SIGNAGE

04.03.2018

## OUTLINE OF REQUESTED MODIFICATIONS

1. Remove existing fabric awning and substructure, restoring the entry canopy to its original condition. Repaint the metal roof edge to a dark charcoal color.
2. Expose the existing round concrete column at the corner of Berkeley and Appleton to match the original condition. Stain and seal to match roof color.
3. Add new front-lit signage on top of canopy
4. Add a new flag on top of the canopy, braced back to the building





A - Appleton Street Facade



B - Berkeley Street Facade



Key



C - Berkeley Street / Grey Street Corner



D - Grey Street Facade













MODIFICATION 4

MODIFICATION 3

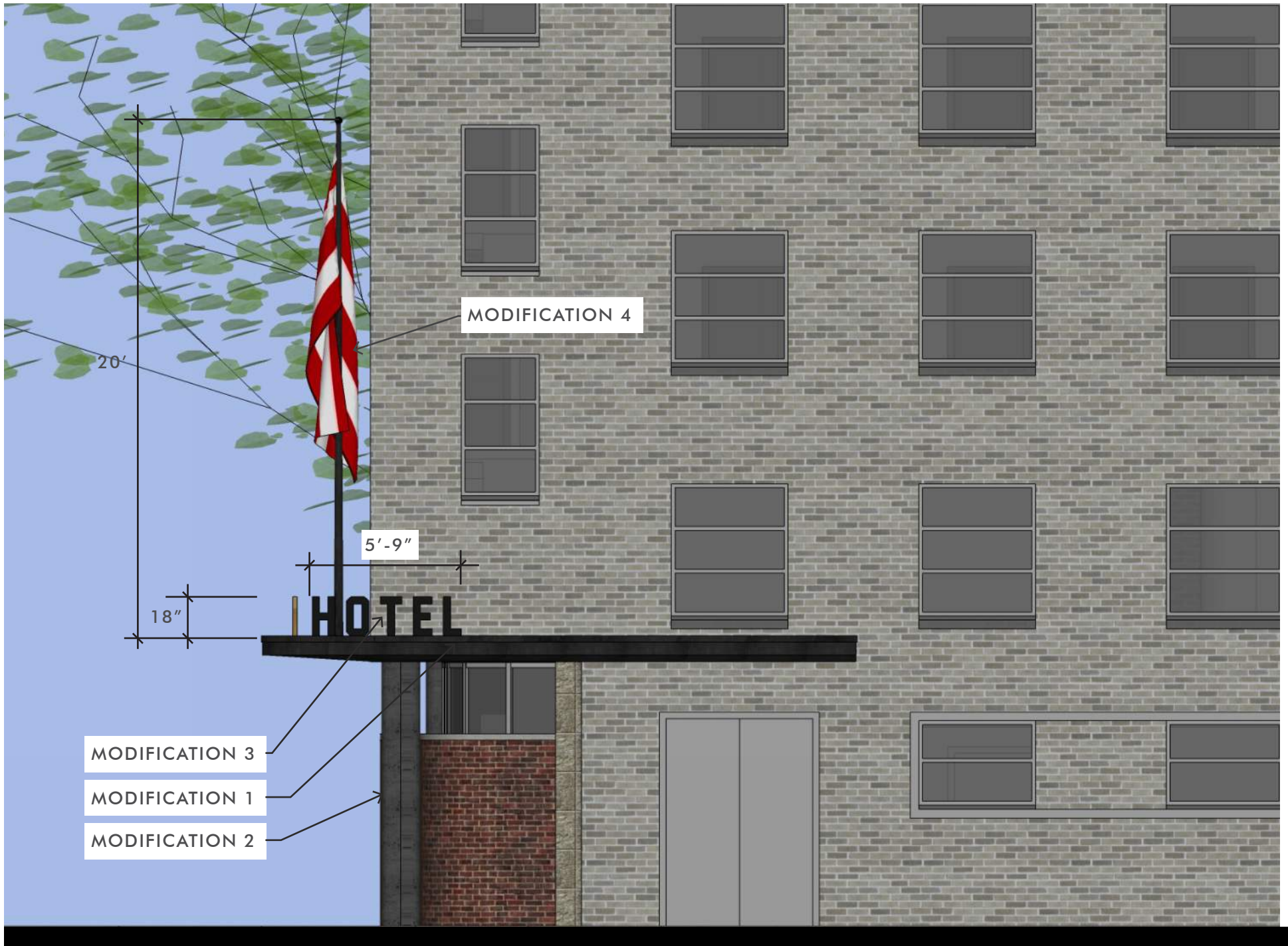
MODIFICATION 1

MODIFICATION 2



# BERKELEY ST ELEVATION

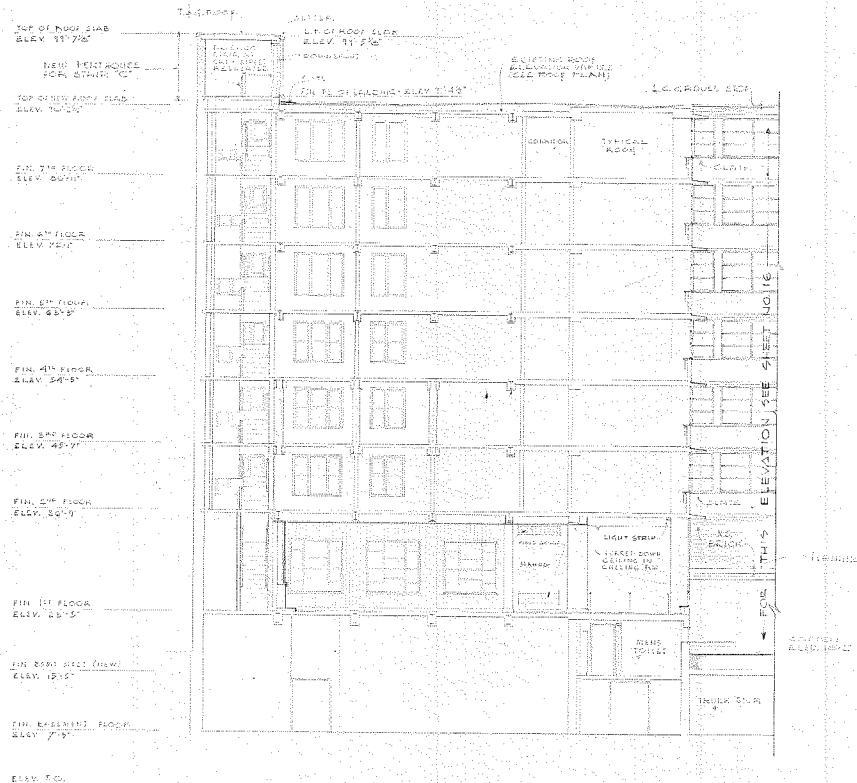
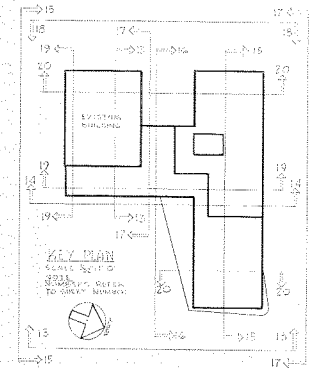




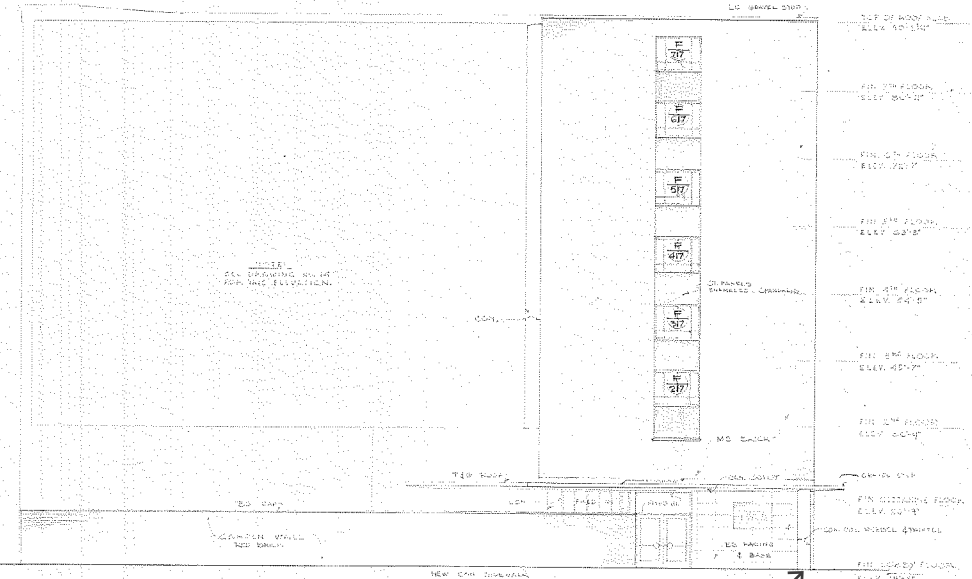




ORIGINAL CANOPY COLOR



SECTION NB-13



EAST ELEVATION TOWARD BERKELEY STREET

COLUMN ORIGINALLY EXPOSED

<b>KILHAM, HOPKINS, GREELEY &amp; BRODIE</b>		
6 BRINGTON STREET ARCHITECTS BOSTON, MASS.		
PROJECTING:	Title of Building	SHEET NO.
	OPERATORY BUILDING FOR THE YOUNG WOMEN'S CHRISTIAN ASSOCIATION BOSTON, MASS.	13
DATE	Title of Drawing	FILE NO.
July 2, 1922	EAST ELEV. FRONT	13
DRAWN BY		SCALE
1/8"		1" = 16'





Reference Image for Sign Construction: MassArt



Reference Image for Sign Construction: Berkeley College of Music

Reference Image for 2  
Materials: one as the face, one  
as the return

## DESIGN

- The canopy sign is a simple, timeless gesture that sits on top of the entry canopy. The sign will be individual letters with a matte metal face and brass edges. The letters will be mounted either directly to the canopy or to a continuous raceway dependant on final structural requirements.
- The sign will be lit from the front with a low profile continuous LED light.



Reference Image for Front Lighting: Berkeley College of Music



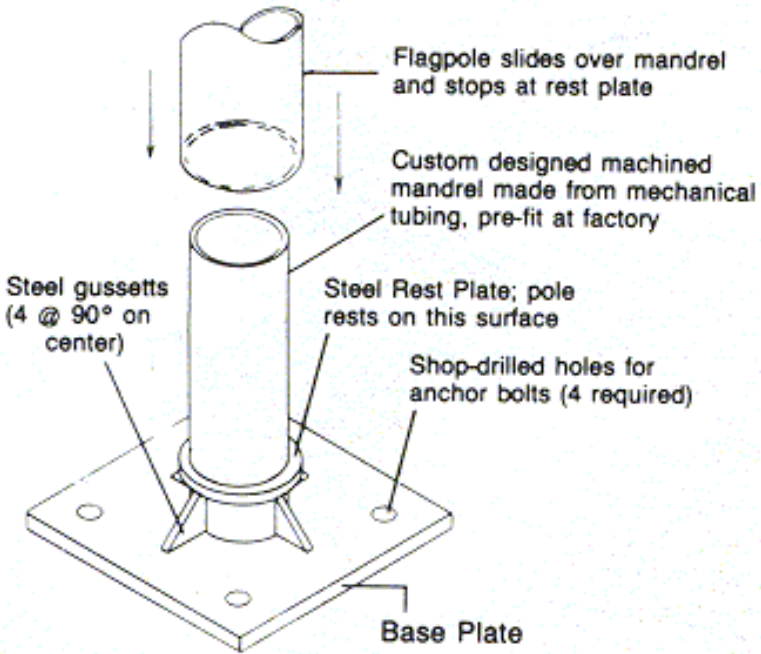


Reference Image for Flagpole Color and Cap



## DESIGN

- The flagpole will be a charcoal colored metal pole with a brass spherical cap. The pole will be mounted to the canopy. Based on structural engineering requirements the flagpole may require bracing back to the building facade. Any facade connections will take careful consideration to go through mortar joints in order to not damage bricks.



Conceptual Base Plate Drawing: Base plate will need to be engineered



Reference Image for a Typical Wall Bracket. If required the bracket will be custom to achieve a 12" separation between the wall and the pole.