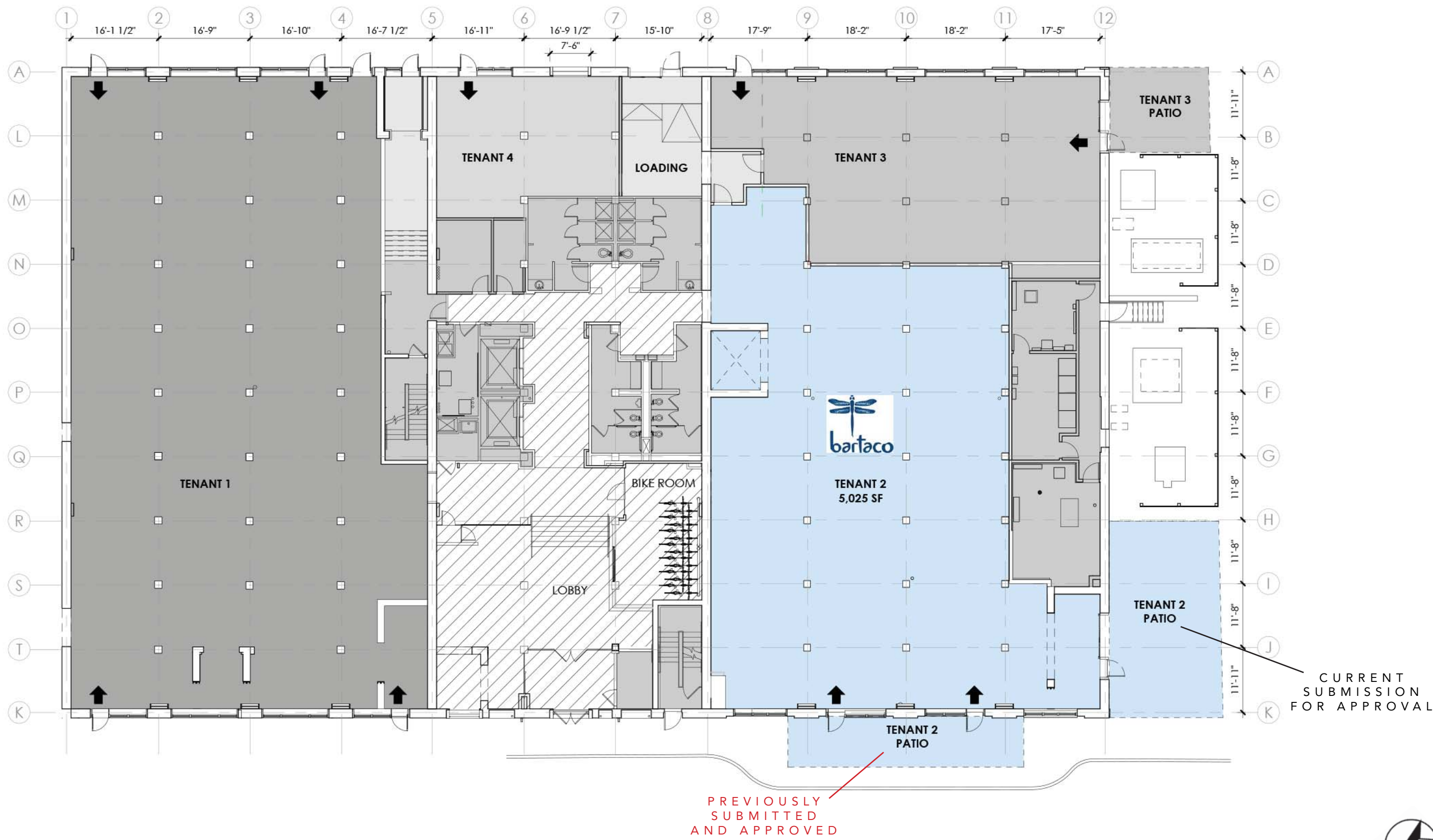


EXISTING SITE AERIAL MAP

SCALE: NTS



EXISTING SITE PLAN





VIEW ALONG THOMSON PLACE

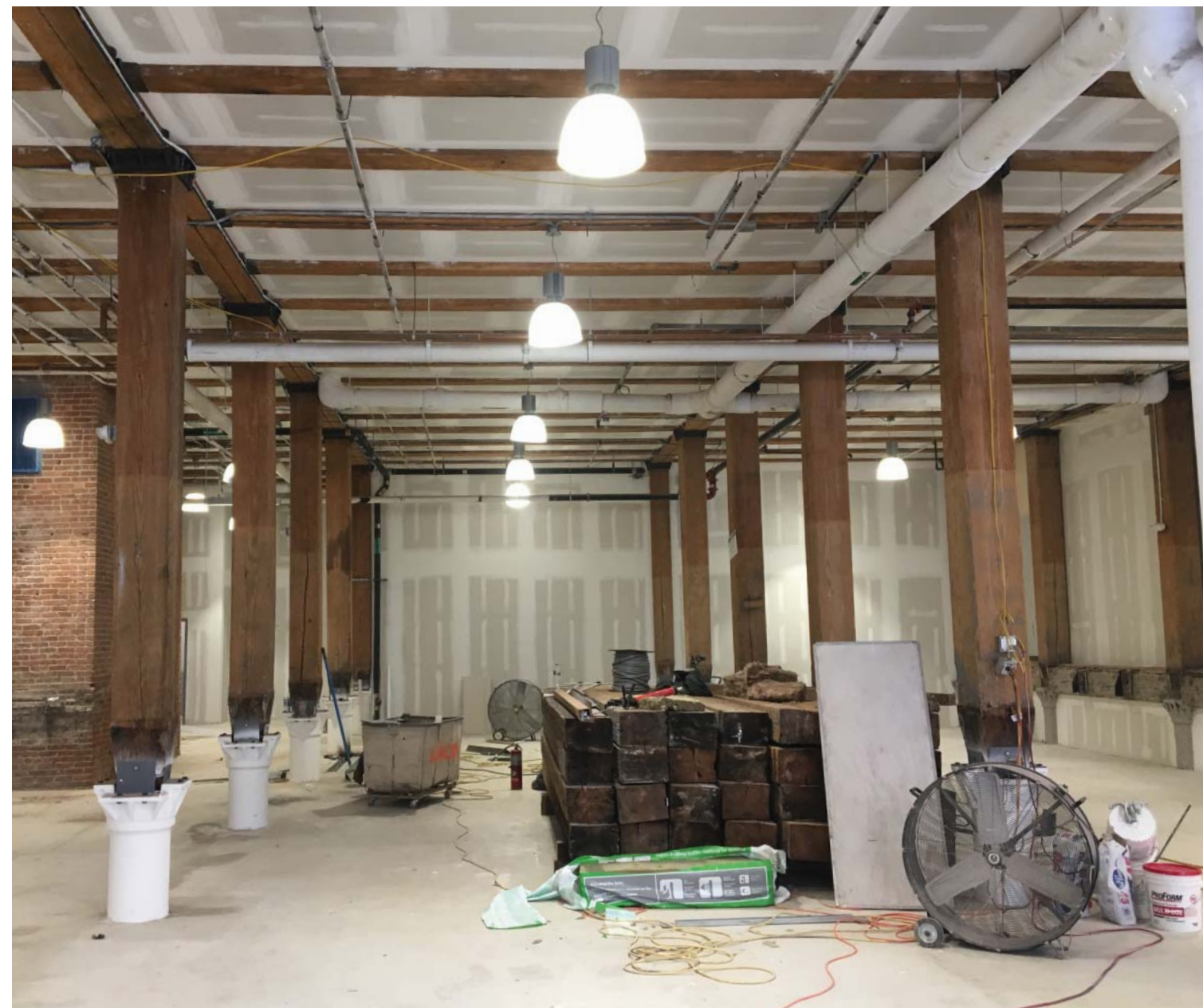
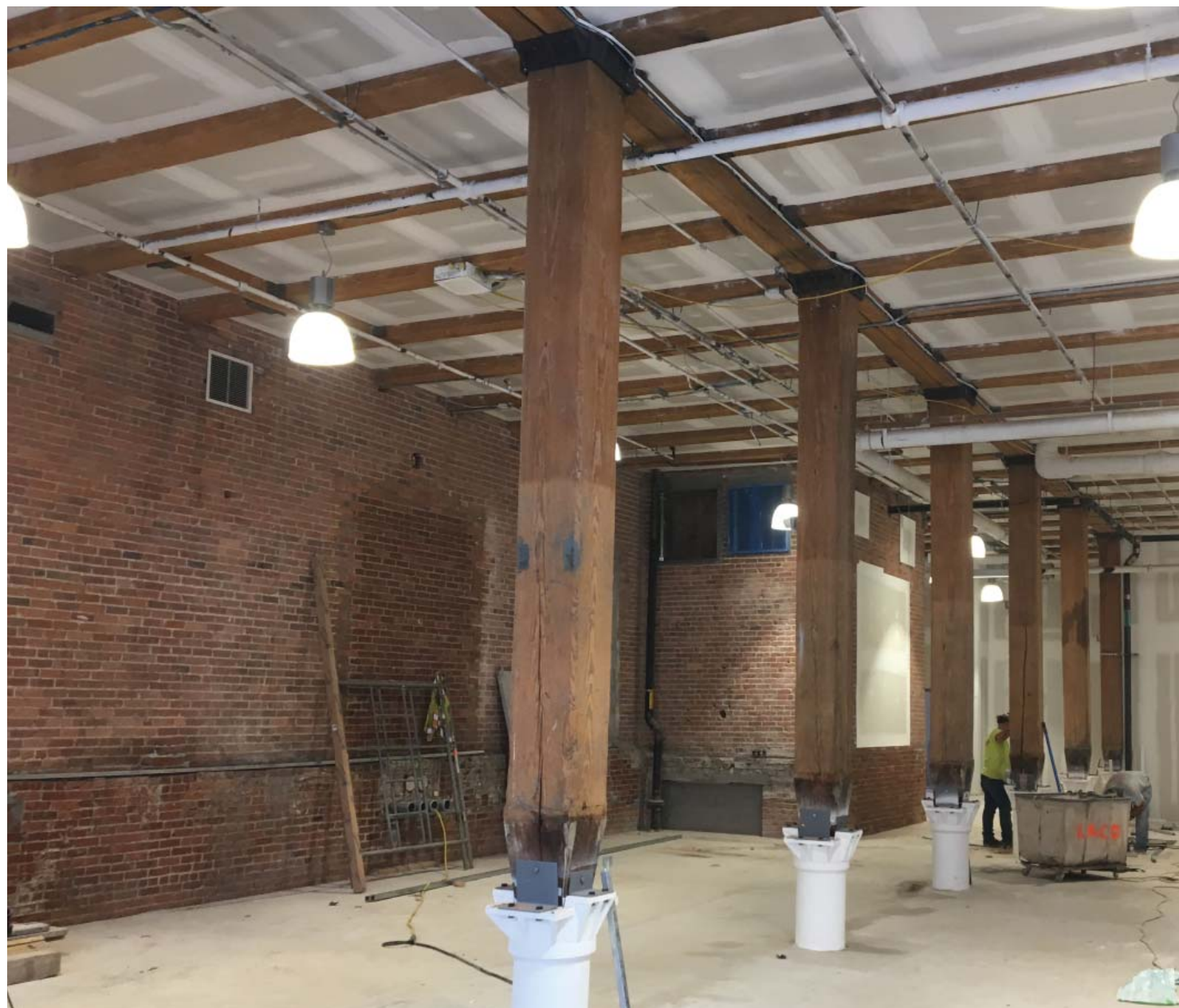


VIEW OF EXISTING SIDE PATIO



EXISTING EXTERIOR PHOTOS

SCALE: NTS



EXISTING INTERIOR PHOTOS

SCALE: NTS

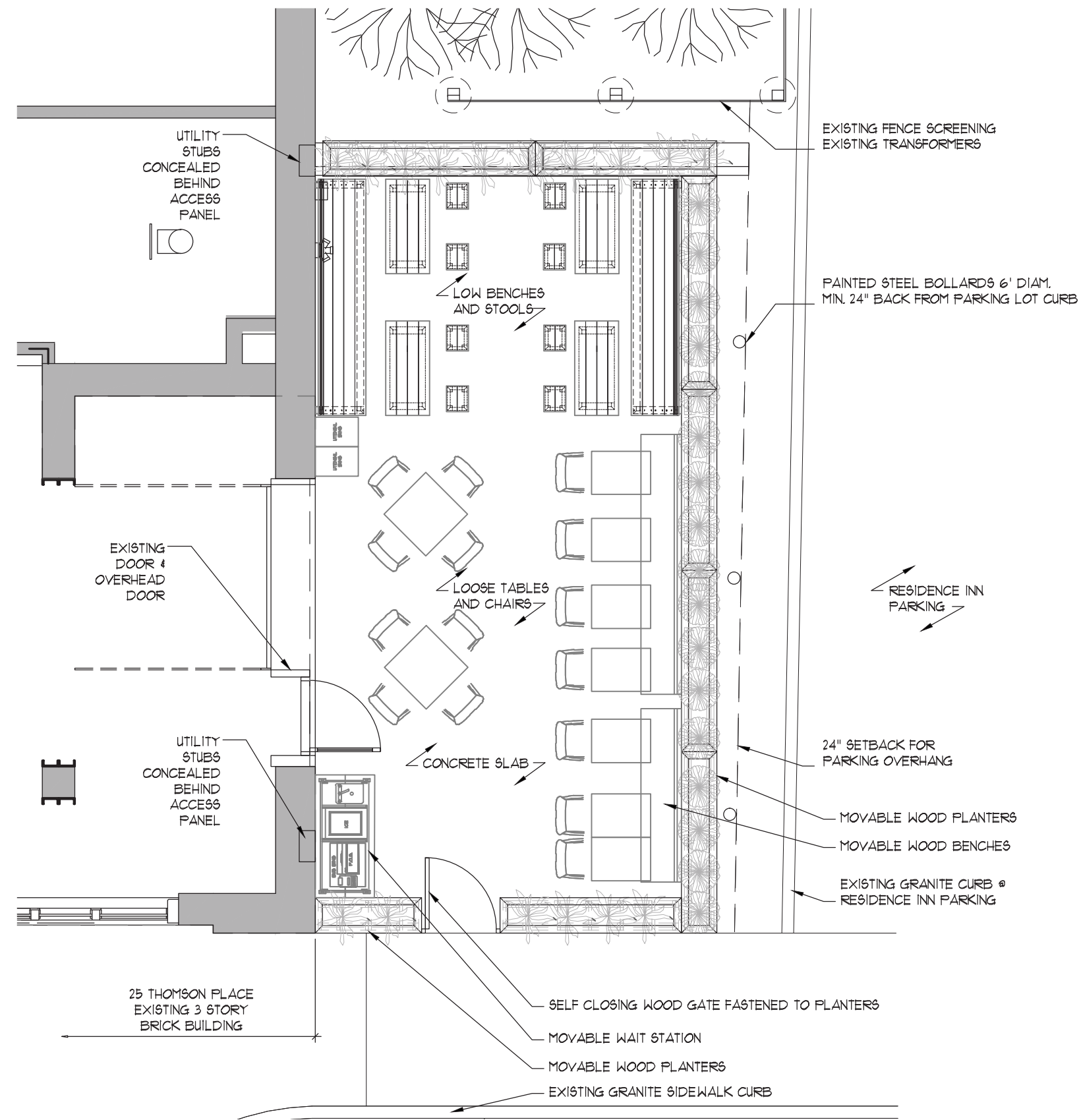


**APPROVED AT PREVIOUS FPCLDC HEARING
12/14/17**



APPROVED FRONT PATIO PLAN RENDERING





PROPOSED SIDE PATIO PLAN



SCALE: NTS



LOUNGE SEATING



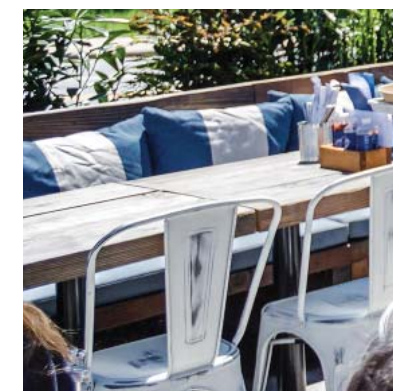
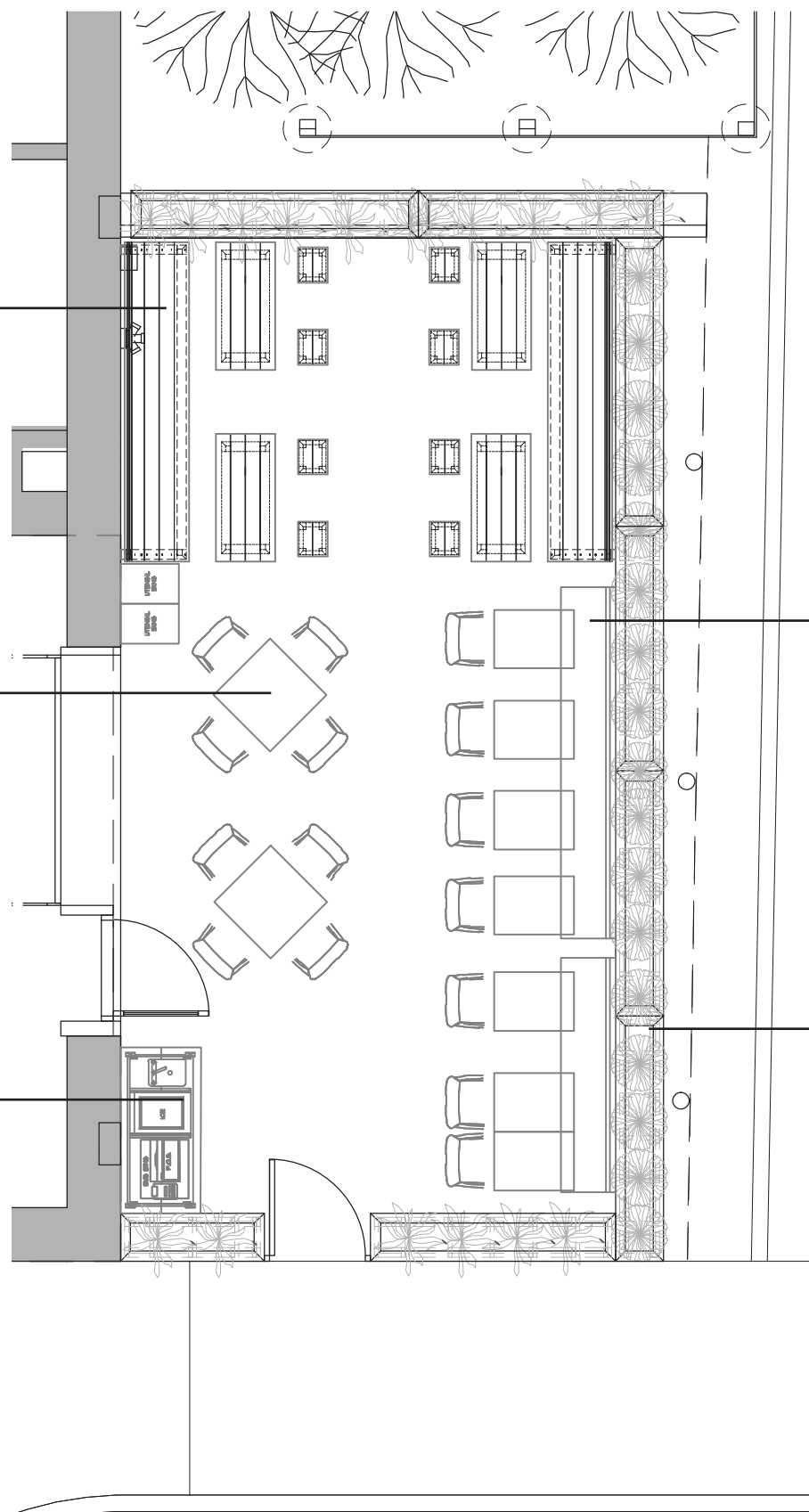
CHAIRS

TABLES

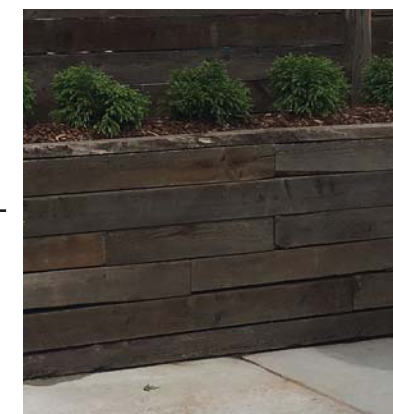


WAITER STATION

FINISH TO MATCH DARK RECLAIMED WOOD



BANQUETTES



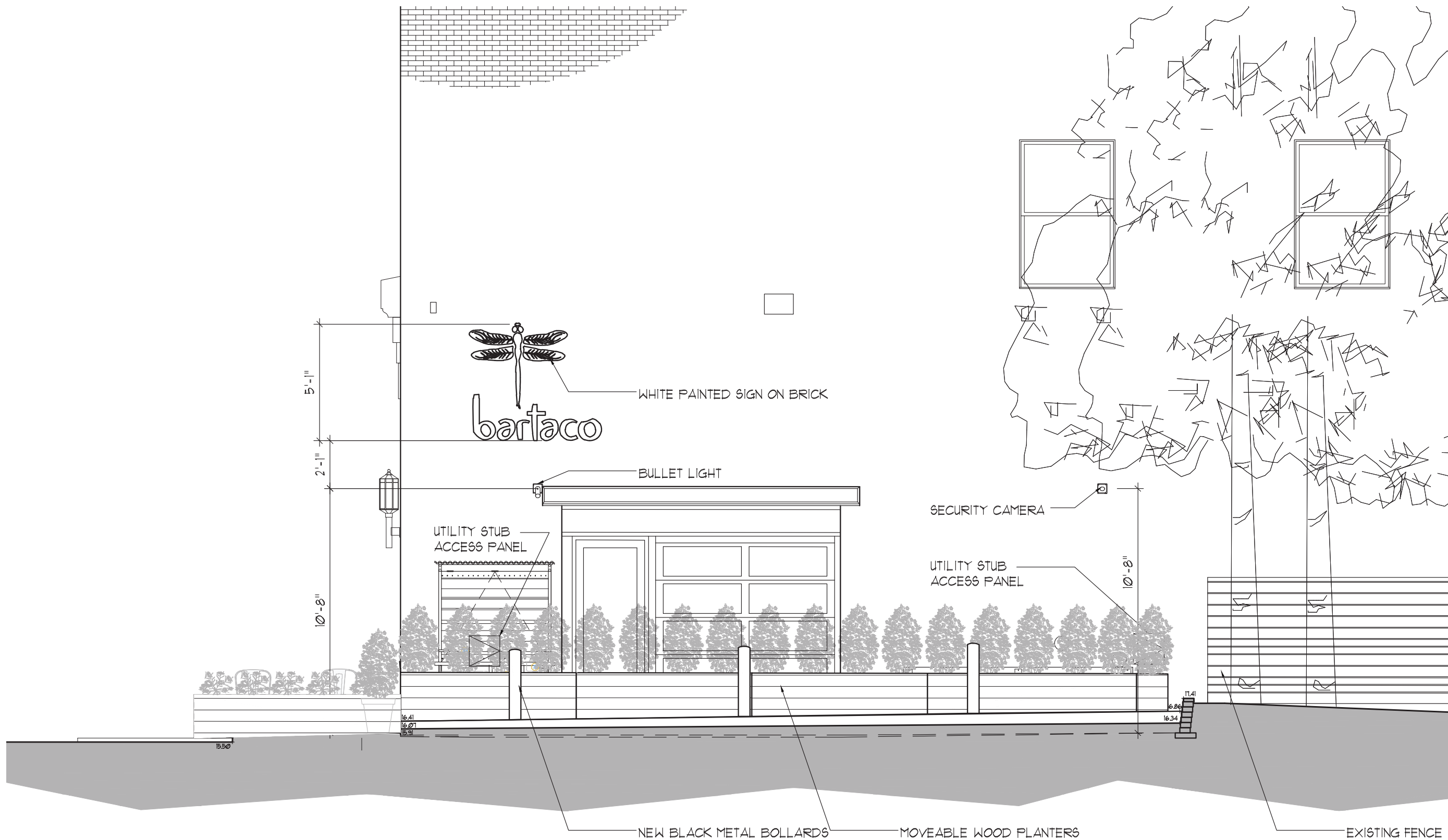
PLANTERS



PROPOSED SIDE PATIO FURNITURE PLAN



SCALE: NTS



PROPOSED ELEVATION - SOUTH

SCALE: NTS



PROPOSED ELEVATION - WEST

SCALE: NTS



PROPOSED ELEVATION - WEST

SCALE: NTS



LOUNGE SEATING



BANQUETTE SEATING



WAITER STATION

FINISH TO MATCH DARK RECLAIMED WOOD

SAME AS PREVIOUSLY APPROVED FOR FRONT PATIO



PLANTERS



CHAIRS



TABLES

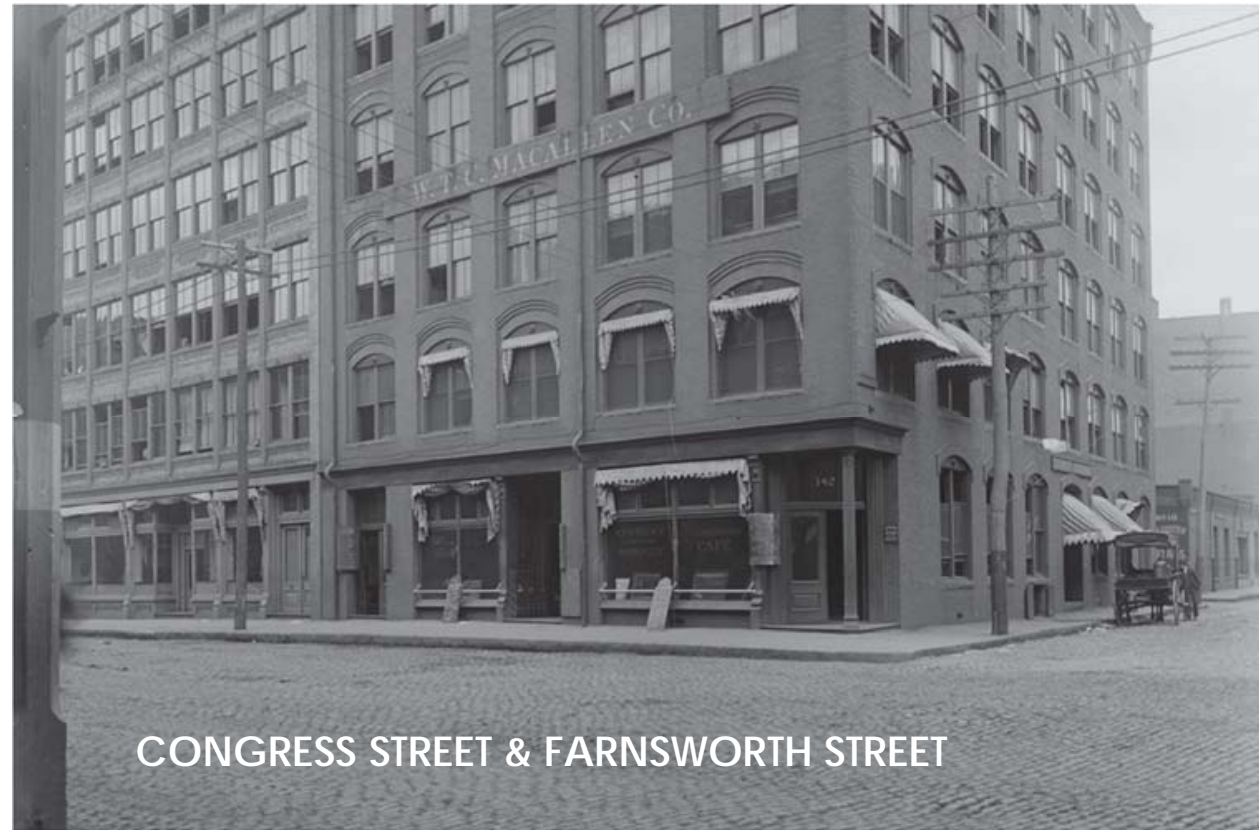


EXTERIOR ELEMENTS - FF&E



EXTERIOR SIGNAGE

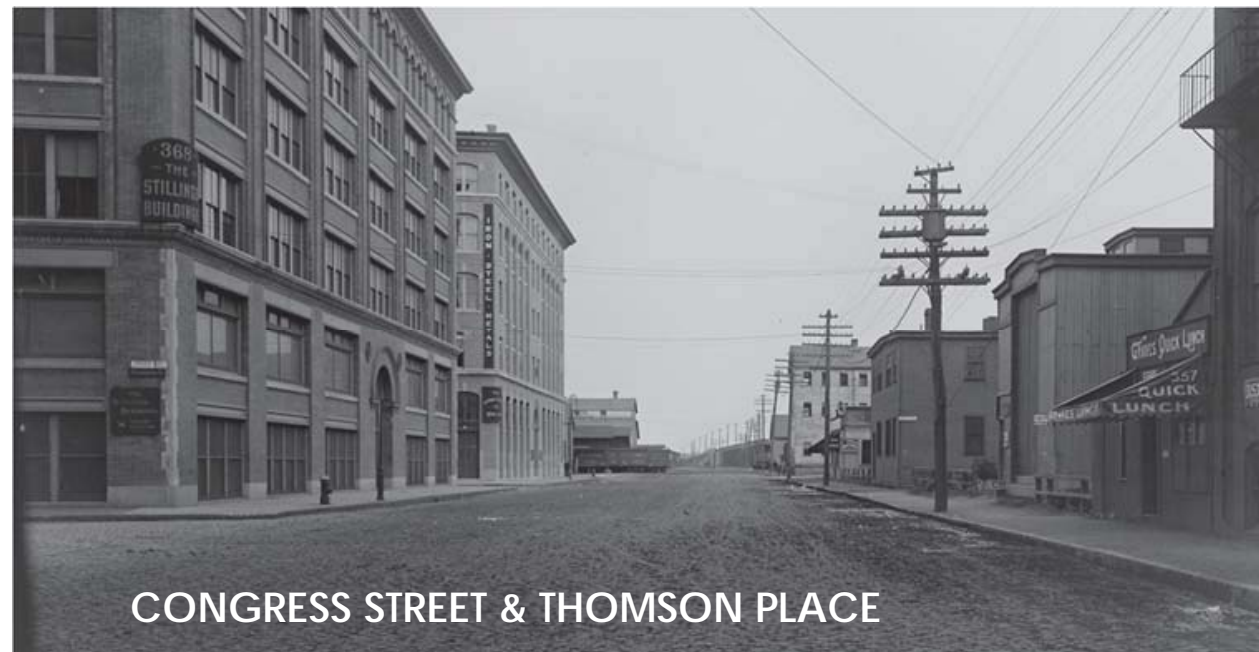
SCALE: NTS



CONGRESS STREET & FARNSWORTH STREET



STILLINGS STREET



CONGRESS STREET & THOMSON PLACE



THOMSON PLACE

**PREVIOUSLY PRESENTED BY LANDLORD
APPROVED AT FPCLDC HEARING 6/09/16**



HISTORICAL REFERENCE - PAINTED SIGNS

SCALE: NTS



SIGNAGE TYPES

TYPE 1

- COMPANY NAME (& OFFERINGS)
- PAINTED ON WOOD SIGN

TYPE 2

- COMPANY NAME (& OFFERINGS)
- PAINTED ON BRICK FAÇADE

TYPE 2

- COMPANY NAME (& OFFERINGS)
- PAINTED ON BRICK FAÇADE

TYPE 3

- COMPANY FUNCTION
- PAINTED ON WOOD FAÇADE

TYPE 4

- COMPANY OFFERINGS
- PAINTED ON BRICK

TYPE 5

- ROOFTOP SIGN
- LIT CHARACTERS ON METAL FRAME

**PREVIOUSLY PRESENTED BY LANDLORD
APPROVED AT FPCLDC HEARING 6/09/16**



HISTORICAL REFERENCE - PAINTED SIGNS

SCALE: NTS

- TYPE 1
- TYPE 2
- TYPE 3
- TYPE 4
- TYPE 5



BARTECA'S PREVIOUSLY APPROVED
SIGNAGE LOCATIONS
FACING THOMSON STREET

BARTECA'S PROPOSED
LOCATION OF
PAINTED LOGO SIGN

**PREVIOUSLY PRESENTED BY LANDLORD
APPROVED AT FPCLDC HEARING 6/09/16**

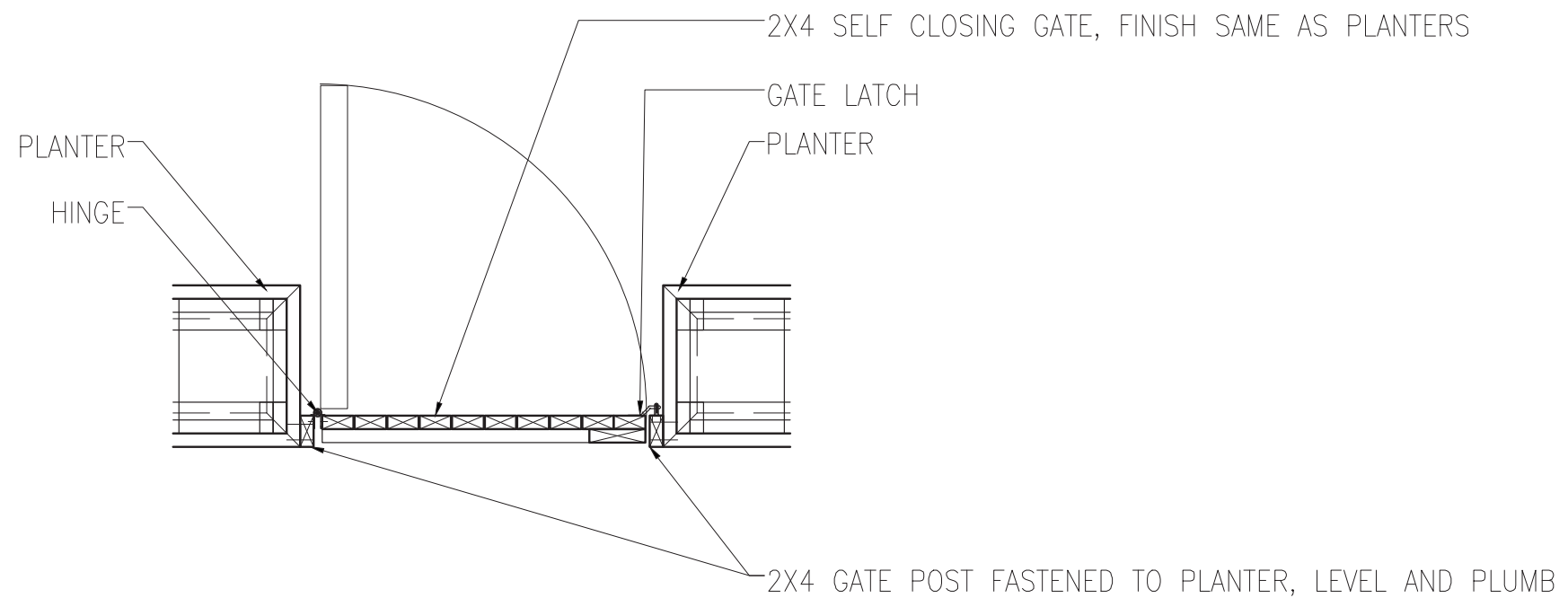
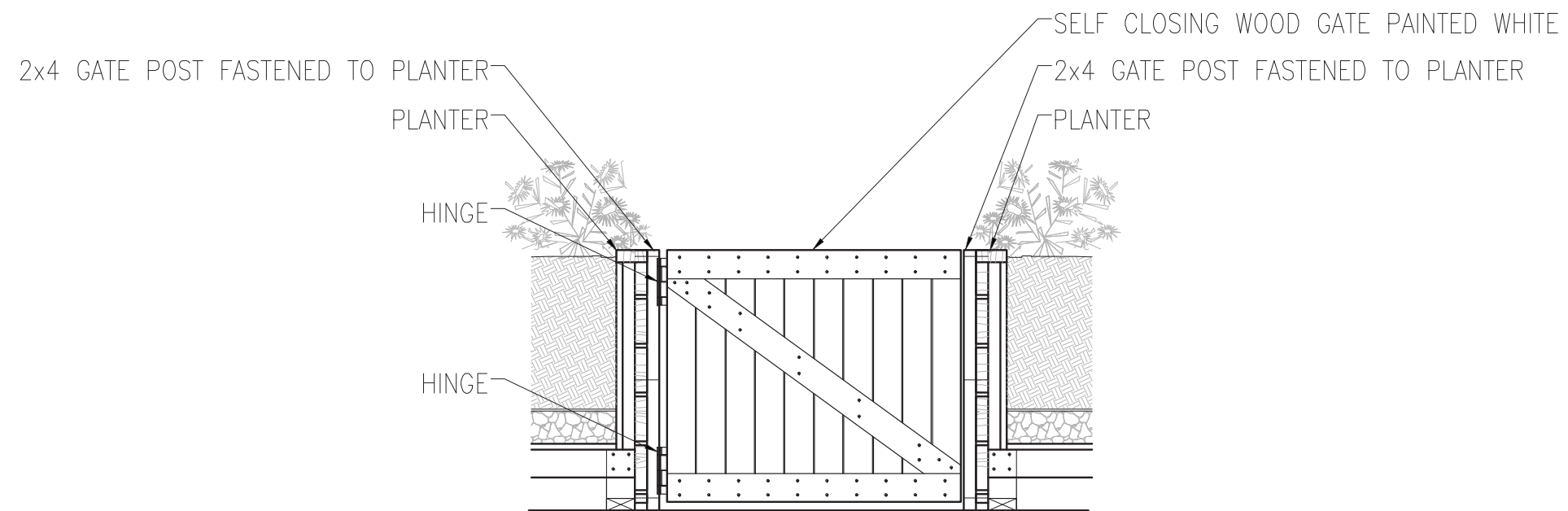


HISTORICAL REFERENCE - PAINTED SIGNS

SCALE: NTS

CUT SHEETS AND DETAILS





PATIO GATE DETAILS

SCALE: NTS

LFP16B

RAB



| | |
|---------------------|--------------|
| Project: | Type: |
| Prepared By: | Date: |

| Lamp Info | | Ballast Info | |
|--------------|-------|--------------|-----|
| Type: | PAR16 | Type: | N/A |
| Watts: | 60W | 120V: | N/A |
| Shape/Size: | N/A | 208V: | N/A |
| Base: | N/A | 240V: | N/A |
| ANSI: | N/A | 277V: | N/A |
| Hours: | 2,000 | Input Watts: | 0W |
| Lamp Lumens: | 650 | | |
| Efficacy: | N/A | | |

Technical Specifications

Listings

UL Listing:

Suitable for wet locations. Suitable for mounting within 1.2m (4ft) of the ground.

Construction

Swivels:

1/2" NPS threaded arm with serrated locking swivel fits all standard mounting boxes. EZ Grip locknuts color matched to fixture.

Housings:

Precision die cast aluminum.

Compatibility:

Fixture is compatible with GE and Sylvania Par16 lamps. Not compatible with Philips Par16 lamp.

Electrical

Voltage:

120

Sockets:

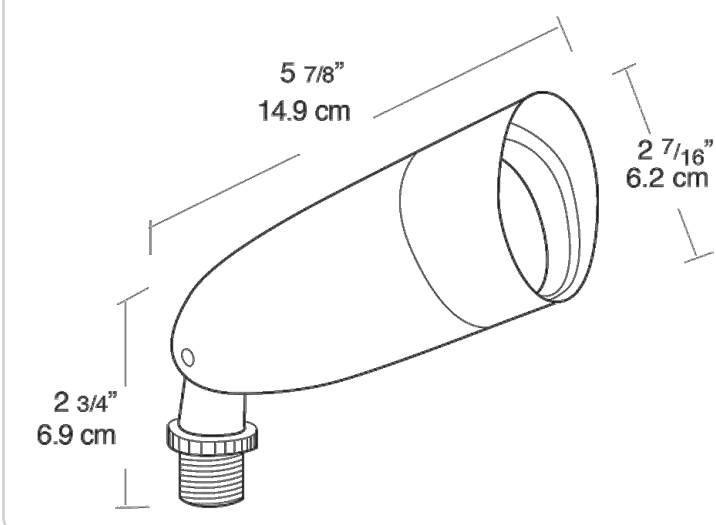
Medium base porcelain with all copper current carrying components and spring loaded center contact.

Other

Buy American Act Compliance:

RAB values USA manufacturing! Upon request, RAB may be able to manufacture this product to be compliant with the Buy American Act (BAA). Please contact customer service to request a quote for the product to be made BAA compliant.

Dimensions



Features

- Rugged die cast aluminum housing with polyester powder coat finish
- Deep Glare Shield
- weatherproof lens and gasket
- "O" Ring seal for full weather protection
- No-rust brass & stainless steel external hardware
- Rugged mounting arm has 1/2" threads and pivots 180
- EZ Grip locknuts are color matched to fixture and can be tightened with fingers, pliers or screwdriver



Dome Camera

E86A

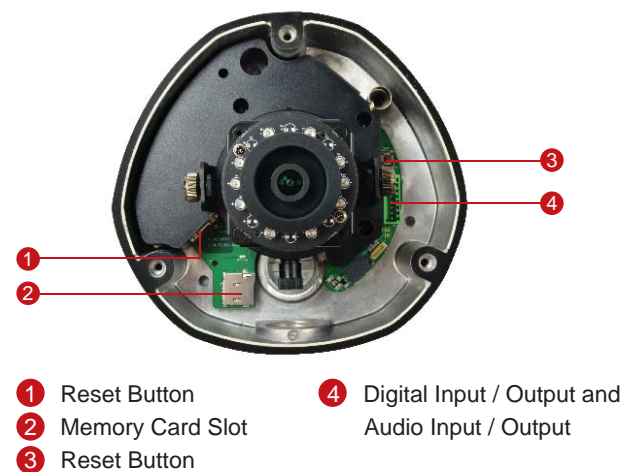
3MP Outdoor Dome with D/N, Adaptive IR, Superior WDR, Vari-focal Lens

HOUSING TO BE PAINTED BLACK



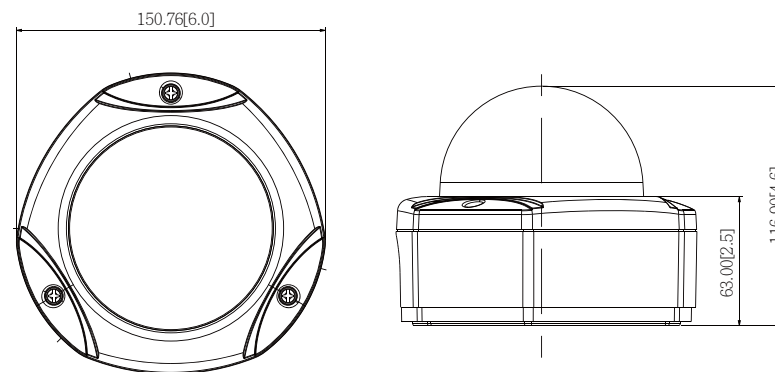
- 3 Megapixel with 1080p
- Day and Night with Adaptive IR LED
- Vari-focal Lens with f2.8~12mm / F1.4
- Superior WDR (110 dB)
- 30 fps at 1920 x 1080
- Weatherproof (IP67) and Vandal Proof (IK10)

PHOTO INDICATION



- ① Reset Button
- ② Memory Card Slot
- ③ Reset Button
- ④ Digital Input / Output and Audio Input / Output

DIMENSION DIAGRAM

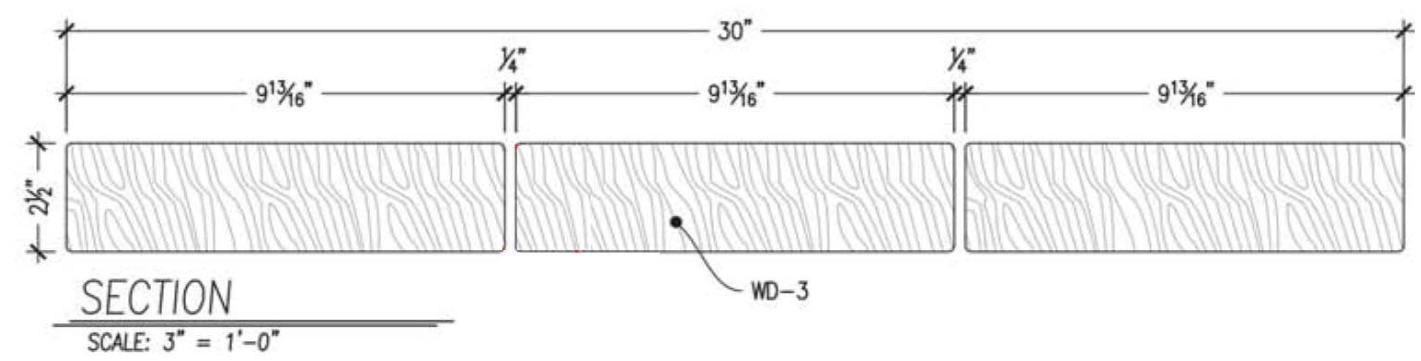
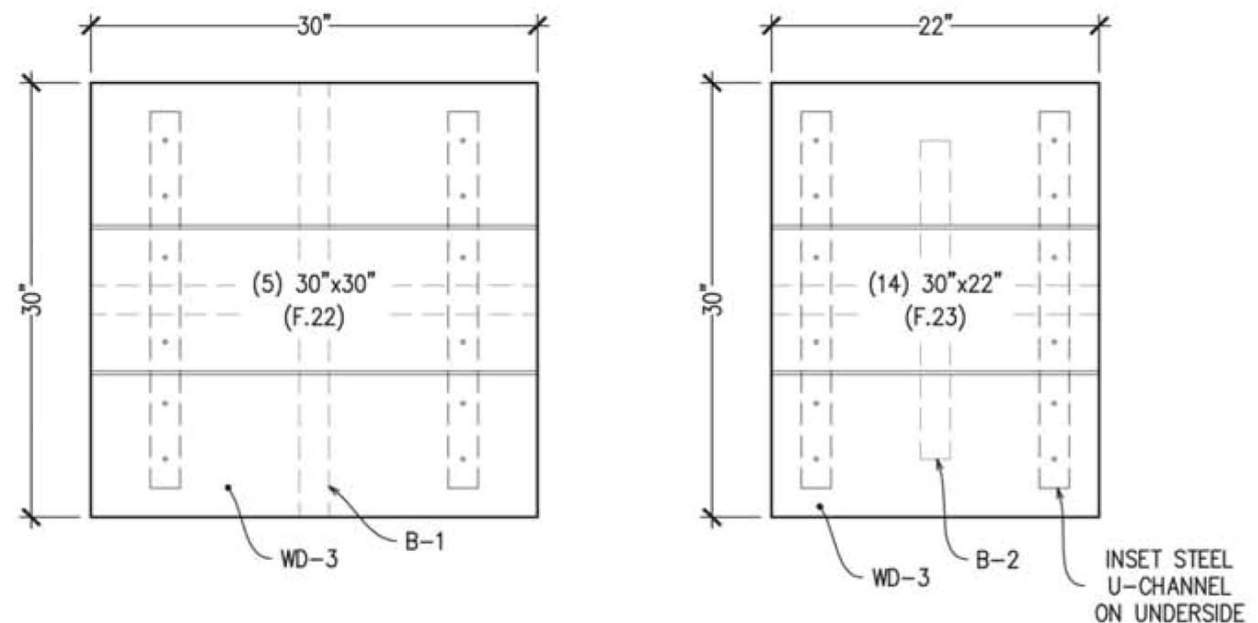


Unit: mm [inch]

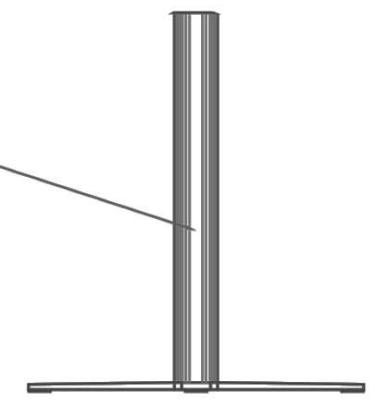


SECURITY CAMERA

SCALE: NTS

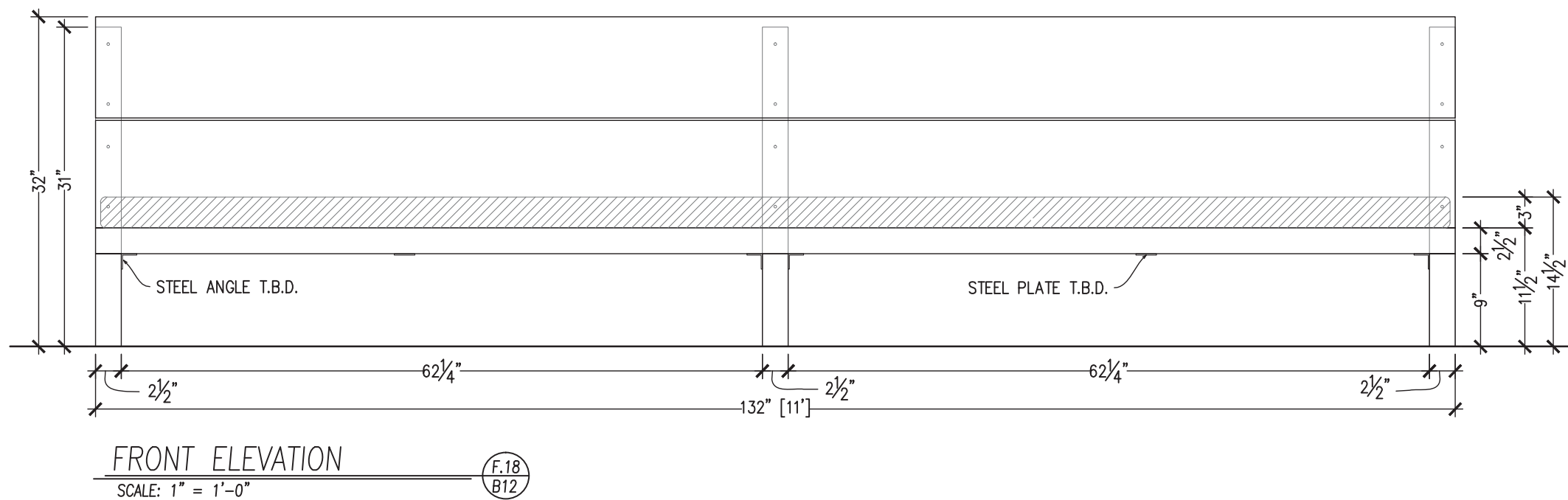
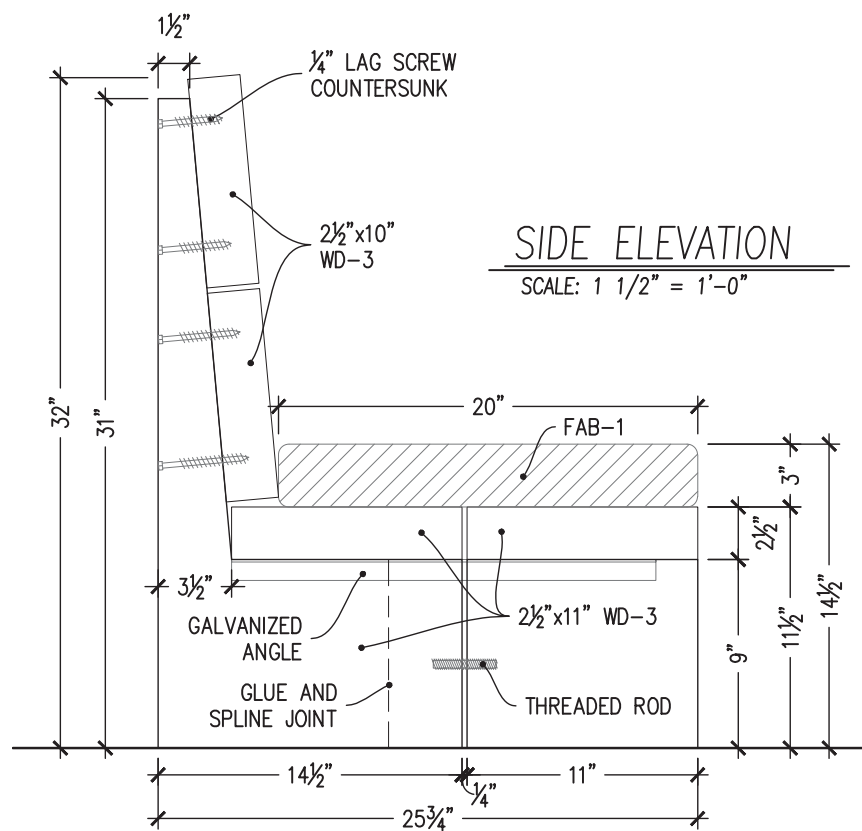


- STOCK TABLE BASE TO BE:
- 3" DIA., 16 GA. STEEL TUBE
 - 22" DIA. 3 PRONG BASE
 - 9" CAST IRON MOUNTING PLATE
 - BLACK POWDER COATED FINISH



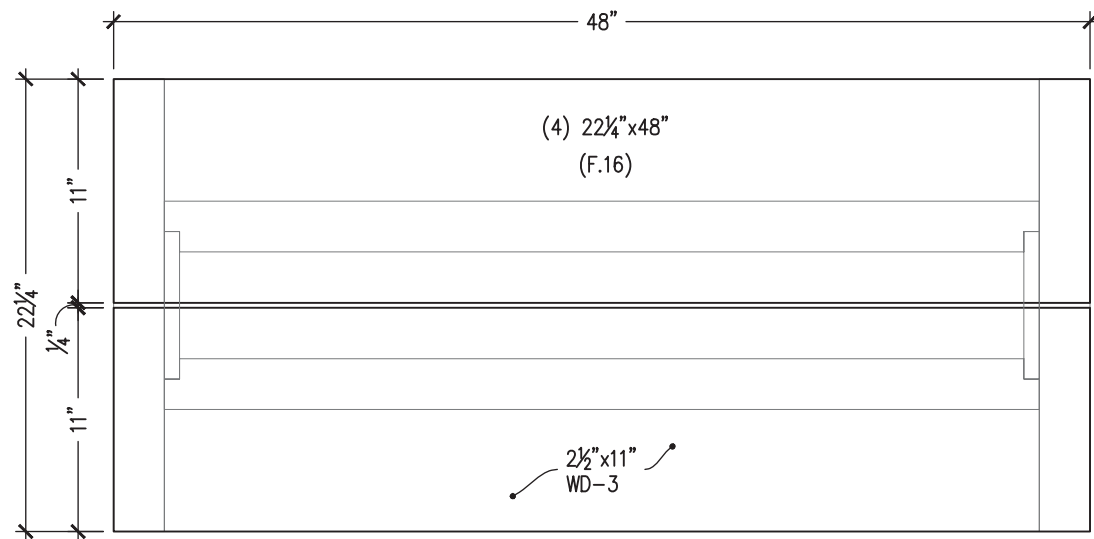
AC PACIFIC ARMLESS STACKABLE BISTRTO SIDE CHAIR, POWDER COATED WHITE





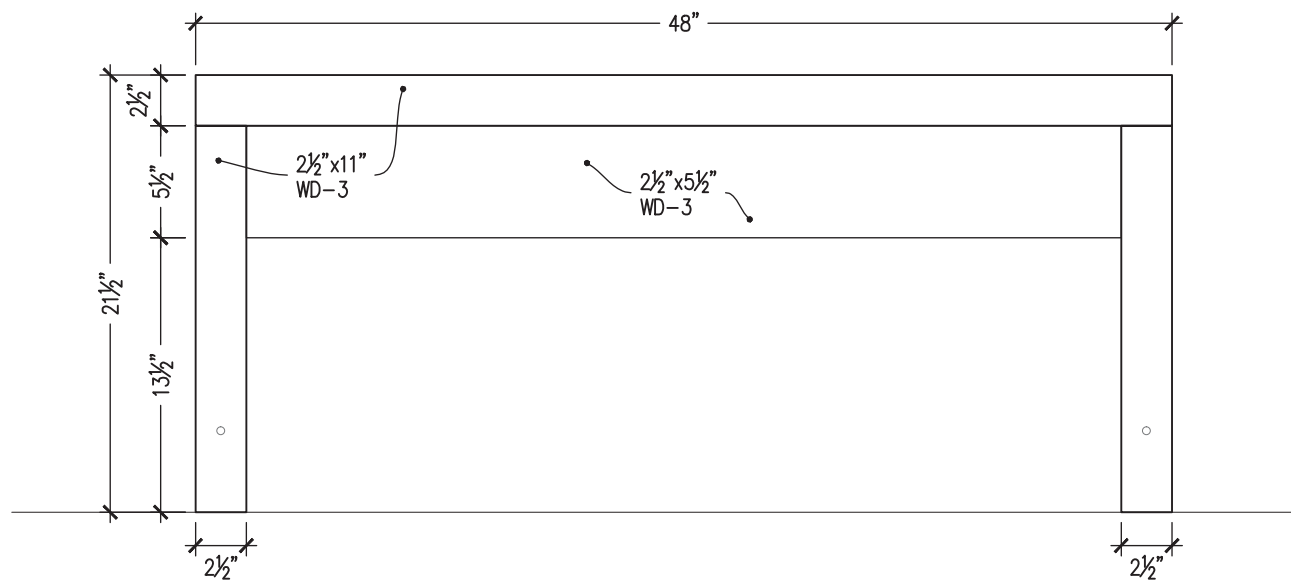
LOUNGE FURNITURE - SEATING

SCALE: NTS

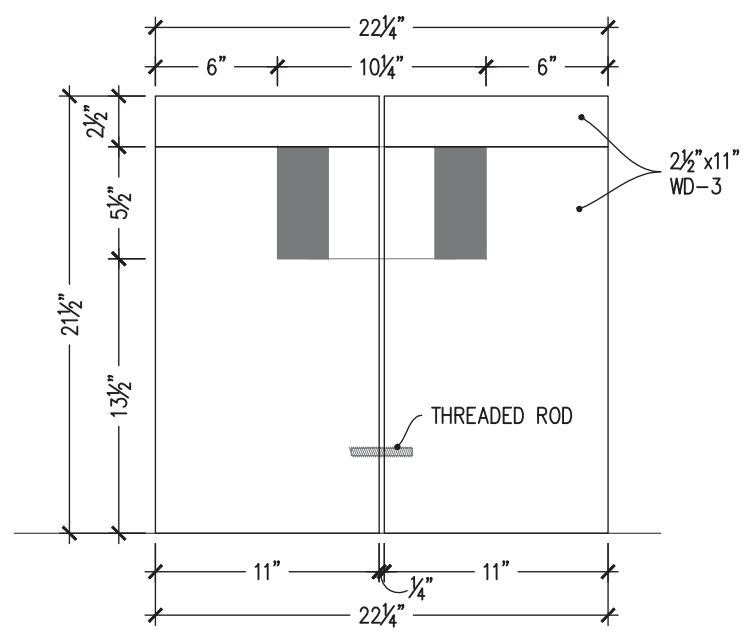


PLAN
SCALE: 1 1/2" = 1'-0"

| Table Specifications | |
|---|----------------------------|
| WD-3 | RECLAIMED DOUGLAS FIR |
| Schedule | |
| (4) | 2 1/4" x 48" TABLES (F.16) |
| * ALL SCREWS TO BE COUNTERSUNK | |
| * BWI TO FURNISH & DELIVER ALL FASTENERS & HARDWARE; GC TO INSTALL IN FIELD | |



FRONT/BACK
SCALE: 1 1/2" = 1'-0"

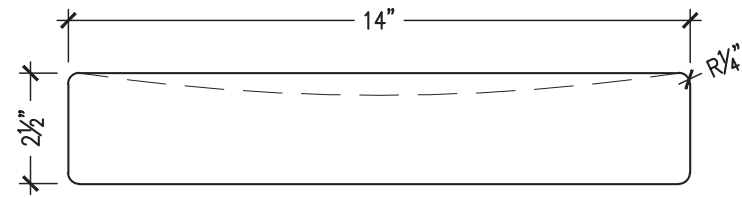


SIDE
SCALE: 1 1/2" = 1'-0"

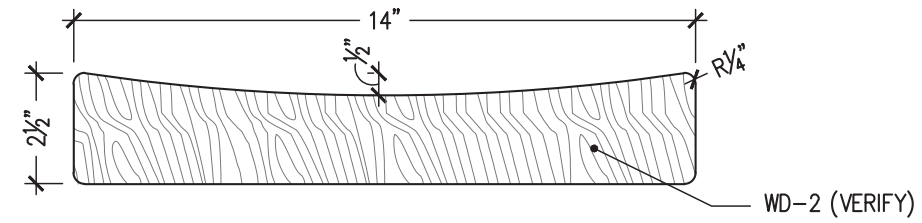


LOUNGE FURNITURE - TABLES

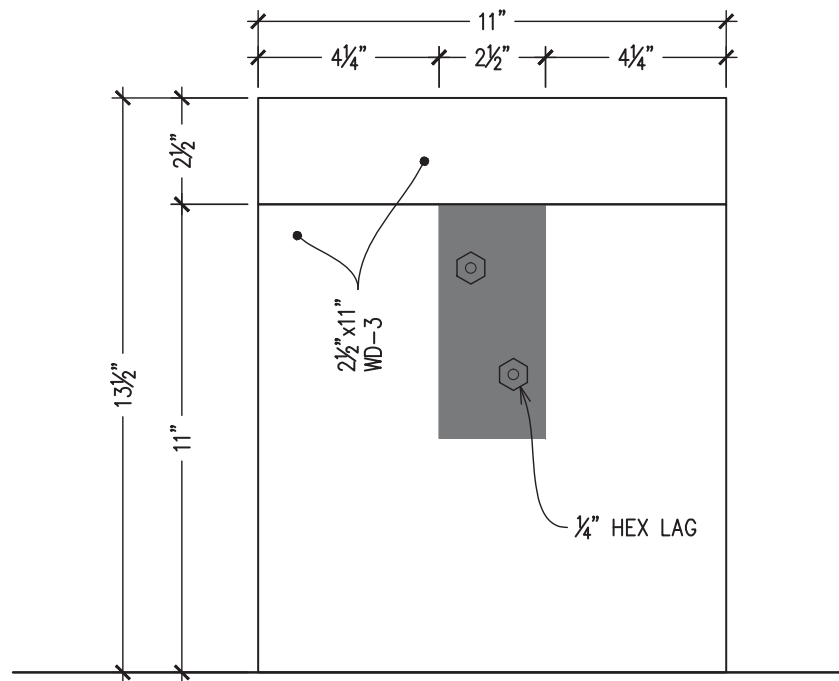
SCALE: NTS



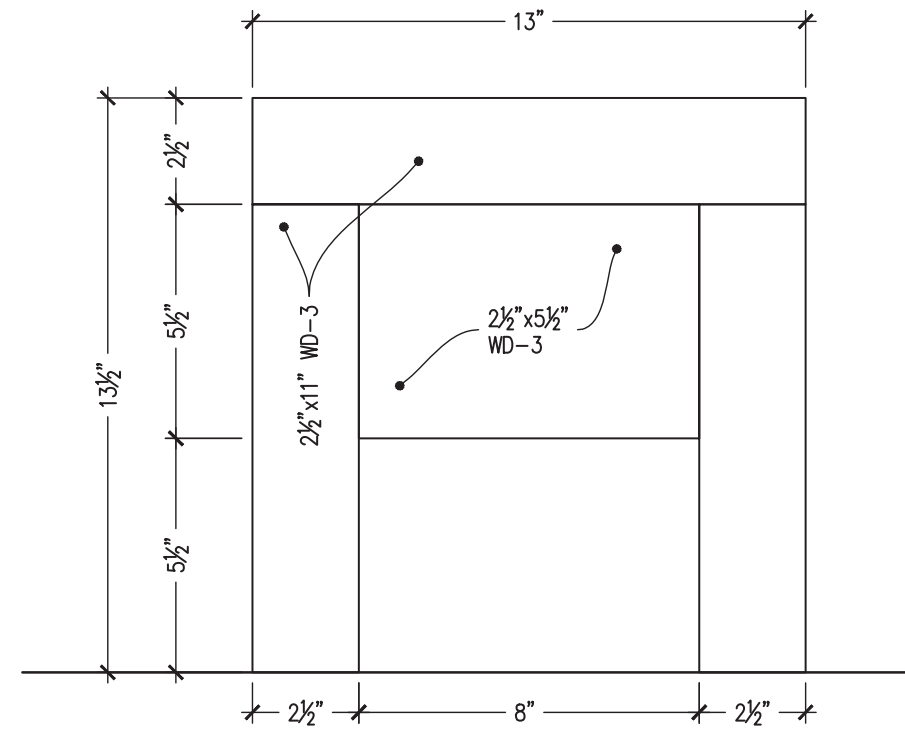
FRONT ELEVATION
SCALE: 3" = 1'-0" (B8 F.14)



STOOL SEAT SECTION
SCALE: 3" = 1'-0"



SIDE ELEVATION
SCALE: 3" = 1'-0"

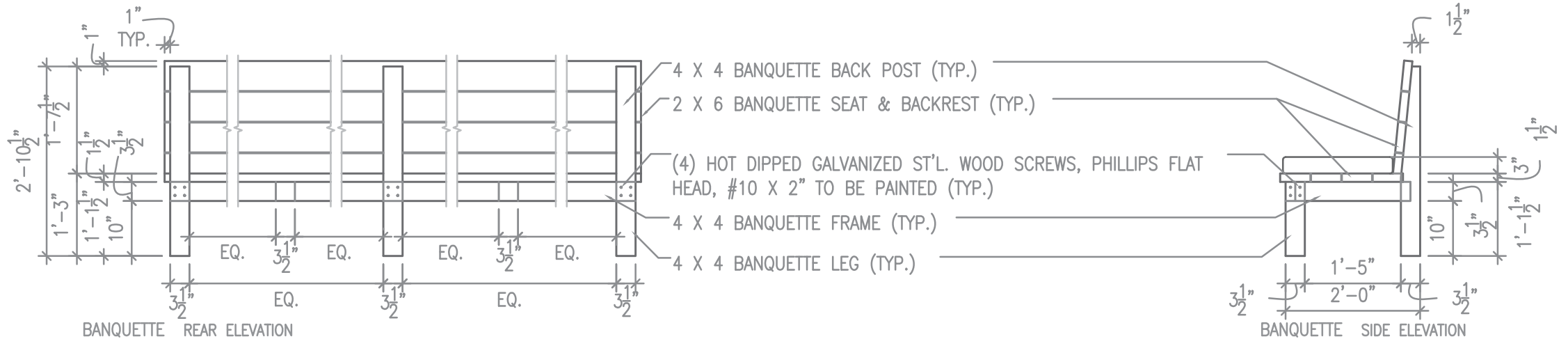
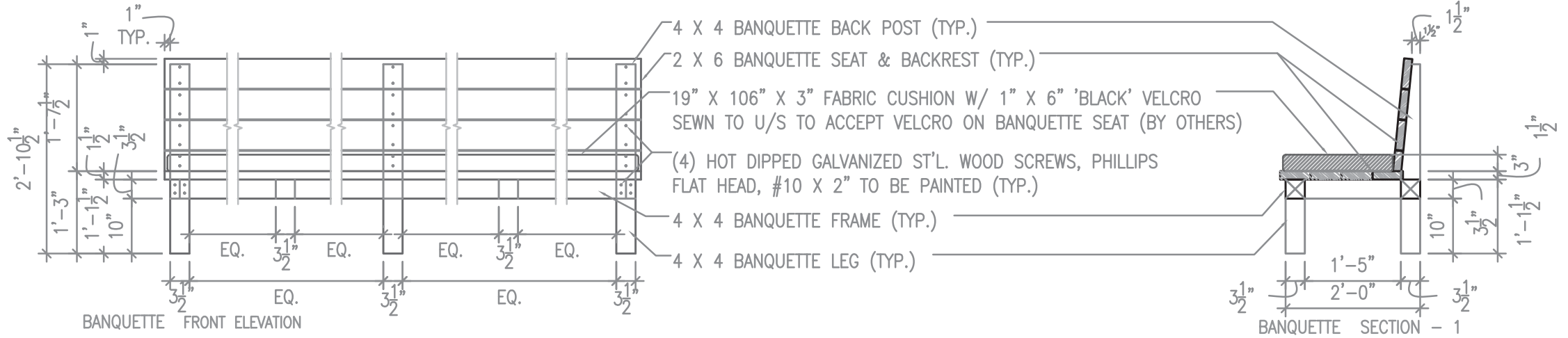
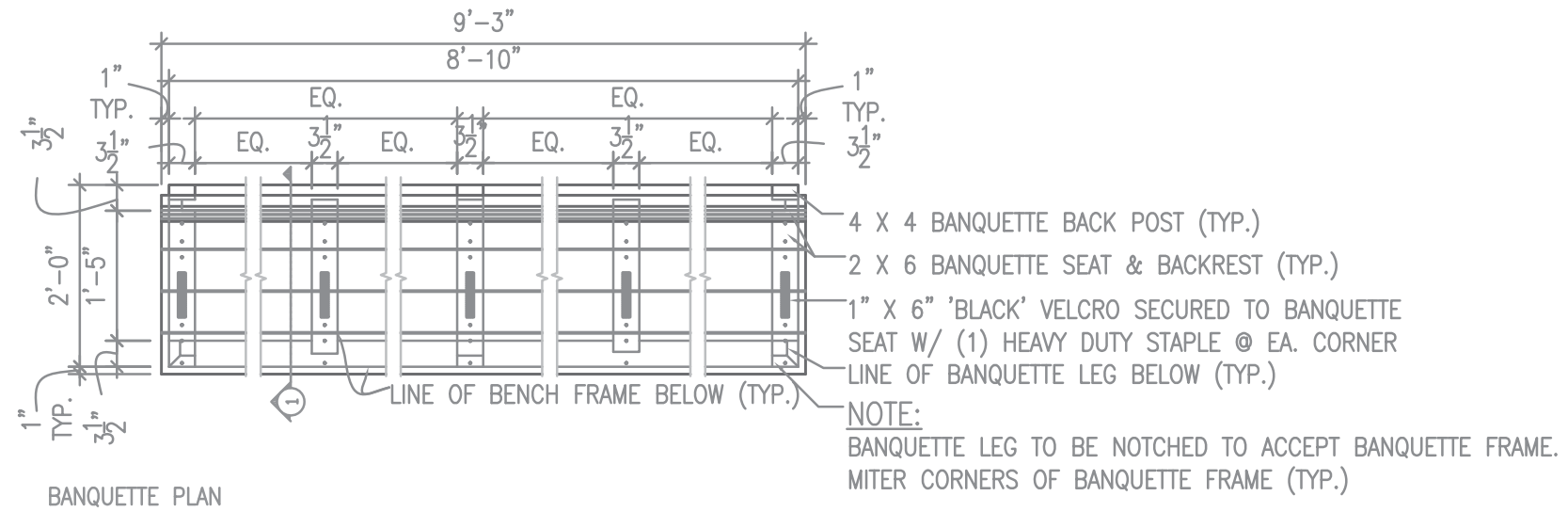


FRONT/BACK
SCALE: 3" = 1'-0" (F.17 B11)



LOUNGE SEATING - STOOLS

SCALE: NTS



BANQUETTE SEATING

SCALE: NTS

