

BURRO BAR



1357 WASHINGTON ST
BOSTON, MA



MORRIS
NATHANSON
DESIGN



163 Exchange Street
Pawtucket, RI 02860
Tel: (401) 723-3800
Fax: (401) 723-3813

THE DRAWINGS ARE A PART OF AN INTEGRATED SET OF CONSTRUCTION CONTRACT DOCUMENTS. REFER TO ALL DRAWINGS AND SPECIFICATIONS INCLUDING BUT NOT LIMITED TO GENERAL CONDITIONS, SUMMARY OF WORK, AND ANY APPLICABLE MANUFACTURERS TECHNICAL SPECIFICATIONS.

REFER TO ALL OF THE DRAWINGS FOR COMPLETE SCOPE OF WORK.

THE DRAWING IS NOT TO BE SCALED AND/OR USED AS AN ASSEMBLY.

THESE DRAWINGS AND SPECIFICATIONS ARE THE PROPERTY AND COPYRIGHT OF MORRIS NATHANSON DESIGN INC. AND SHALL NOT BE USED IN WHOLE OR IN PART, NOR SHALL THEY BE LOANED TO A THIRD PARTY WITHOUT THE EXPRESS WRITTEN PERMISSION OF MORRIS NATHANSON DESIGN INC.

CONTRACTOR TO VERIFY ALL INFORMATION & DIMENSIONS IN FIELD PRIOR TO START OF CONSTRUCTION AND SHALL NOTIFY MORRIS NATHANSON DESIGN INC. OF ANY DISCREPANCIES.

CONSULTANTS:

PROJECT:

BURRO BAR
1357 WASHINGTON ST
BOSTON, MA

REVISIONS

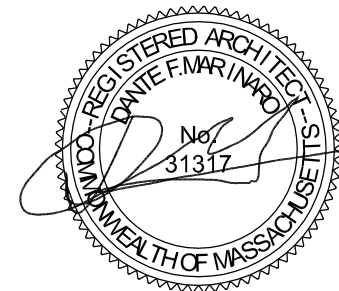
No.	DESCRIPTION	DATE

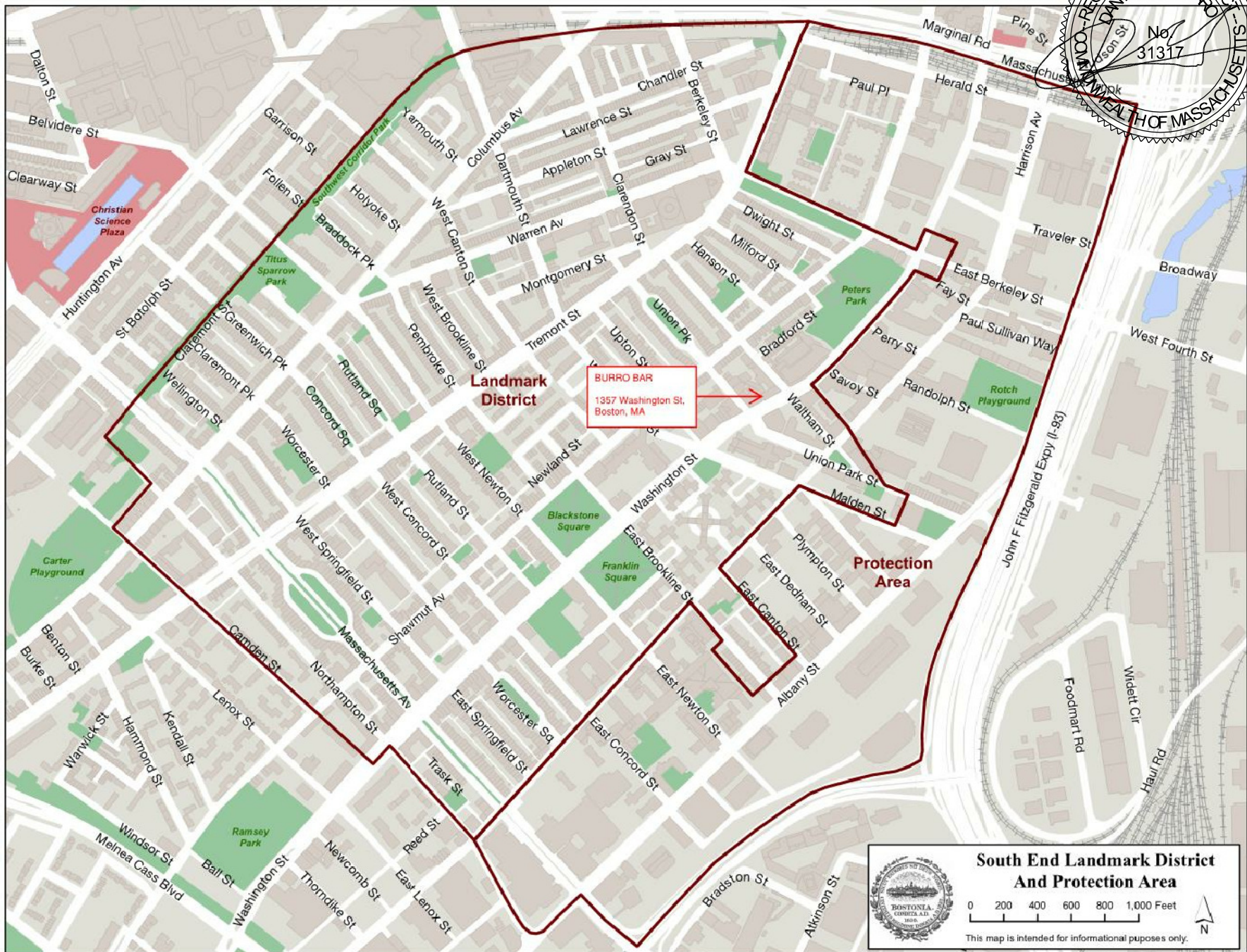
DRAWING TITLE:

TITLE

DESIGN BY: JB	PROJECT: 2017-M
DRAWN BY: JB	SCALE: AS NOTED
DATE: 8-2-18	

**EXT
COVER**





MORRIS NATHANSON DESIGN
 163 Exchange Street
 Pawtucket, RI 02860
 Tel: (401) 723-3800
 Fax: (401) 723-3813

THE DRAWING IS A PART OF AN INTEGRATED SET OF CONSTRUCTION CONTRACT DOCUMENTS. REFER TO ALL DRAWINGS AND SPECIFICATIONS INCLUDING BUT NOT LIMITED TO GENERAL CONDITIONS SUMMARY OF WORK AND ANY APPLICABLE MANUFACTURERS TECHNICAL SPECIFICATIONS.
 REFER TO ALL OF THE DRAWINGS FOR COMPLETE SCOPE OF WORK.
 THESE DRAWINGS AND SPECIFICATIONS ARE THE PROPERTY AND COPYRIGHT OF MORRIS NATHANSON DESIGN INC. AND SHALL NOT BE USED IN WHOLE OR IN PART, NOR SHALL THEY BE SUBMITTED TO A THIRD PARTY WITHOUT THE EXPRESS WRITTEN PERMISSION OF MORRIS NATHANSON DESIGN INC.
 CONTRACTOR TO VERIFY ALL INFORMATION & DIMENSIONS IN FIELD PRIOR TO START OF CONSTRUCTION AND SHALL NOTIFY MORRIS NATHANSON DESIGN INC. OF ANY DISCREPANCIES.

CONSULTANTS:

PROJECT:
BURRO BAR
1357 WASHINGTON ST
BOSTON, MA

REVISIONS		
No.	DESCRIPTION	DATE

DRAWING TITLE:
SOUTH END LANDMARK DISTRICT MAP

DESIGN BY: **JB** PROJECT: **2017-M**
 CHECK BY: **JB** SCALE: **AS NOTED**
 DRAWN BY: **JB** DATE: **05-08**

EXT
1

South End Landmark District And Protection Area

0 200 400 600 800 1,000 Feet

This map is intended for informational purposes only.



EXISTING JUNCTION BOX TO POWER SIGN LIGHTS TO REMAIN. CONDUIT TO BE HIDDEN ALONG TOP OF GRANITE HEADER

NOTE:
EXISTING SIGN LIGHTS TO REMAIN - ANY NEEDED EXISTING CONDUIT TO BE RELOCATED AND HIDDEN ALONG THE TOP OF GRANITE HEADER

ANY REMAINING JUNCTION BOXES & EXPOSED CONDUIT TO BE PAINTED TO MATCH BRICK COLOR AS BEST AS POSSIBLE



REMOVE EXISTING GOOSENECK LIGHTS & ASSOCIATED CONDUIT

NOTE:
HOLES IN BRICK TO BE FILLED WITH COLORED LIQUID CEMENT - COLOR MATCHED TO THE ADJACENT SURFACE



MORRIS
NATHANSON
DESIGN
163 Exchange Street
Pawtucket, RI 02860
Tel: (401) 723-3800
Fax: (401) 723-3813

THE DRAWINGS ARE A PART OF AN INTEGRATED SET OF CONSTRUCTION CONTRACT DOCUMENTS. REFER TO ALL DRAWINGS AND SPECIFICATIONS INCLUDING BUT NOT LIMITED TO GENERAL CONDITIONS, SUMMARY OF WORK, AND ANY APPLICABLE MANUFACTURERS TECHNICAL SPECIFICATIONS.
REFER TO ALL OF THE DRAWINGS FOR COMPLETE SCOPE OF WORK.
THE DRAWING IS NOT TO BE SCALED AND/OR USED AS AN AS-BUILT.
THESE DRAWINGS AND SPECIFICATIONS ARE THE PROPERTY AND COPYRIGHT OF MORRIS NATHANSON DESIGN INC. AND SHALL NOT BE USED IN WHOLE OR IN PART, NOR SHALL THEY BE LOANED TO A THIRD PARTY WITHOUT THE EXPRESS WRITTEN PERMISSION OF MORRIS NATHANSON DESIGN INC.
CONTRACTOR TO VERIFY ALL INFORMATION & DIMENSIONS IN FIELD PRIOR TO START OF CONSTRUCTION AND SHALL NOTIFY MORRIS NATHANSON DESIGN INC. OF ANY DISCREPANCIES.

CONSULTANTS:

PROJECT:

BURRO BAR
1357 WASHINGTON ST
BOSTON, MA

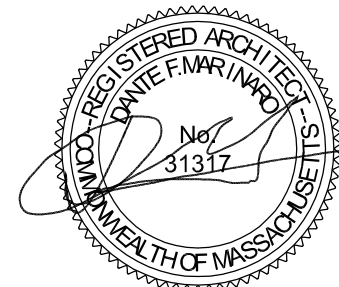
REVISIONS

No.	DESCRIPTION	DATE

DRAWING TITLE:

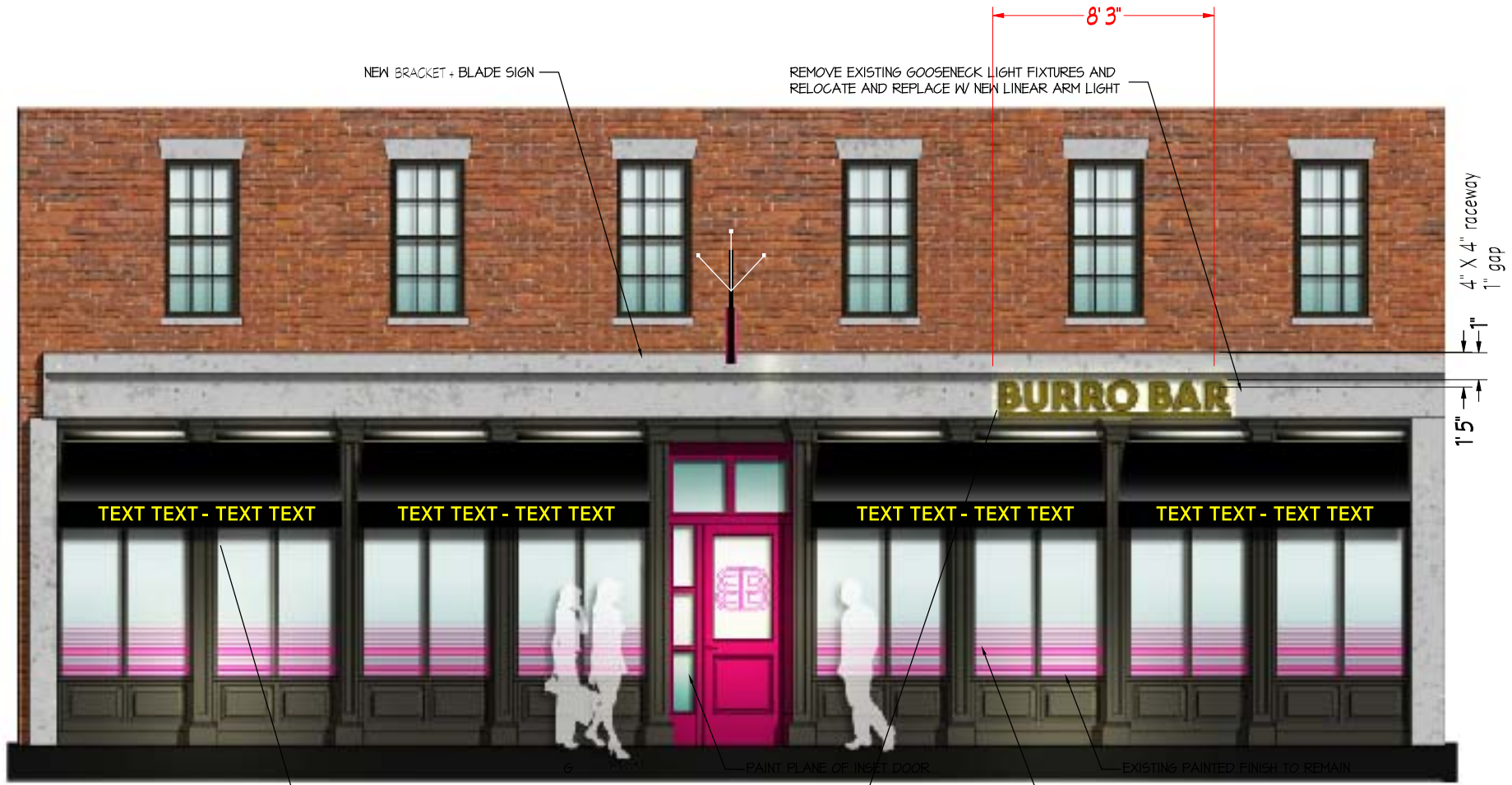
EXISTING PHOTOS

DESIGN BY: JB	PROJECT: 2017-M
DATE: JB	SCALE: AS NOTED
DRAWN BY: JB	DATE: 08-08



EXT
2

EXTERIOR ELEVATION



Sunbrella fabric color: Black. 6" gold ptd copy. gold braid @ 8" hem (straight)

JOB:
BURRO BAR

LOCATION:
1357 WASHINGTON ST. BOSTON

FILE:
BURRO BAR BOSTON_FRONT ELEVATION_1918

DATE:
1918/2 2018

PROJECT MANAGER:
KF

DESIGNED BY:
KRK

CLIENT APPROVAL _____ Date _____

NOTICE TO CLIENT
This drawing is a representation of how your signage will appear. By signing this drawing you are accepting the design as it is presented on this page.



221 Jefferson Boulevard ▲ Warwick, RI
v / 401.738.8055 f / 401.738.8244
www.aathriftysign.com

HALO LIT SIGN

8'-3"



1" gap

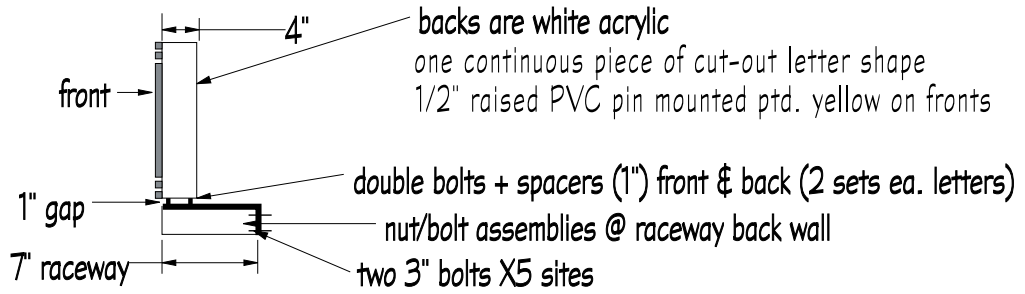
raceway: 4" X 7" deep (removable face)
(1/2" raised PVC pin-mounted to face ptd. yellow)

5 fastening points,
2-3" wedge bolts or
expansion anchors to
granite fascia** @ each
point = 10 total penetration

1 elect. pass through
Liquitite w/72" 3 wire whip (#10)*

12" BLK HALO LIT CHANNEL
LETTERS W FACE
APPLIED DECORATIVE
ACRYLIC LETTERING
SHAPES 1/2" THICK

+7" out ledge
two 3" bolts



backs are white acrylic
one continuous piece of cut-out letter shape
1/2" raised PVC pin mounted ptd. yellow on fronts

double bolts + spacers (1") front & back (2 sets ea. letters)
nut/bolt assemblies @ raceway back wall
two 3" bolts X 5 sites

LETTERS BOLTED TO
raceway at bottoms

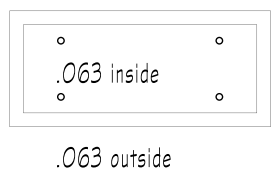
INTERNAL LED

ELECTRICAL RACEWAY
containing power supplies

3" void to wall behind letters

elect.*

REFLECTED VIEW OF LETTER BOTTOMS



double layered
with .063 inside bottom
Letter bottoms must
be reinforced.



JOB:
BURRO BAR

LOCATION:
1357 WASHINGTON ST. BOSTON

FILE:
BURRO BAR BOSTON_RACEWAY_1 9 18

DATE:
1 9 18/2 20 18

PROJECT MANAGER:
KF

DESIGNED BY:
KRK

CLIENT APPROVAL

_____ Date _____

NOTICE TO CLIENT
This drawing is a representation of how your signage will appear. By signing this drawing you are accepting the design as it is presented on this page.



221 Jefferson Boulevard ▲ Warwick, RI
v / 401.738.8055 f / 401.738.8244
www.aathriftysign.com

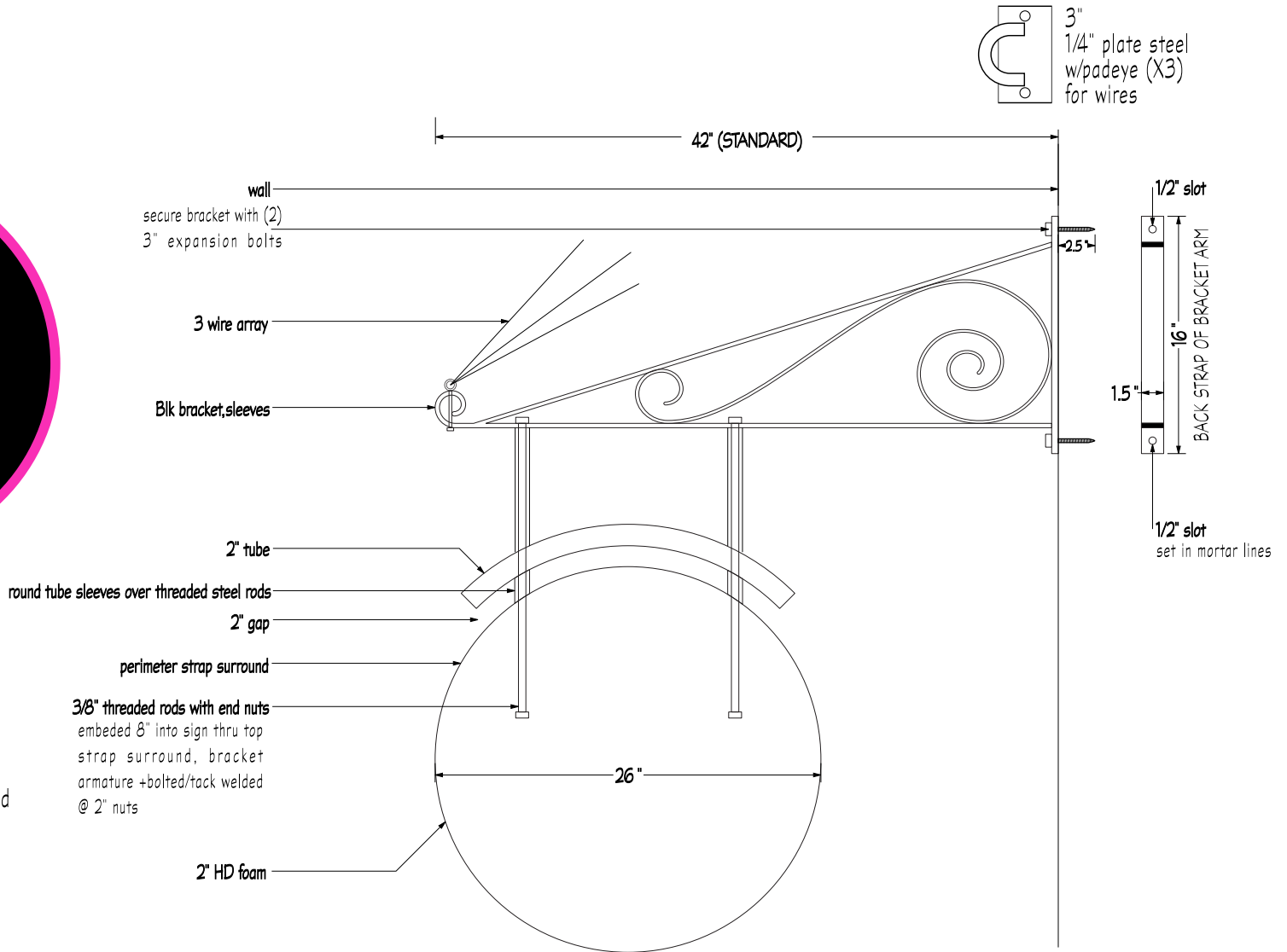
BLADE SIGN



3" copy

**BURRO
BAR**

1/2" raised PVC @ perimeter
+ logo/letters pinned + epoxied
to 2" HD foam substrate



JOB:
BURRO BAR

LOCATION:
1357 WASHINGTON ST. BOSTON

FILE:
BURRO BAR BOSTON_BLADE SIGN_1 9 18

DATE:
1 9 18/2 20 18

PROJECT MANAGER:
KF

DESIGNED BY:
KRK

CLIENT APPROVAL

Date _____

NOTICE TO CLIENT

This drawing is a representation of how your signage will appear. By signing this drawing you are accepting the design as it is presented on this page.



221 Jefferson Boulevard ▲ Warwick, RI

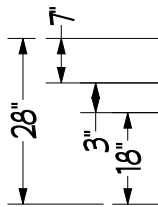
v / 401.738.8055 f / 401.738.8244

www.aathriftysign.com

back strap of bracket arm must be fastened in mortar lines between bricks



padeye X3 for wires fastened in mortar lines



JOB:
BURRO BAR

LOCATION:
1357 WASHINGTON ST. BOSTON

FILE:
BURRO BAR BOSTON_BLADE SIGN_1 9 18

DATE:
2 8 18/2 20 18

PROJECT MANAGER:
KF

DESIGNED BY:
KRK

CLIENT APPROVAL

Date _____

NOTICE TO CLIENT

This drawing is a representation of how your signage will appear. By signing this drawing you are accepting the design as it is presented on this page.



221 Jefferson Boulevard ▲ Warwick, RI

v / 401.738.8055 f / 401.738.8244

www.aathriftysign.com



MORRIS NATHANSON DESIGN

163 Exchange Street
Pawtucket, RI 02860
Tel: (401) 723-3800
Fax: (401) 723-3813

THE DRAWINGS ARE A PART OF AN INTEGRATED SET OF CONSTRUCTION CONTRACT DOCUMENTS. REFER TO ALL DRAWINGS AND SPECIFICATIONS INCLUDING BUT NOT LIMITED TO GENERAL CONDITIONS SUMMARY OF WORK AND ANY APPLICABLE MANUFACTURERS TECHNICAL SPECIFICATIONS.

REFER TO ALL OF THE DRAWINGS FOR COMPLETE SCOPE OF WORK.

THE DRAWING IS NOT TO BE SCALED AND/OR USED AS AN ASSEMBLY.

THESE DRAWINGS AND SPECIFICATIONS ARE THE PROPERTY AND COPYRIGHT OF MORRIS NATHANSON DESIGN INC. AND SHALL NOT BE USED IN WHOLE OR IN PART, NOR SHALL THEY BE LOANED TO A THIRD PARTY WITHOUT THE EXPRESS WRITTEN PERMISSION OF MORRIS NATHANSON DESIGN INC.

CONTRACTOR TO VERIFY ALL INFORMATION & DIMENSIONS IN FIELD PRIOR TO START OF CONSTRUCTION AND SHALL NOTIFY MORRIS NATHANSON DESIGN INC. OF ANY DISCREPANCIES.

CONSULTANTS:

PROJECT:

BURRO BAR
1357 WASHINGTON ST
BOSTON, MA

REVISIONS

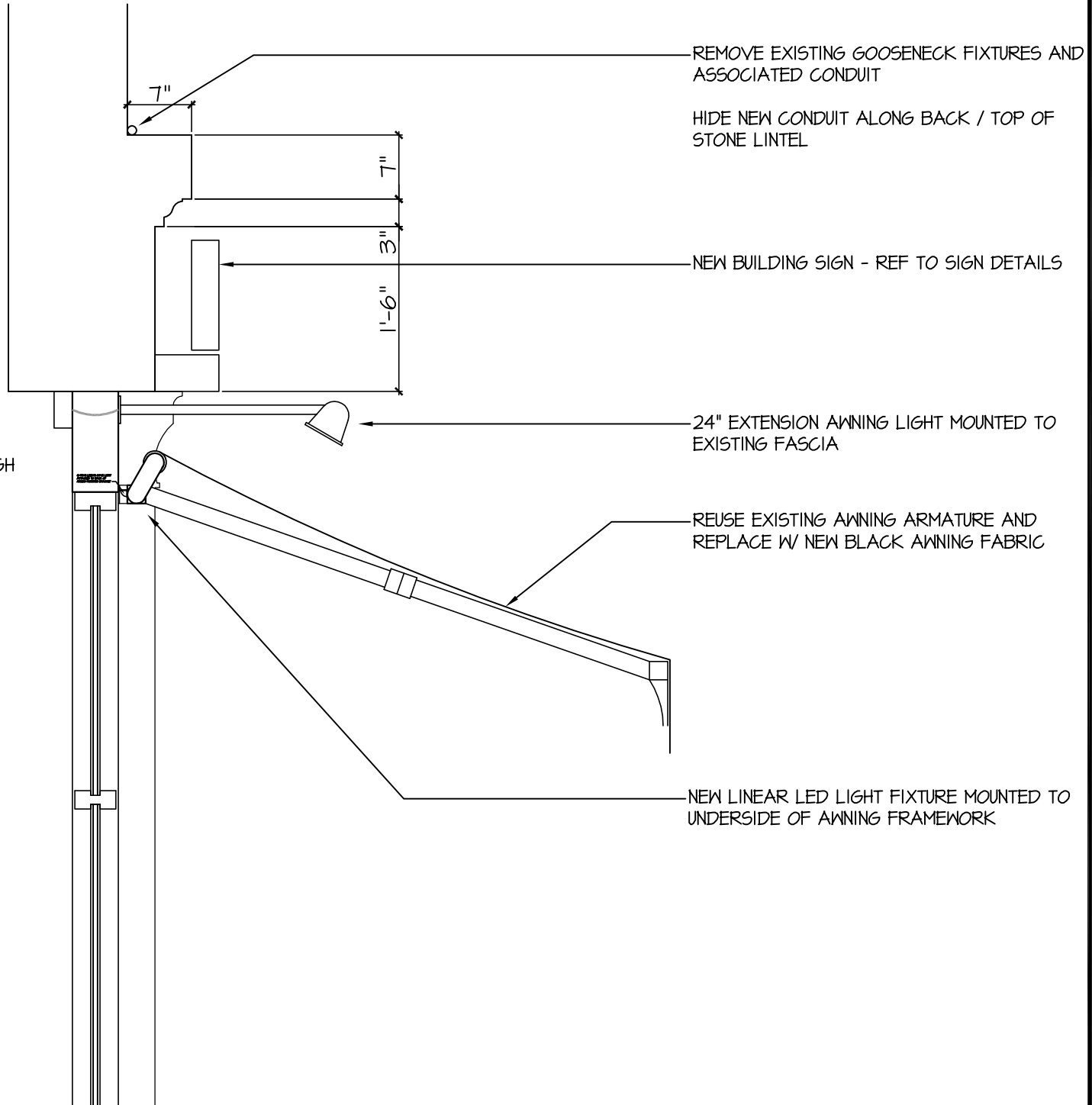
No.	DESCRIPTION	DATE

DRAWING TITLE:

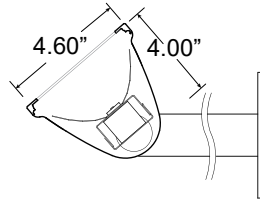
SECTION DETAIL

DSGN. BY: JB	PROJ. #: 2017-11
CHK. BY: JB	SCALE: AS NOTED
DRWN. BY: JB	DATE: 01-03-18

EXT
4A



FIXTURE MOUNTED TO INTERIOR J-BOX - LOCATE FIXTURE AS HIGH AS POSSIBLE



ORDERING CODE

<p>N1</p> <p style="background-color: #cccccc; padding: 2px 10px; display: inline-block;">G</p>

PROJECT INFO

TYPE

DATE

QUANTITY

PERFORMANCE AT 4000K

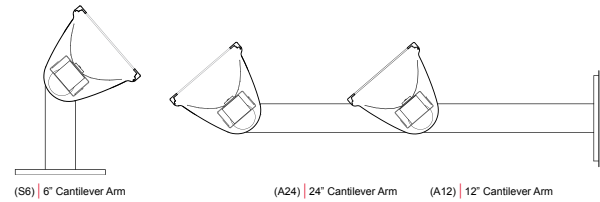
OUTPUT	DISTRIBUTION	NOMINAL LUMEN OUTPUT	INPUT WATTS	EFFICACY
High	Broad	1050 lm/ft	9.5 W/ft	110 lm/W
	Narrow	1085 lm/ft	9.5 W/ft	114 lm/W
Standard	Broad	527 lm/ft	4.75 W/ft	111 lm/W
	Narrow	544 lm/ft	4.75 W/ft	115 lm/W

Custom tuned output available from 25% to 125% of high output. Please consult factory for custom lumen output and wattage.

LIGHT LOSS FACTORS

	OUTPUT	LED CCT	CRI
BASILINE	LH	4000K	80+ CRI
	LS - 50%	3500K - 97%	90+ CRI - 80%
		3000K - 93%	

MOUNTING OPTIONS



SERIES	LENGTH	OUTPUT	LED CCT	VOLTAGE	DISTRIBUTION
N1	<p>4 Nominal 4'</p> <p>8 Nominal 8'</p> <p>12 Nominal 12'</p> <p>R_ Nominal length 16' and over*</p> <p><small>*Specify lengths in 4' increments</small></p>	<p>LS LED Standard Output</p> <p>LH LED High Output</p>	<p>30 3000K</p> <p>35 3500K</p> <p>40 4000K</p>	<p>U Universal 120V - 277V</p> <p>3 347V</p>	<p>B Broad</p> <p>N Narrow</p>

DIRECT OPTICS	MOUNTING	FINISH	DIMMING	EMERGENCY	OPTIONS
<p>G Glass</p>	<p>A12 12" Cantilever Arms</p> <p>A24 24" Cantilever Arms</p> <p>S6 6" Ground Mount</p>	<p>T a·lightanium™</p> <p>W Satin White</p> <p>B Satin Black</p>	<p>D Standard 0-10 Dimming*</p> <p>D1 Lutron Eco H series (LDE1)</p> <p><small>*Dimming to 1% stated for standard 0-10v dimming</small></p>	<p>E1 Emergency - battery*</p> <p><small>*(1) ILB-SL-CP12 (1200lm for 90min). Specify desired quantity of batteries. Not available on fixtures < 4" length. Not available for 347V.</small></p>	<p>N New York City Code</p>



MORRIS
NATHANSON
DESIGN



163 Exchange Street
Pawtucket, RI 02860
Tel: (401) 723-3800
Fax: (401) 723-3813

THE DRAWING IS A PART OF AN INTEGRATED SET OF
CONSTRUCTION CONTRACT DOCUMENTS. REFER TO
ALL DRAWINGS AND SPECIFICATIONS INCLUDING BUT
NOT LIMITED TO GENERAL CONDITIONS SUMMARY
OF WORK AND ANY APPLICABLE MANUFACTURERS
TECHNICAL SPECIFICATIONS.

REFER TO ALL OF THE DRAWINGS FOR COMPLETE
SCOPE OF WORK.

THIS DRAWING IS NOT TO BE SCALED AND/OR
USED AS AN ASSEMBLY.

THESE DRAWINGS AND SPECIFICATIONS ARE THE
PROPERTY AND COPYRIGHT OF MORRIS NATHANSON
DESIGN INC. AND SHALL NOT BE USED IN WHOLE OR
IN PART, NOR SHALL THEY BE LOANED TO A THIRD
PARTY WITHOUT THE EXPRESS WRITTEN PERMISSION OF
MORRIS NATHANSON DESIGN INC.

CONTRACTOR TO VERIFY ALL INFORMATION &
DIMENSIONS IN FIELD PRIOR TO START OF
CONSTRUCTION AND SHALL NOTIFY MORRIS
NATHANSON DESIGN INC. OF ANY DISCREPANCIES.

CONSULTANTS:

PROJECT:

BURRO BAR
1357 WASHINGTON ST
BOSTON, MA

REVISIONS

No.	DESCRIPTION	DATE

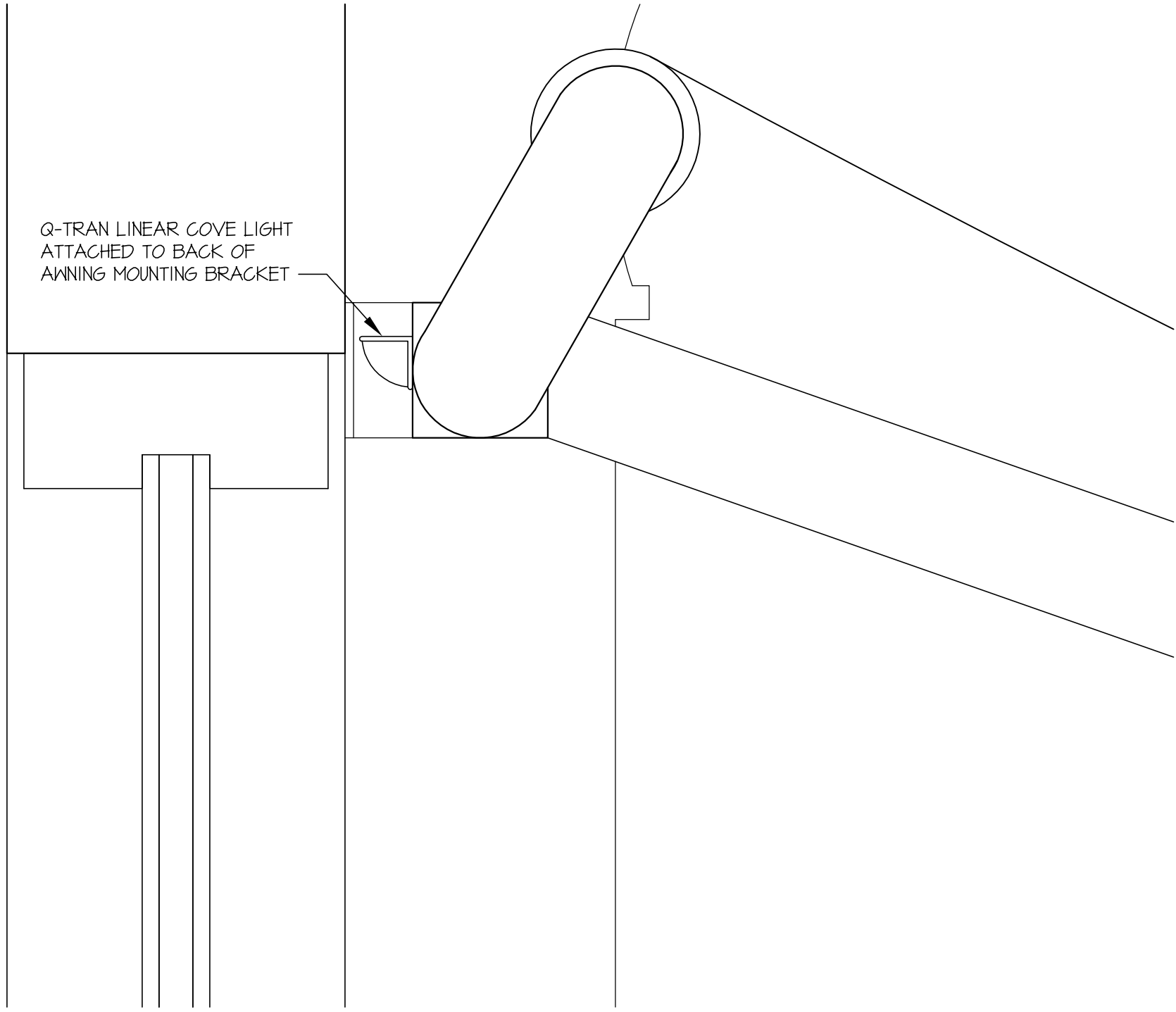
DRAWING TITLE:

COVE LIGHT

DSGN. BY: JB	PROJ. #:	2017-11
CHK. BY: JB	SCALE:	AS NOTED
DRAWN BY: JB	DATE:	01-03-18

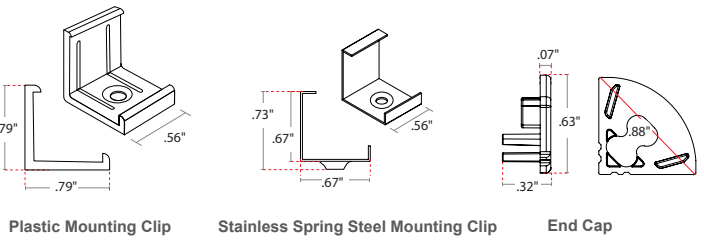
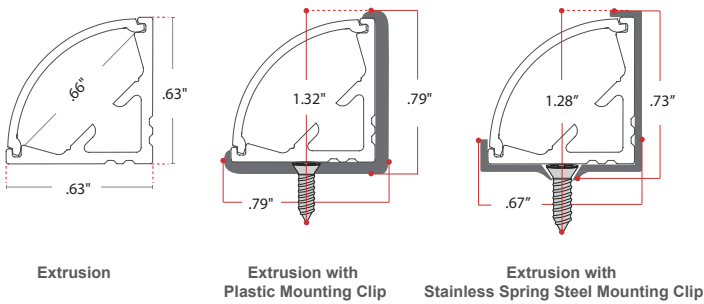
EXT

Q-TRAN LINEAR COVE LIGHT
ATTACHED TO BACK OF
AWNING MOUNTING BRACKET

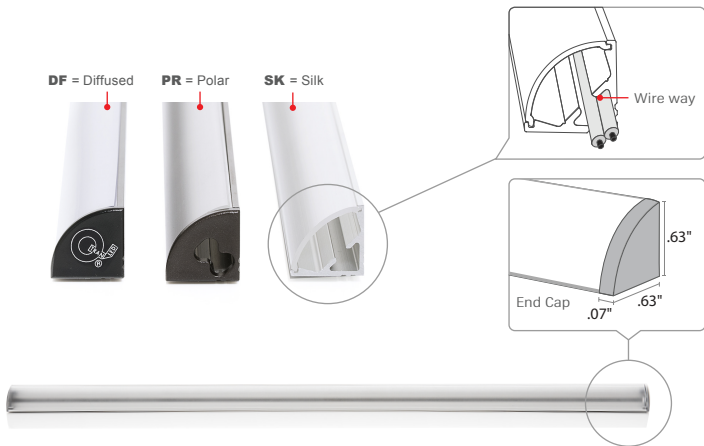




DIMENSIONS



NOTE: The mounting clips work for both ARKA and TELA extrusions.
Plastic mounting clip ships with Black (BK) and Bronze (BZ) finishes.
Stainless Spring Steel mounting clip ships with Satin (ST) finish only.



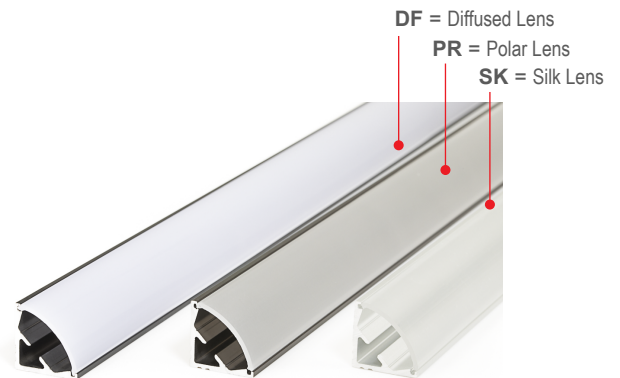
- iQA-ARKA** : Profile Aluminum Extrusions
- Max Length** : 98.43 in
- Finish** : Satin (ST), Bronze (BZ), Black (BK)
- Material** : Anodized Aluminum
- Lens** : Diffused (DF), Polar (PR), Silk (SK)
- Beam Angle** : 132°
- Fits** : iQ20, iQ54, iQ65, iQ67, iQ68

ORDERING GUIDE

iQA	-	ARKA	-	<input type="text"/>	-	<input type="text"/>	-	<input type="text"/>
Category		Model		Finish		Lens		Length

- Finish : **ST** = Satin **BZ** = Bronze **BK** = Black
- Lens : **DF** = Diffused **PR** = Polar **SK** = Silk
- Length : Max = 98.43"

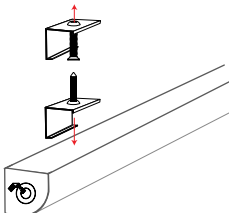
NOTE: Custom colors available upon request.



PROJECT NAME	DATE	COMPANY	TYPE	NOTE

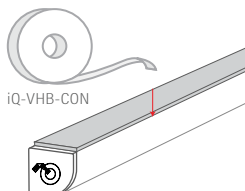
ARKA: INSTALLATION INSTRUCTIONS

Clips



- Q-Tran provided for installation (Up to 48" - 2 included; over 48" - 4 included)

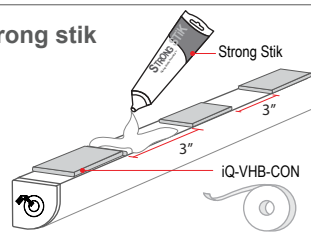
VHB Foam Tape



iQ-VHB-CON

- Sold separately. See more in VHB Tape cut sheet.

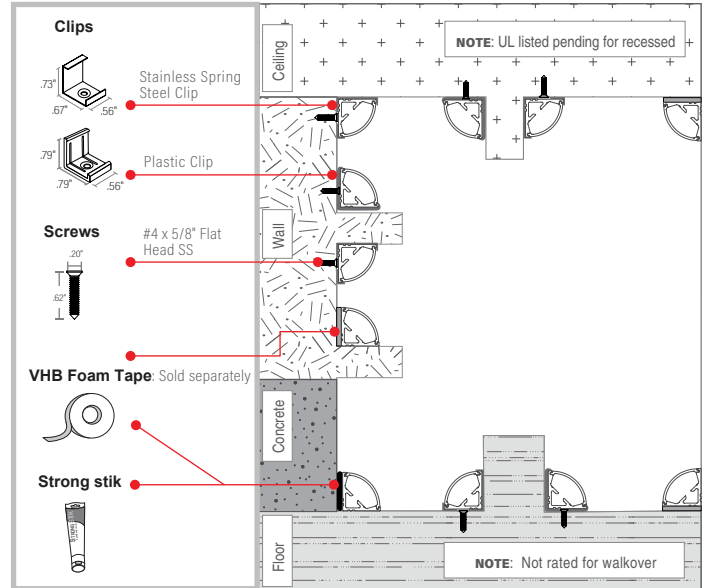
Strong stik



Strong Stik

iQ-VHB-CON

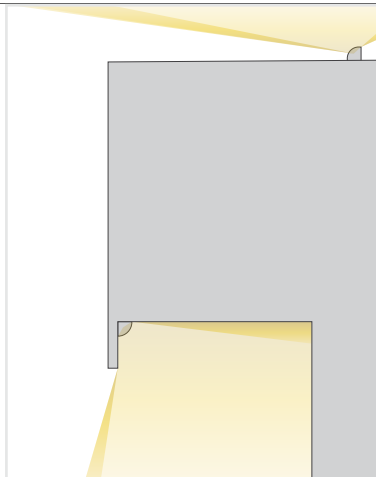
- Purchase from local hardware store.



MOUNTING OPTIONS

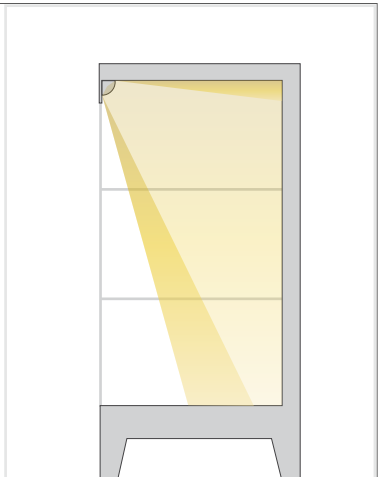
Cove, Under & over cabinet:

Ideal for office, retail, hospitality, education, laboratory and residential.



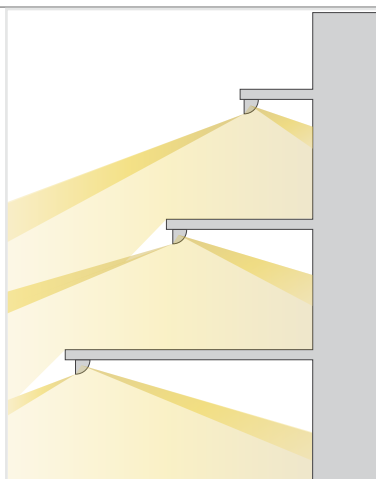
Display cabinet:

Ideal for retail and hospitality.



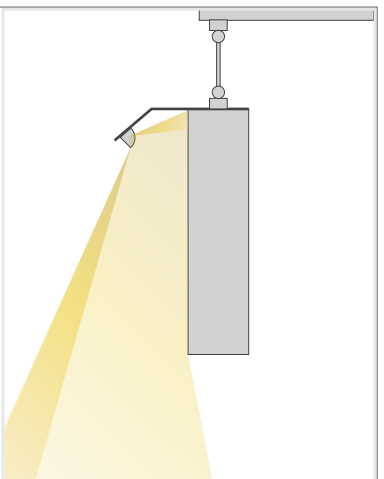
Shelf:

Ideal for office, retail, hospitality, education, laboratory and residential.



Signage:

Ideal for lobby, retail, hospitality, institutional, and transportation.





IQLED TAPE LIGHT **3528 CHIP SERIES**
iQ67 3.2 W/ft: WET RATED



Q-Tran's iQ67 flexible LED tape light is wet listed and available in multiple color temperatures ranging from 2500K – 4000K. The 3.2 W/Ft utilizes the 3528 chip, can come in a 30' reel, has cut points of 1.97", can be cut to length in the field or cut to length at the Q-Tran factory. The lumen output of this LED makes it perfect for most exterior or interior application where a coated LED is required.

iQ67	-	35	-	90	-	3.2	-	
iQ Series		Color Temp		Chip		CRI		Watts Per FT Length

FEATURES

- LED life time - 40,000 hours
- Operating temperature: -4°F ~ +113°F
- Suitable for dry, damp or wet locations
- Non-Ferrous Material
- 1.97" cut points
- Field cuttable
- 3 year warranty

iQ67-25-35-90-3.2

Max Run / Reel Length: 30ft* | Color Temp: 2500K | Voltage: 24VDC
 CRI: 90+ | LM: 79 | WattsPer Ft: 3.2 | Lumens Per Ft: 254

iQ67-27-35-90-3.2

Max Run / Reel Length: 30ft* | Color Temp: 2700K | Voltage: 24VDC
 CRI: 90+ | LM: 79 | WattsPer Ft: 3.2 | Lumens Per Ft: 277

iQ67-30-35-90-3.2

Max Run / Reel Length: 30ft* | Color Temp: 3000K | Voltage: 24VDC
 CRI: 90+ | LM: 79 | WattsPer Ft: 3.2 | Lumens Per Ft: 285

iQ67-35-35-90-3.2

Max Run / Reel Length: 30ft* | Color Temp: 3500K | Voltage: 24VDC
 CRI: 90+ | LM: 79 | WattsPer Ft: 3.2 | Lumens Per Ft: 296

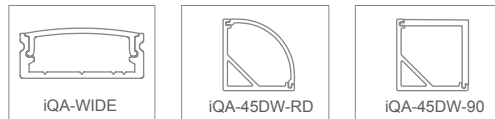
iQ67-40-35-90-3.2

Max Run / Reel Length: 30ft* | Color Temp: 4000K | Voltage: 24VDC
 CRI: 90+ | LM: 79 | WattsPer Ft: 3.2 | Lumens Per Ft: 305

*Maximum length for one run of iQ67 LED 3.2. Individual Power supply cut sheets will provide max distance/loads per power supply.

NOTE: Q-Tran offers multiple LED Chip offerings based upon size and pitch,each utilizing its own binning. Utilization of multiple outputs within the same chip family will ensure flawless color matching and similar overall diffusion.

COMPATIBLE EXTRUSIONS



NOTE: Can be used in wet locations.

COMPATIBLE POWER SUPPLIES

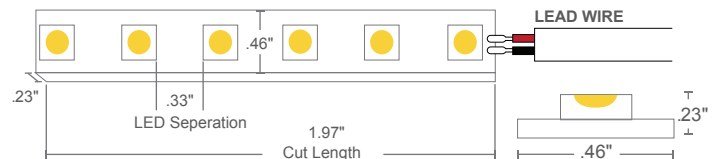
Interior Applications

- QJB & QJBL
- Q6M-DC & DC+CAP
- QTM-eLED, QTM-DC & DC+CAP
- iQ-PH

Exterior Applications

- QOM-eLED, QOM-DC & DC+CAP
- Q-SET-eLED & Q-SET-mLED
- Q-HEX-Mini-DC
- iQ-PH

DIMENSIONS



NOTE: Cut marks of LED tape allows for changes in the field.

3.2 watts per foot = cut every 1.97"

Lead wire comes standard on all LEDs in 18" (20/2 AWG)



2016.V02

PROJECT NAME	DATE	COMPANY	TYPE	NOTE

COMMERCIAL DISTRICT
1000 N. 1ST ST.
NORTH WASHINGTON
DISTRICT OF COLUMBIA
20004-4400

1000 N 1st St
NORTH WASHINGTON
DISTRICT OF COLUMBIA
20004-4400









UNION

UNION

UNION

UNION

1871

NO PARKING
ANYTIME

NO PARKING
ANYTIME

1.00
2.00

UNION

UNION
RESTAURANT