

APPLICATION CONTINUANCE FROM 11/16/17 BHAC HEARING:

1. REDUCE AREA OF GRANITE PAVERS AT THE NORTH ENTRANCE.
2. PROVIDE LOWER FENCE ALONG MUGAR WAY SIDEWALK.
3. REDUCE SCALE OF EXTERIOR SCONCES.
4. PROVIDE ALTERNATE LIGHT FIXTURES IN LOGGIA.

BHAC HEARING | 2017.12.21

JOHN JEFFRIES HOTEL

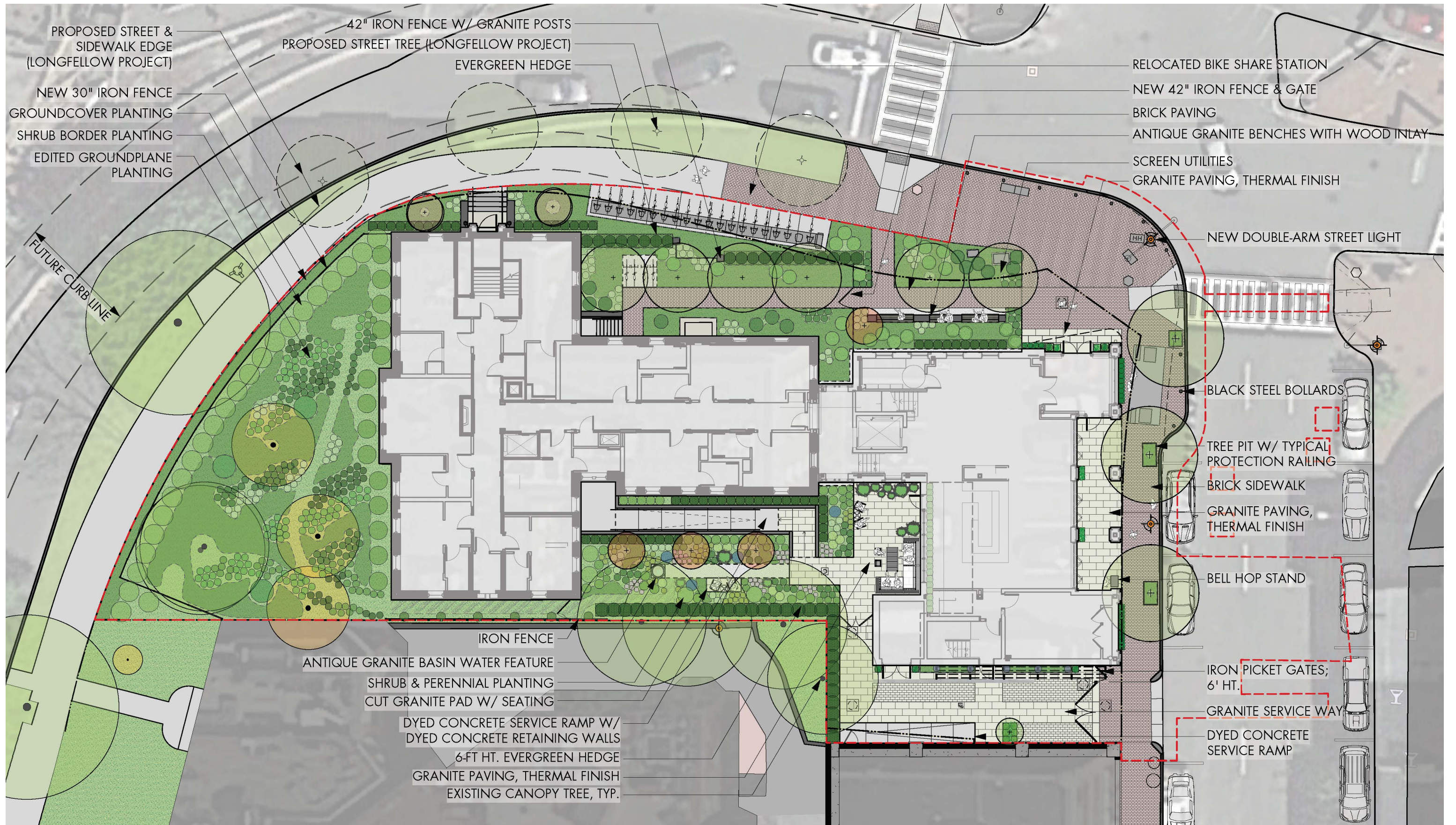
HACIN + ASSOCIATES
500 HARRISON AVE. STUDIO 4F
BOSTON MA 02118
P 617.426.0077
WWW.HACIN.COM @HACINASSOCIATES

© 2017 HACIN ARCHITECTS LLC ALL RIGHTS RESERVED.

RELATED
BEAL

MCLD

H+A

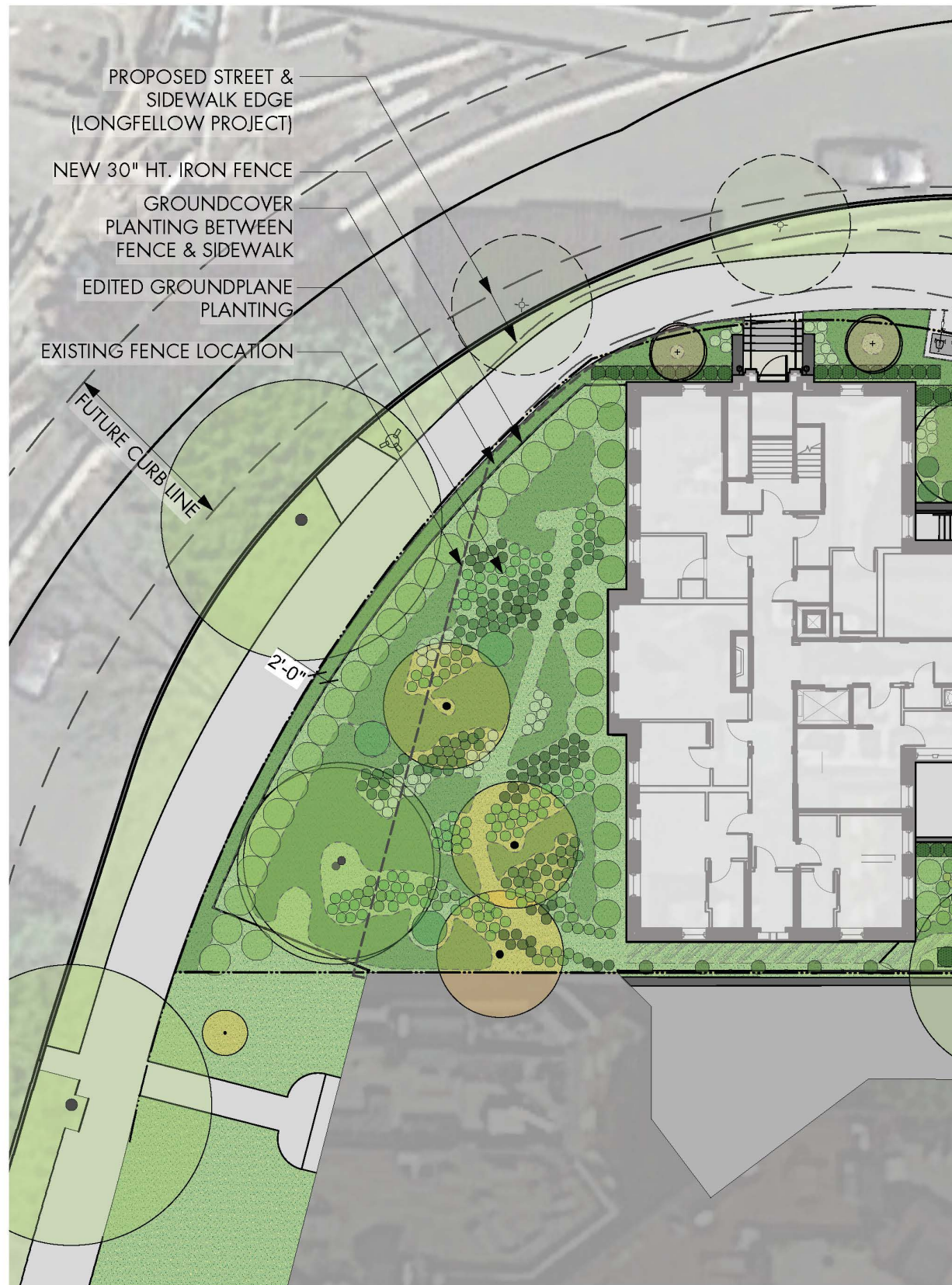


FENCING ALONG MUGAR WAY

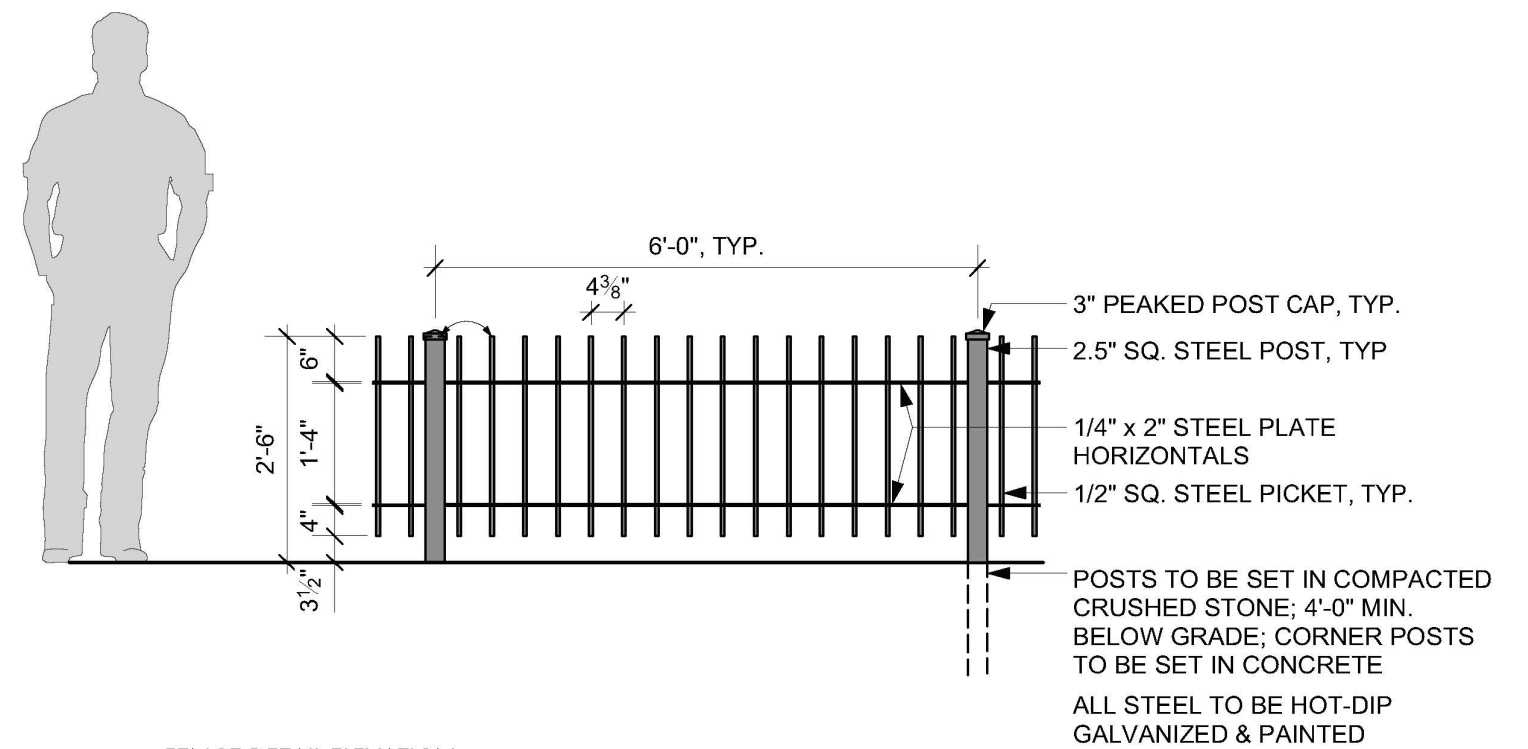
JOHN JEFFRIES HOTEL | BHAC HEARING | 2017.12.21 | PG 2

© 2017 HACIN ARCHITECTS LLC ALL RIGHTS RESERVED.





PRECEDENT FENCE AT 145 PICKNEY STREET



FENCE DETAIL ELEVATION

FENCING ALONG MUGAR WAY

JOHN JEFFRIES HOTEL | BHAC HEARING | 2017.12.21 | PG 3

© 2017 HACIN ARCHITECTS LLC ALL RIGHTS RESERVED.





VIEW ALONG MUGAR WAY

JOHN JEFFRIES HOTEL | BHAC HEARING | 2017.12.21 | PG 4

© 2017 HACIN ARCHITECTS LLC ALL RIGHTS RESERVED.





SITE PLAN - 11/16/17 BHAC RECOMMENDATION

ENTRY PAVERS

JOHN JEFFRIES HOTEL | BHAC HEARING | 2017.12.21 | PG 5

© 2017 HACIN ARCHITECTS LLC ALL RIGHTS RESERVED.



SITE PLAN - PREFERRED SCHEME





VIEW AT CORNER OF CHARLES & CAMBRIDGE STREETS

JOHN JEFFRIES HOTEL | BHAC HEARING | 2017.12.21 | PG 6

© 2017 HACIN ARCHITECTS LLC ALL RIGHTS RESERVED.





VIEW OF ENTRANCE & LOGGIA

JOHN JEFFRIES HOTEL | BHAC HEARING | 2017.12.21 | PG 7

© 2017 HACIN ARCHITECTS LLC ALL RIGHTS RESERVED.





VIEWS OF LOGGIA

JOHN JEFFRIES HOTEL | BHAC HEARING | 2017.12.21 | PG 8

© 2017 HACIN ARCHITECTS LLC ALL RIGHTS RESERVED.





EXTERIOR LIGHTING AT CHARLES STREET ELEVATION

JOHN JEFFRIES HOTEL | BHAC HEARING | 2017.11.16 | PG 9

© 2017 HACIN ARCHITECTS LLC ALL RIGHTS RESERVED.





EXTERIOR LIGHTING AT MUGAR WAY ELEVATION

JOHN JEFFRIES HOTEL | BHAC HEARING | 2017.11.16 | PG 10

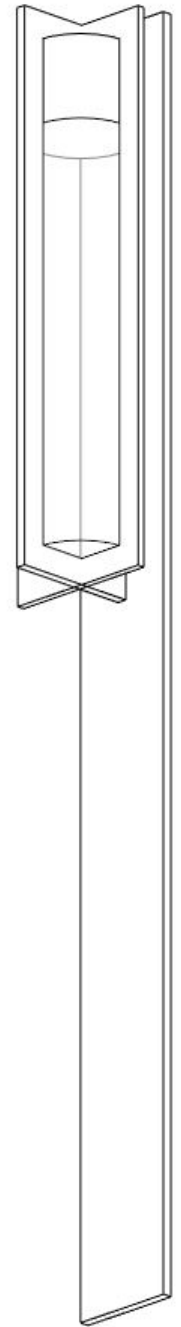
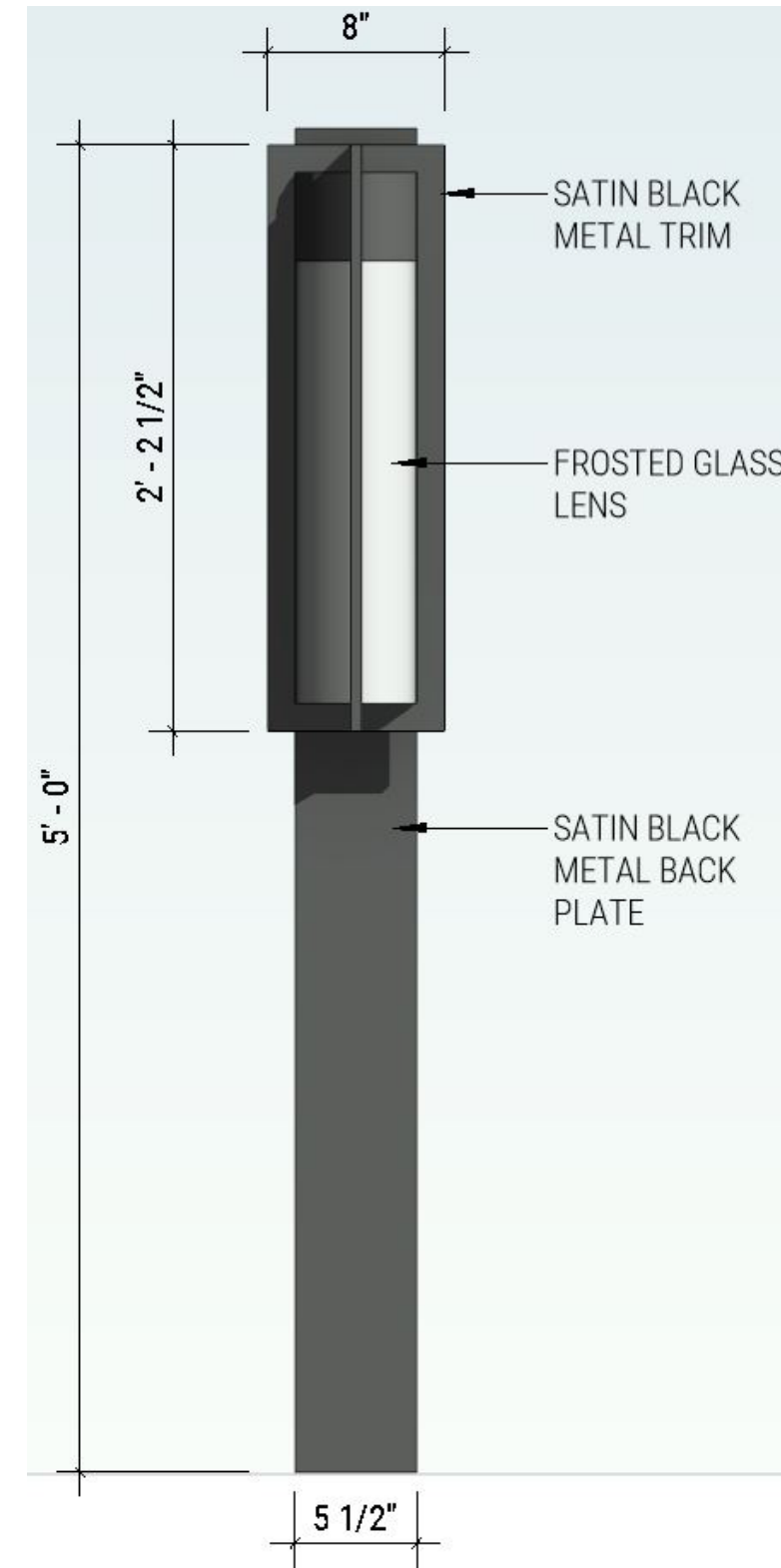
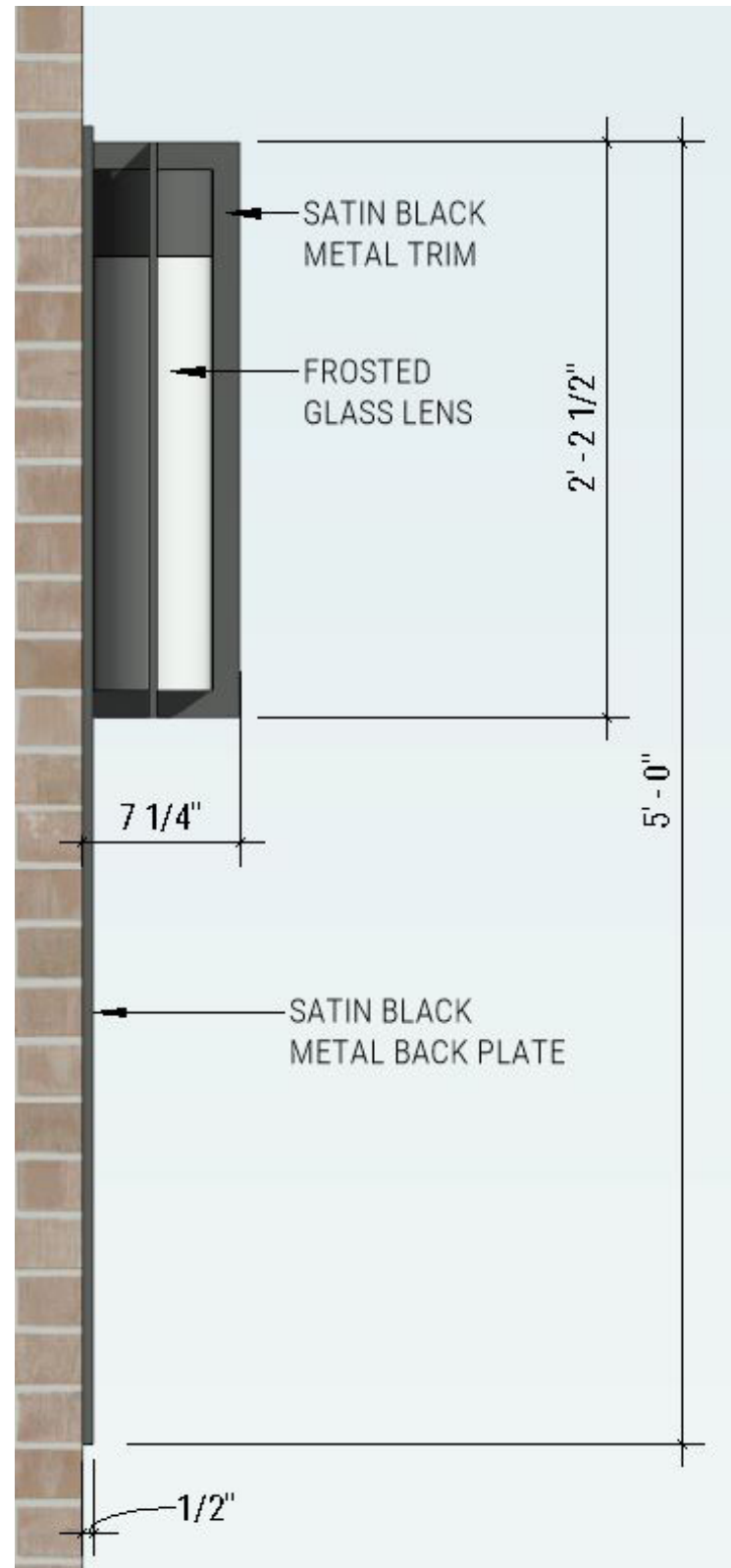
© 2017 HACIN ARCHITECTS LLC ALL RIGHTS RESERVED.





ENTRY SCONCE:

- CUSTOM FIXTURE
- BLACK SATIN FINISH
- RIBBED FROSTED GLASS SHADE
- 2700K LED
- 60" HEIGHT



EXTERIOR LIGHT FIXTURES



VIEW FROM MBTA STATION

JOHN JEFFRIES HOTEL | BHAC HEARING | 2017.12.21 | PG 12

© 2017 HACIN ARCHITECTS LLC ALL RIGHTS RESERVED.

