

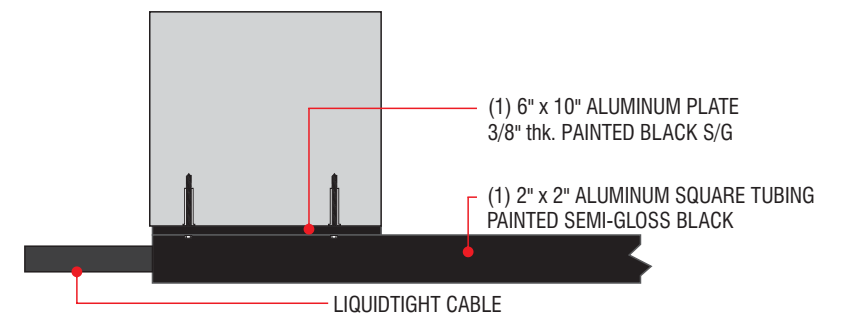
A STOREFRONT ELEVATION

Scale: 3/8" = 1' - 0"



SIMILAR BLADE NEARBY. SAME INSTALLATION

INSTALLATION HEIGHT TO BE SAME AS NEARBY SIGNS.



INSTALLATION BRACKET - TOP VIEW



**PRELIMINARY
FINAL**

CLIENT APPROVAL	
Signature	
Name	

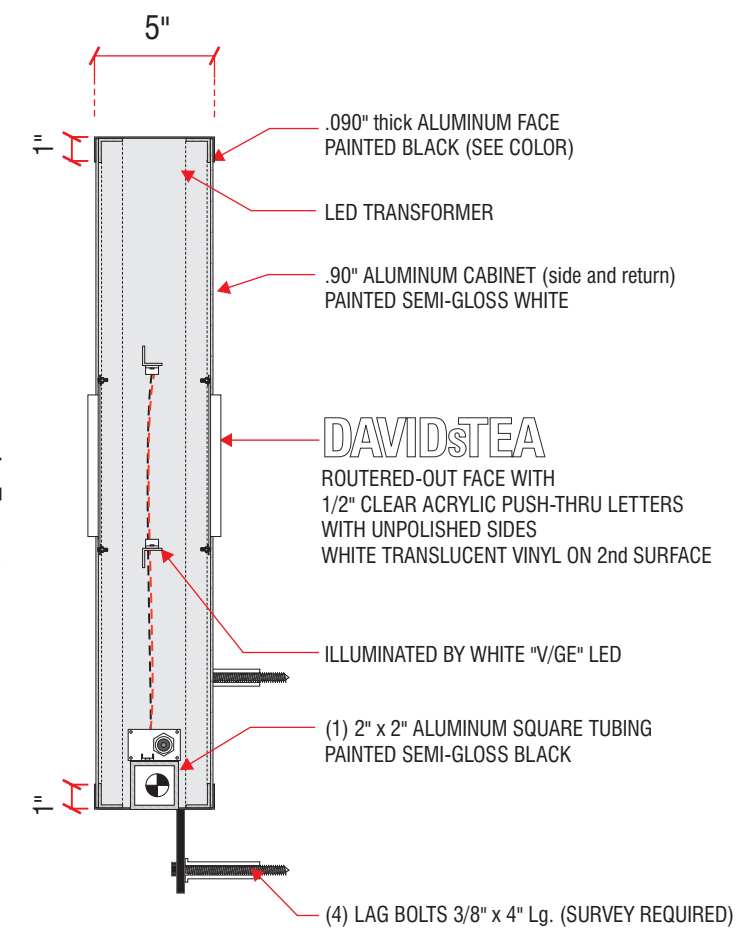
Revisions	Date
Background Painted White (PC)	2017-08-07



LIQUIDTIGHT CONDUCT FOR MAIN BX.
(SEE DETAIL ON PAGE 3)



(1) 6" x 10" ALUMINUM PLATE
PAINTED SEMI-GLOSS BLACK



CROSS SECTION Scale: 1 1/2" = 1' - 0"

A GRAPHIC ELEVATION

1X

Scale: 1 1/2" = 1' - 0"

(1) DOUBLE-FACE ILLUMINATED PUSH-THRU BLADE SIGN

NOT FOR PRODUCTION

SURVEY REQUIRED FOR PRODUCTION

COLORS

- P1 PAINTED WHITE S/G FINISH
- P2 PAINTED BLACK S/G FINISH

WARNING

BLOCKING BY G.C.
HARDWARE BY INSTALLER

Voltage 120V

AREA (EACH) 7.38 sf / 0.68 m²

SIGN LOCATION INTERIOR EXTERIOR

ACCESS
Your Sign Department
www.accessigns.com
2351 Boul. Fernand-Lafontaine, Longueuil, Qc J4N 1N7
tel: 450.674.3333 / 888.655.6866 / fax: 450.674.4098

This artwork is protected by copyright.
All rights reserved by Access Signs Inc.
11242_DT17_Boston_Blade_02
 PRELIMINARY
 FINAL

CLIENT APPROVAL

Signature _____
Name _____

Revisions	Date
Background Painted White (PC)	2017-08-07

DAVIDsTEA
298 Washington Street
Boston, MA 02166
Date: 30-03-2017
Drawing by: JF Mailhot Acc. Rep.: T. Derkson UL: #E183093 Project: #11242 Page: 2/3



NOT FOR PRODUCTION

SURVEY REQUIRED FOR PRODUCTION

CLIENT APPROVAL	
Signature	_____
Name	_____

Revisions	Date
Background Painted White (PC)	2017-08-07