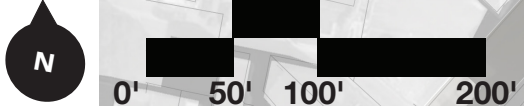
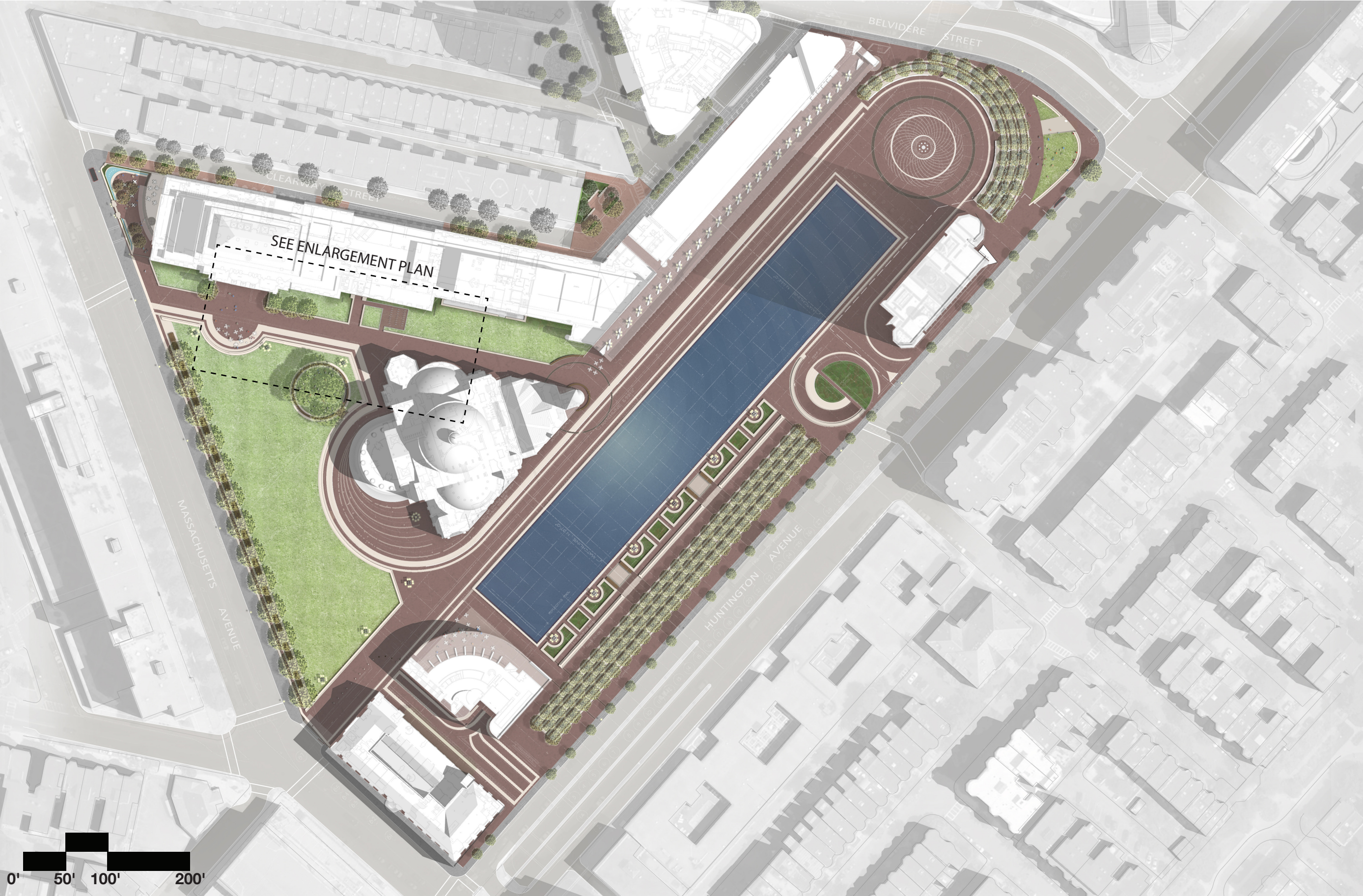
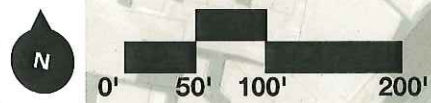
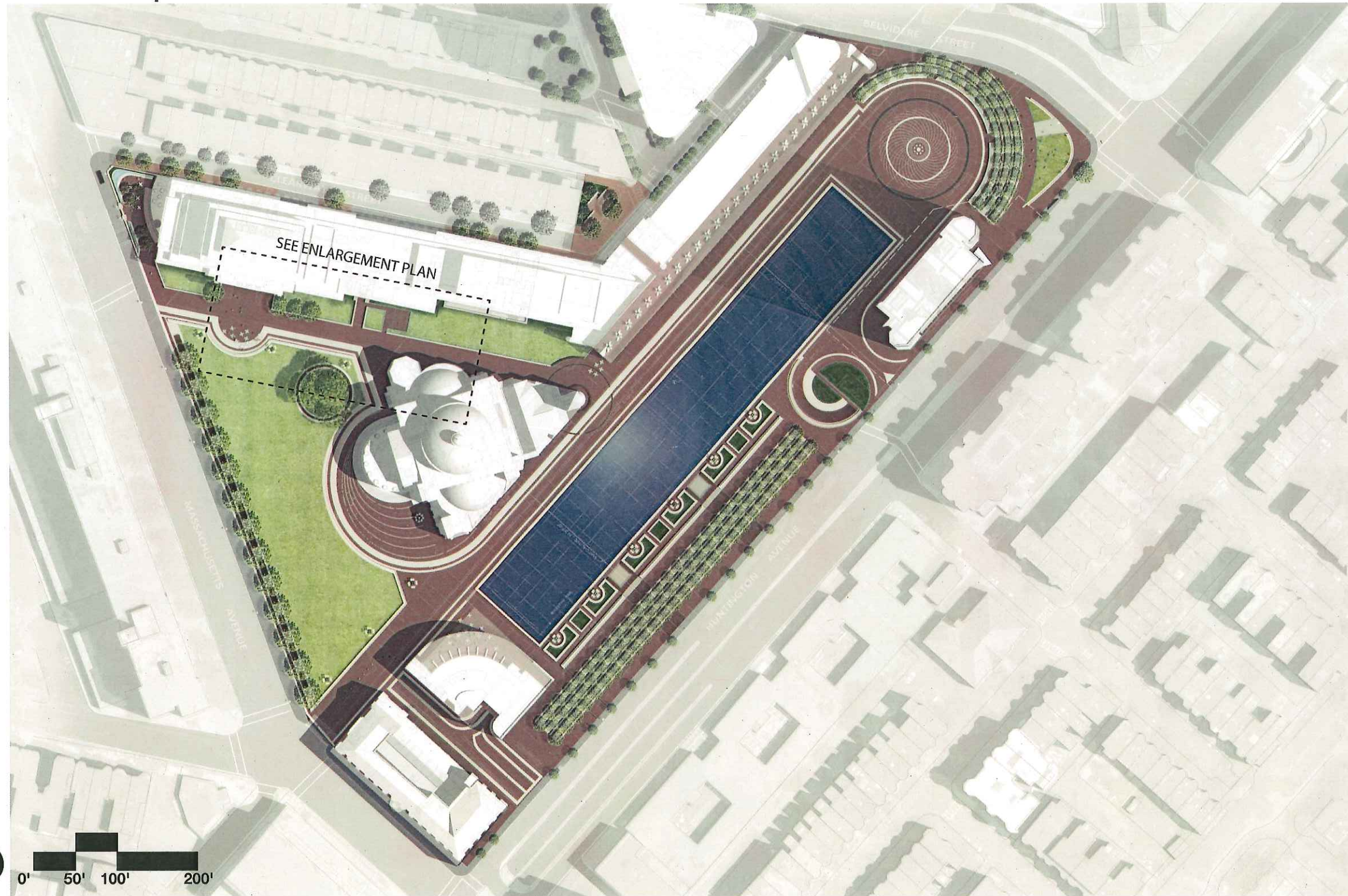


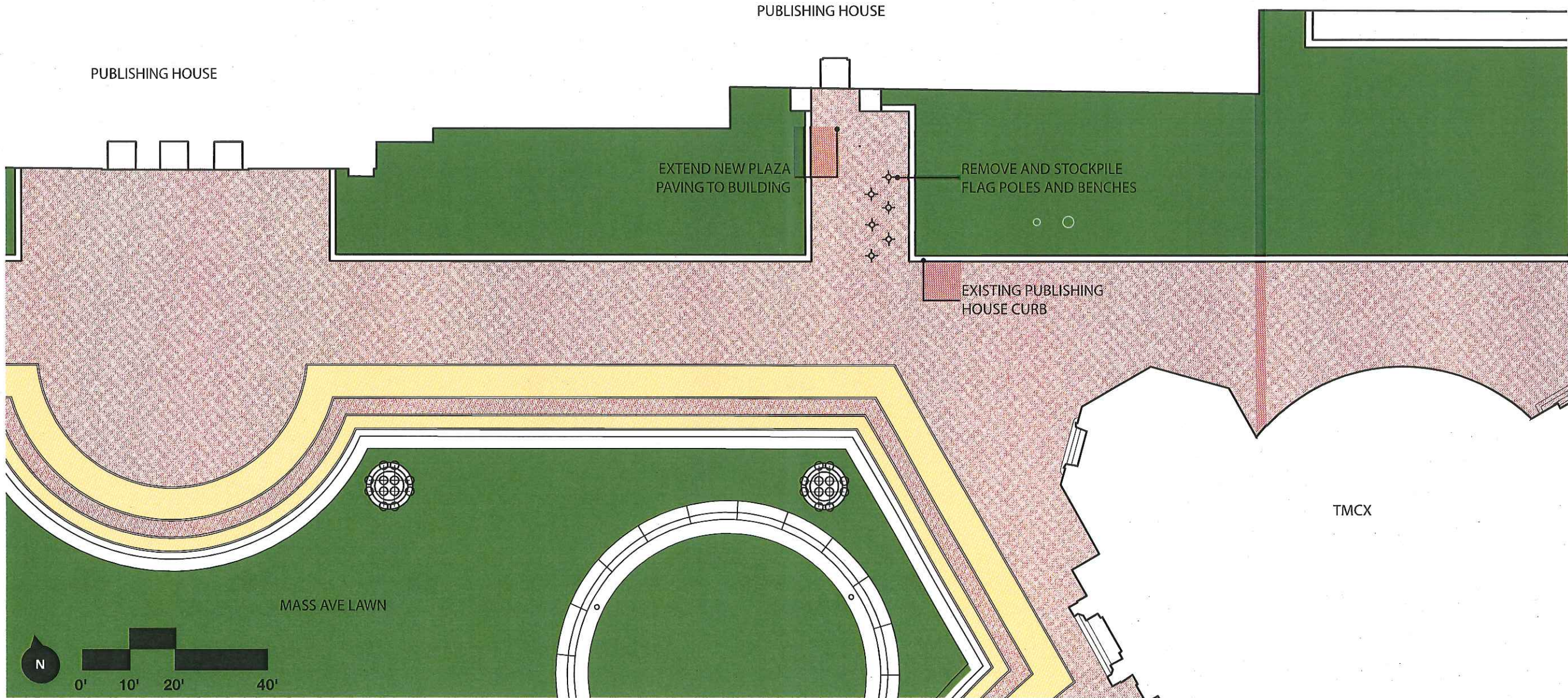
PUBLISHING HOUSE ENTRANCE  
BICYCLE PARKING | **RENDERED PLAN**



PUBLISHING HOUSE ENTRANCE  
BICYCLE PARKING | **RENDERED PLAN**



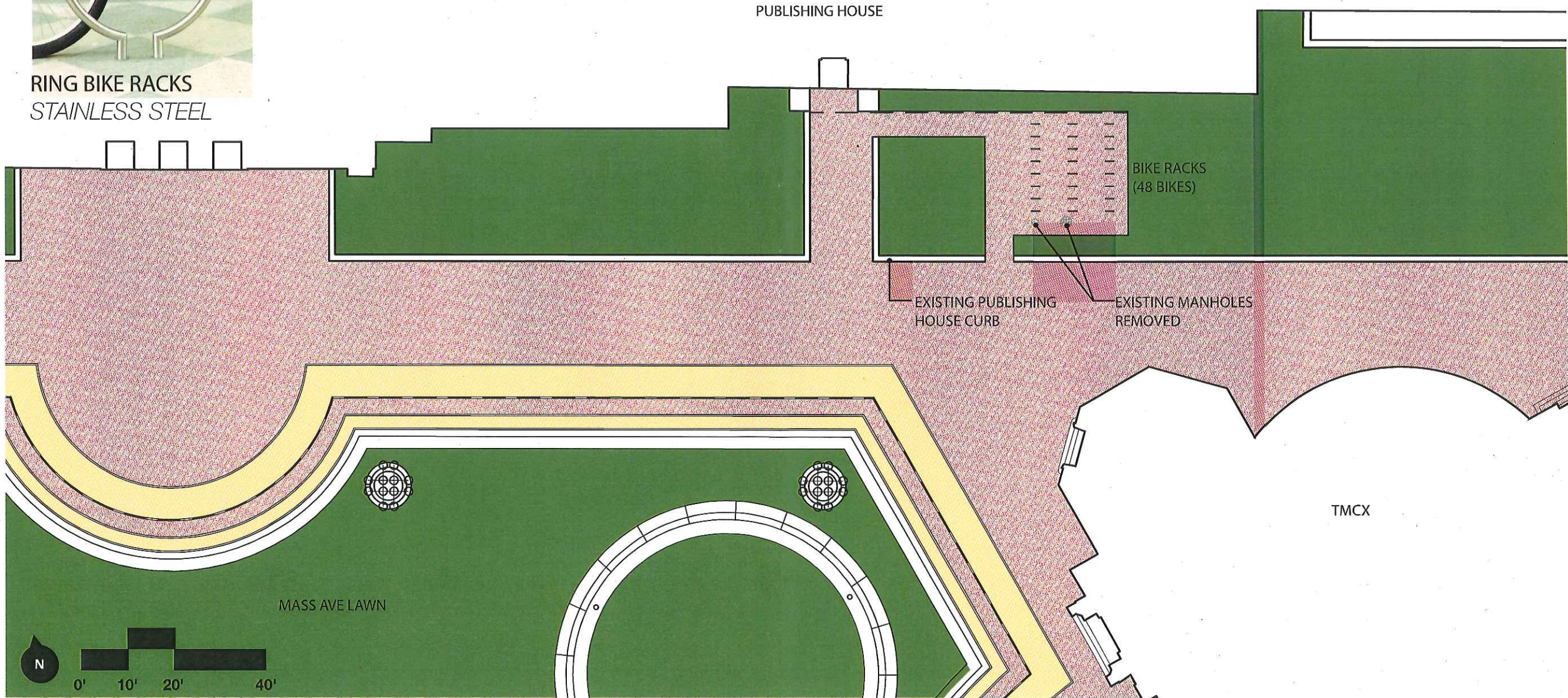
PUBLISHING HOUSE ENTRANCE  
BICYCLE PARKING | **PROPOSED (PREVIOUSLY APPROVED) ENLARGEMENT PLAN**



PUBLISHING HOUSE ENTRANCE  
BICYCLE PARKING | **UPDATED PROPOSED ENLARGEMENT PLAN**



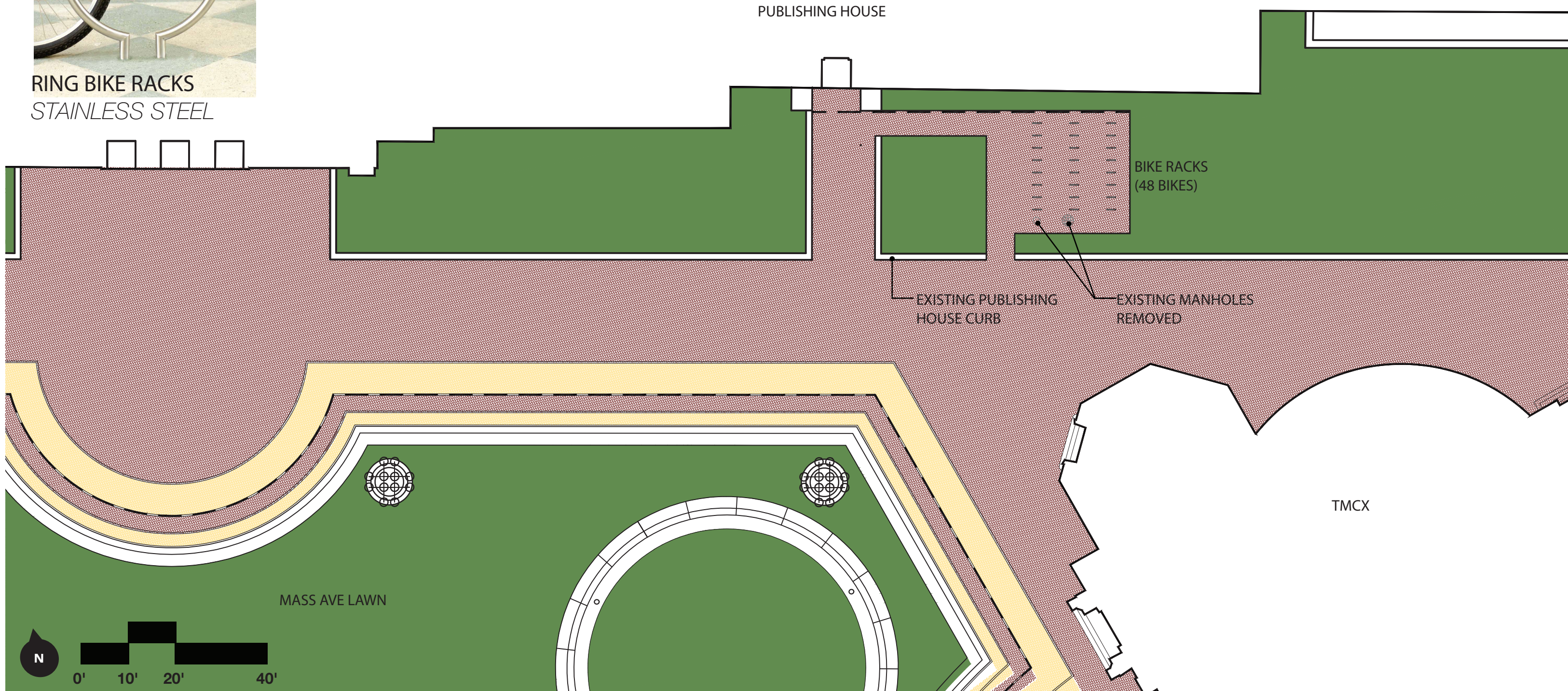
RING BIKE RACKS  
STAINLESS STEEL



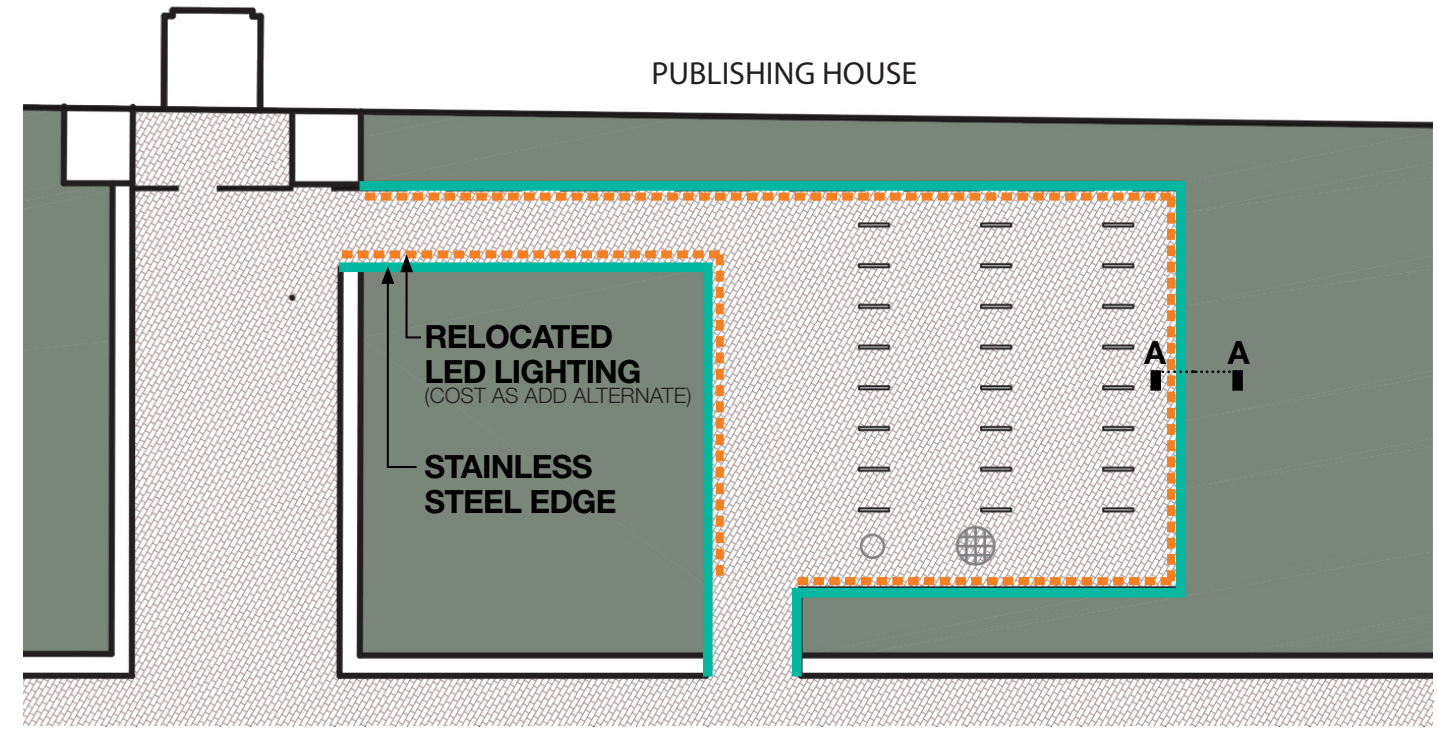
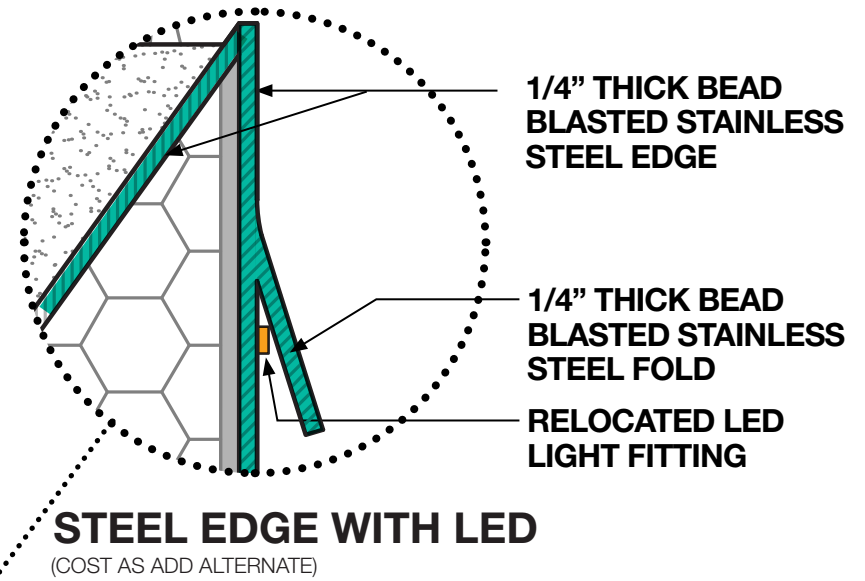
# PUBLISHING HOUSE ENTRANCE BICYCLE PARKING | ENLARGEMENT PLAN



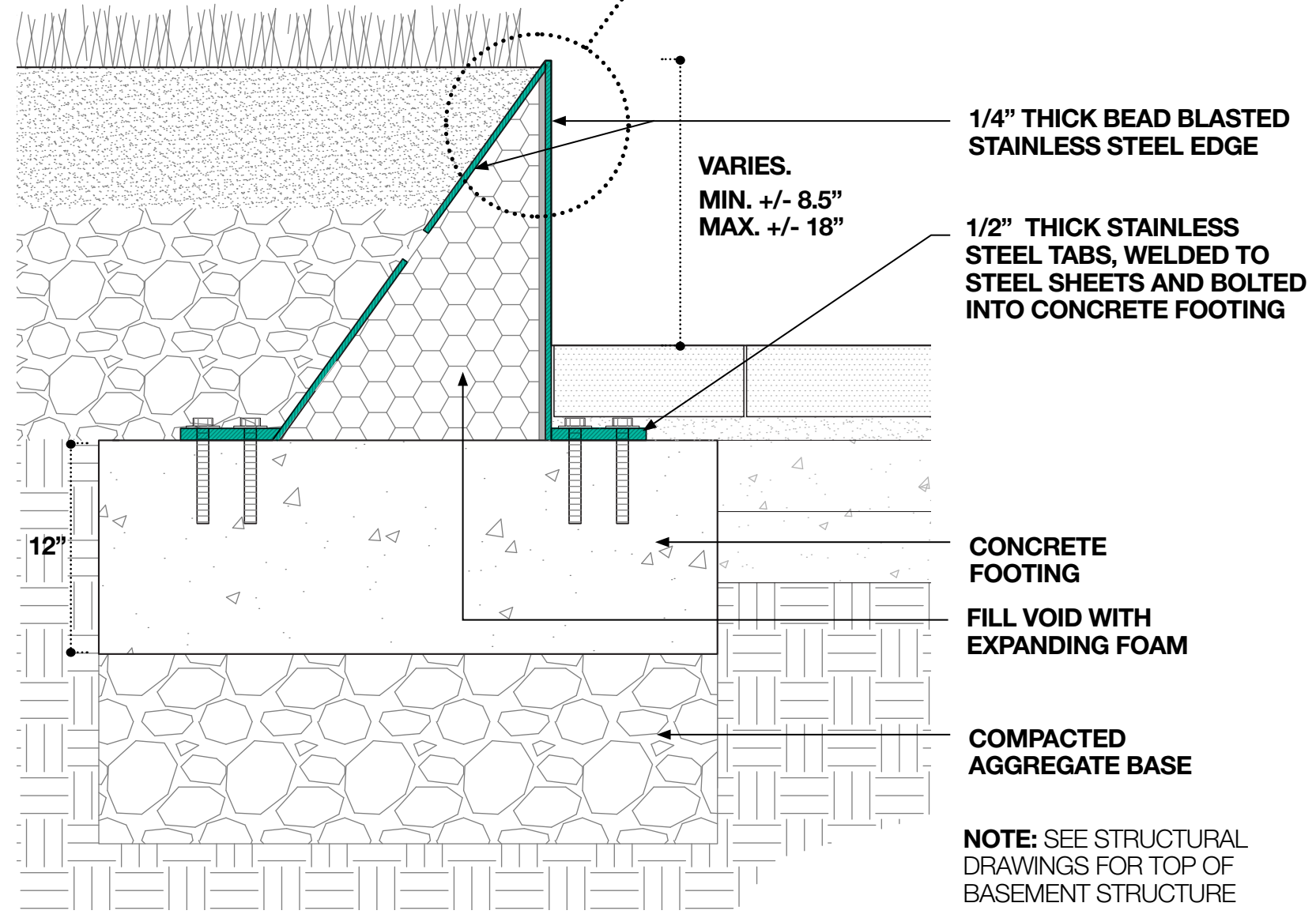
RING BIKE RACKS  
STAINLESS STEEL



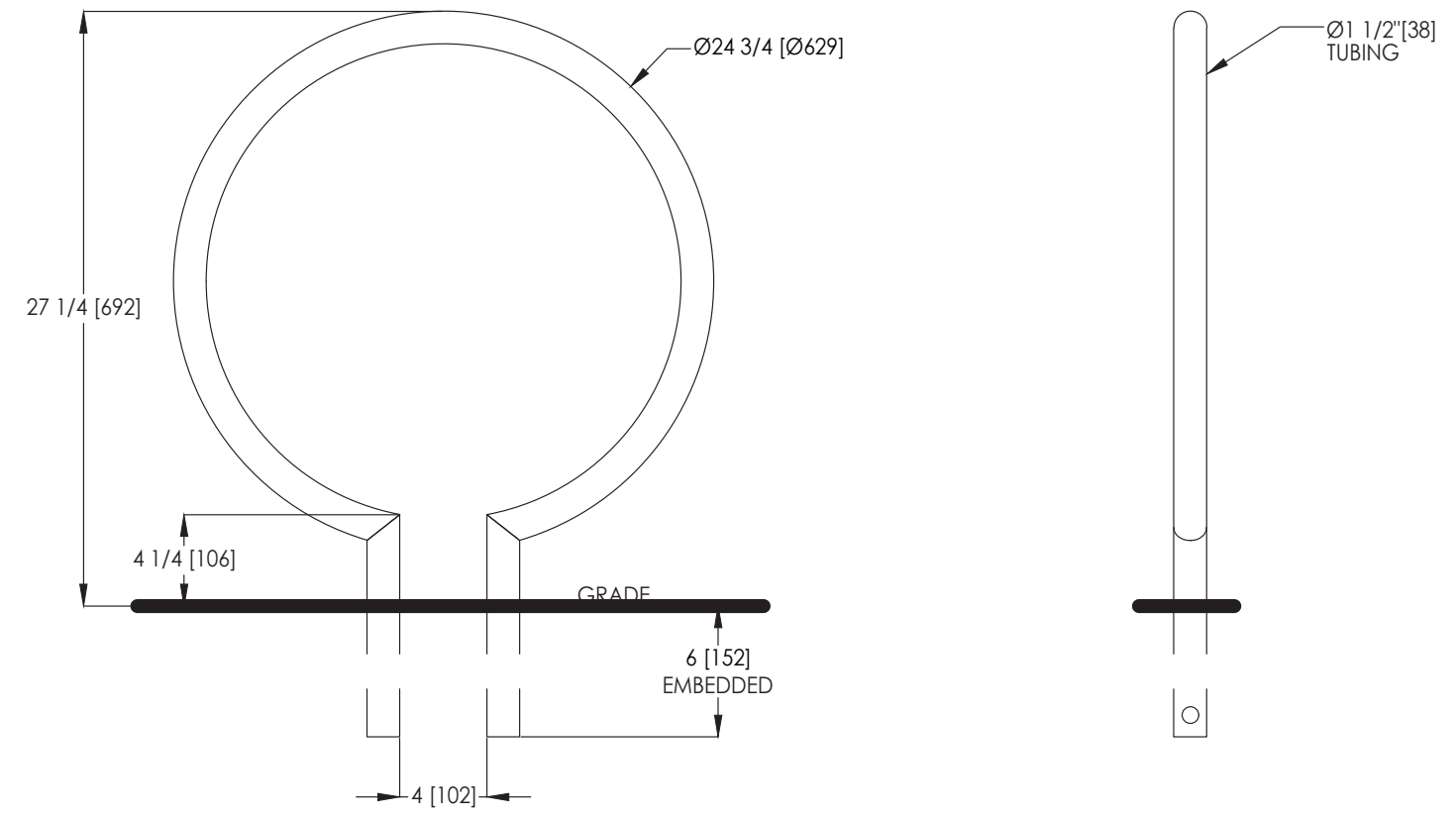
# PUBLISHING HOUSE ENTRANCE BICYCLE PARKING | DETAILS



**LOCATION PLAN**



**SECTION A-A**

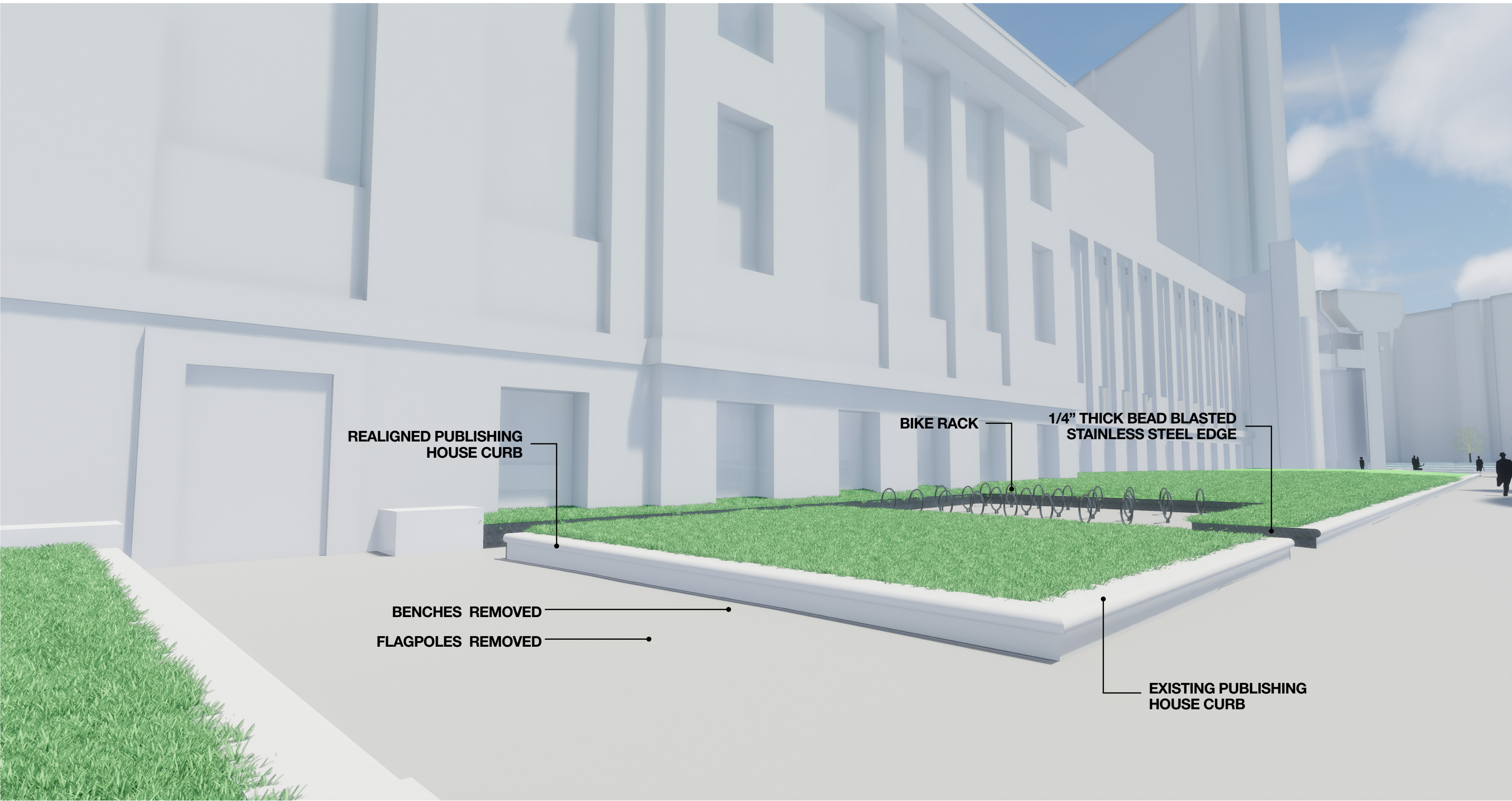


**BIKE RACK DETAIL**  
(DETAIL FROM LANDSCAPEFORMS.COM)

PUBLISHING HOUSE ENTRANCE  
BICYCLE PARKING | **EXISTING**



PUBLISHING HOUSE ENTRANCE  
BICYCLE PARKING | **PROPOSED**



REALIGNED PUBLISHING  
HOUSE CURB

BIKE RACK

1/4" THICK BEAD BLASTED  
STAINLESS STEEL EDGE

BENCHES REMOVED

FLAGPOLES REMOVED

EXISTING PUBLISHING  
HOUSE CURB