



Dugout Group Seating

EXISTING



DUGOUT *Group seating*

PROPOSED



Left + Field Seating

EXISTING

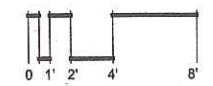
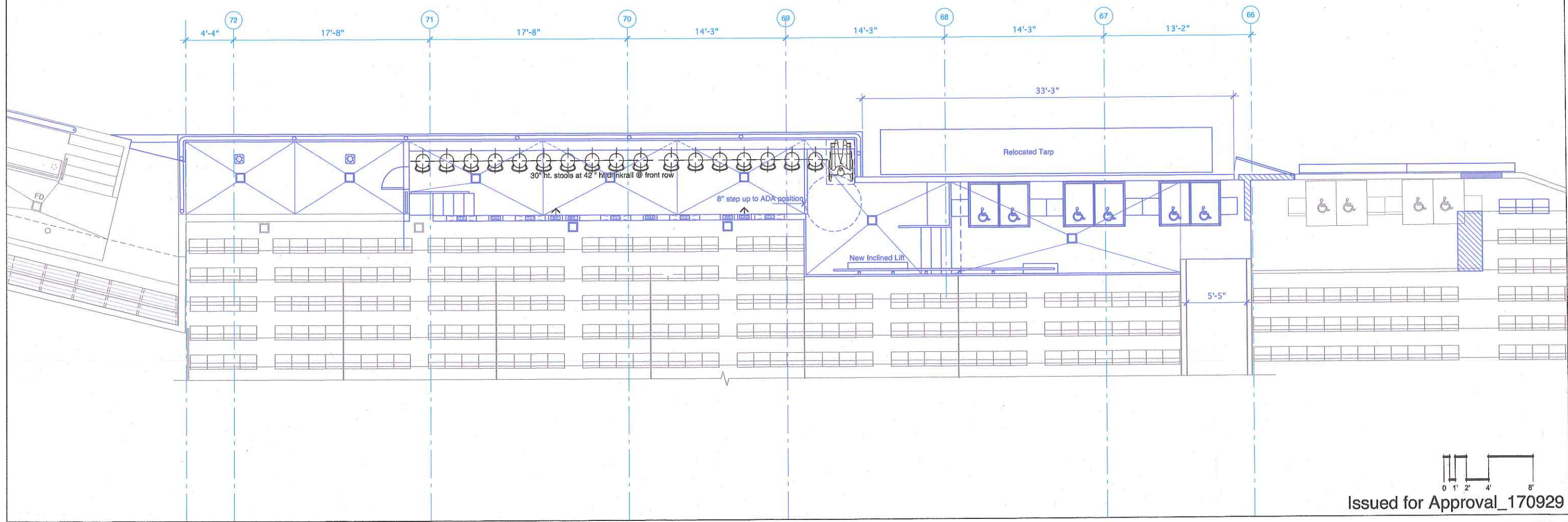


Left Field's eating

PROPOSED



Key Plan



Issued for Approval_170929



OWNER:
BOSTON RED SOX BASEBALL CLUB
1 SAVANTRY WAY
BOSTON, MA 02115

PROJECT ARCHITECT:
DAVID BROWN (P) DOWK ARCHITECTS, INC.
225 BRATTLE STREET
BOSTON, MA 02116

PROJECT ENGINEER:
MORIMARU BERTHA, INC.
100 FEDERAL STREET
BOSTON, MA 02110

MEP ENGINEER:
AKA CONSULTING ENGINEERS, INC.
25 HORTON AVENUE, 5TH FLOOR
LEXINGTON, MA 02421

LANDSCAPE ARCHITECT:
HOBBS ENGINEERS
107 LEICESTER STREET
NORWELL, MA 02061

**Dugout Group Seating
FENWAY PARK
2018 Improvements and Renovations**



SEAL:

PACKAGE:

NO.	DATE	DESCRIPTION

DS
Dugout Seating

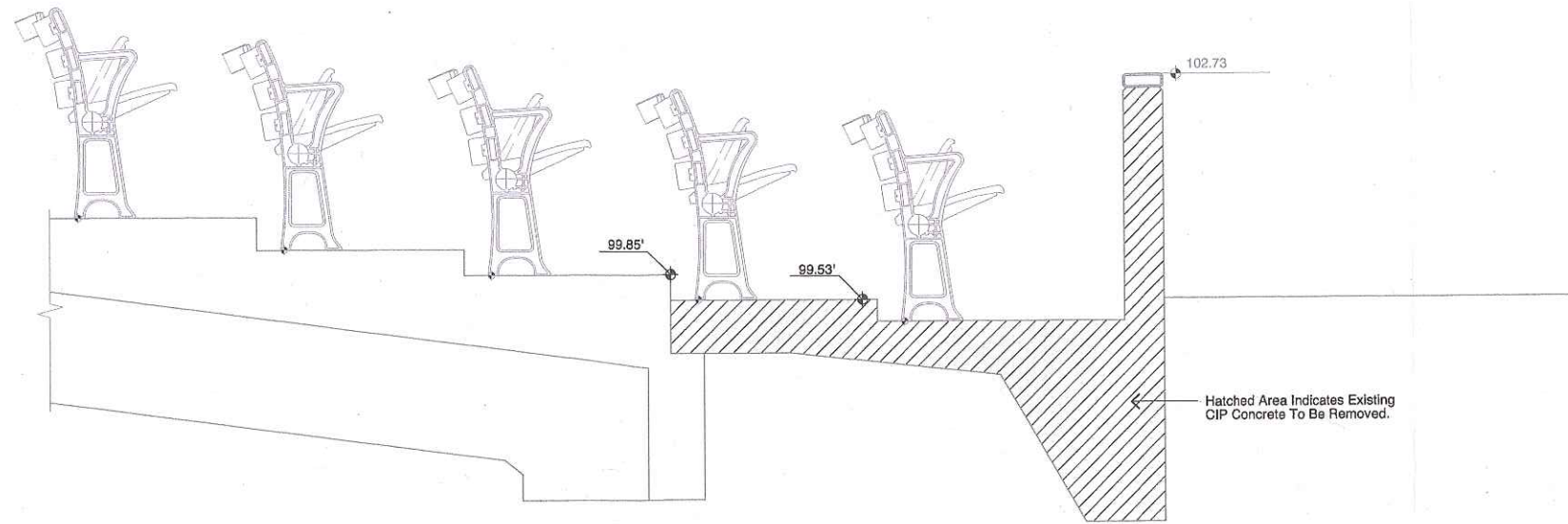
DAIG PROJECT #: 0202.288
DRAWING TITLE:

SCALE: 1/4" = 1'-0"
SHEET #:

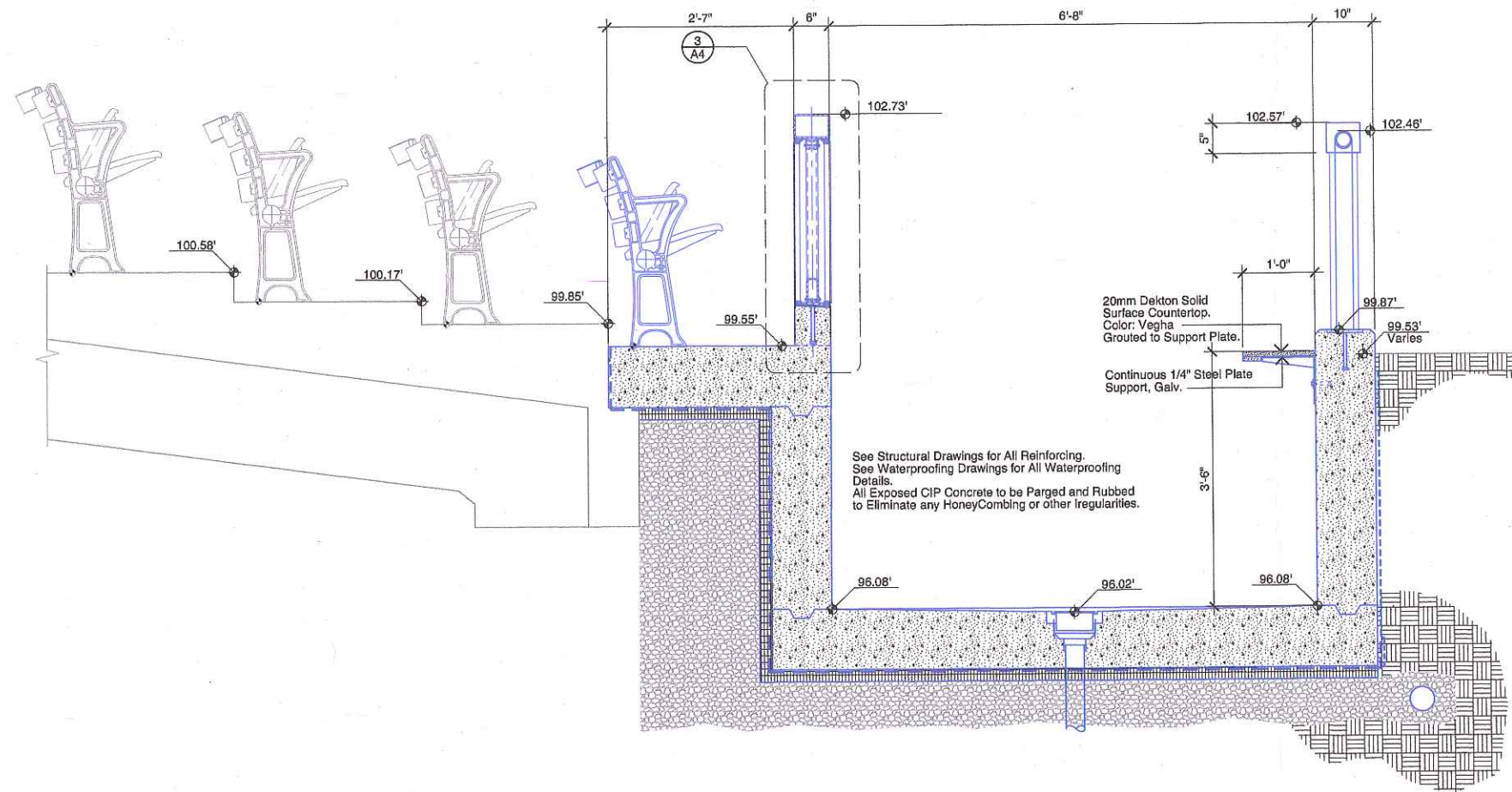
DATE: MARCH 4, 2013



FENWAY PARK
2018 Improvements and Renovations



1 Demolition Section @ Dugout Suite
Scale: 1" = 1'-0"



2 Proposed Section @ Dugout Suite
Scale: 1" = 1'-0"

OWNER: FENWAY RED SOX BASEBALL CLUB
100 FENWAY
BOSTON, MA 02115
ARCHITECT: PETER D'AMICO ARCHITECTS, INC.
110 ESCORTWAY
BOSTON, MA 02114
STRUCTURAL ENGINEER: WATKINS & WATKINS, INC.
200 CENTRAL STREET
BOSTON, MA 02111
MECHANICAL ENGINEER: J&J ENGINEERING, INC.
22 HANCOCK AVENUE, SUITE 100
BOSTON, MA 02111
ELECTRICAL ENGINEER: L&L DESIGN GROUP
100 WASHINGTON ST., 2ND FLOOR
BOSTON, MA 02111
CIVIL ENGINEER: GREEN INTERNATIONAL APPLICATOR, INC.
100 WASHINGTON ST., 2ND FLOOR
BOSTON, MA 02111
GENERAL CONTRACTOR: W&B JANNEY ELLIOTT ASSOCIATES, INC.
211 SUMMIT STREET, SUITE 200
BOSTON, MA 02110



SEAL:

DS
Dugout Seating

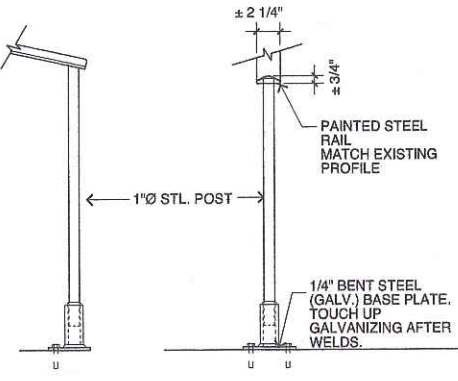
REVISIONS:

NO.	DESCRIPTION	DATE

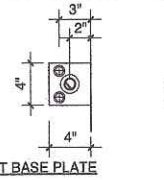
DAID PROJECT #: 0202.288
DRAWING TITLE:
Dugout Seating
Building Section

SCALE: As Noted.
SHEET #:
DS A2
DATE: August 31, 2017

Issued for Approval_170929
01'-3" 6" 1' 2'

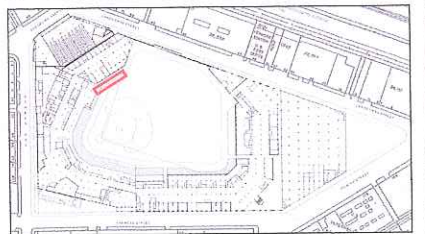


SECTION AT BASE PLATE

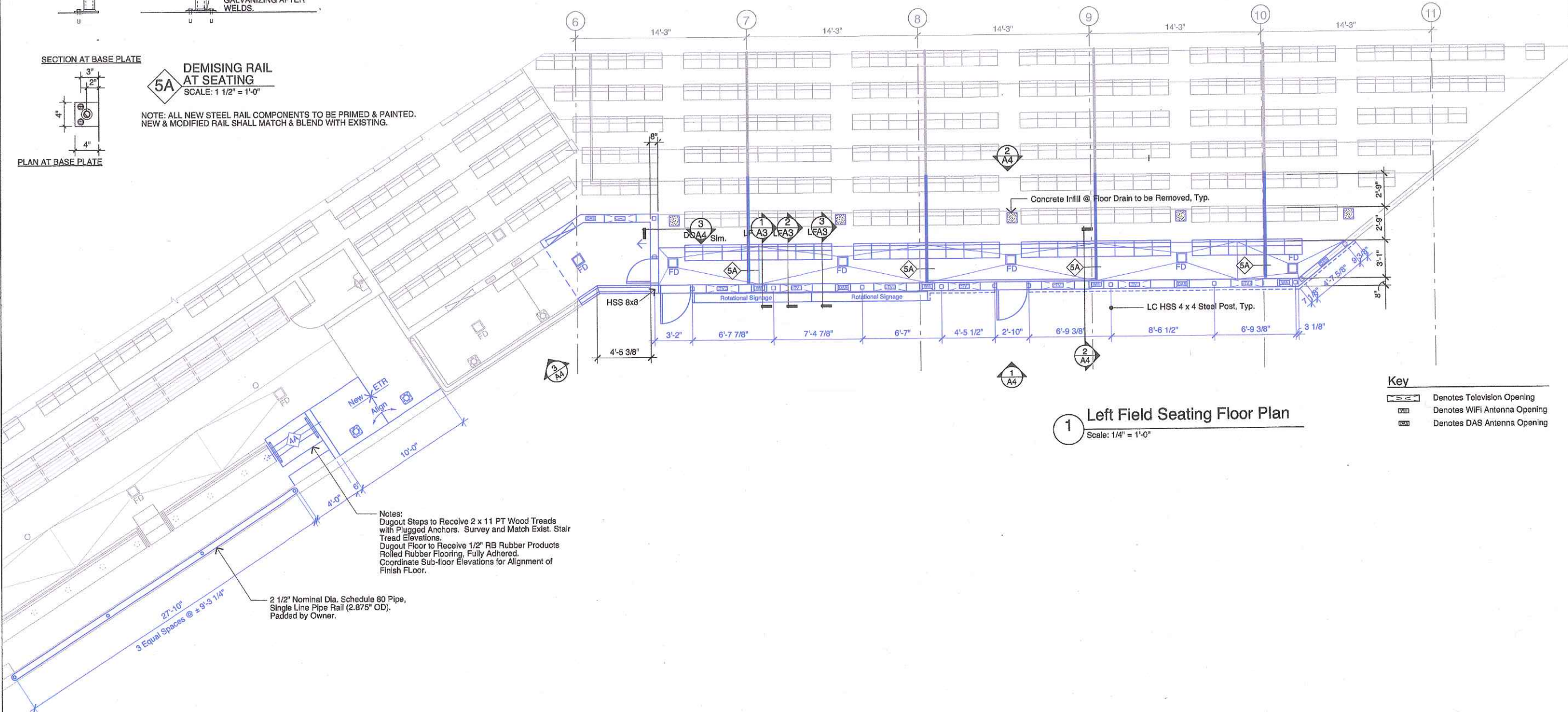


5A DEMISING RAIL AT SEATING
SCALE: 1 1/2" = 1'-0"

NOTE: ALL NEW STEEL RAIL COMPONENTS TO BE PRIMED & PAINTED. NEW & MODIFIED RAIL SHALL MATCH & BLEND WITH EXISTING.



KEY PLAN



1 Left Field Seating Floor Plan
Scale: 1/4" = 1'-0"

Key

- Denotes Television Opening
- Denotes WiFi Antenna Opening
- Denotes DAS Antenna Opening

Notes:
Dugout Steps to Receive 2 x 11 PT Wood Treads with Plugged Anchors. Survey and Match Exist. Stair Tread Elevations.
Dugout Floor to Receive 1/2" RB Rubber Products Rolled Rubber Flooring, Fully Adhered.
Coordinate Sub-floor Elevations for Alignment of Finish Floor.

2 1/2" Nominal Dia. Schedule 60 Pipe, Single Line Pipe Rail (2.875" OD), Padded by Owner.

27'-10"
3 Equal Spaces @ ±9'-3 1/4"

FENWAY PARK
2018 Improvements and Renovations

OWNER: BOSTON RED SOX BASEBALL CLUB
ARCHITECT: HOK ARCHITECTS, INC.
STRUCTURAL ENGINEER: HOK STRUCTURAL ENGINEERS, INC.
MECHANICAL ENGINEER: HOK MECHANICAL ENGINEERS, INC.
ELECTRICAL ENGINEER: HOK ELECTRICAL ENGINEERS, INC.
PLUMBING ENGINEER: HOK PLUMBING ENGINEERS, INC.
CONSTRUCTION MANAGER: HOK CONSTRUCTION MANAGEMENT, INC.



SEAL:

LF
Left Field Seating

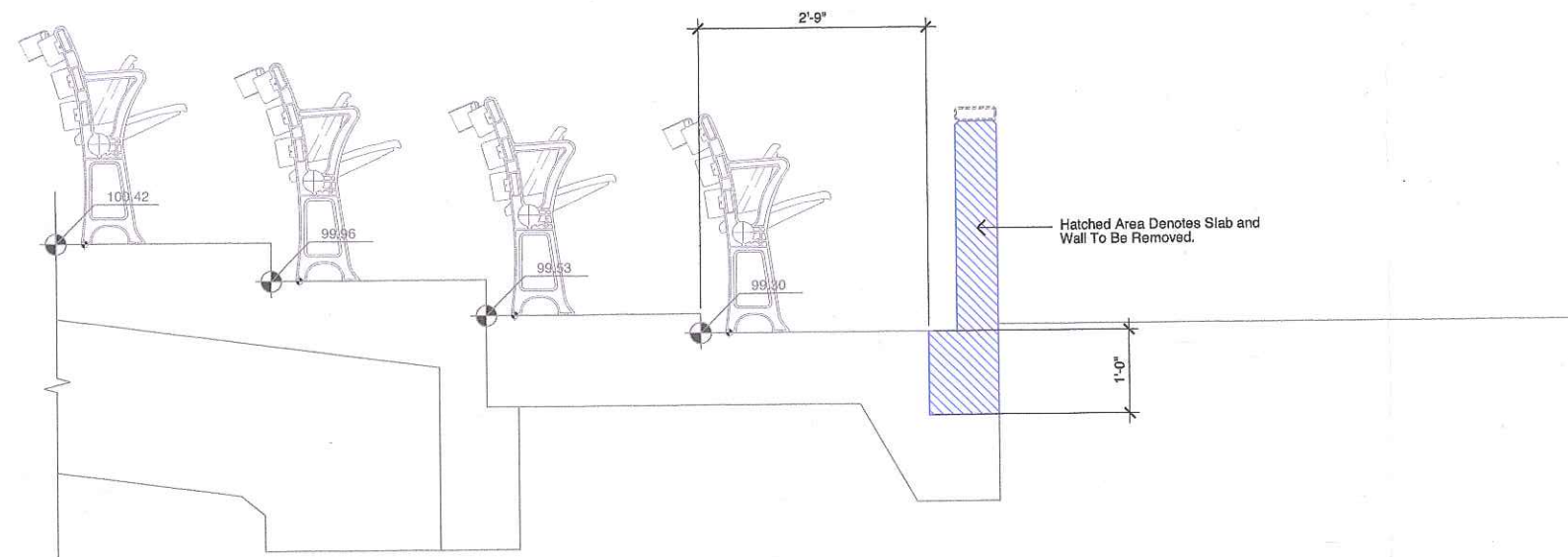
REVISIONS:

DAIQ PROJECT #: 0202.294
DRAWING TITLE:
LF Seating Floor Plan
SCALE: As Noted.
SHEET #:
LF A1
DATE: August 31, 2017

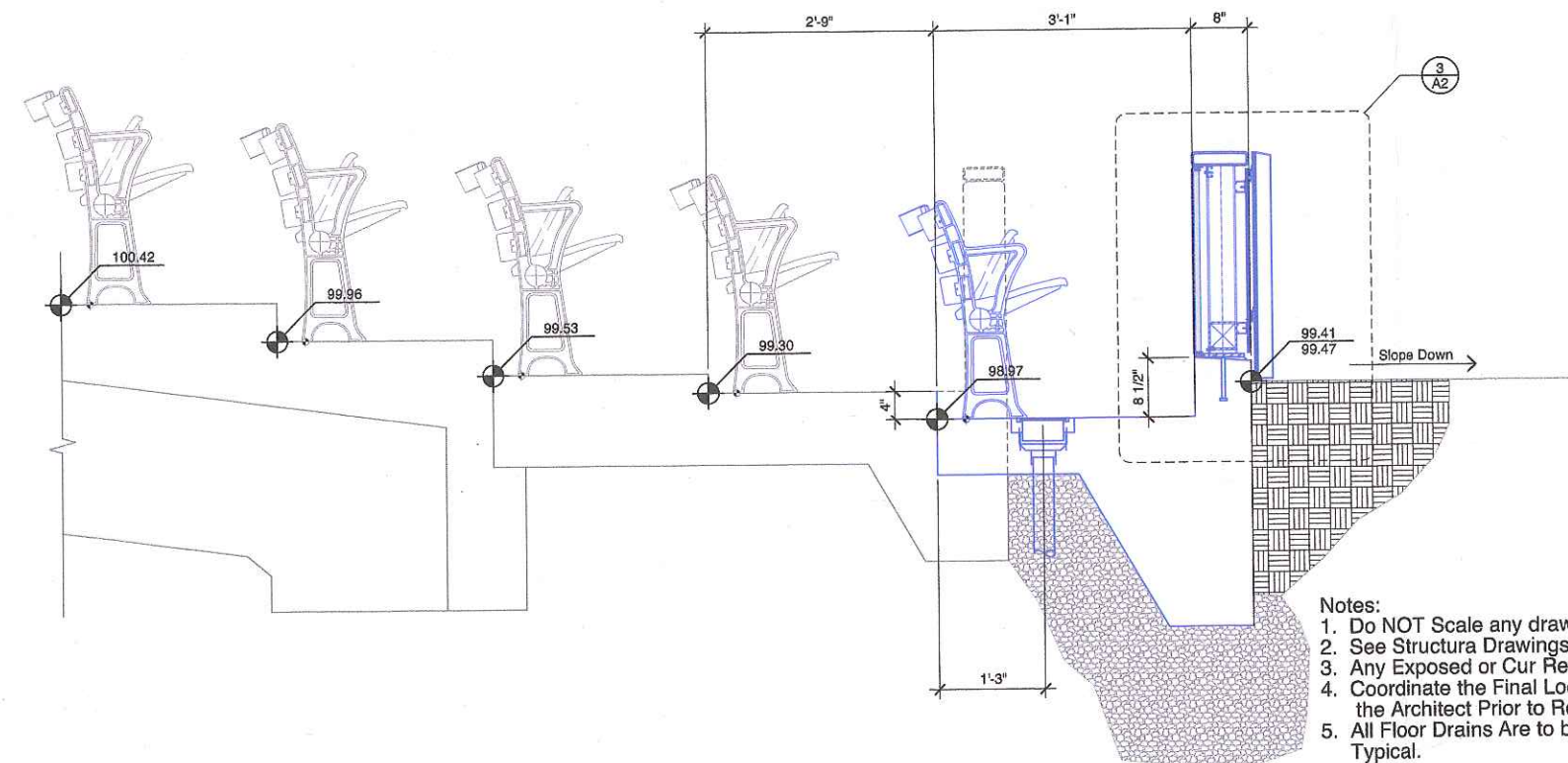
Issued for Approval_170929



FENWAY PARK
2018 Improvements and Renovations



1 Left Field Seating Demolition Section
Scale: 1" = 1'-0"



- Notes:
1. Do NOT Scale any drawings, EVER.
 2. See Structural Drawings for All Reinforcement Details.
 3. Any Exposed or Cur Re-bar to be Treated with ZRC.
 4. Coordinate the Final Location of ALL Floor Drains with the Architect Prior to Rough-In.
 5. All Floor Drains Are to be Located in the Middle of Aisles, Typical.

2 Left Field Seating Building Section
Scale: 1" = 1'-0"

Client: BOSTON RED SOX BASEBALL CLUB
 1 FANNEY WALK
 BOSTON, MA 02115

Project Architect: BUCKLE UP! CIVIL ARCHITECTS, INC.
 1010 BRICKWAY
 BOSTONVILLE, MA 02124

Structural Engineer: HANNAH TAYLOR, INC.
 100 FEDERAL STREET
 BOSTON, MA 02109

MEP Engineer: HSA CONSULTING ENGINEERS, INC.
 24 HANCOCK AVENUE, SUITE 1000
 BOSTON, MA 02109

Life Safety Consultant: HOWE ENGINEERS
 100 STATE STREET
 BOSTON, MA 02109

Civil Engineer: GREEN INTERNATIONAL AFFILIATES, INC.
 100 STATE STREET, SUITE 1000
 WETSFORD, MA 01095

Contractor: WEEA-JANEY ELETNER ASSOCIATES, INC.
 111 BANNER STREET, SUITE 200
 BOSTON, MA 02108



SEAL:

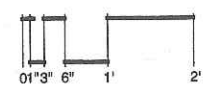
LF
Left Field Seating

REVISIONS:

DAIQ PROJECT #: 0202.294
 DRAWING TITLE:
 LF Seating
 Building Section

SCALE: As Noted.
 SHEET #:
LF A2

DATE: August 31, 2017



Issued for Approval 170929