

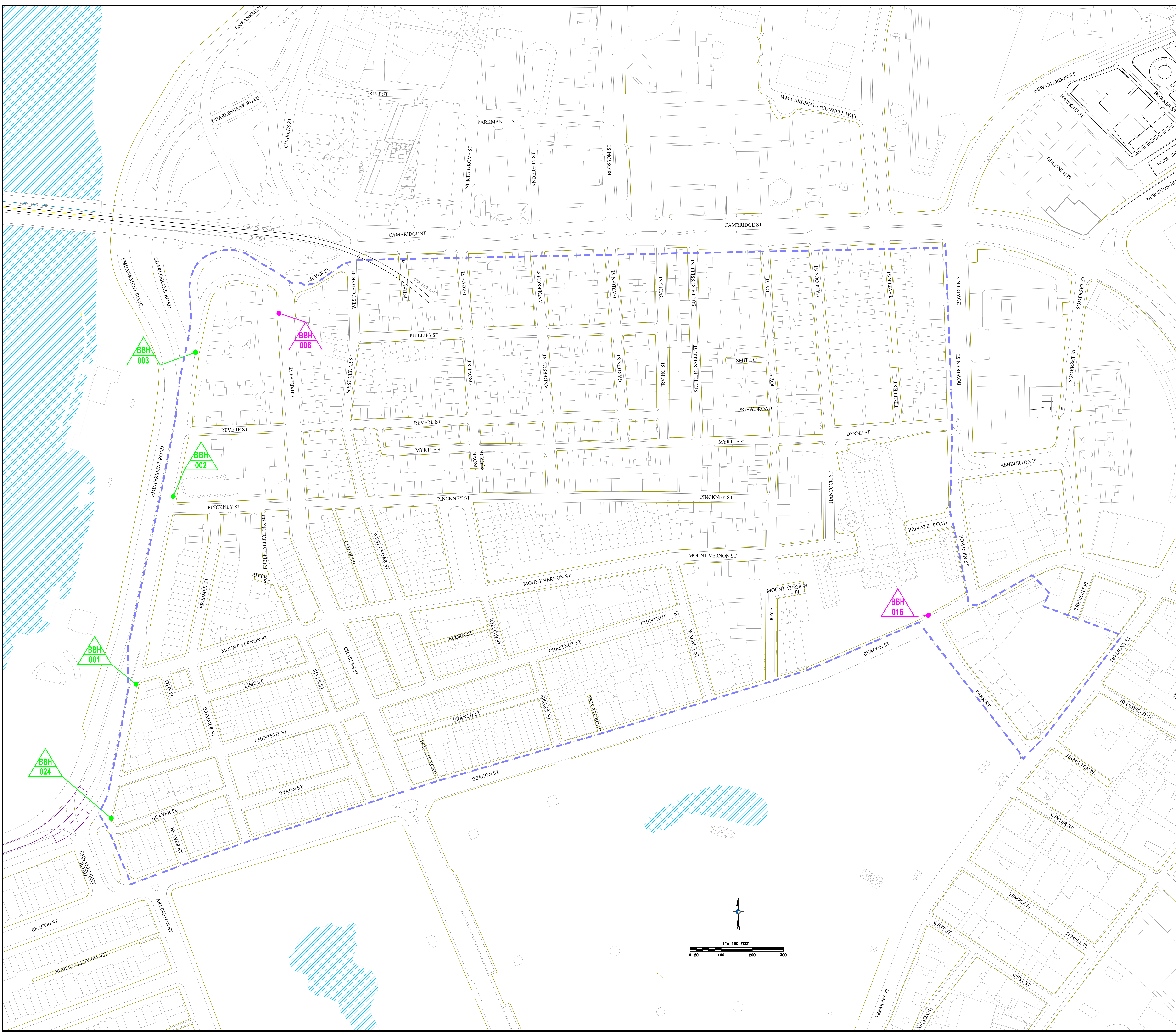


- LEGEND:
-  PROPOSED NODE SITE - STREET LIGHT (6)
 -  PROPOSED NODE SITE - DCR STREET LIGHT (4)



NOTES:

PREPARED FOR:



PREPARED BY:



UC SYNERGETIC
 Innovative Thinking. Engineered Solutions.
 21 OXFORD RD
 MANSFIELD, MA 02048
 www.ucseeng.com 1-508-337-7600

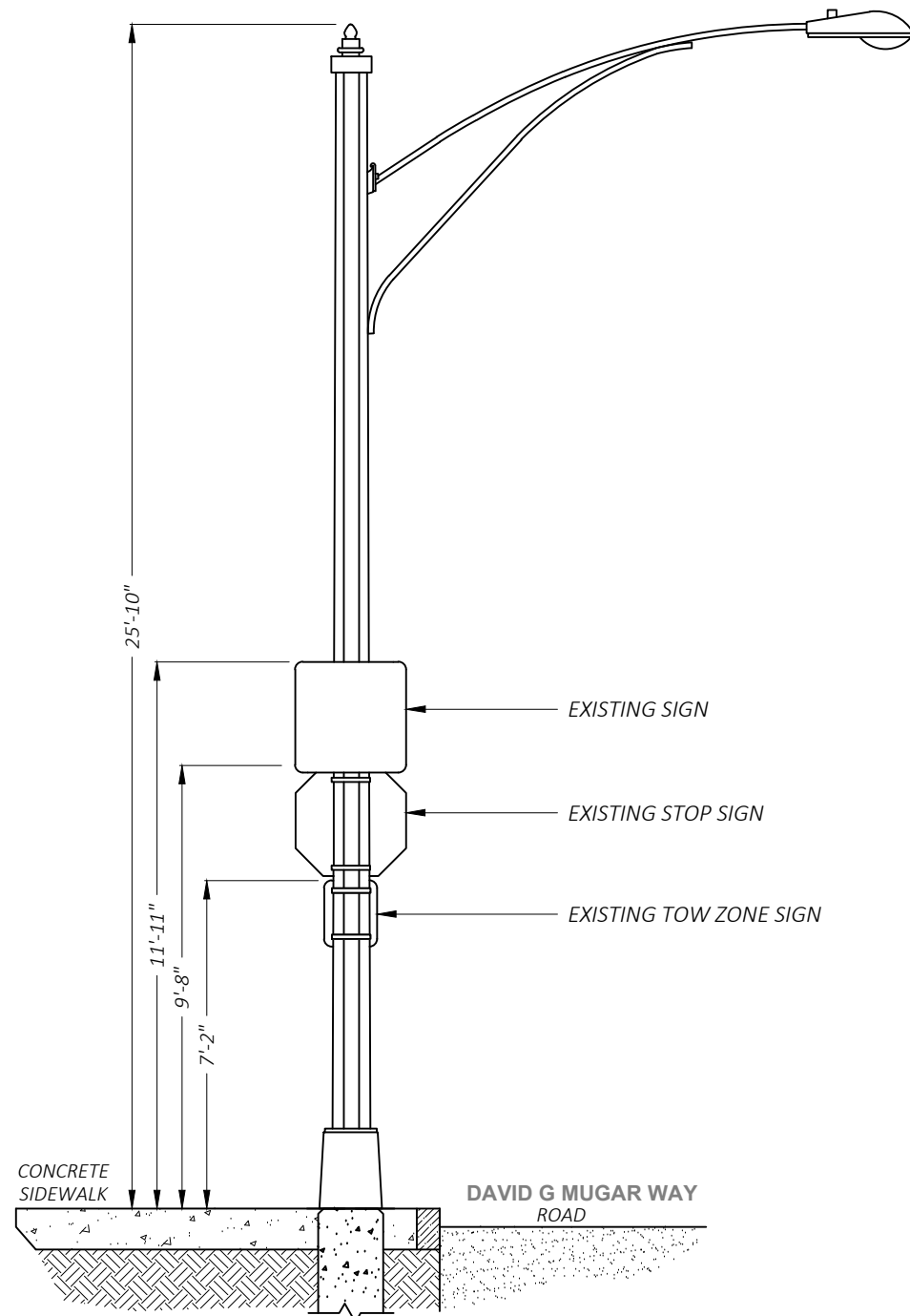
JOB:
**PROPOSED NODE SITES
 WEST (BEACON HILL) POLYGON
 VERIZON WIRELESS**

REV	DESCRIPTION	DATE
01	UPDATED NODE LOCATIONS/TYPES	10/20/15
02	FINAL MAP AFTER VERIZON REVIEW	10/26/15
03	UPDATE NODE LOCATIONS PER TRAFFIC REVIEW	10/05/16
04	CITY OF BOSTON MAP	01/19/17

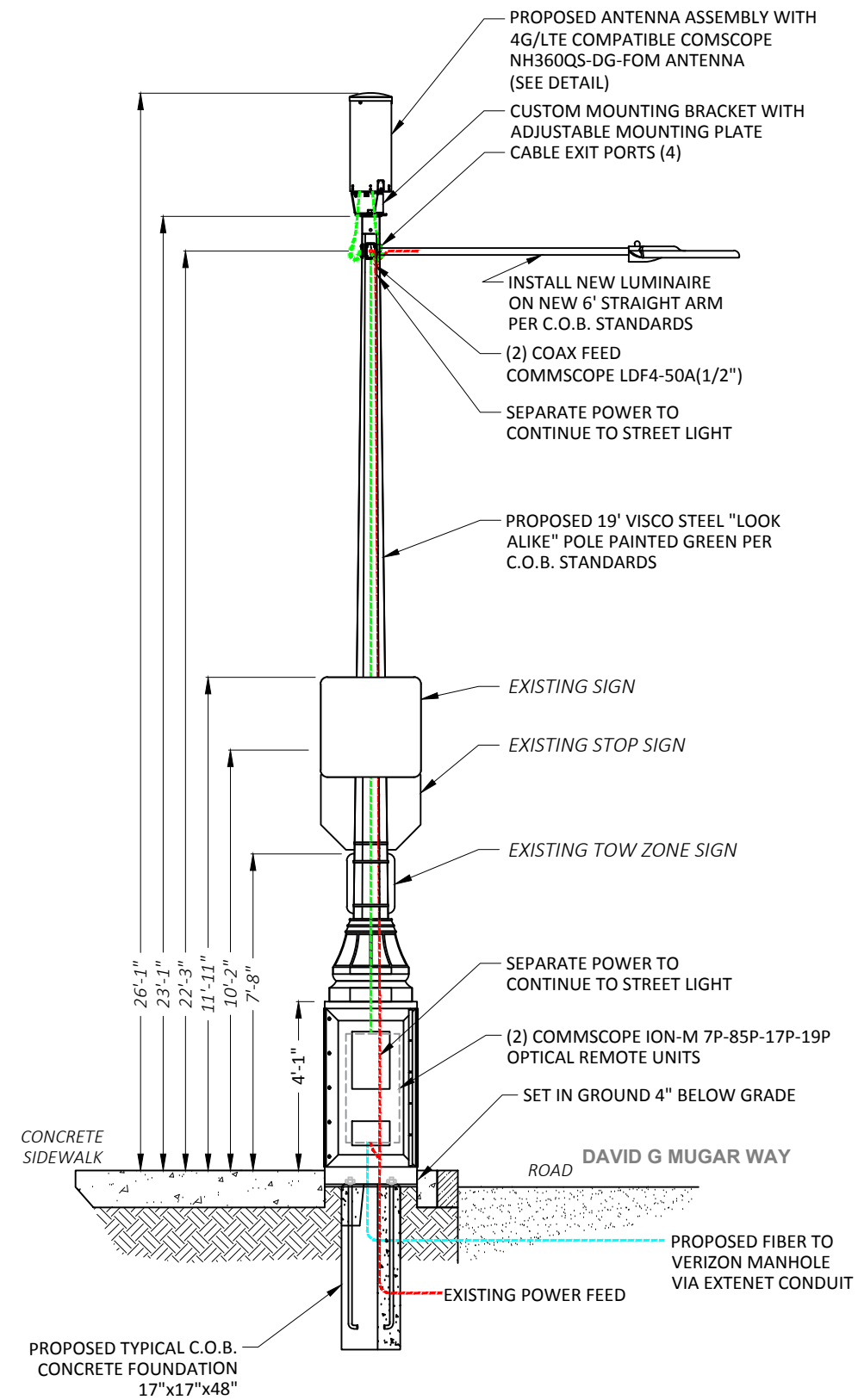
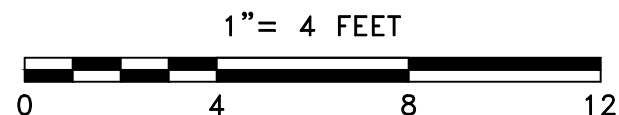
DRAFTER:	ANV
ENGINEER:	UCS
SCALE:	N.T.S.
DRAWING NAME:	OV MAP - BOSTON POLYGONS (BDT-BBH-BNE-BCT-BBE).DWG
ISSUE DATE:	05/01/15
SHEET:	1 OF 1

EXTENET BEACON HILL BOSTON NODE BBH-001

SIDE VIEW



① EXISTING PROFILE - SIDE VIEW
LOOKING SOUTH FROM MT VERNON ST



① PROPOSED PROFILE - SIDE VIEW
LOOKING SOUTH FROM MT VERNON ST

LOCATION:
BOSTON, MA
SUFFOLK COUNTY

NOTES:
EXISTING CITY OF BOSTON
CONCRETE STREET LIGHT
TO BE REMOVED **AFTER**
REPLACEMENT LIGHT HAS
BEEN INSTALLED,
INSPECTED AND POWERED.

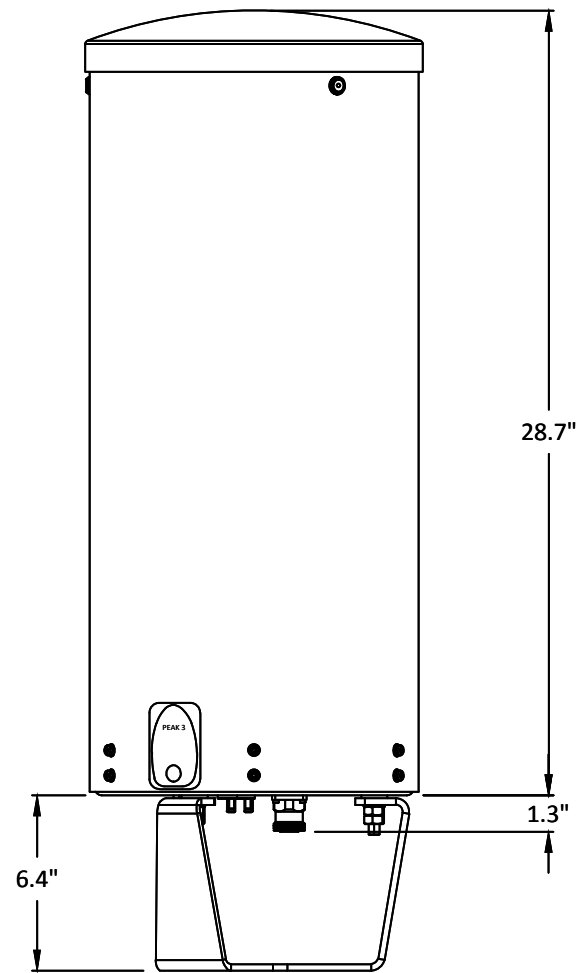
PREPARED FOR:
 YOUR NETWORK EVERYWHERE.
SYSTEMS

PREPARED BY:
 **UC SYNERGETIC**
Innovative Thinking. Engineered Solutions.
21 OXFORD RD
MANSFIELD, MA 02048
www.ucsceng.com 1-508-337-7600

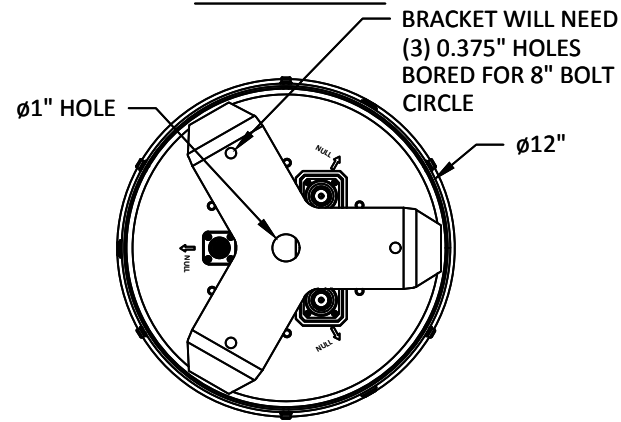
NODE
BBH-001

REVISIONS		
REV	DESCRIPTION	DATE
1	NODE RELOCATION	11/04/15
2	EQUIPMENT CHANGE	12/06/15
3	EQUIPMENT CHANGE	12/22/15
4	EQUIPMENT CHANGE	11/10/16

DRAFTER: SJK
SCALE: 1" = 4'
ISSUE DATE: 10/23/15
INDEX NAME: BBH-001
SHEET #: 2 OF 6

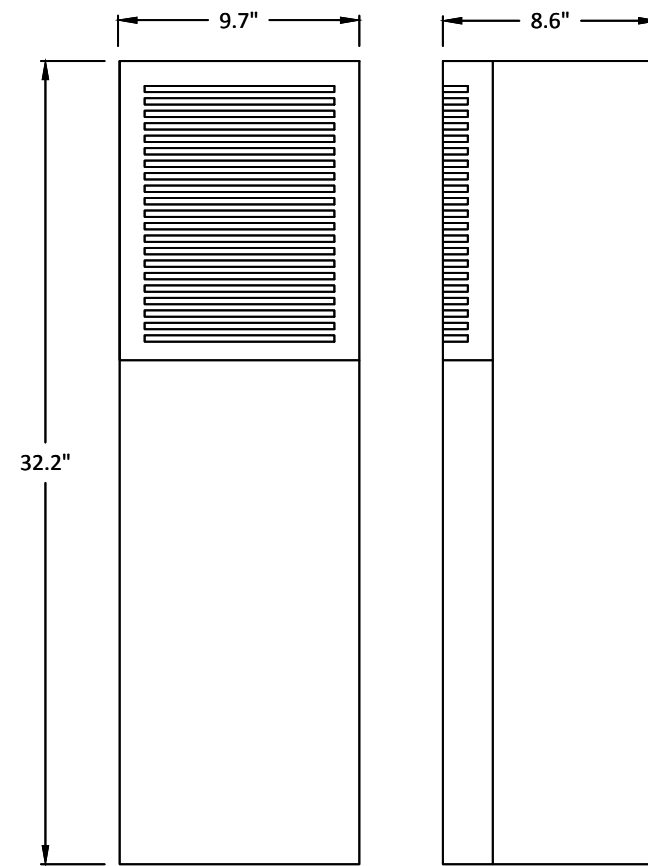


ANTENNA SIDE



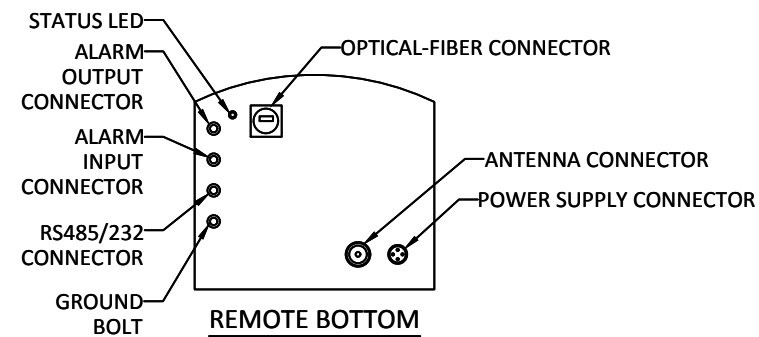
ANTENNA BOTTOM

COMMSCOPE ANTENNA
NH360QS-DG-F0M
 QUASI-OMNI DUAL BAND METRO CELL
 SCALE: NTS



REMOTE FRONT

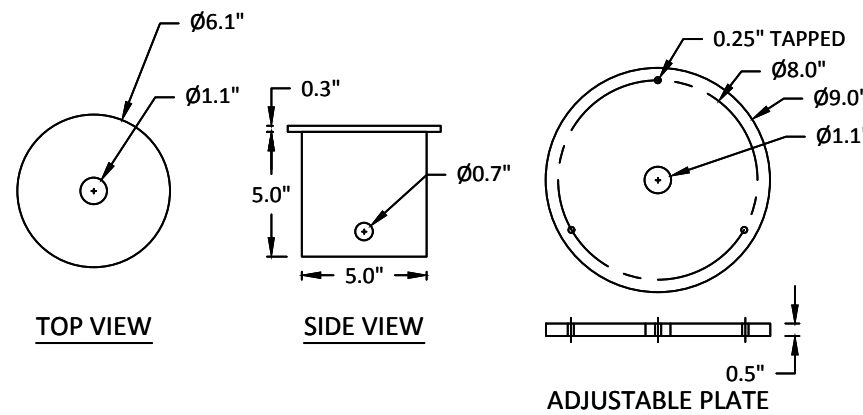
REMOTE SIDE



REMOTE BOTTOM

CORNING ACCESS GX-40
OPTICAL REMOTE UNIT

SCALE: NTS



TOP VIEW

SIDE VIEW

ADJUSTABLE PLATE

CUSTOM ANTENNA MOUNTING BRACKET

SCALE: NTS

LOCATION:
 BOSTON, MA
 SUFFOLK COUNTY

NOTES:

PREPARED FOR:



PREPARED BY:



NODE
 BBH-001

REVISIONS		
REV	DESCRIPTION	DATE
1	NODE RELOCATION	11/04/15
2	EQUIPMENT CHANGE	12/06/15
3	EQUIPMENT CHANGE	12/22/15
4	EQUIPMENT CHANGE	11/10/16

DRAFTER: SJK
 SCALE: NTS
 ISSUE DATE: 10/23/15
 INDEX NAME: BBH-001
 SHEET #: 4 OF 6

BBH-001, MT. VERNON STREET AT DAVID G MUGAR WAY

EXISTING



PROPOSED



BBH-002, PINCKNEY DRIVE AT STORROW DRIVE

EXISTING



PROPOSED



EXISTING



PROPOSED



BBH-006, CHARLES STREET AT SILVER PLACE

EXISTING



PROPOSED



BBH-016, PARK ST AT BEACON ST

EXISTING



PROPOSED



BBH-024, BEAVER PLACE AT DAVID G MUGAR WAY

EXISTING



PROPOSED

