



BACK BAY DISTRIBUTED ANTENNA SYSTEM PROPOSED NODE RELOCATION

NODE BB-02
MASSACHUSETTS AVE AT COMMONWEALTH AVE

Extenet Systems
3030 Warrenville Rd., Suite 340
Lisle, IL 60532

24/7 Network Operations Center
(866) 892-5327

Network Implementation

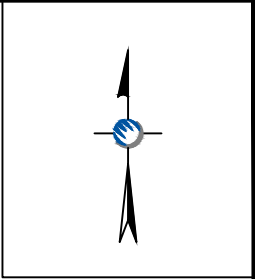
Paul J. Thurston
Director - Network Engineering & Implementation
pthurston@extenetsystems.com
(617)719-5300

SHEET INDEX

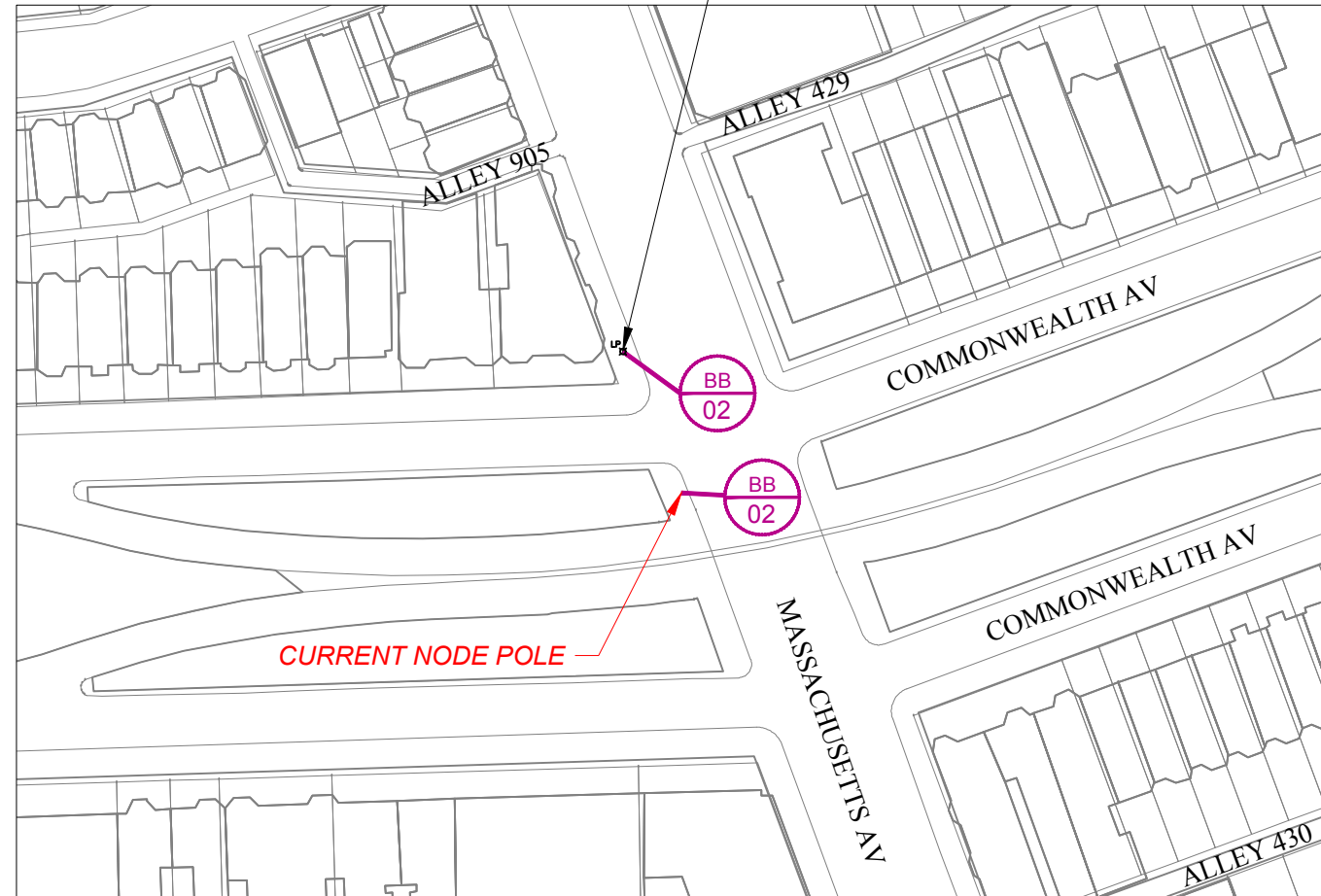
SHEET #	DESCRIPTION
1	COVER SHEET
2	LOCUS MAP
3	NODE ELEVATION & DETAILS
4	PHOTOGRAPHIC SIMULATION

N:\Engineering\Extenet Systems\Back Bay ATT 2013\AutoCAD Files\NODE BB 02 REDO 05-10-17.dwg
05/12/2017

**EXTENET SYSTEMS
CITY OF BOSTON
SUFFOLK COUNTY, MA**



PROPOSED NODE RELOCATION
SEE PRINT 4 FOR DETAIL



LOCATION MAP
LATITUDE: 42.349389° LONGITUDE: -71.088916°
SCALE: N.T.S.

**PROPOSED ANTENNA REPLACEMENT
PROJECT LOCATION - NODE BB-02**
SCALE: N.T.S.

NOTE: EXISTING NODE POLE
TO BE RELOCATED FOR MASS AVE
BRIDGE CONSTRUCTION

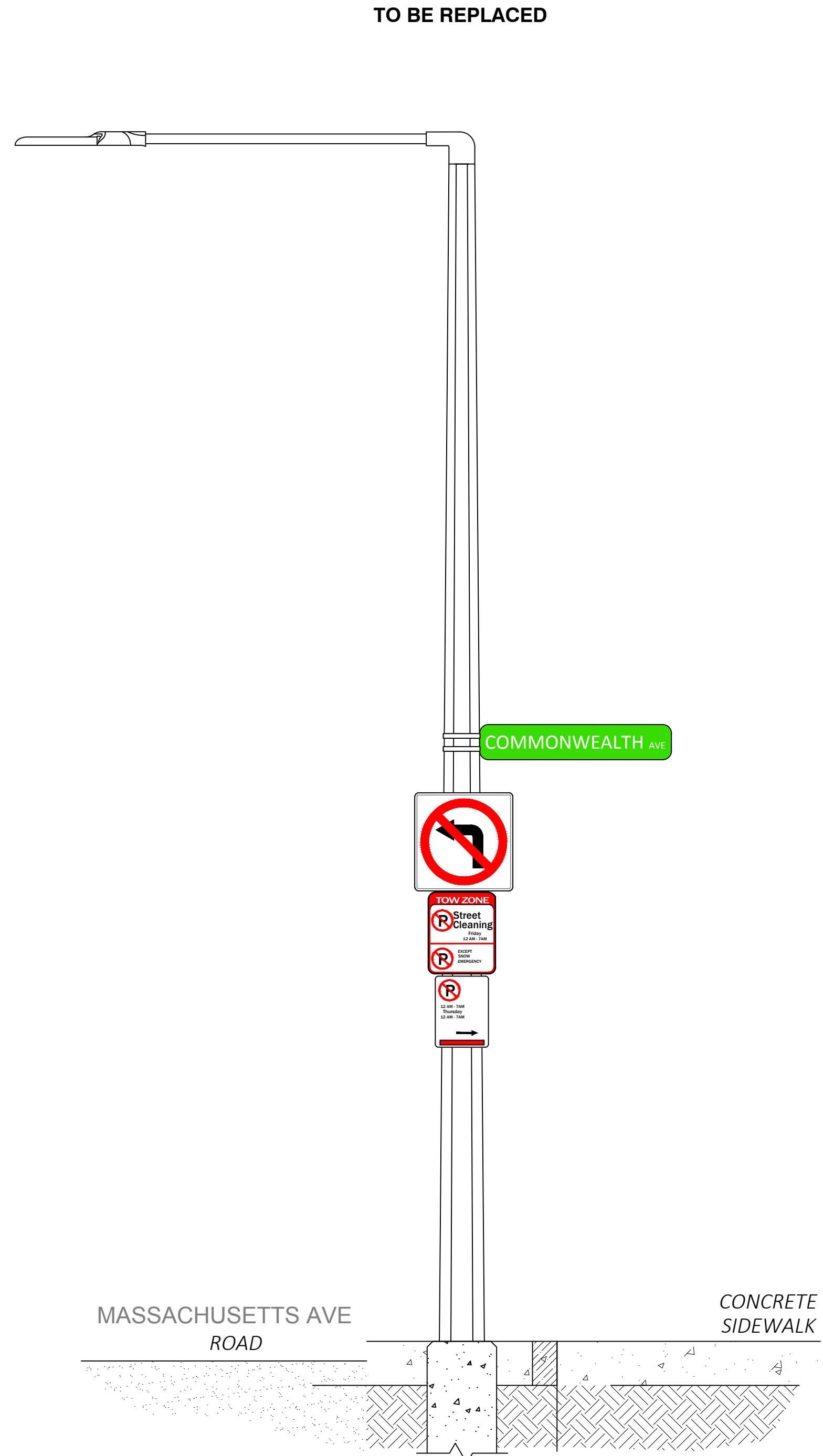
NOTE : BASEMAP FROM CITY OF BOSTON
BOSTON REDEVELOPMENT AUTHORITY
GIS DATA.

PREPARED BY: Innovative Thinking. Engineered Solutions. 21 OXFORD RD MANSFIELD, MA 02048 www.ucslinc.com 1-508-337-7600	MLD MASSACHUSETTS AVE - NODE BB-02 MASSACHUSETTS AVE AT COMMONWEALTH AVE BOSTON, MA
PREPARED FOR: YOUR NETWORK. EVERYWHERE.	POLE INFO: SURVEYED BY: UCS DRAWN BY: BAJ DATE: 05/10/17
	PRINT NO: 2 OF 4 REVISED: SCALE: AS NOTED

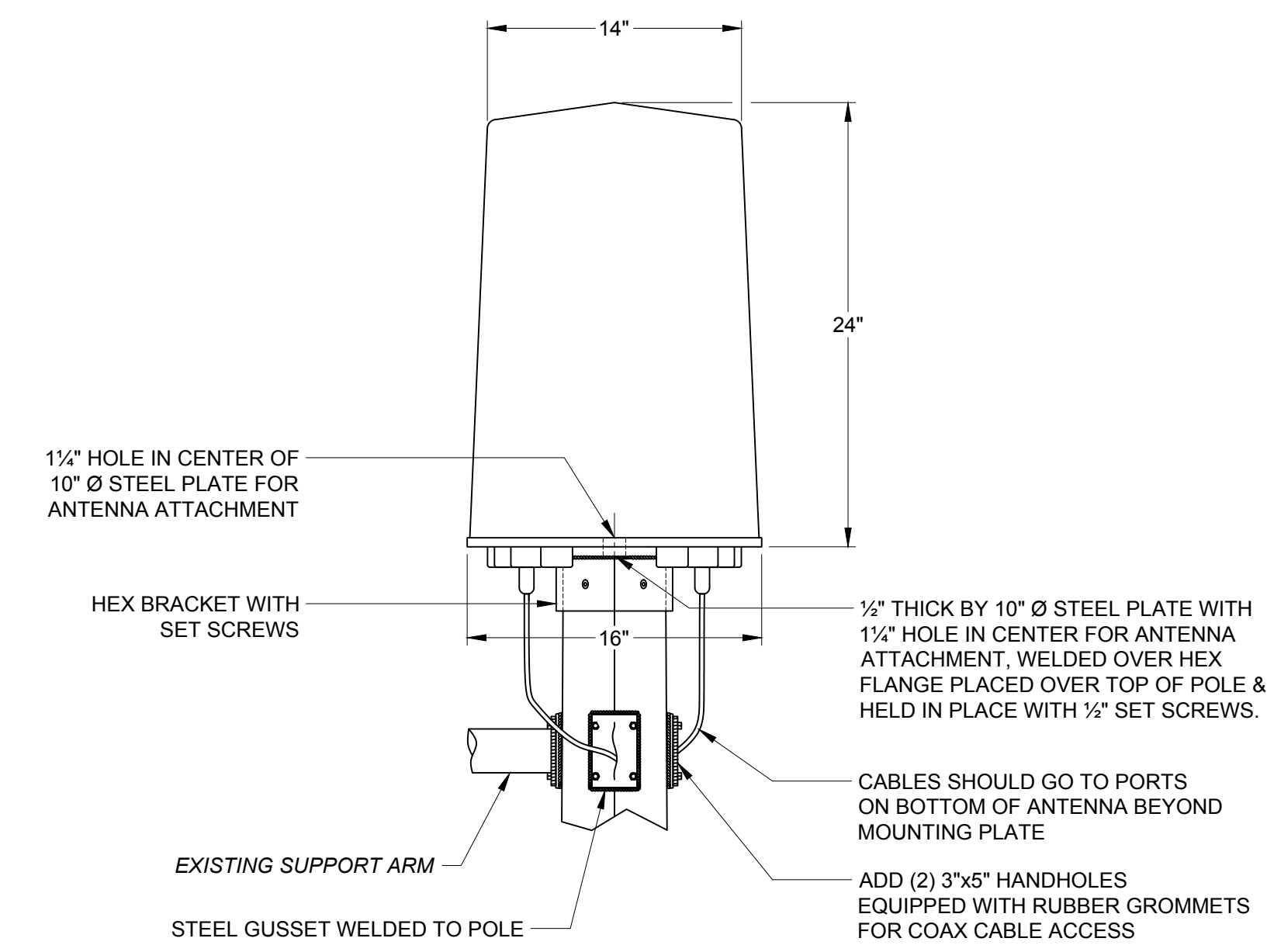
05/12/2017 N:\Engineering\Extenet Systems\Back Bay ATT 2013\AutoCAD Files\NODE BB 02 REDO 05-10-17.dwg

EXTENET BACK BAY DAS NODE BB-02
AT MASSACHUSETTS AVENUE & COMMONWEALTH AVENUE

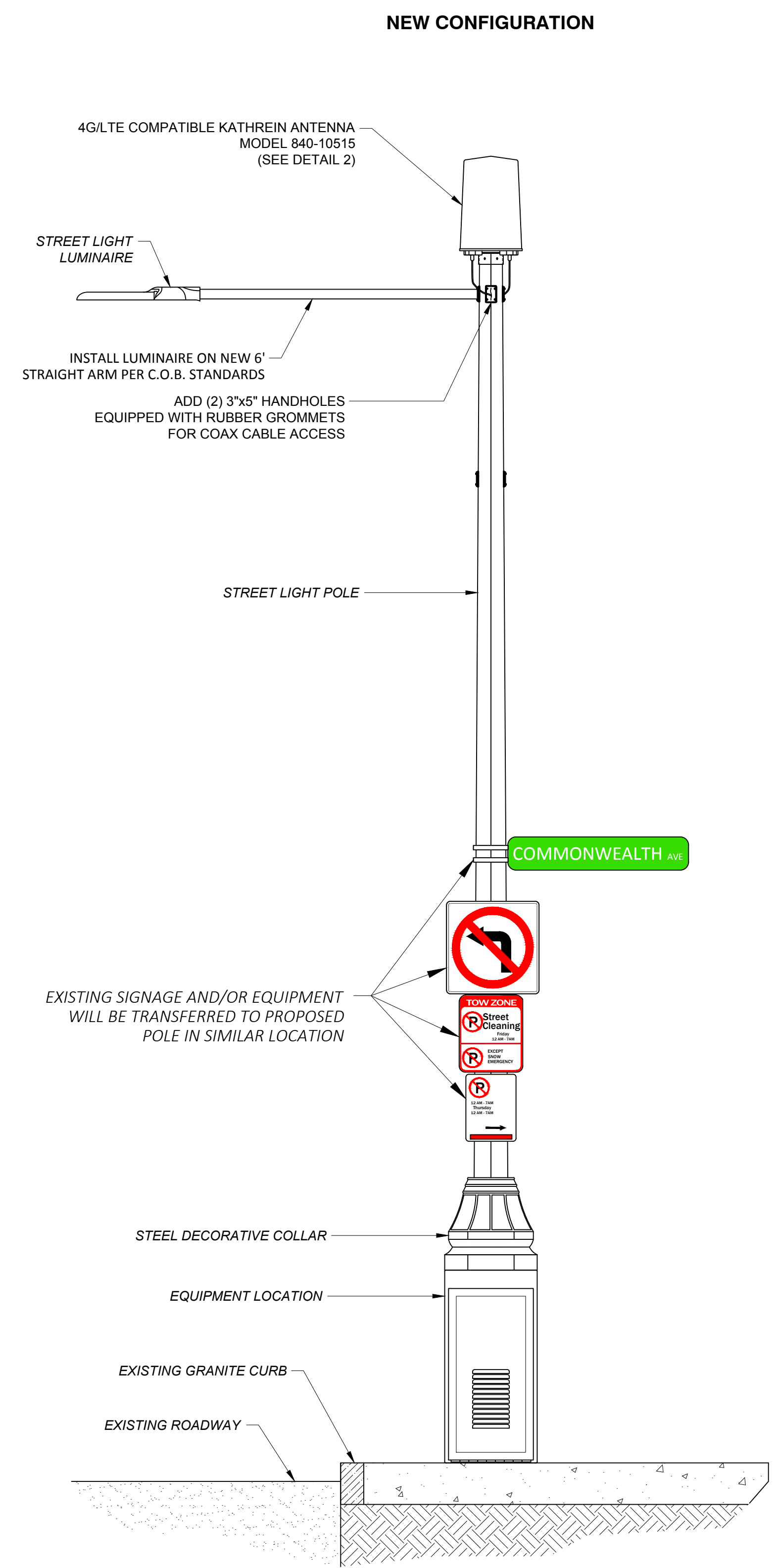
TOWN/COUNTY:
BOSTON, MA
SUFFOLK COUNTY



EXISTING SIDEWALK ELEVATION
SIDE VIEW: NOT TO SCALE



PROPOSED ANTENNA DETAIL
KATHREIN MODEL 840-10515
NOT TO SCALE



PROPOSED SIDEWALK ELEVATION
SIDE VIEW: NOT TO SCALE

NOTES:



PREPARED BY:
UC/SYNERGETIC
Innovative Thinking. Engineered Solutions.
21 OXFORD RD
MANSFIELD, MA 02048
www.ucsync.com 1-508-337-7600

JOB:
BACK BAY DAS
4G/LTE ANTENNA UPGRADE
NODE BB-02

REVISIONS		
REV	DESCRIPTION	DATE

DRAFTER: BAJ
ENGINEER: UCS
SCALE: NTS
DRAWING NAME: NODE BB 02 REDO 05-10-17 DWG
ISSUE DATE: 05/10/17 SHEET: 3 OF 4

05/12/2017 N:\Engineering\Extenet Systems\Back Bay ATT 2013\AutoCAD Files\NODE BB 02 REDO 05-10-17.dwg

N:\Engineering\Extenet Systems\Back Bay ATT 2013\AutoCAD Files\MODE BB 02 REDO 05-10-17.dwg



EXISTING PHOTOGRAPHIC VIEW



PROPOSED PHOTOGRAPHIC SIMULATION

TOWN/COUNTY: BOSTON, MA
SUFFOLK COUNTY

NOTES:

PREPARED FOR:
extenet SYSTEMS
YOUR NETWORK. EVERYWHERE.

PREPARED BY:
UC SYNERGETIC
Innovative Planning. Engineered Solutions.
21 OXFORD RD
MANSFIELD, MA 02048
www.ucsync.com 1-508-337-7600

JOB:
BACK BAY DAS
PHOTOSIM
NODE BB-02

REVISIONS		
REV	DESCRIPTION	DATE

DRAFTER:	BAJ
ENGINEER:	UCS
SCALE:	NTS
DRAWING NAME:	NODE BB 02 REDO 05-10-17.DWG
ISSUE DATE:	05/10/17
SHEET:	4 OF 4